



US00D483241S

(12) **United States Design Patent**
Miller et al.

(10) **Patent No.:** **US D483,241 S**

(45) **Date of Patent:** **** Dec. 9, 2003**

(54) **TOOLHOLDER TIGHTENING FIXTURE**

(75) Inventors: **Harry A. Miller**, Greensburg, PA (US);
Raymond L. Miller, Mount Pleasant,
PA (US); **Edward P. Miller**,
Greensburg, PA (US)

(73) Assignee: **Data Machine, Inc.**, Adamsburg, PA
(US)

(**) Term: **14 Years**

(21) Appl. No.: **29/160,094**

(22) Filed: **May 6, 2002**

(51) **LOC (7) Cl.** **08-05**

(52) **U.S. Cl.** **D8/71**

(58) **Field of Search** D8/71, 14.1, 64,
D8/66, 70, 72, 73, 74, 349, 354, 373; D15/130,
132, 138, 139, 140, 141; 33/474, 533, 613;
81/177.1, 177.4, 437, 438, 439, 490; 82/161;
83/581, 760, 762, 763, 764, 766; 142/48,
49, 55; 211/60.1, 70.6; 248/80, 153, 175,
176.1, 201, 304, 309.1, 312, 312.1, 315,
316.8; 269/41, 42, 283; 73/862.21

(56) **References Cited**

U.S. PATENT DOCUMENTS

D30,321 S	*	3/1899	Smith	D8/71
1,694,474 A	*	12/1928	Lainer	269/283
1,983,050 A		12/1934	Sizer		
2,308,340 A		1/1943	Newlon		
2,962,919 A	*	12/1960	Grundmann et al.	269/283
3,798,765 A	*	3/1974	Mattsson	269/283
D247,420 S	*	3/1978	Reynolds	D8/373
D262,237 S		12/1981	Stauber		
4,597,695 A	*	7/1986	Johnson	D8/70

D290,220 S	*	6/1987	Eckman	D8/71
D308,690 S	*	6/1990	Andersson et al.	D15/140
5,109,706 A		5/1992	Mogilnicki		
D329,182 S	*	9/1992	Challis	D8/71
D339,277 S	*	9/1993	Snider	D8/71
D342,882 S		1/1994	Mann et al.		
D344,672 S	*	3/1994	Current	D8/373
D348,196 S	*	6/1994	Forsberg	D8/72
5,335,556 A		8/1994	Mogilnicki		
D392,866 S	*	3/1998	Degen et al.	D8/71
6,044,681 A		4/2000	Frenken		
6,561,471 B1	*	5/2003	Hawie	248/201

* cited by examiner

Primary Examiner—Doris V. Coles

Assistant Examiner—T. Chase Nelson

(74) *Attorney, Agent, or Firm*—Joseph Scafetta, Jr.

(57) **CLAIM**

The ornamental design for a toolholder tightening fixture, as shown and described.

DESCRIPTION

FIG. 1 is a front view of a toolholder tightening fixture showing our new design;
FIG. 2 is a rear view thereof;
FIG. 3 is a right side view thereof;
FIG. 4 is a left side view thereof;
FIG. 5 is a top plan view thereof;
FIG. 6 is a bottom plan view thereof;
FIG. 7 is a top front perspective view thereof; and,
FIG. 8 is a top rear perspective view thereof.
The broken line showing of environmental structure is for illustrative purposes only and forms no part of the claimed design.

1 Claim, 4 Drawing Sheets

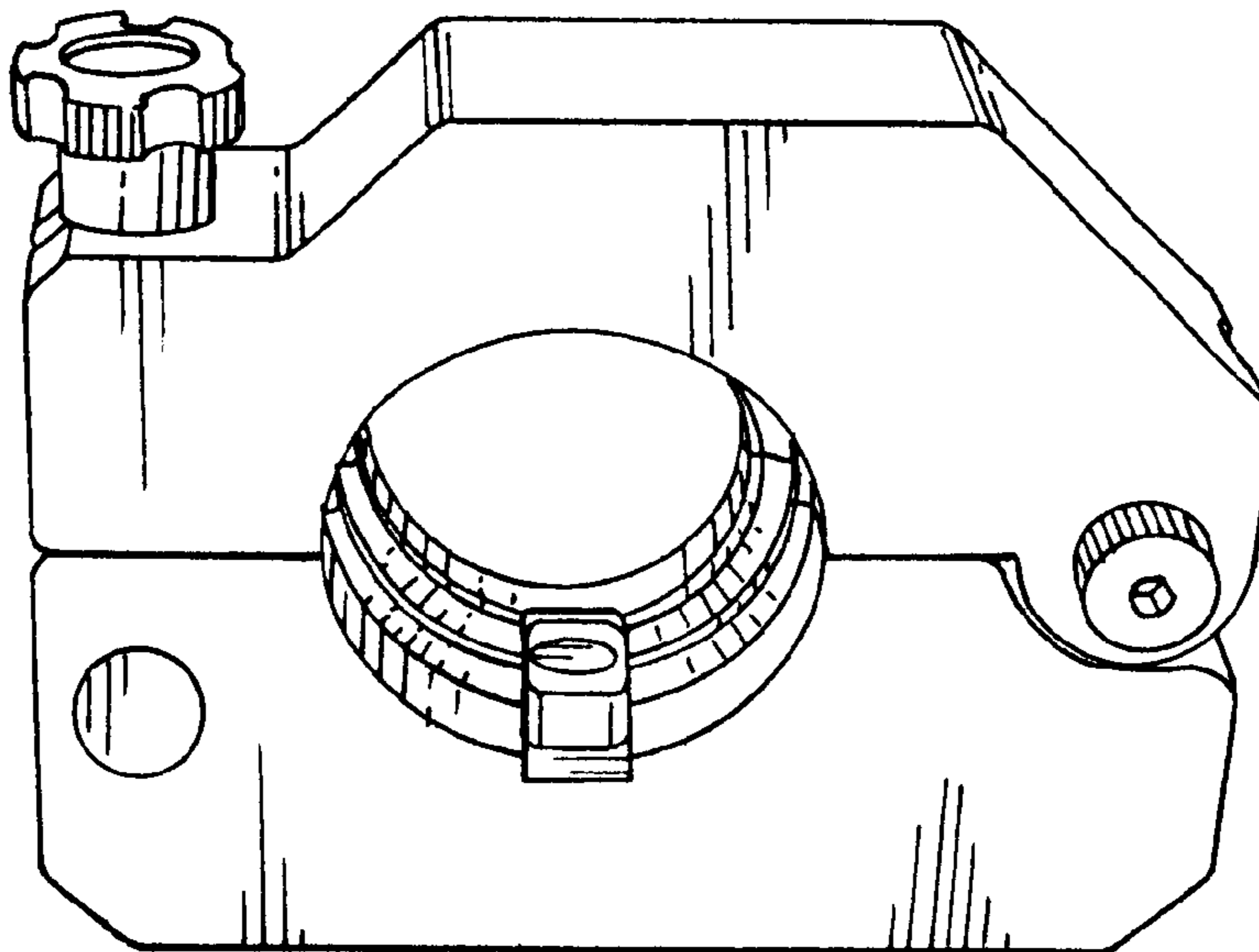


Fig. 1

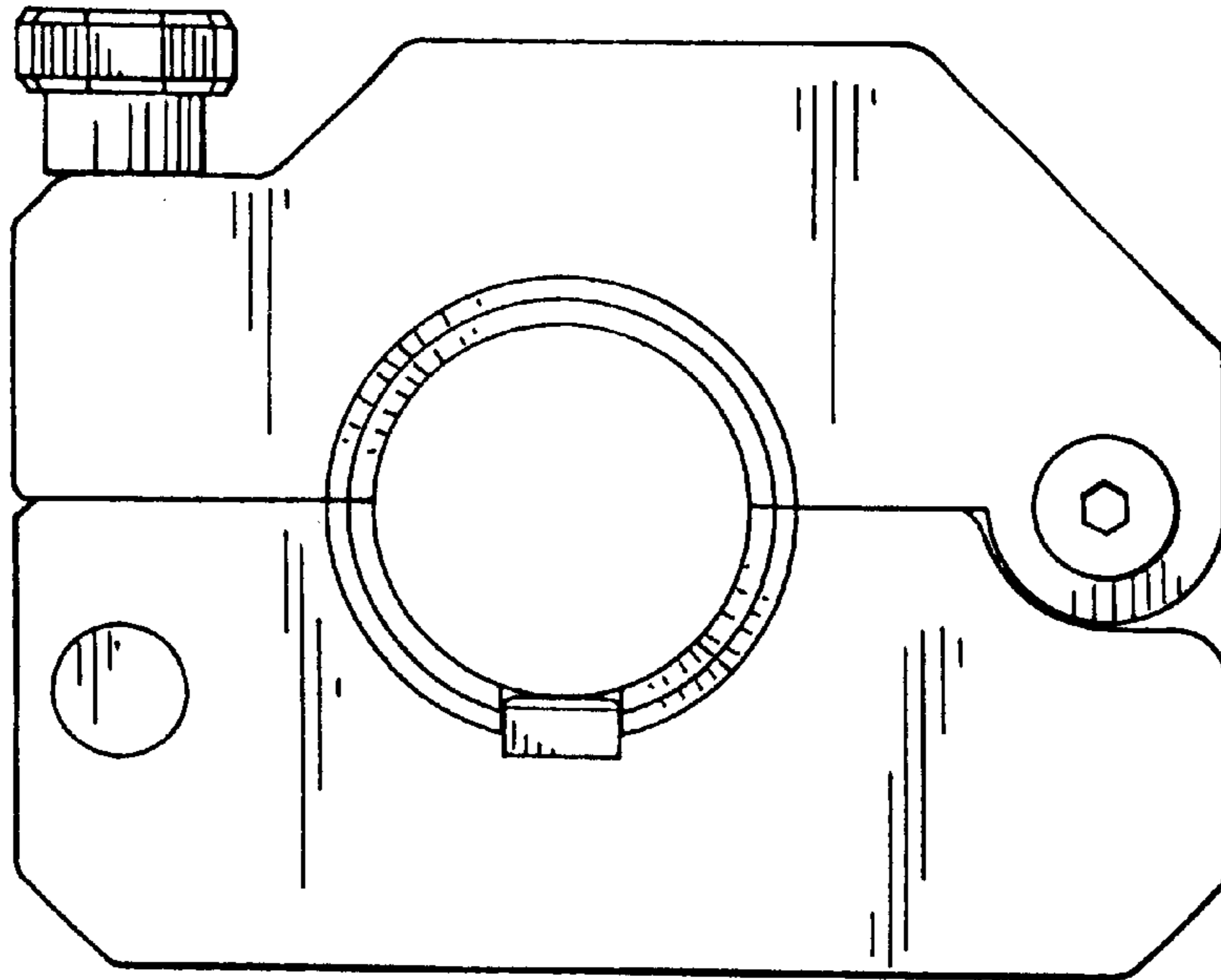
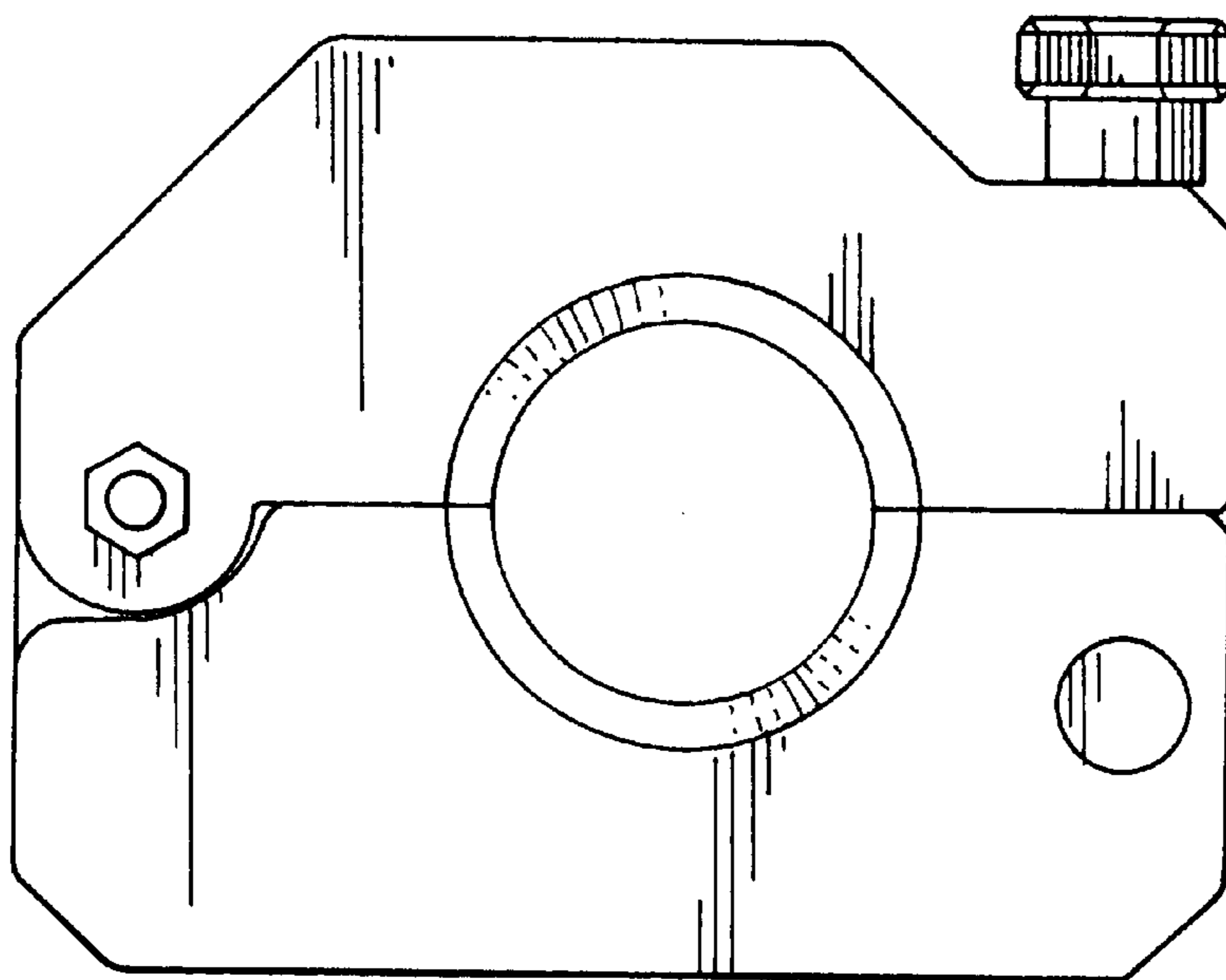


Fig. 2



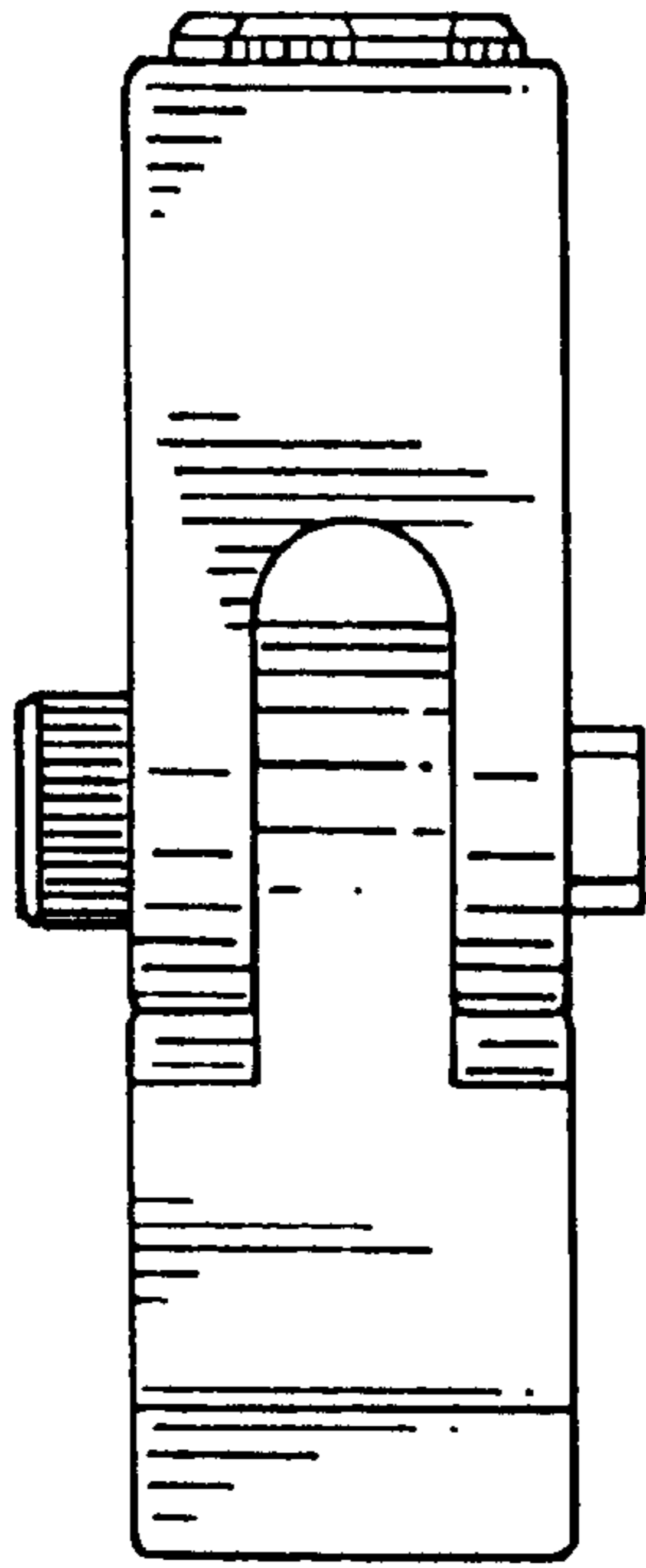


Fig. 3

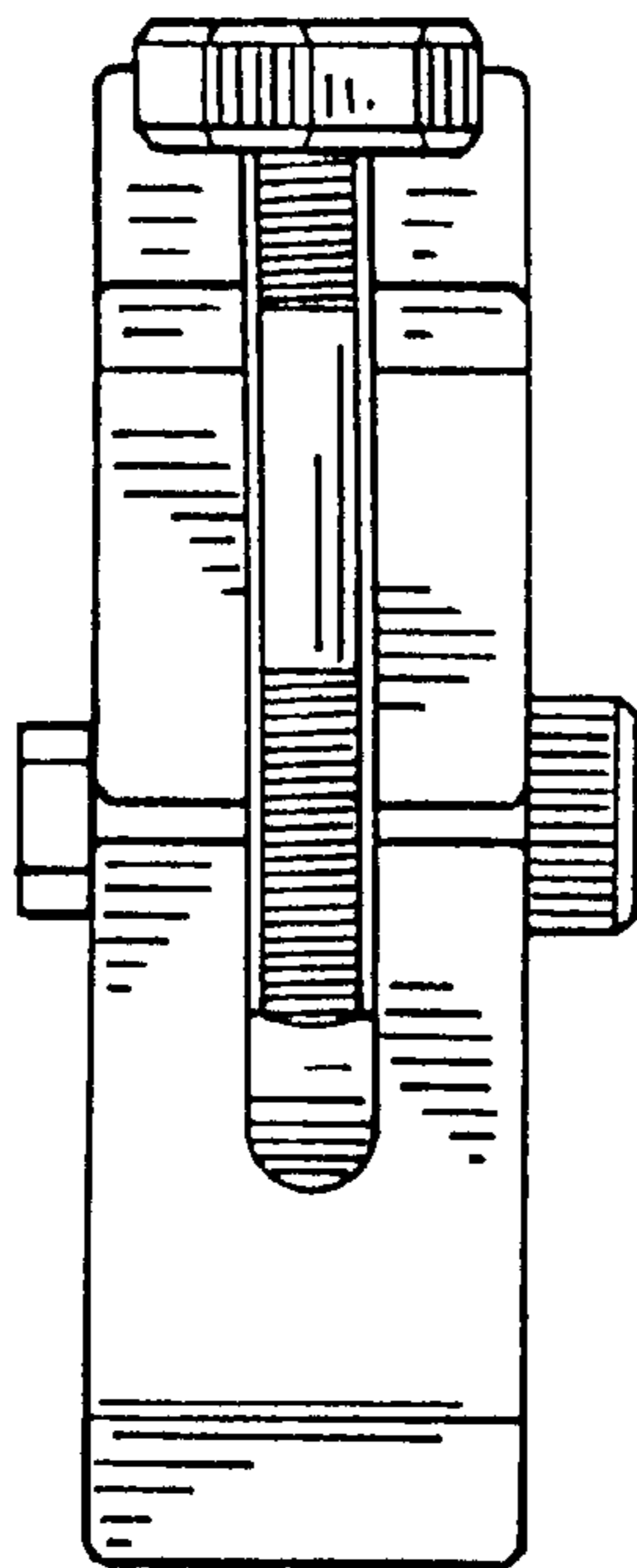


Fig. 4

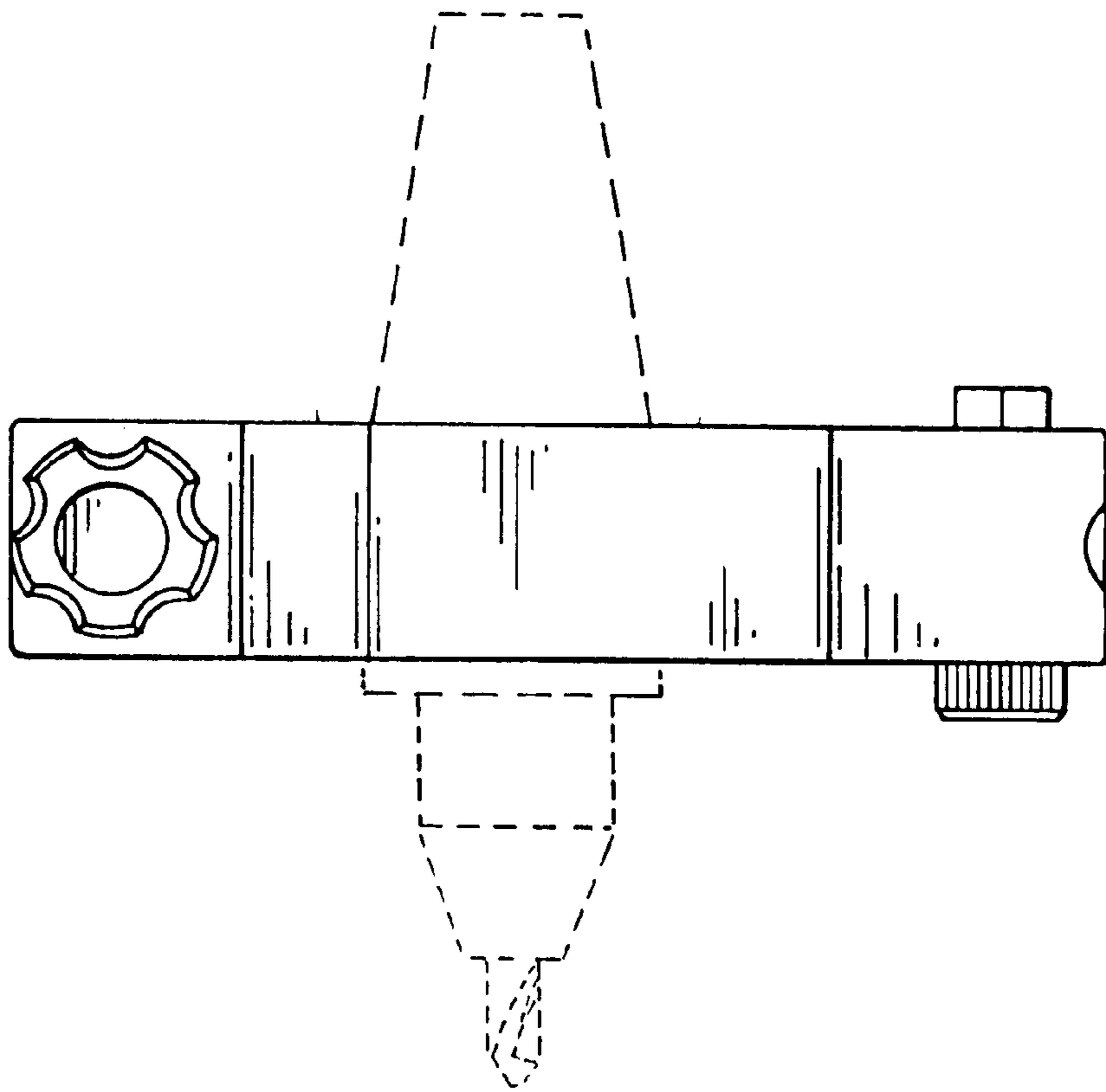


Fig. 5

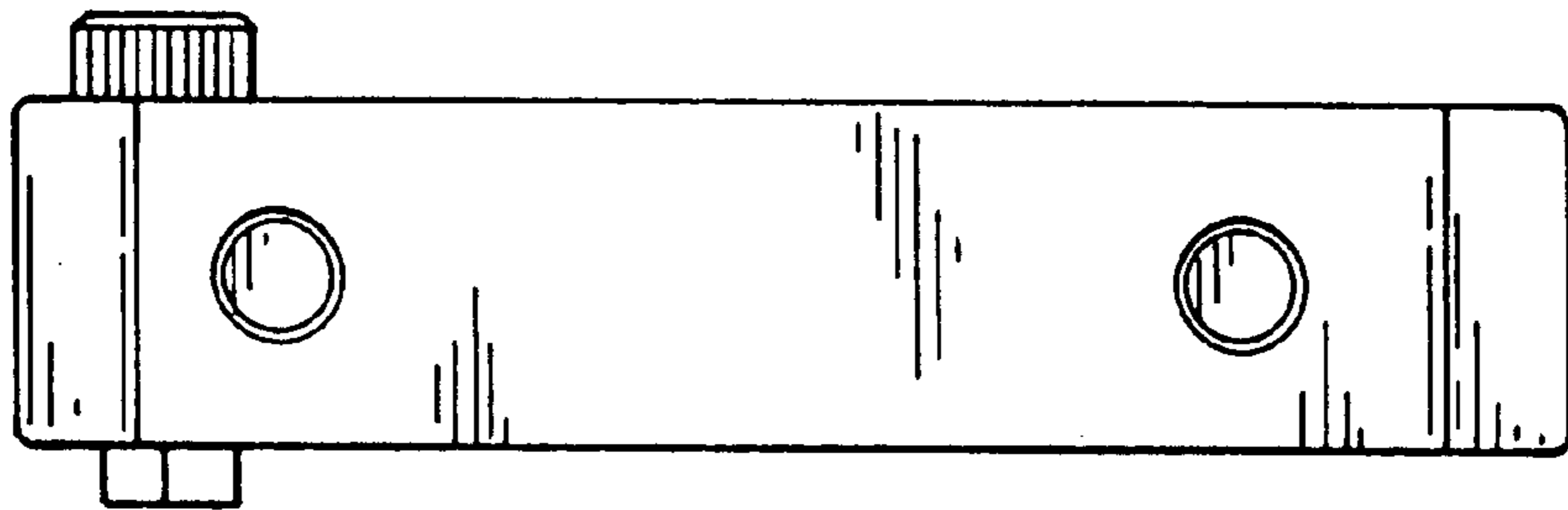


Fig. 6

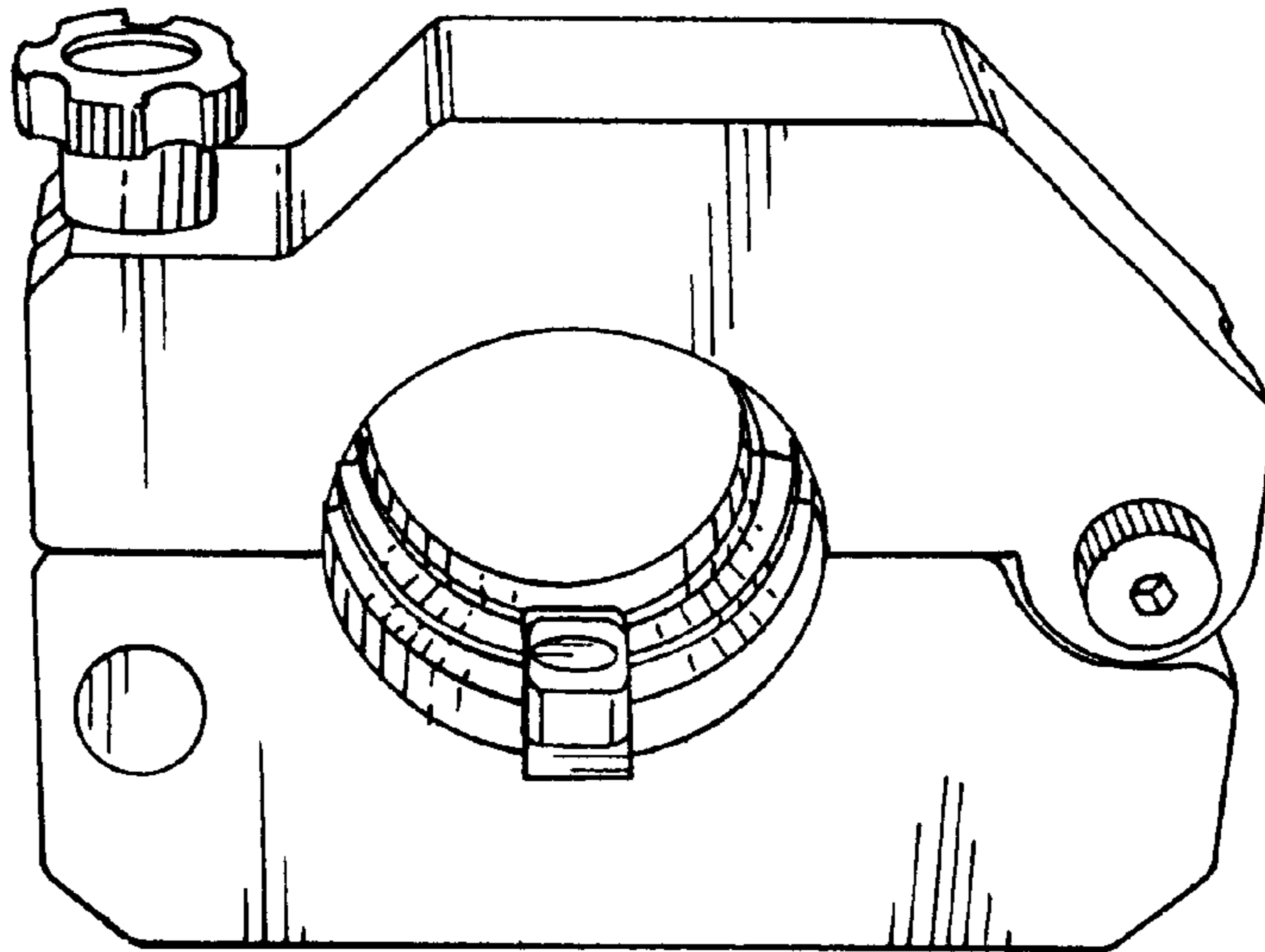


Fig. 7

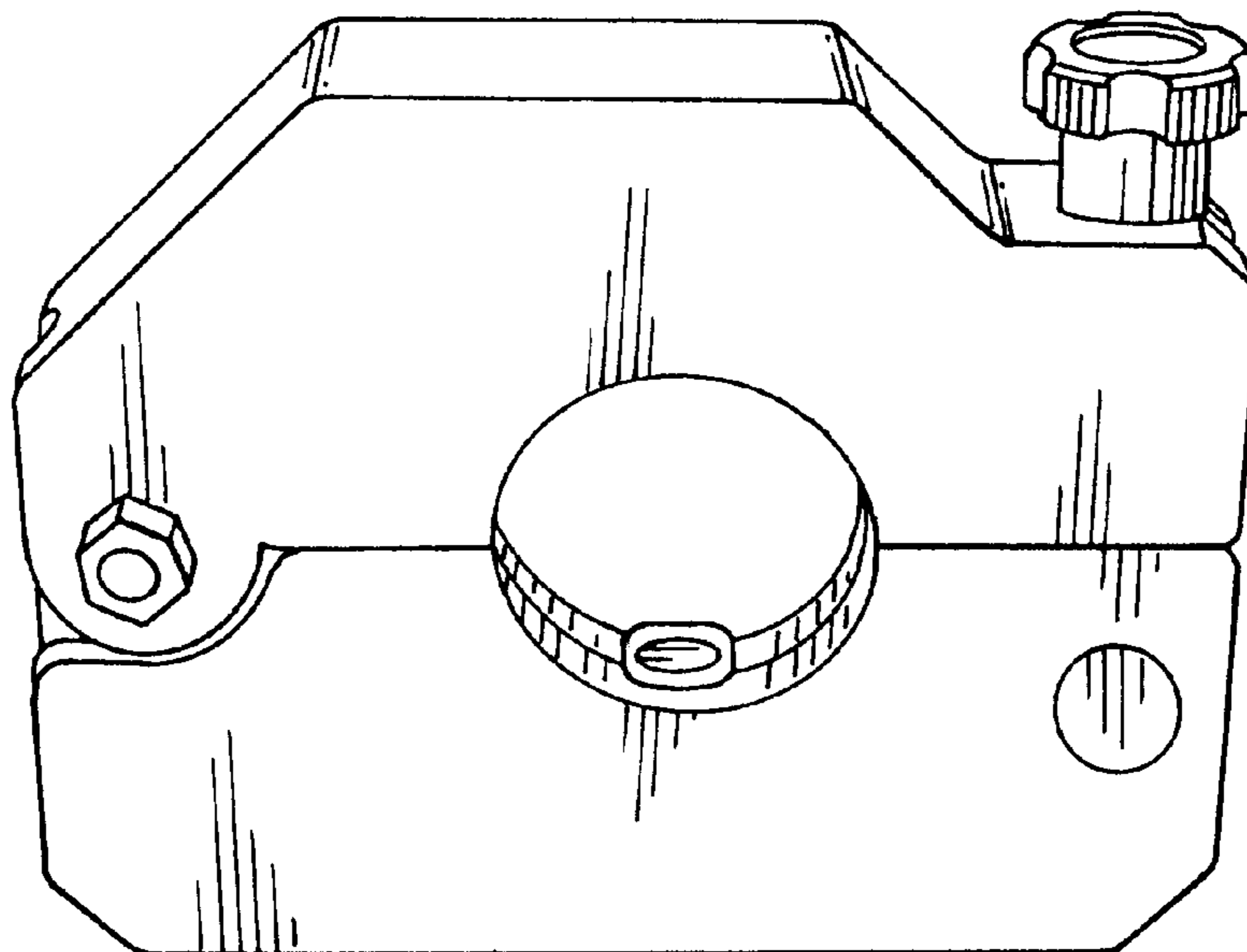


Fig. 8