



US00D483240S

(12) **United States Design Patent**  
**Garvis et al.**

(10) **Patent No.:** **US D483,240 S**

(45) **Date of Patent:** **\*\* Dec. 9, 2003**

(54) **HAND HELD NAILER**

(75) Inventors: **Conrad A. Garvis**, Mason, OH (US);  
**Paul Patterson**, Cincinnati, OH (US);  
**Kenneth P. Richied**, Liberty Township,  
OH (US); **John T. Burke**,  
Williamsburg, OH (US)

(73) Assignee: **Senco Products, Inc.**, Cincinnati, OH  
(US)

(\*\*) Term: **14 Years**

(21) Appl. No.: **29/154,954**

(22) Filed: **Feb. 1, 2002**

(51) **LOC (7) Cl.** ..... **08-05**

(52) **U.S. Cl.** ..... **D8/68**

(58) **Field of Search** ..... D8/61, 62, 63,  
D8/64, 65, 66, 67, 68, 69, 70; 81/57.11,  
429, 464, 465, 466, 469, 489; 173/13, 169,  
178, 213, 217; 227/8, 114, 120, 130, 136,  
142; 310/50; 408/20, 124, 125, 234, 241 R;  
451/358

(56) **References Cited**

**U.S. PATENT DOCUMENTS**

D221,206 S	*	7/1971	Yran	.....	D8/68
3,699,366 A	*	10/1972	Wood	.....	310/50
3,724,237 A	*	4/1973	Wood	.....	81/489
D246,946 S		1/1978	Schultz	.....	D8/68
D256,771 S	*	9/1980	Kitagawa et al.	.....	D8/68
D260,354 S		8/1981	Proops et al.	.....	D8/61
4,730,134 A	*	3/1988	Sistare	.....	310/50
D337,710 S		7/1993	Lui et al.	.....	D8/68
5,447,205 A	*	9/1995	Thurler	.....	173/217
5,653,294 A	*	8/1997	Thurler	.....	81/489
D394,995 S	*	6/1998	Cooper	.....	D8/68

D415,002 S		10/1999	Rogers et al.	.....	D8/69
D416,182 S		11/1999	Kaiser et al.	.....	D8/61
D416,775 S		11/1999	Hwang et al.	.....	D8/69
5,984,022 A	*	11/1999	Harman, Jr. et al.	.....	81/57.11
D420,878 S		2/2000	Li	.....	D8/69
6,124,652 A	*	9/2000	Karasa et al.	.....	310/50
D435,206 S	*	12/2000	Etter et al.	.....	D8/68
D440,136 S	*	4/2001	Buck	.....	D8/68
D461,694 S	*	8/2002	Buck	.....	D8/68

\* cited by examiner

*Primary Examiner*—Doris V. Coles

*Assistant Examiner*—T. Chase Nelson

(74) *Attorney, Agent, or Firm*—Frost Brown Todd LLC

(57) **CLAIM**

The ornamental design for a hand held nailer, as shown and described.

**DESCRIPTION**

FIG. 1 is a perspective view of a hand held nailer showing our new design.

FIG. 2 is a left side elevational view of the hand held nailer shown in FIG. 1.

FIG. 3 is a right side elevational view of the hand held nailer shown in FIG. 1.

FIG. 4 is a top view of the hand held nailer shown in FIG. 1.

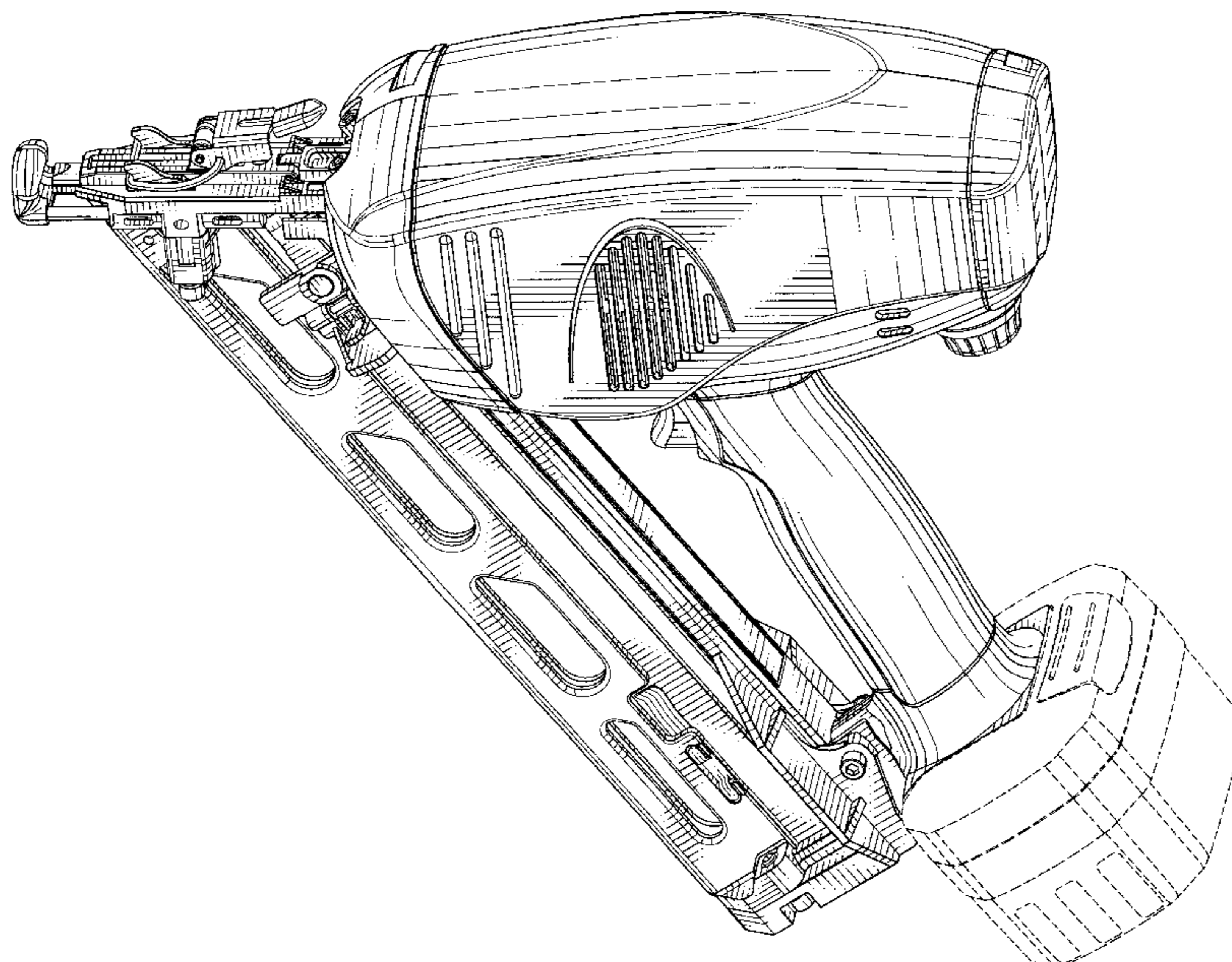
FIG. 5 is a bottom view of the hand held nailer shown in FIG. 1.

FIG. 6 is a rear elevational view of the hand held nailer shown in FIG. 1; and,

FIG. 7 is a front elevational view of the hand held nailer shown in FIG. 1.

The broken lines in the drawings are for illustrative purposes only and form no part of the claimed design.

**1 Claim, 5 Drawing Sheets**



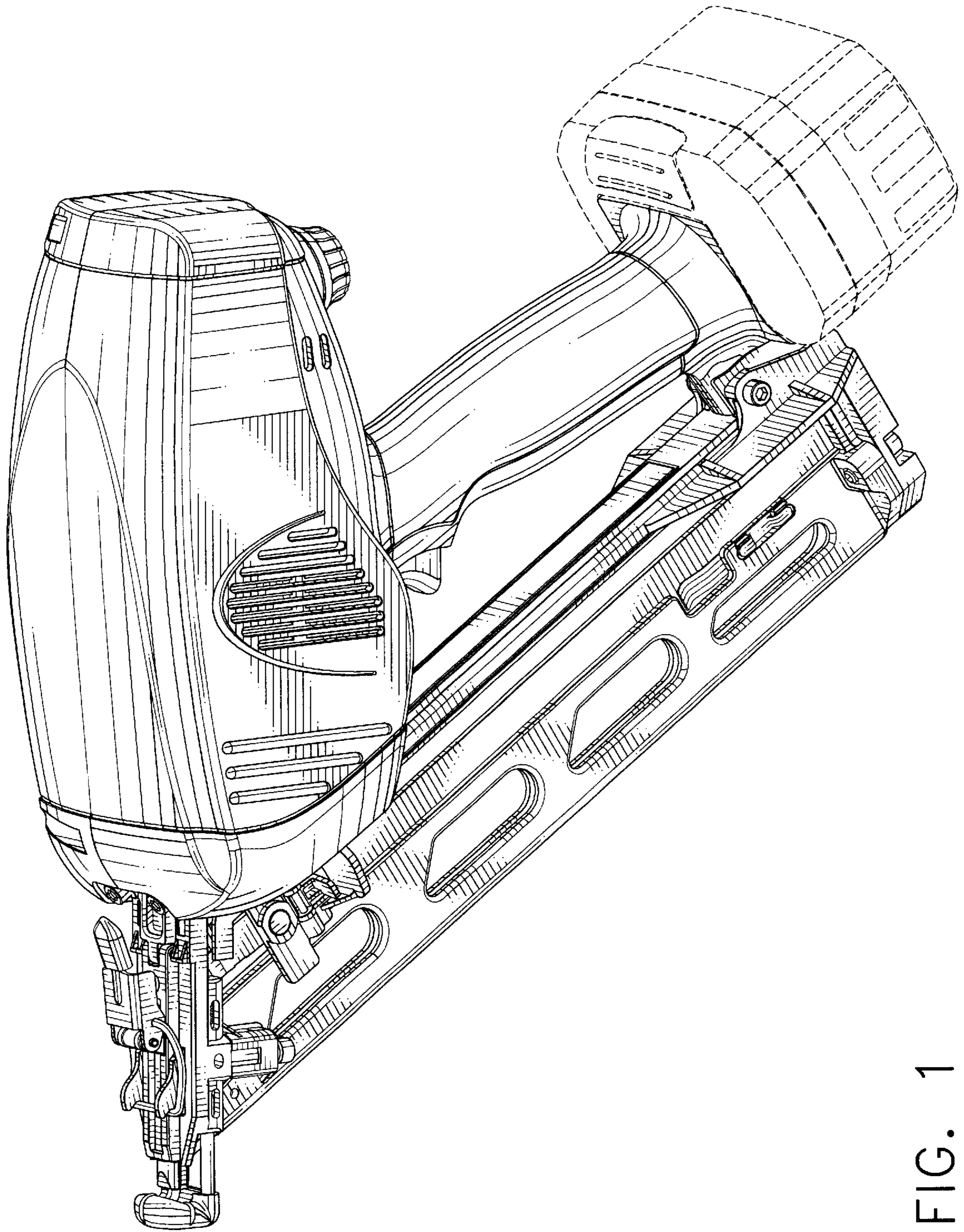


FIG. 1

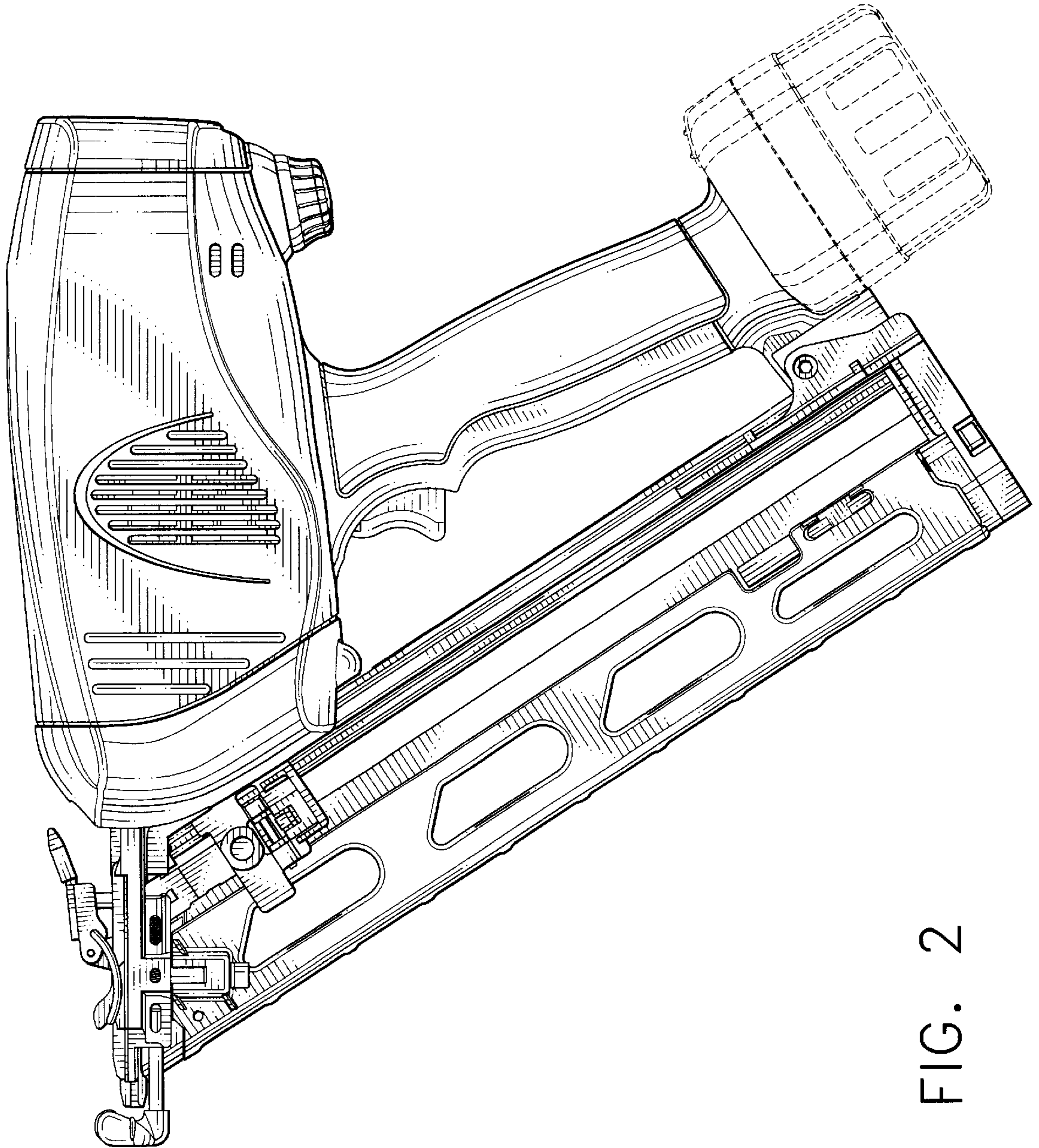


FIG. 2

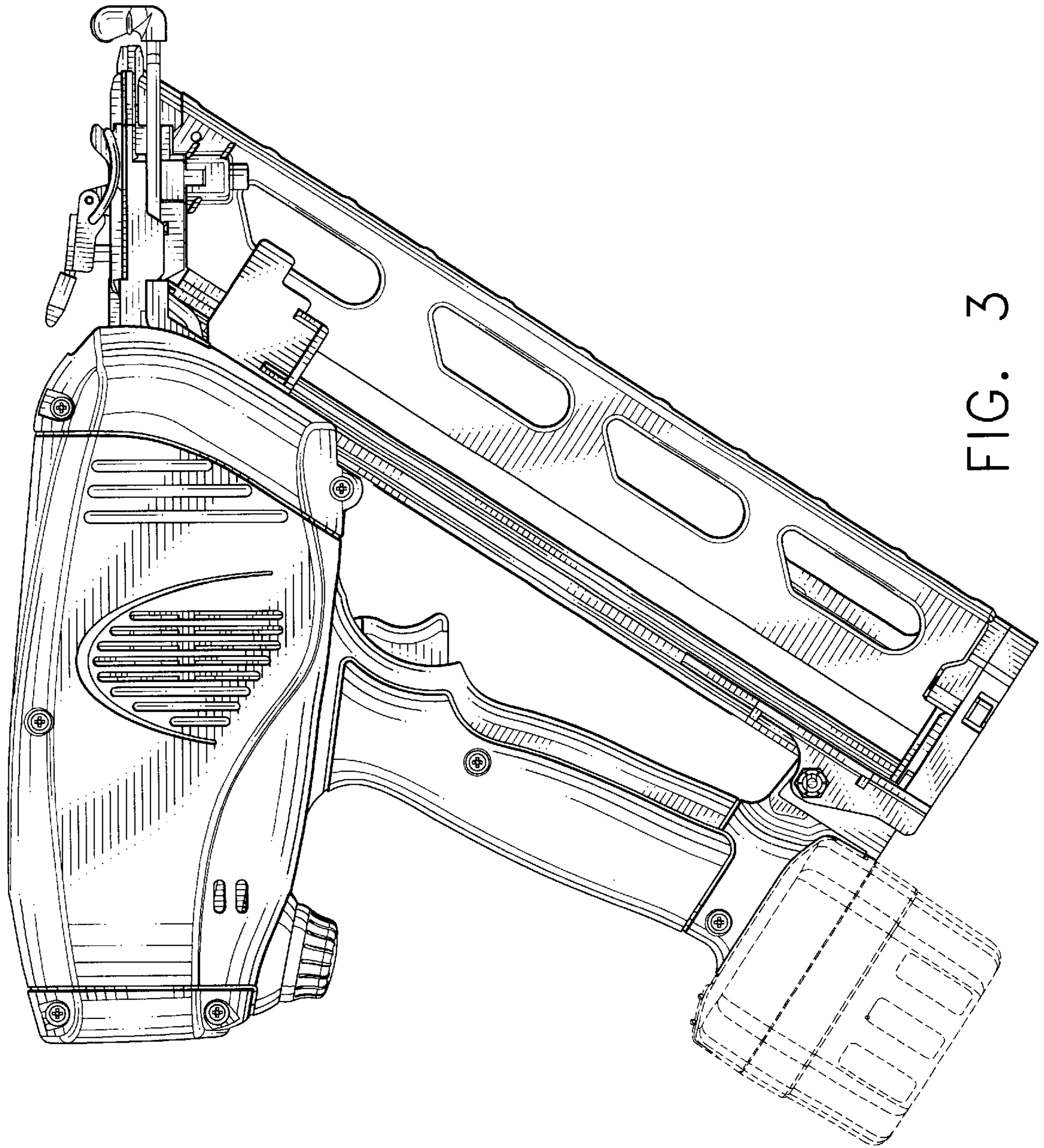


FIG. 3

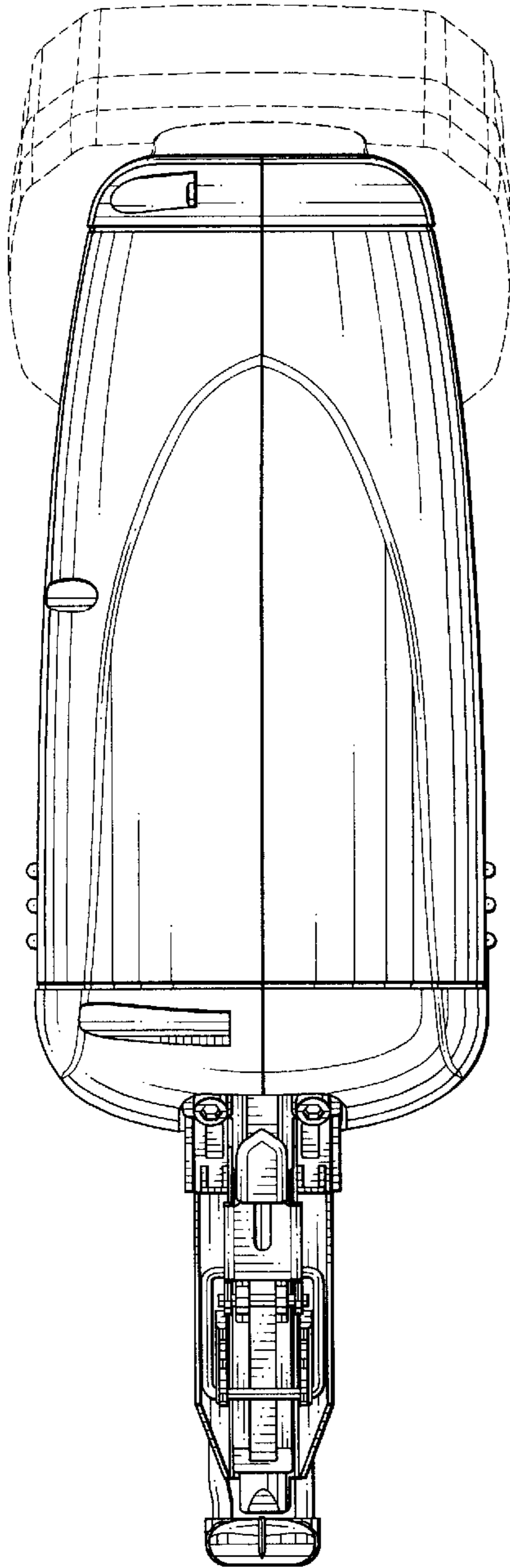


FIG. 4

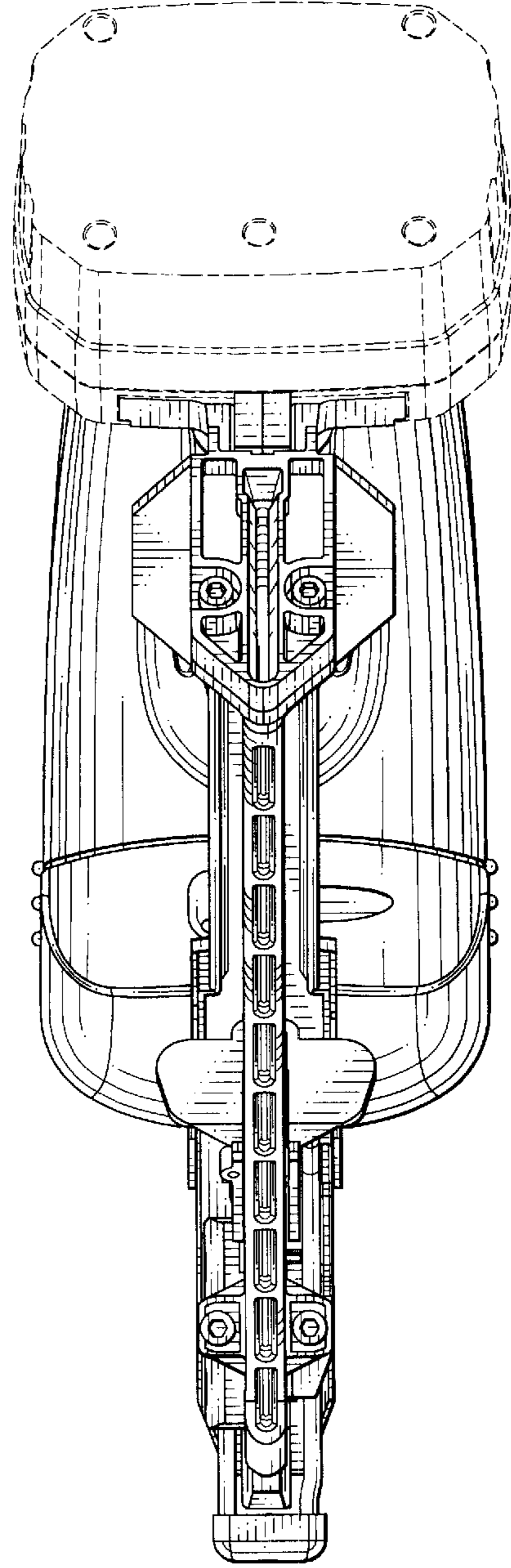


FIG. 5

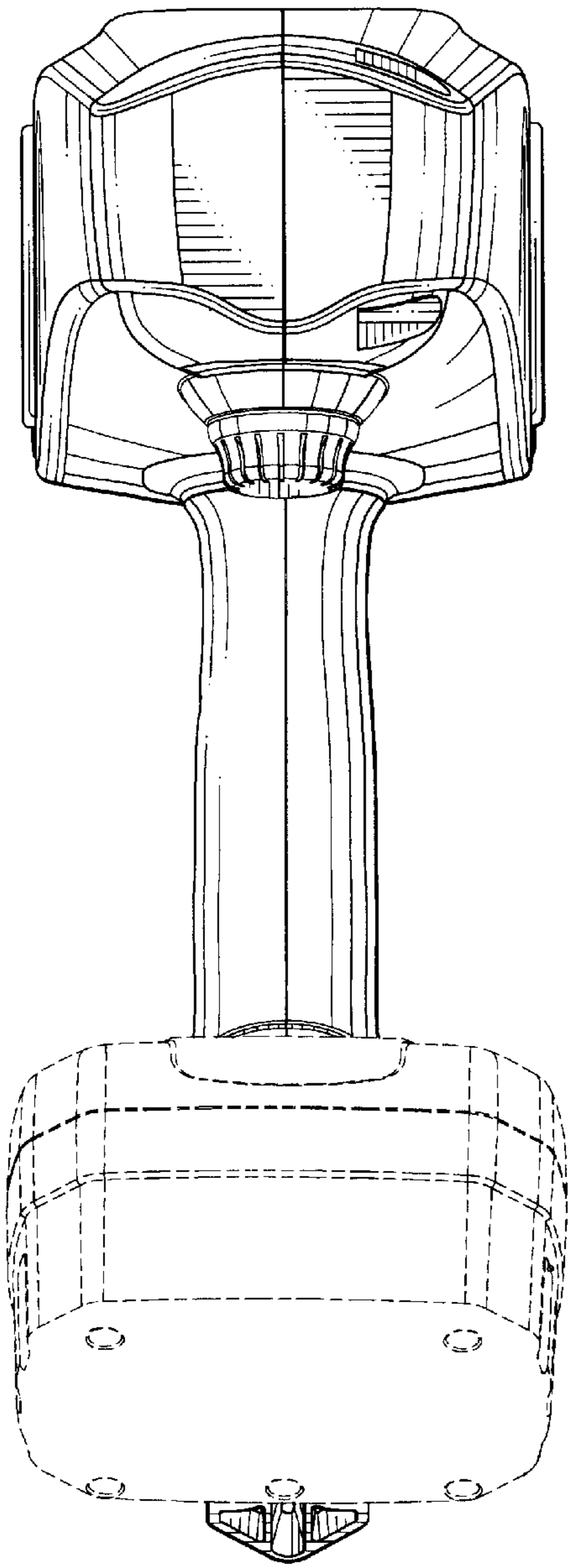


FIG. 6

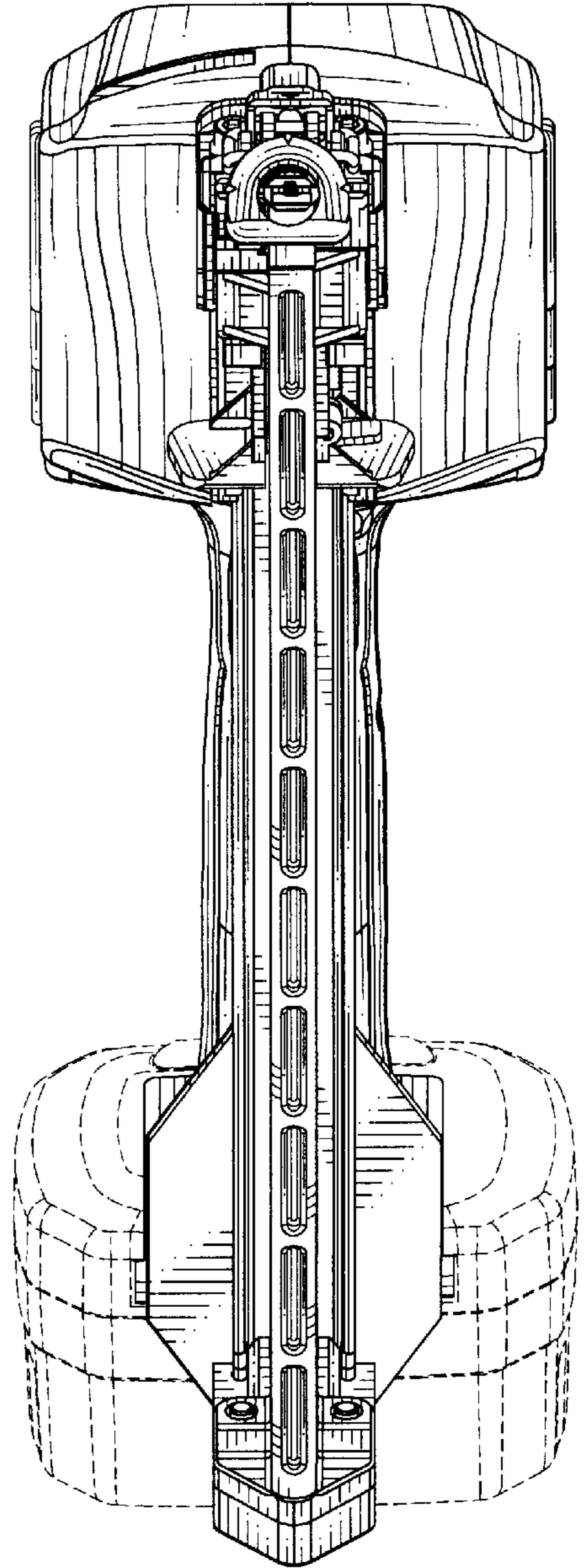


FIG. 7