



US00D483236S

(12) **United States Design Patent**
Martin et al.

(10) **Patent No.:** **US D483,236 S**

(45) **Date of Patent:** **** Dec. 9, 2003**

(54) **FILAMENT TRIMMER**

DESCRIPTION

(75) Inventors: **David J. Martin**, Eden Prairie, MN (US); **Chadwick A. Shaffer**, Oakdale, MN (US)

(73) Assignee: **The Toro Company**, Bloomington, MN (US)

(**) Term: **14 Years**

(21) Appl. No.: **29/173,775**

(22) Filed: **Jan. 6, 2003**

(51) **LOC (7) Cl.** **08-01**

(52) **U.S. Cl.** **D8/8**

(58) **Field of Search** D8/1, 8, 9; 30/276; 56/12.7; 172/13, 15, 17

(56) **References Cited**

U.S. PATENT DOCUMENTS

D382,450 S	*	8/1997	Meisner et al.	D8/8
D440,131 S	*	4/2001	Aglassinger et al.	D8/8
D456,675 S	*	5/2002	Jong	D8/8
D463,722 S	*	10/2002	Robson	D8/8

* cited by examiner

Primary Examiner—Robin V. Taylor

(74) *Attorney, Agent, or Firm*—James W. Miller

(57) **CLAIM**

The ornamental design for a filament trimmer, as shown and described.

FIG. 1 is a perspective view of a first embodiment of a filament trimmer showing our new design;

FIG. 2 is a front elevational view of the invention illustrated in FIG. 1;

FIG. 3 is a left elevational view of the invention illustrated in FIG. 1;

FIG. 4 is a right elevational view of the invention illustrated in FIG. 1;

FIG. 5 is a back elevational view of the invention illustrated in FIG. 1;

FIG. 6 is a top plan view of the invention illustrated in FIG. 1;

FIG. 7 is a bottom plan view of the invention illustrated in FIG. 1.

FIG. 8 is a perspective view of a second embodiment of a filament trimmer showing our new design;

FIG. 9 is a front elevational view of the invention illustrated in FIG. 8;

FIG. 10 is a left elevational view of the invention illustrated in FIG. 8;

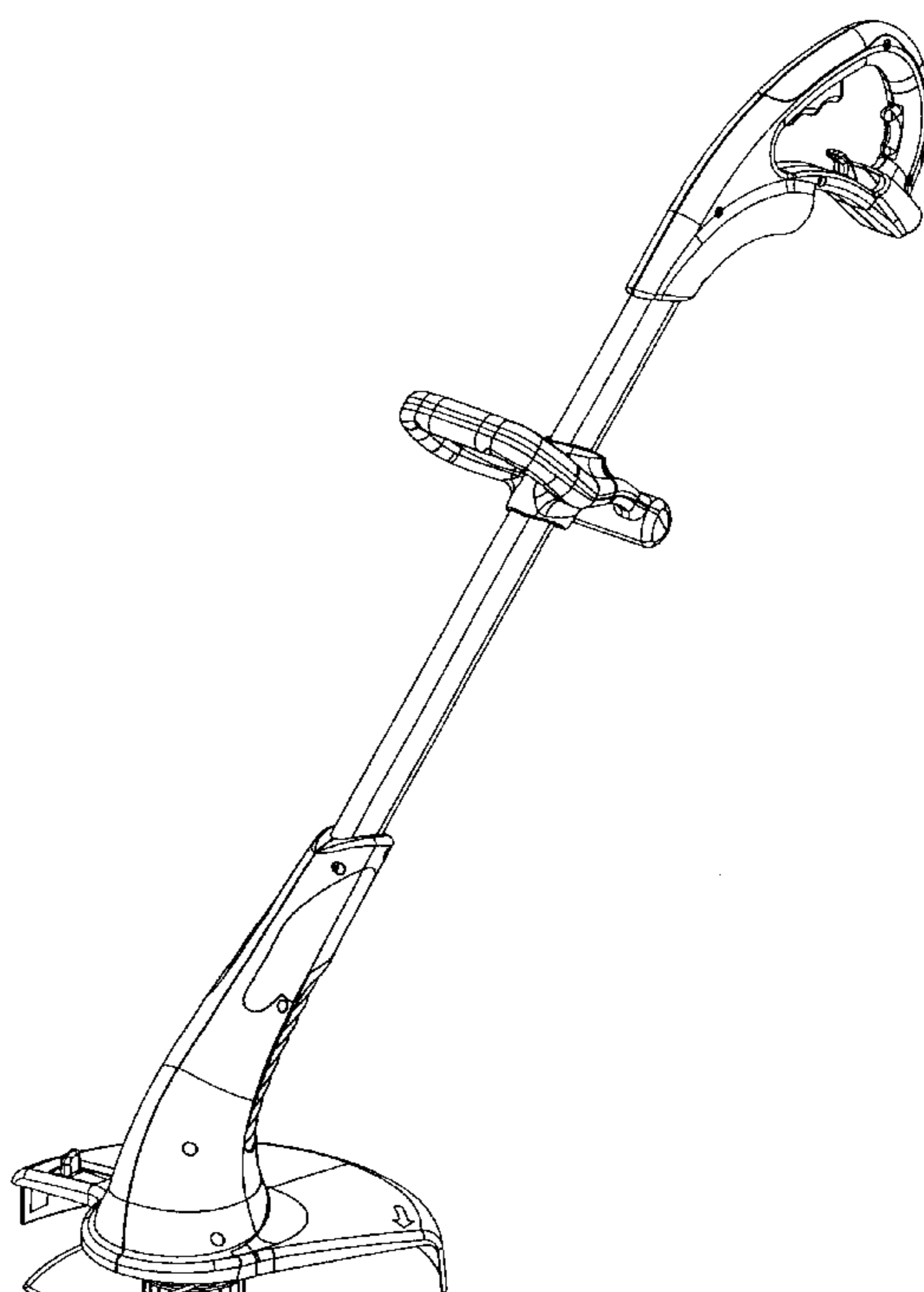
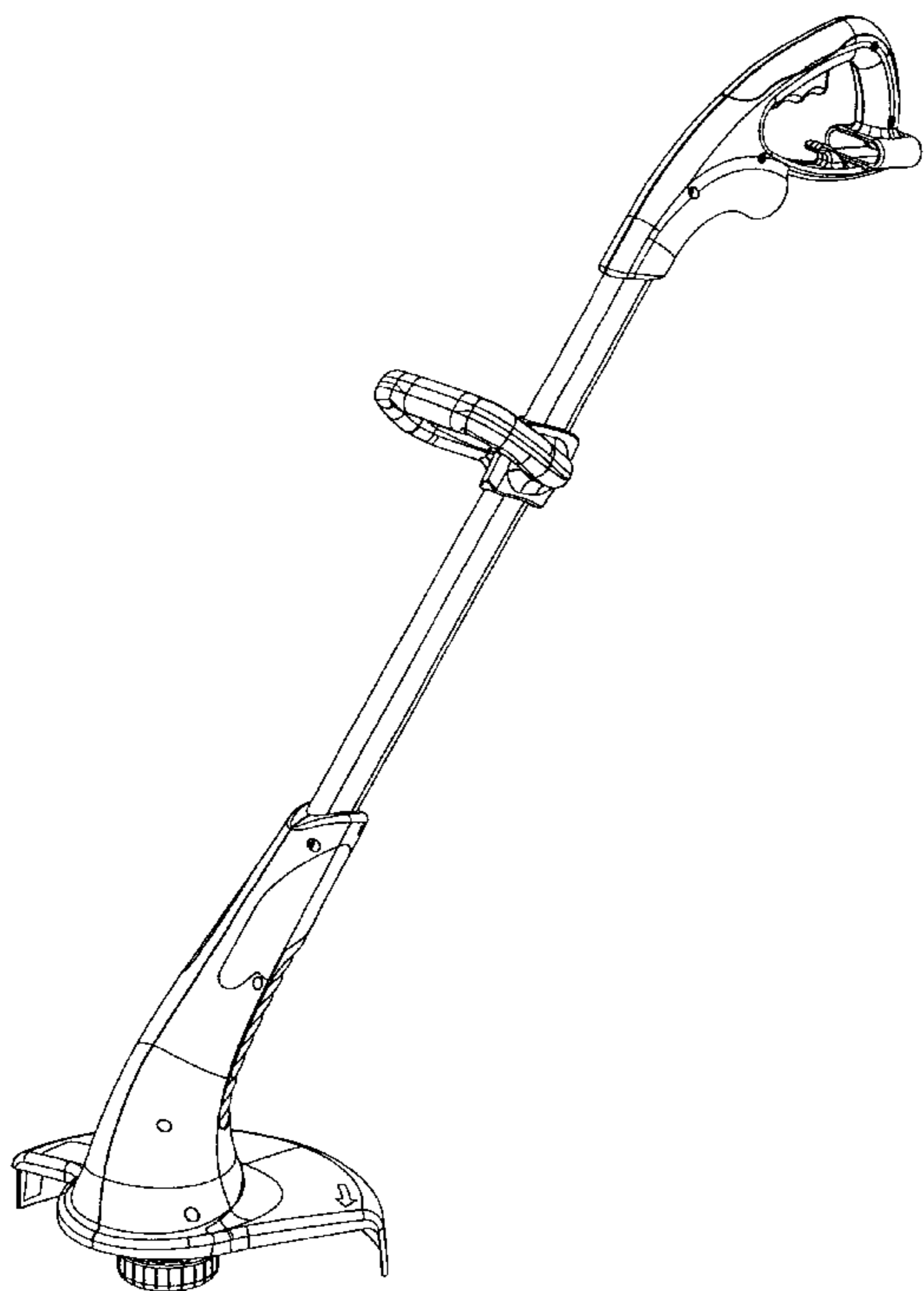
FIG. 11 is a right elevational view of the invention illustrated in FIG. 8;

FIG. 12 is a back elevational view of the invention illustrated in FIG. 8;

FIG. 13 is a top plan view of the invention illustrated in FIG. 8; and,

FIG. 14 is a bottom plan view of the invention illustrated in FIG. 8.

1 Claim, 14 Drawing Sheets



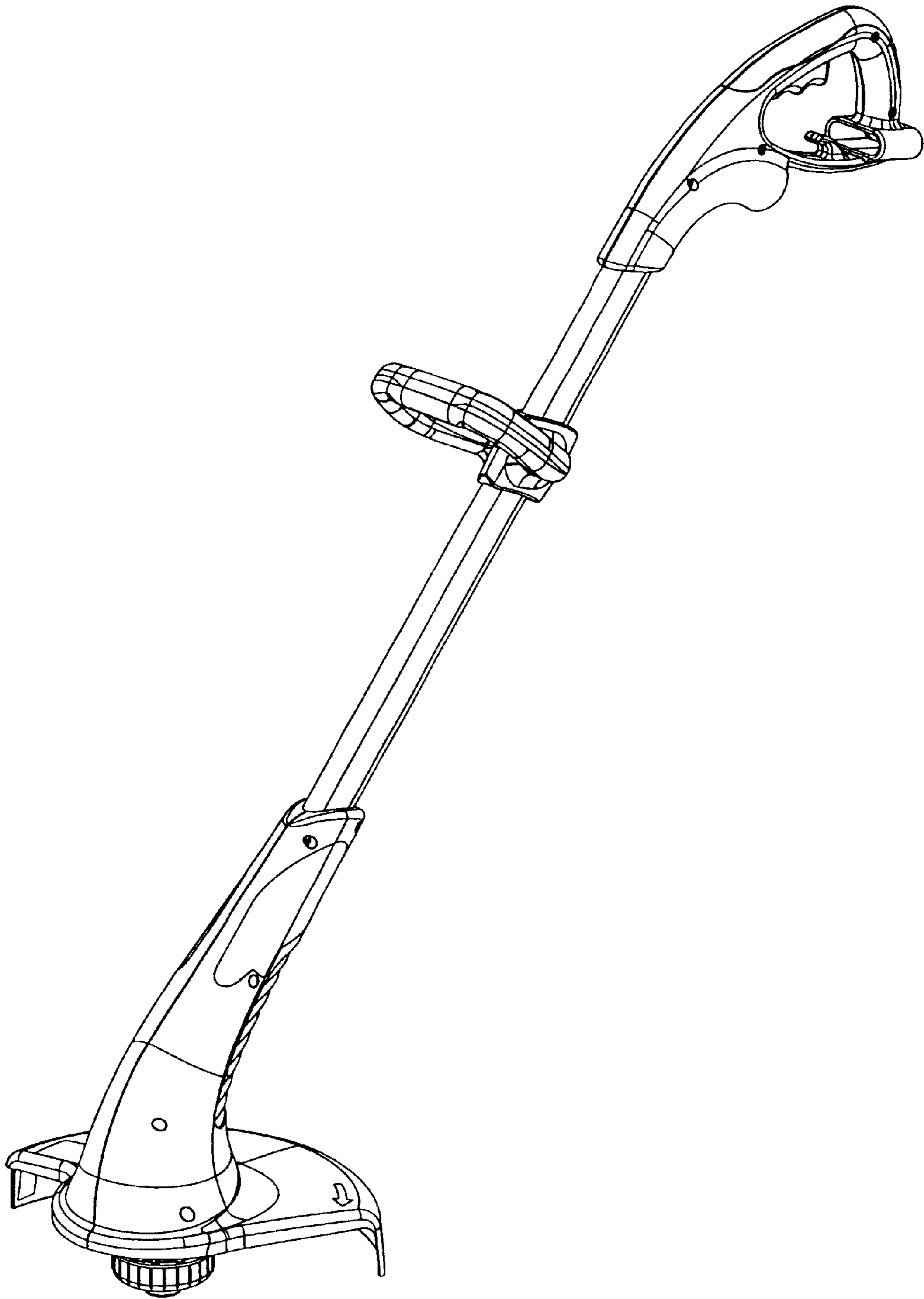


FIG. 1

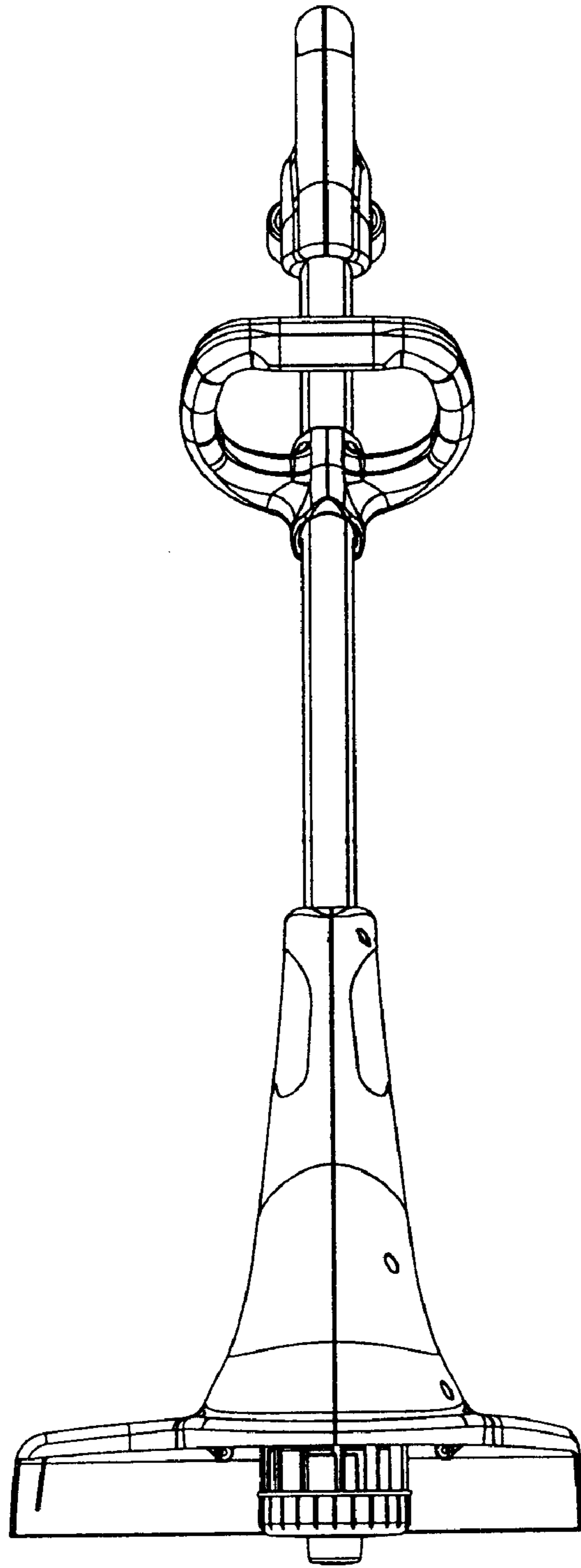


FIG. 2

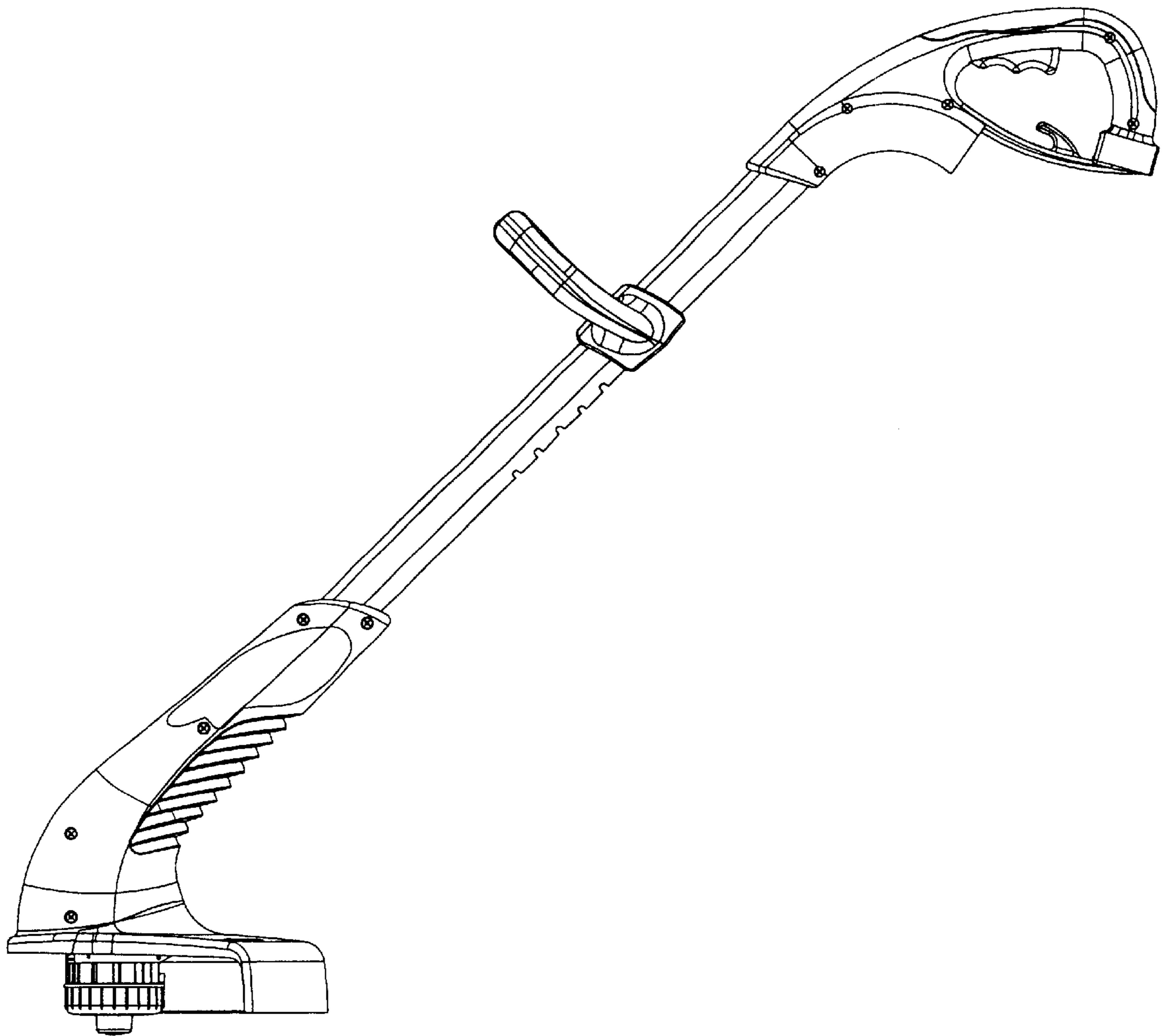


FIG. 3

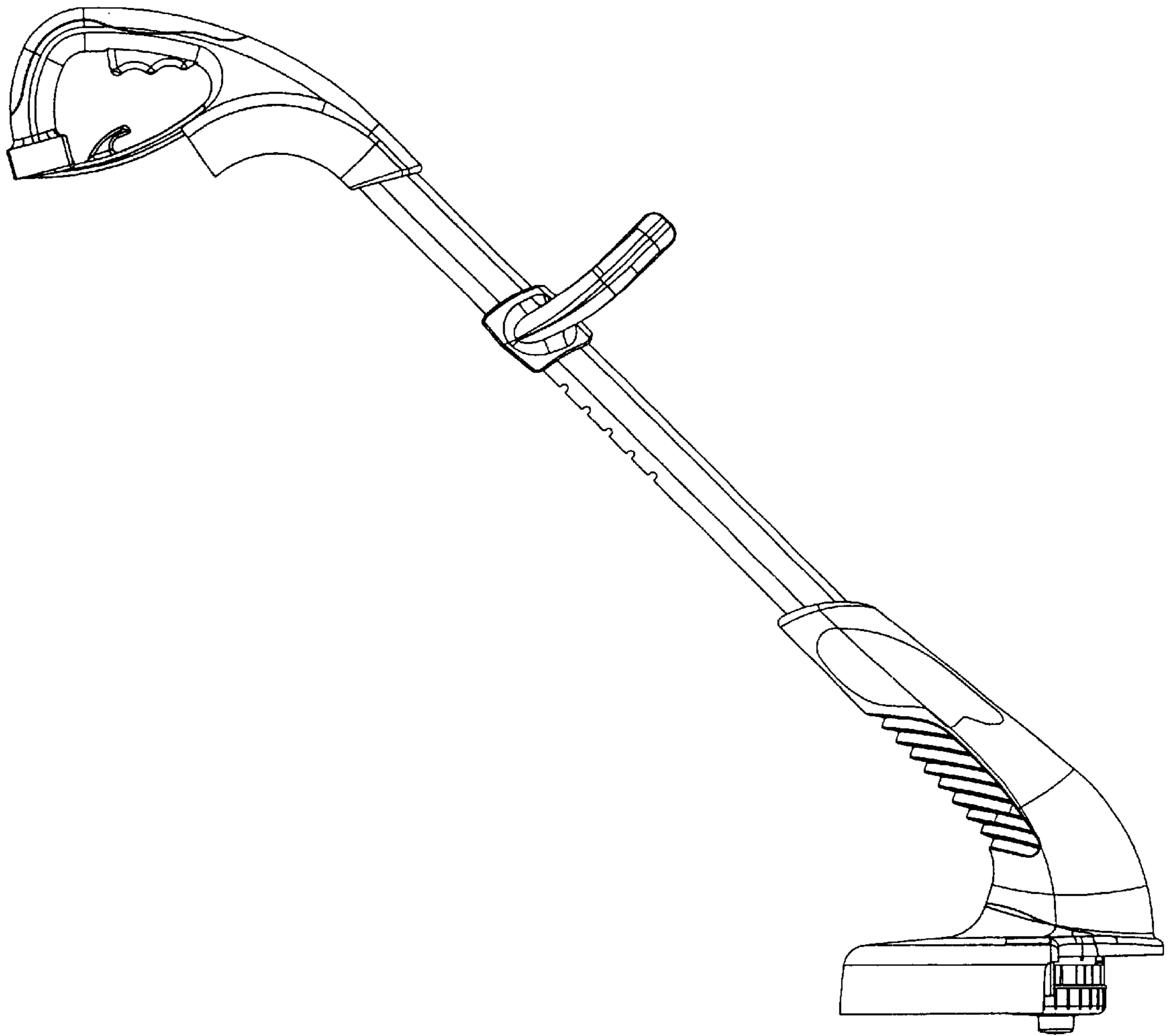


FIG. 4

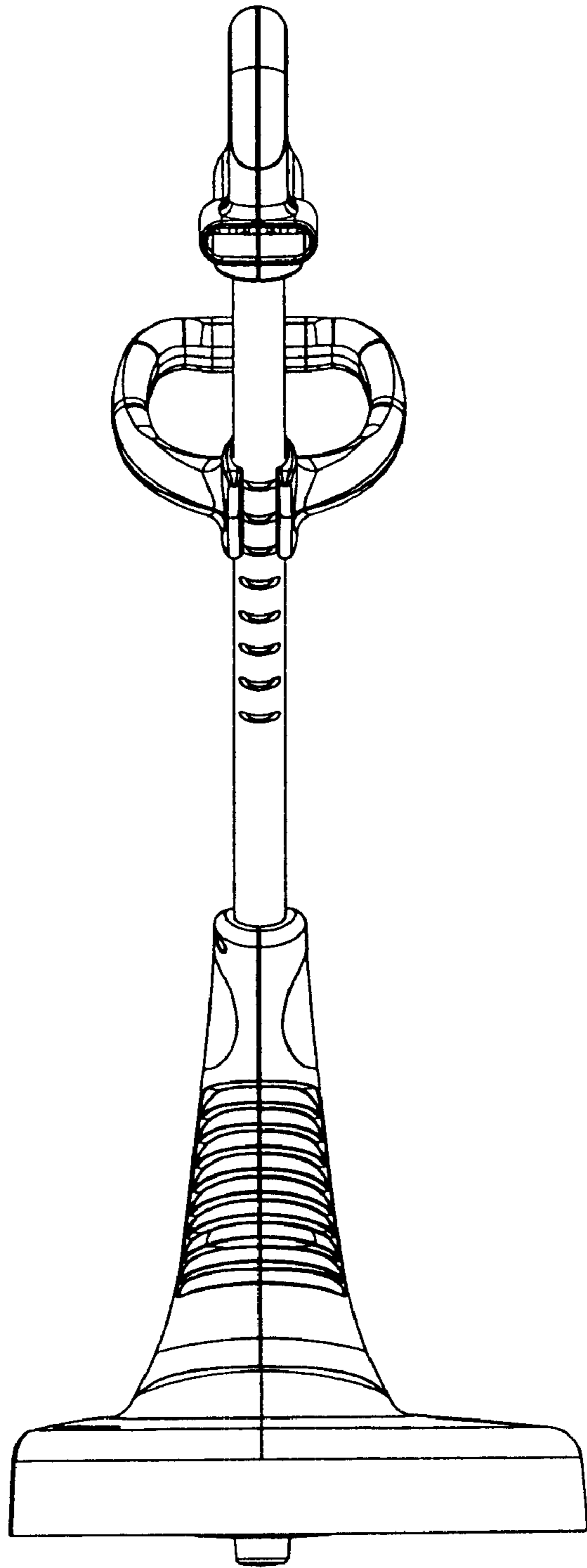


FIG. 5

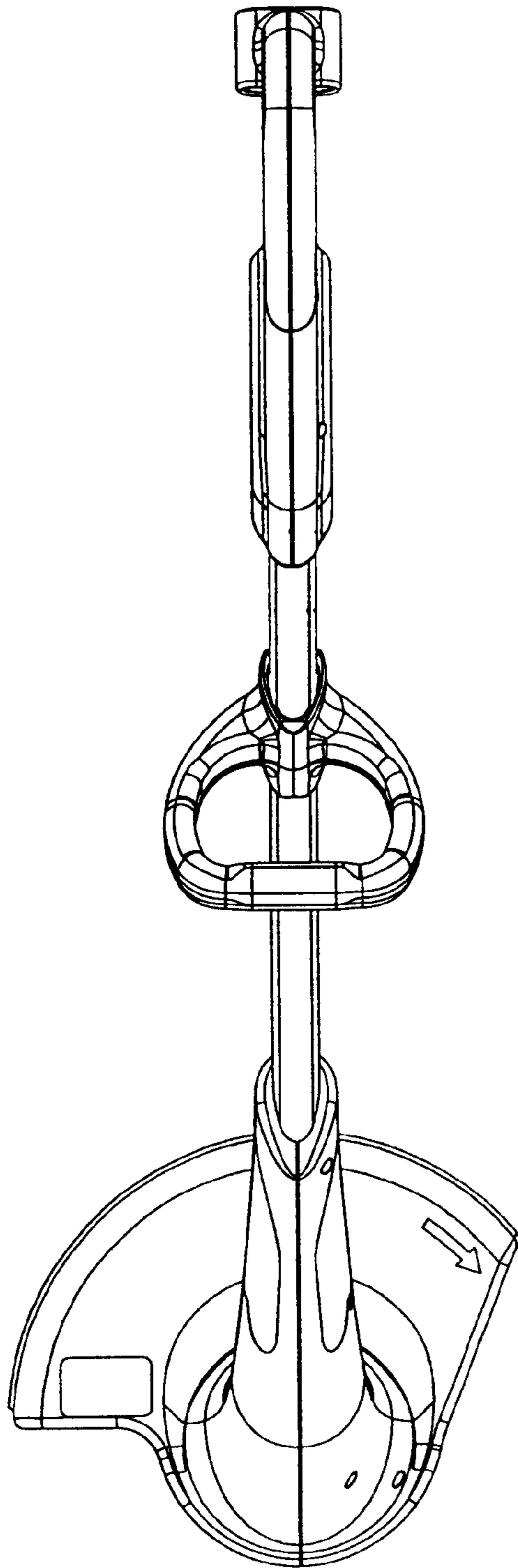


FIG. 6

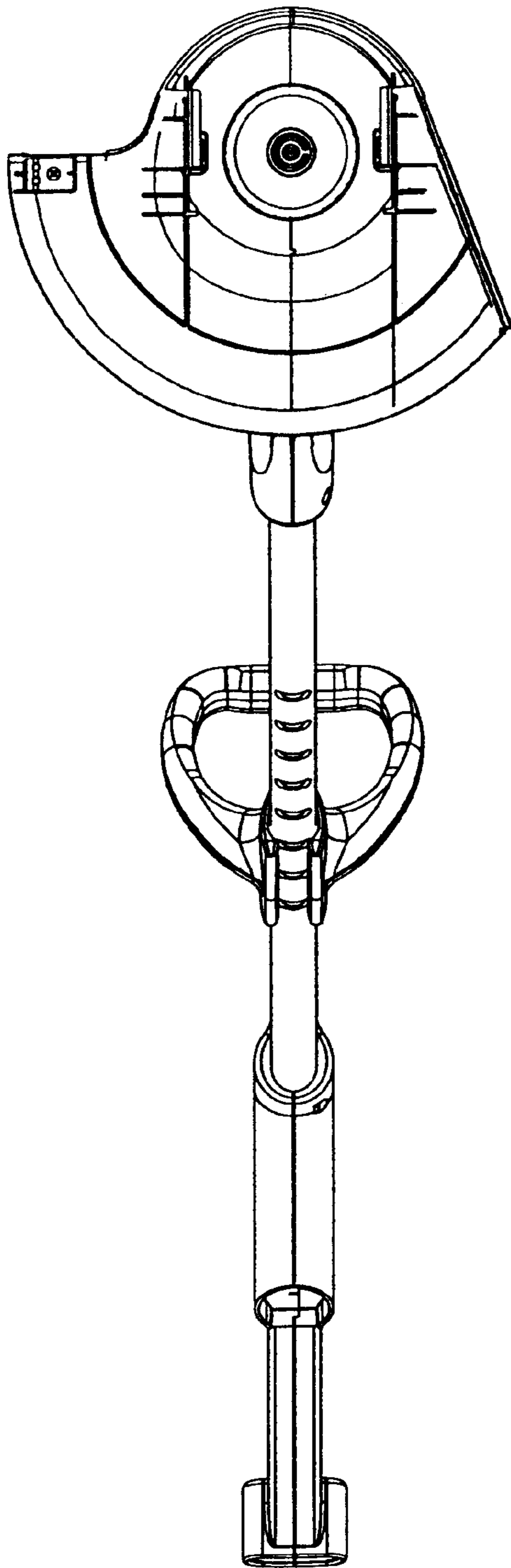


FIG. 7

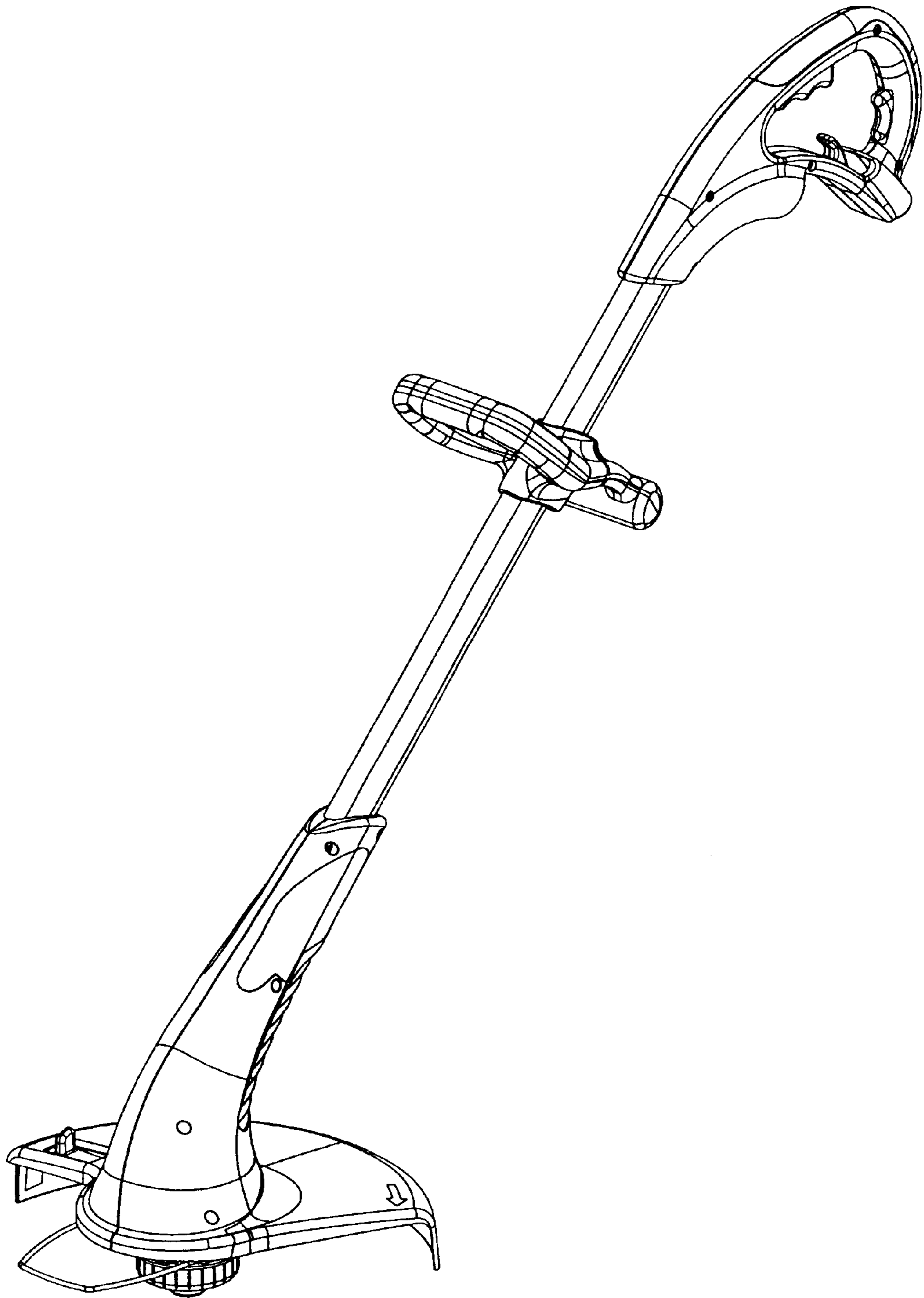


FIG.8

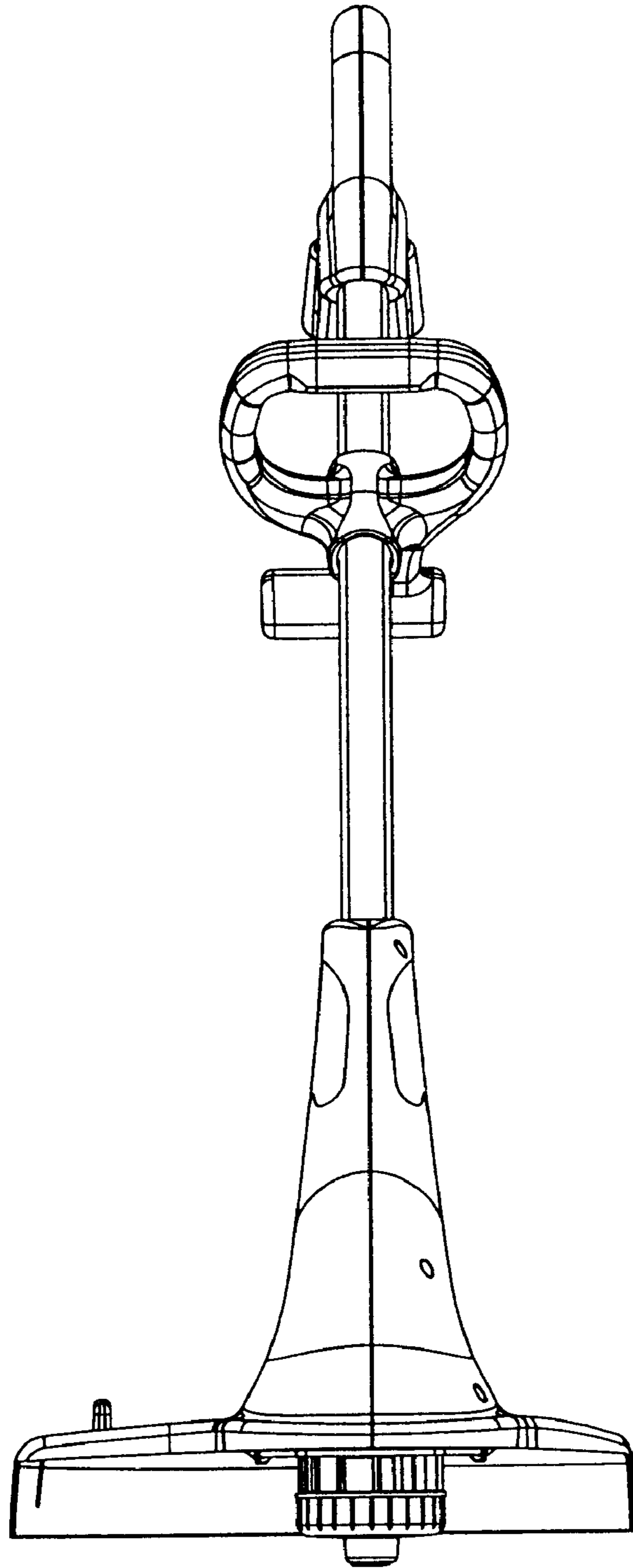


FIG. 9

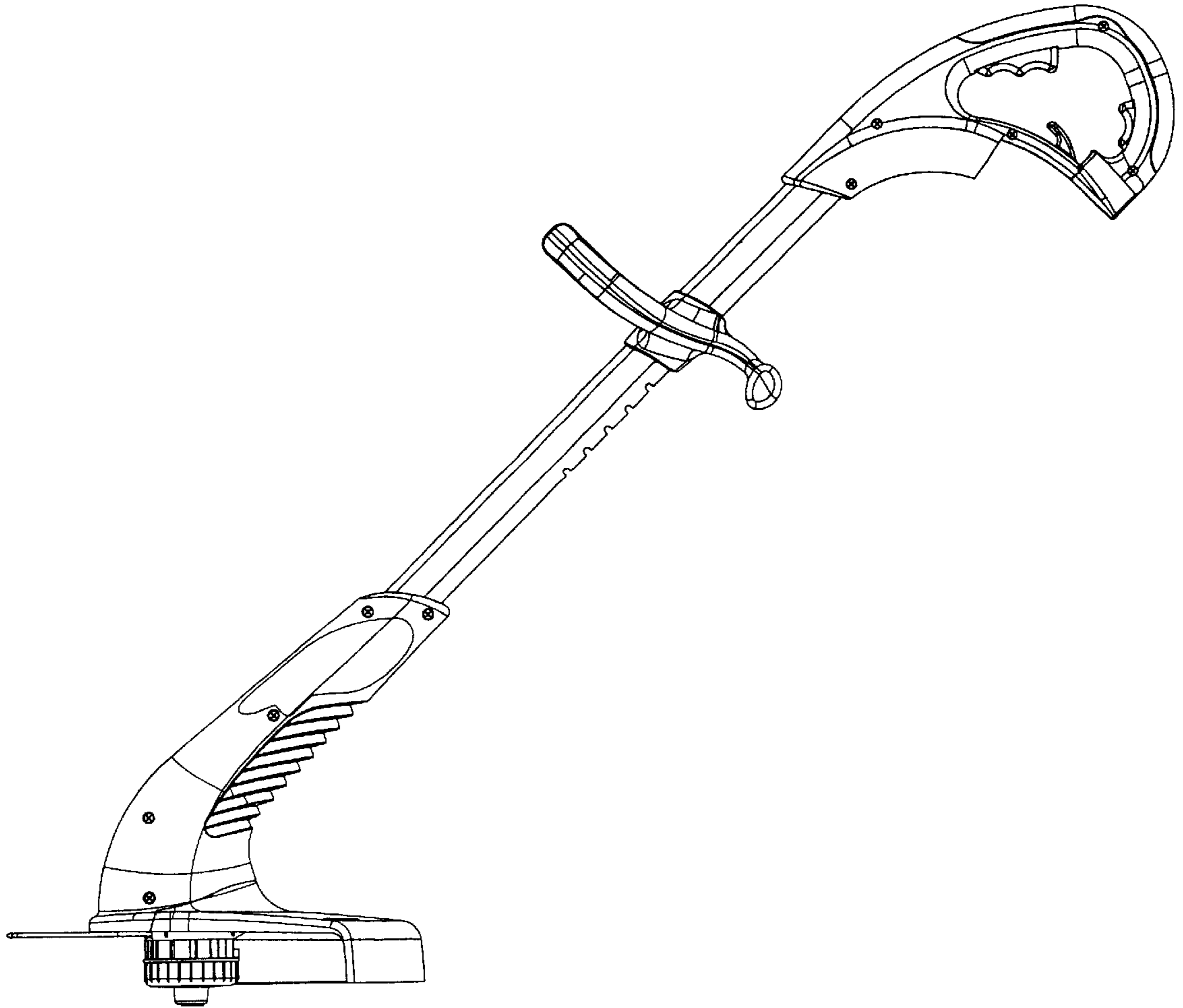


FIG. 10

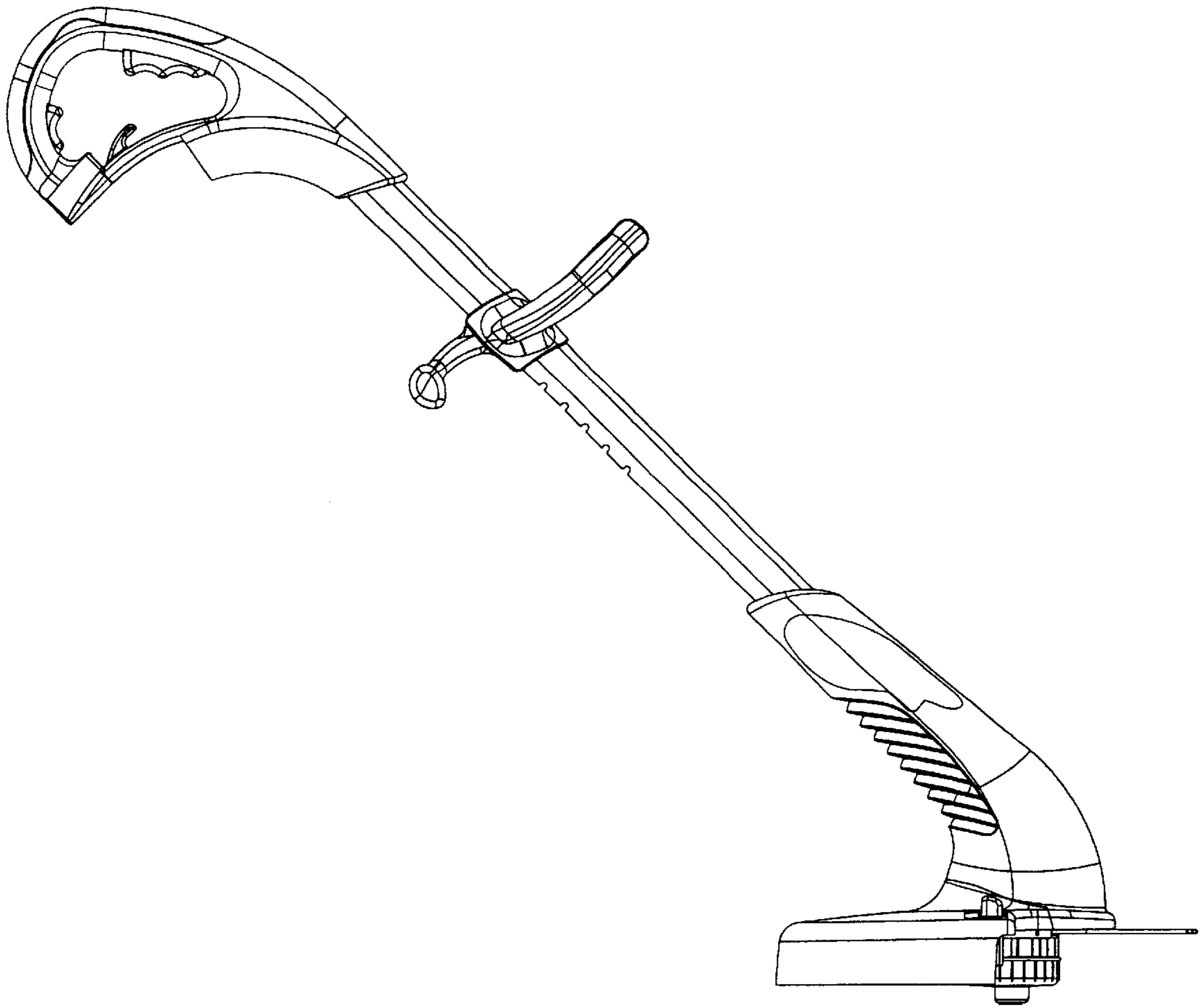


FIG. II

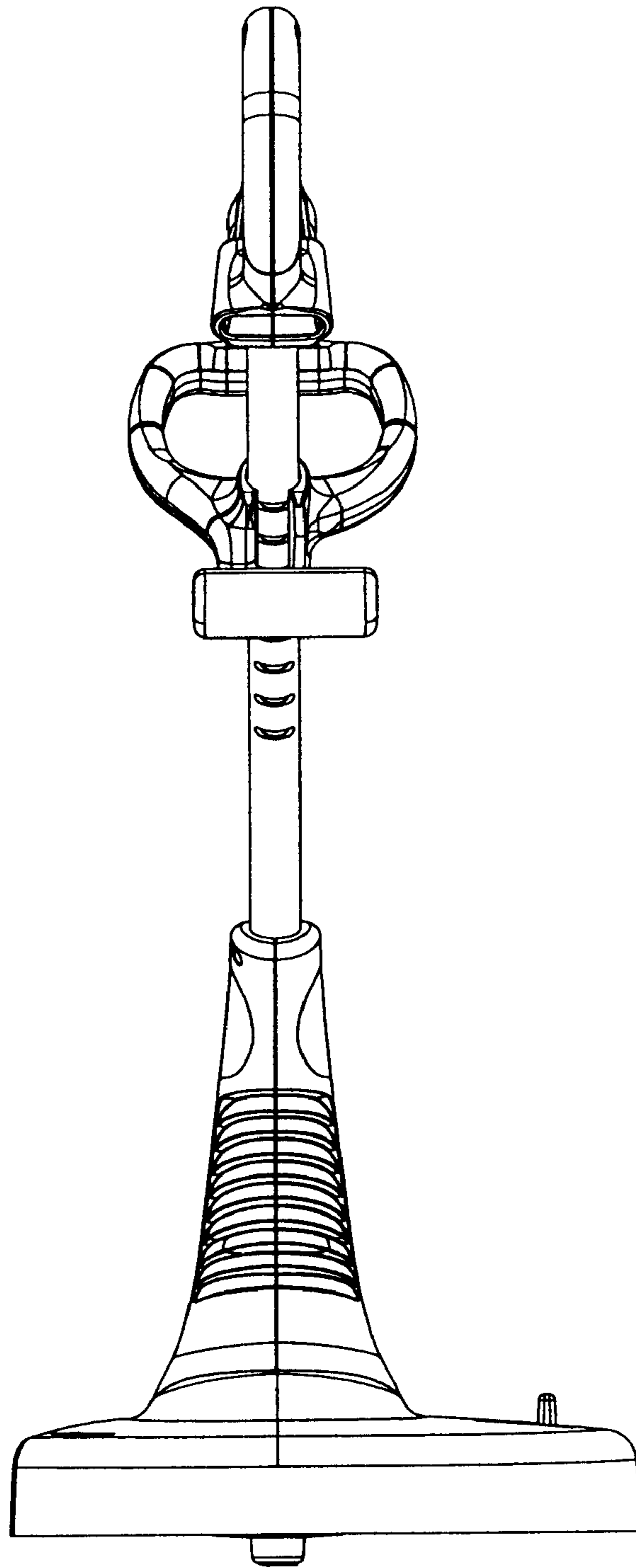


FIG. 12

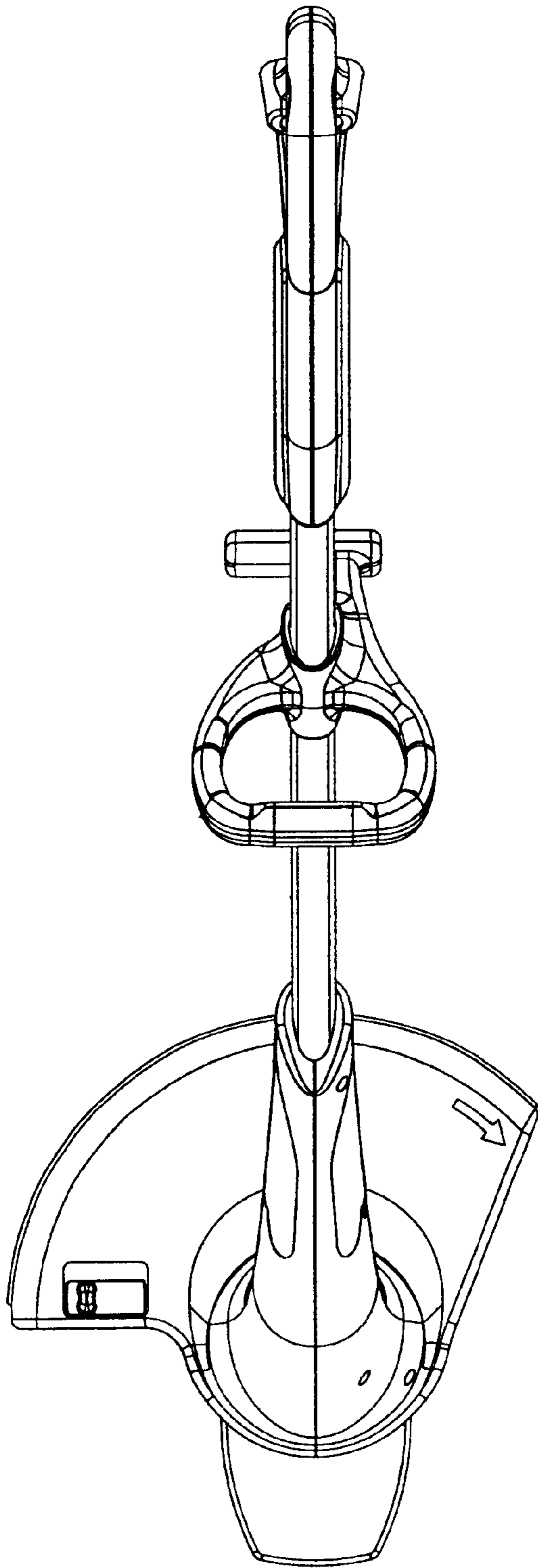


FIG. 13

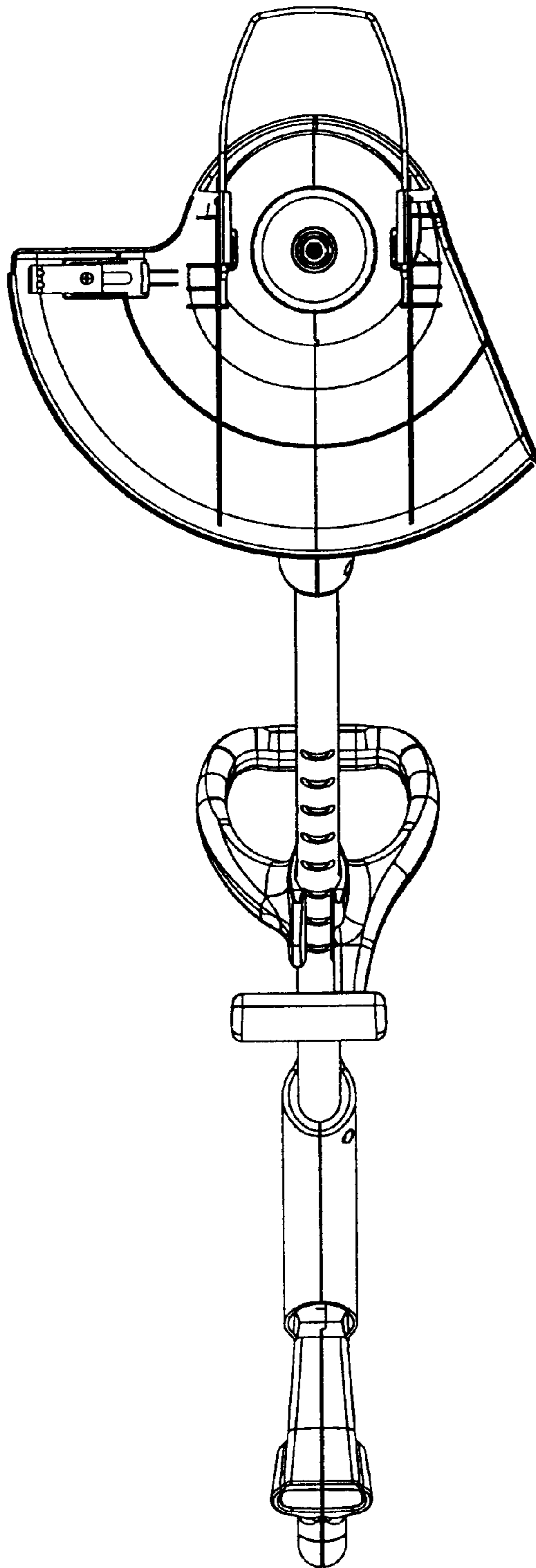


FIG.14