



US00D483235S

(12) **United States Design Patent**
Deville

(10) **Patent No.:** **US D483,235 S**

(45) **Date of Patent:** **** Dec. 9, 2003**

(54) **HEDGE CLIPPERS**

(75) Inventor: **Antoine Deville**, Le Viel-Bauge (FR)

(73) Assignee: **Deville S.A.**, Bauge (FR)

(**) Term: **14 Years**

(21) Appl. No.: **29/169,166**

(22) Filed: **Oct. 15, 2002**

(30) **Foreign Application Priority Data**

Oct. 1, 2002 (FR) 02 5880

(51) **LOC (7) Cl.** **08-01**

(52) **U.S. Cl.** **D8/5**

(58) **Field of Search** D8/5, 8, 1, 4,
D8/7; 30/261-262, 250-254, 266, 271

(56) **References Cited**

U.S. PATENT DOCUMENTS

3,187,430	A	*	6/1965	Wallace et al.	30/252
D206,482	S	*	12/1966	Sharp	D8/5
3,846,910	A	*	11/1974	Davis	30/271
5,592,743	A	*	1/1997	Labarre et al.	30/271
D381,565	S	*	7/1997	Hibberd	D8/5
D393,401	S	*	4/1998	Clivio	D8/5

* cited by examiner

Primary Examiner—Pamela Burgess

(74) *Attorney, Agent, or Firm*—Abelman, Frayne & Schwab

(57) **CLAIM**

The ornamental design for hedge clippers, as shown and described above.

DESCRIPTION

FIG. 1 is a top, front and left side perspective view showing my new hedge clippers design;
 FIG. 2 is a top plan view thereof;
 FIG. 3 is a front view thereof;
 FIG. 4 is a left side view thereof;
 FIG. 5 is a right side view thereof;
 FIG. 6 is a rear view thereof;
 FIG. 7 is a bottom view thereof;
 FIG. 8 is a top, front and left side perspective view showing another embodiment thereof;
 FIG. 9 is a top plan view of the embodiment of FIG. 8;
 FIG. 10 is a front view thereof;
 FIG. 11 is a left side view thereof;
 FIG. 12 is a right side view thereof;
 FIG. 13 is a rear view thereof;
 FIG. 14 is a bottom view thereof;
 FIG. 15 is a top, front and right perspective view showing another embodiment thereof; and,
 FIG. 16 is a top, front and right perspective view showing another embodiment thereof.

1 Claim, 8 Drawing Sheets

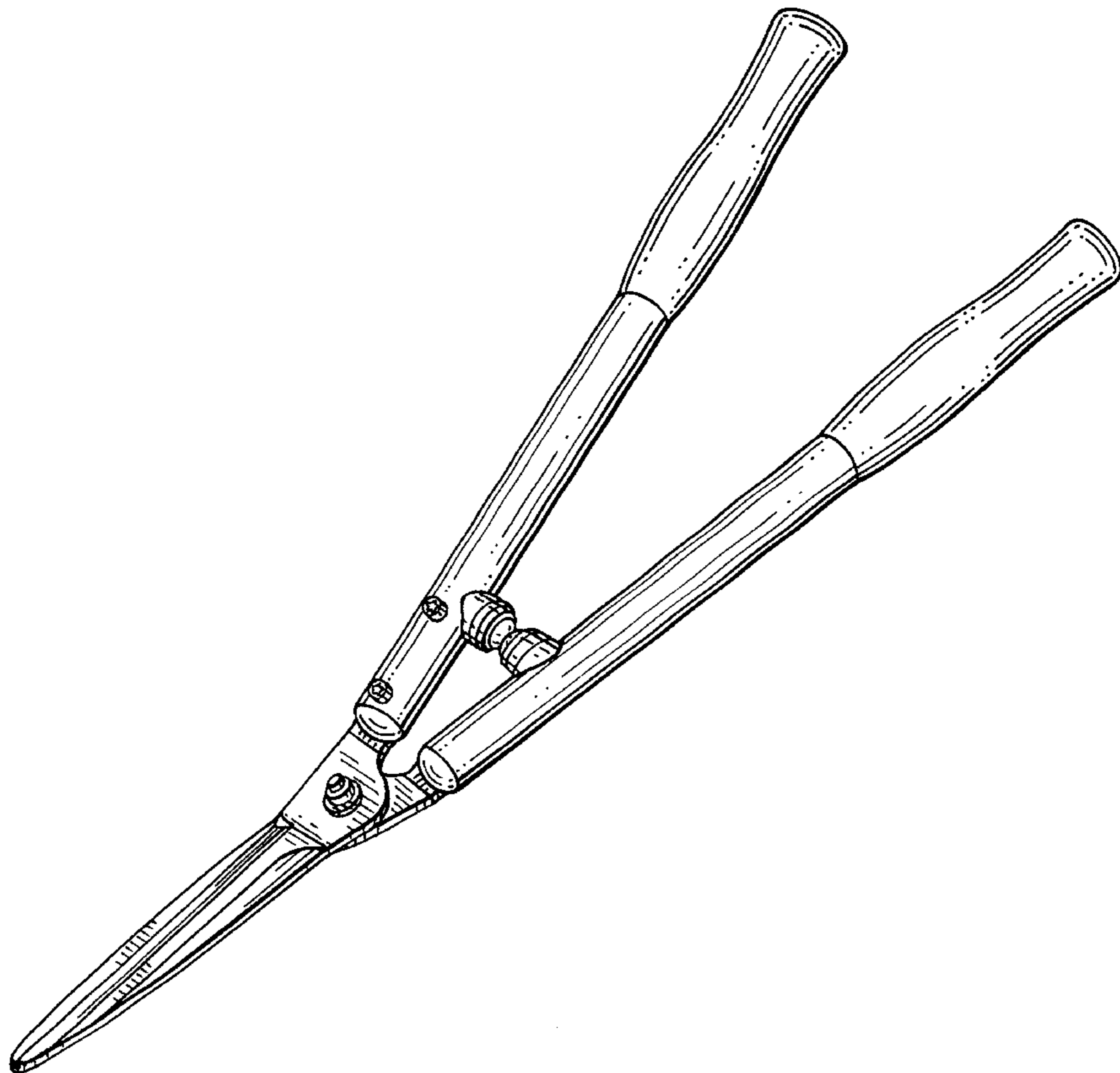
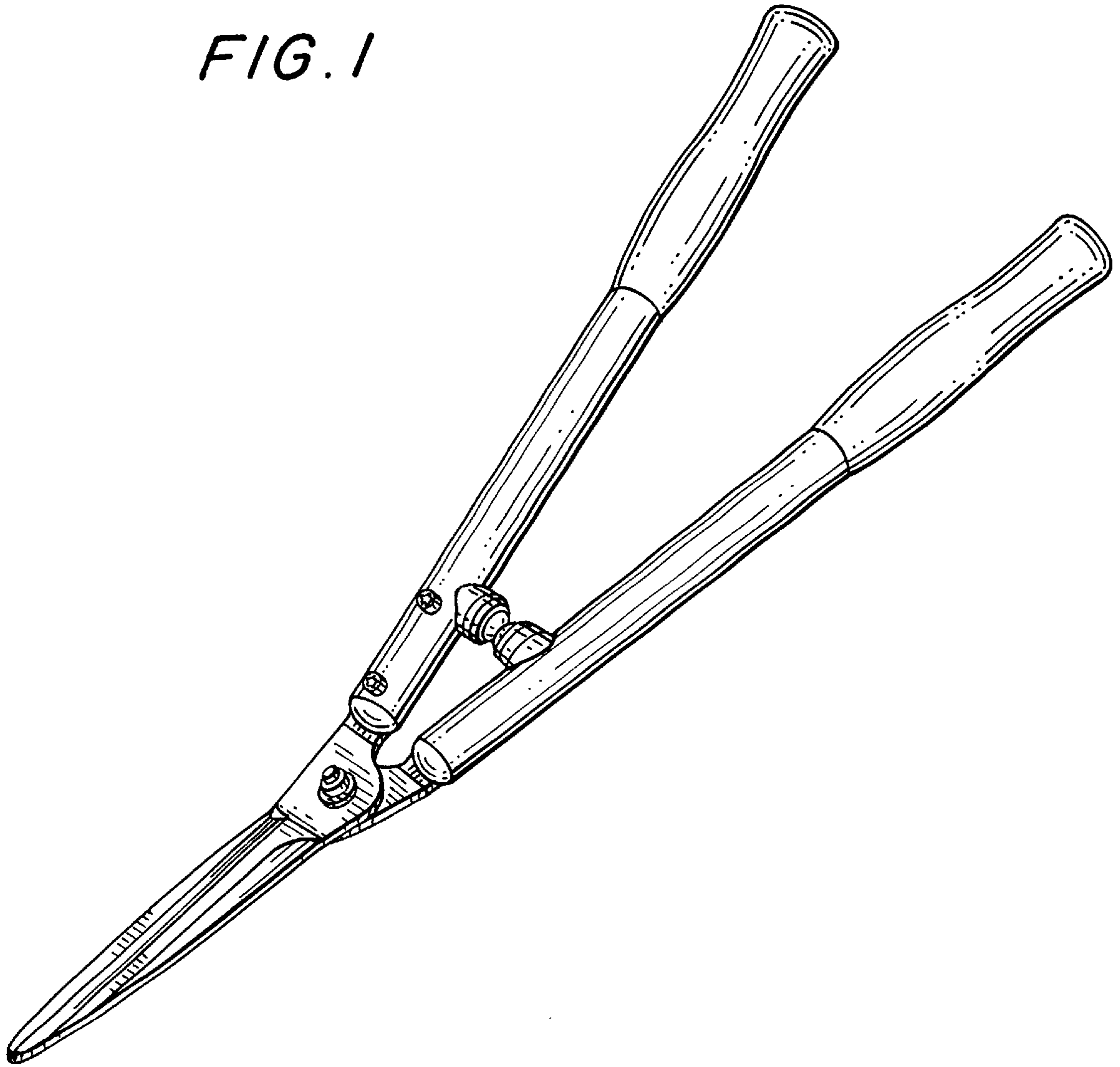


FIG. 1



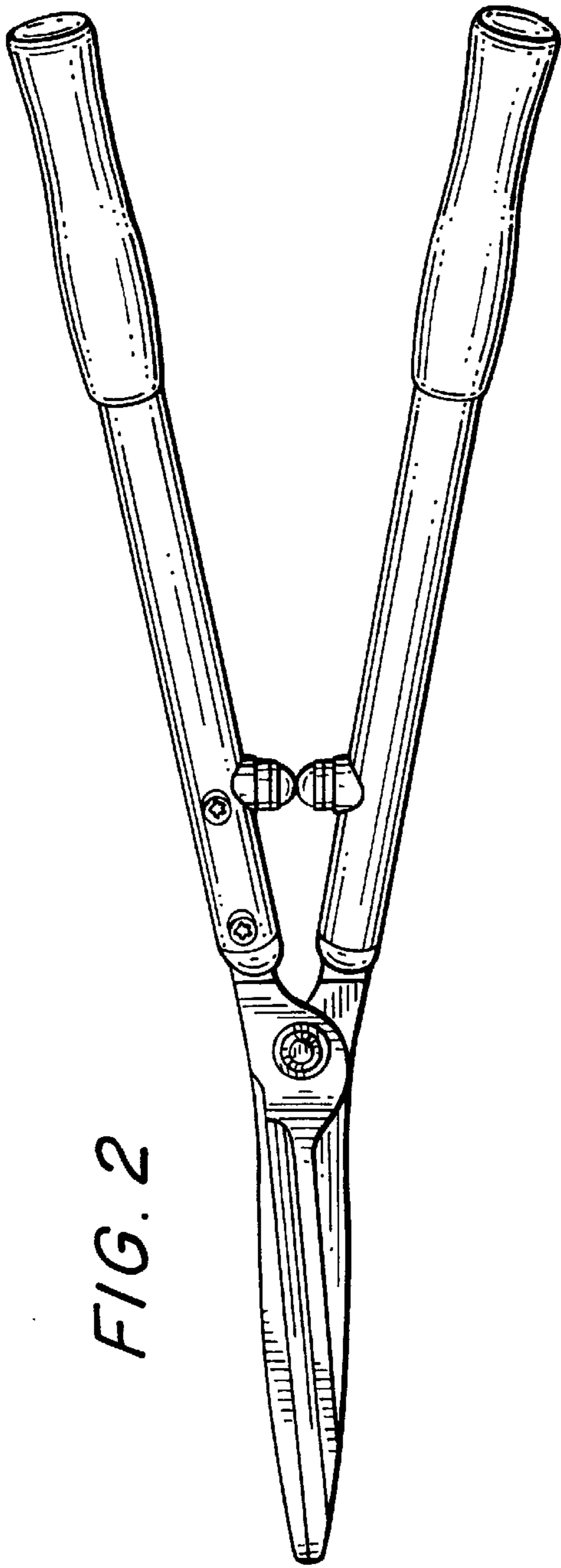


FIG. 2

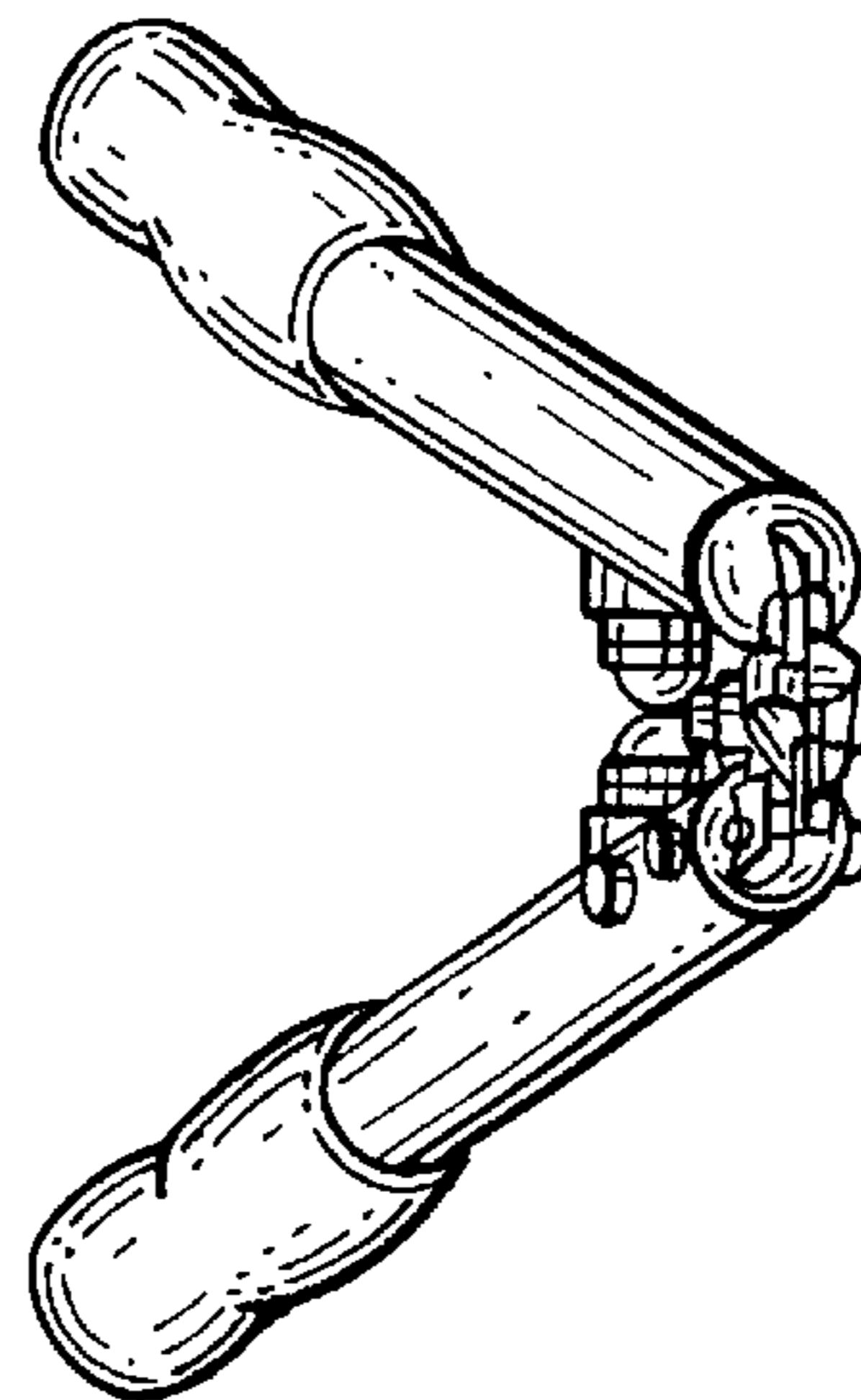


FIG. 3

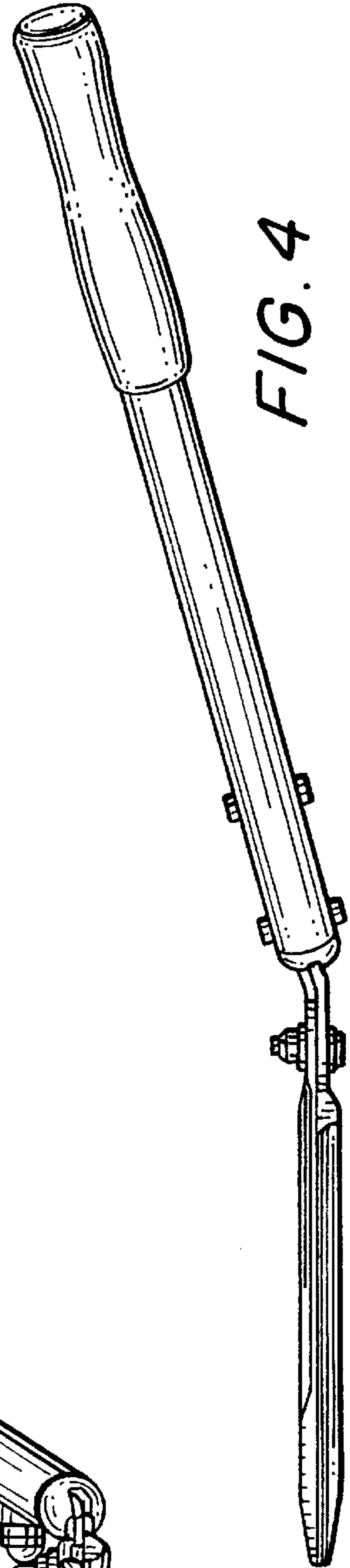


FIG. 4

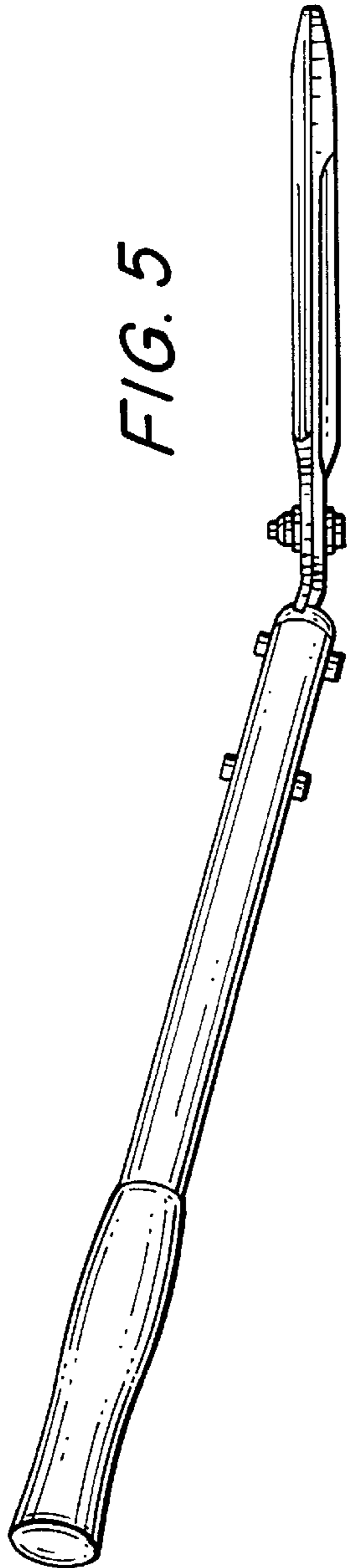


FIG. 5

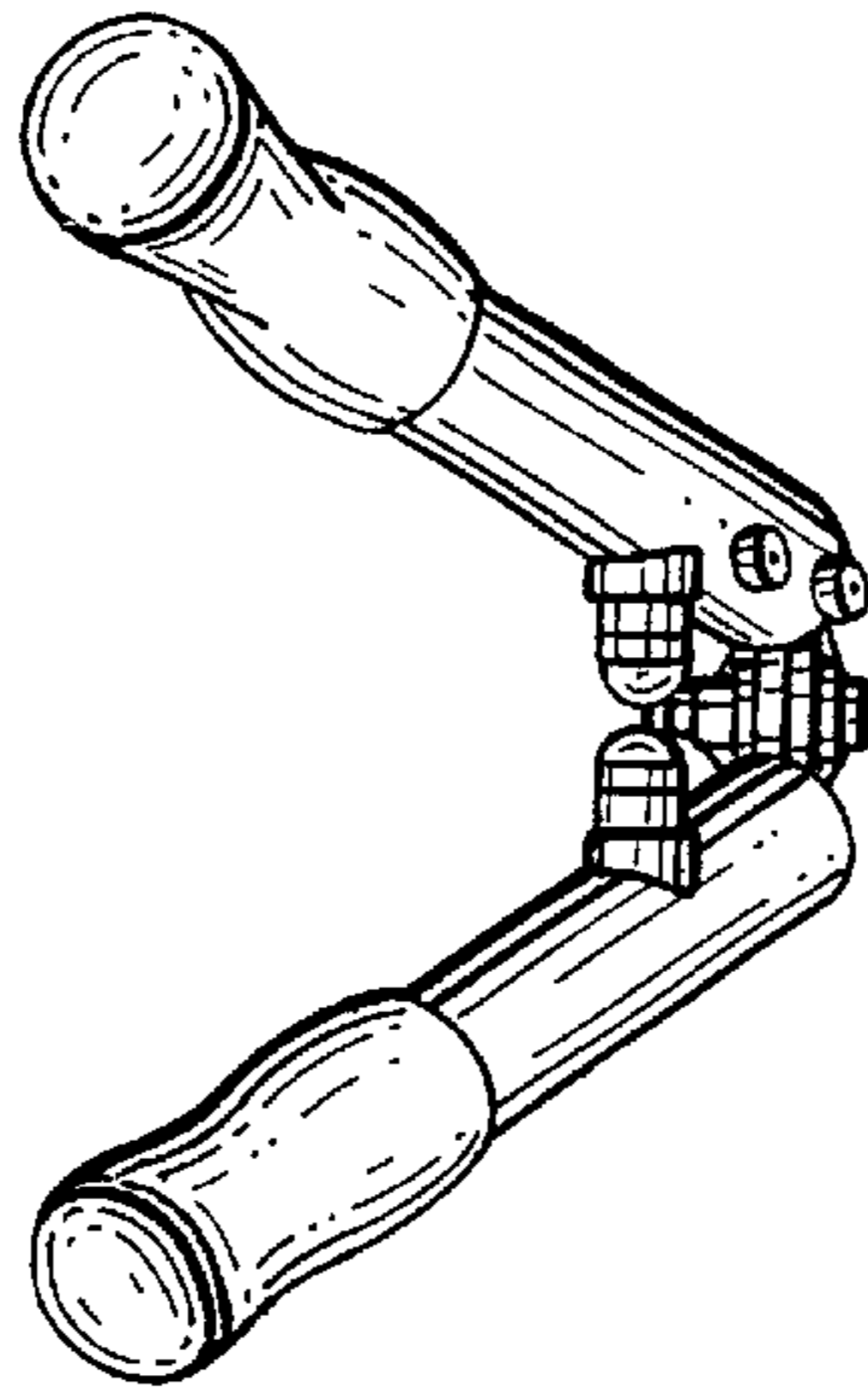


FIG. 6

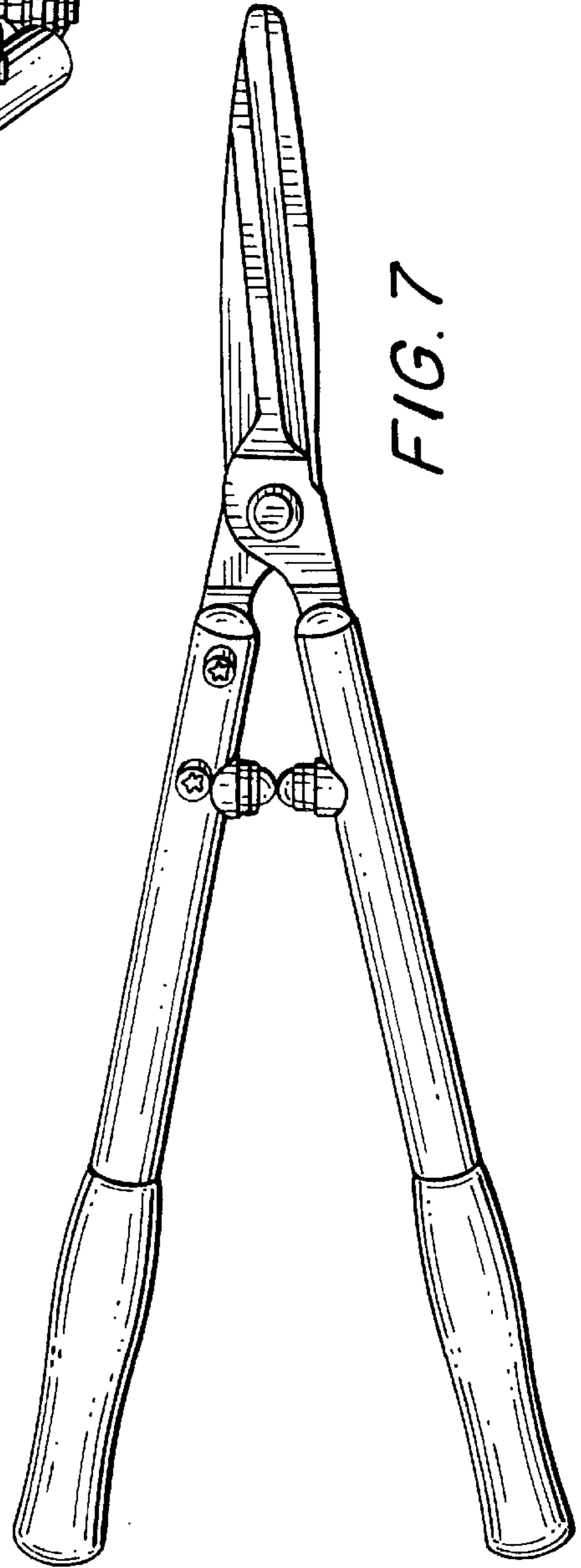


FIG. 7

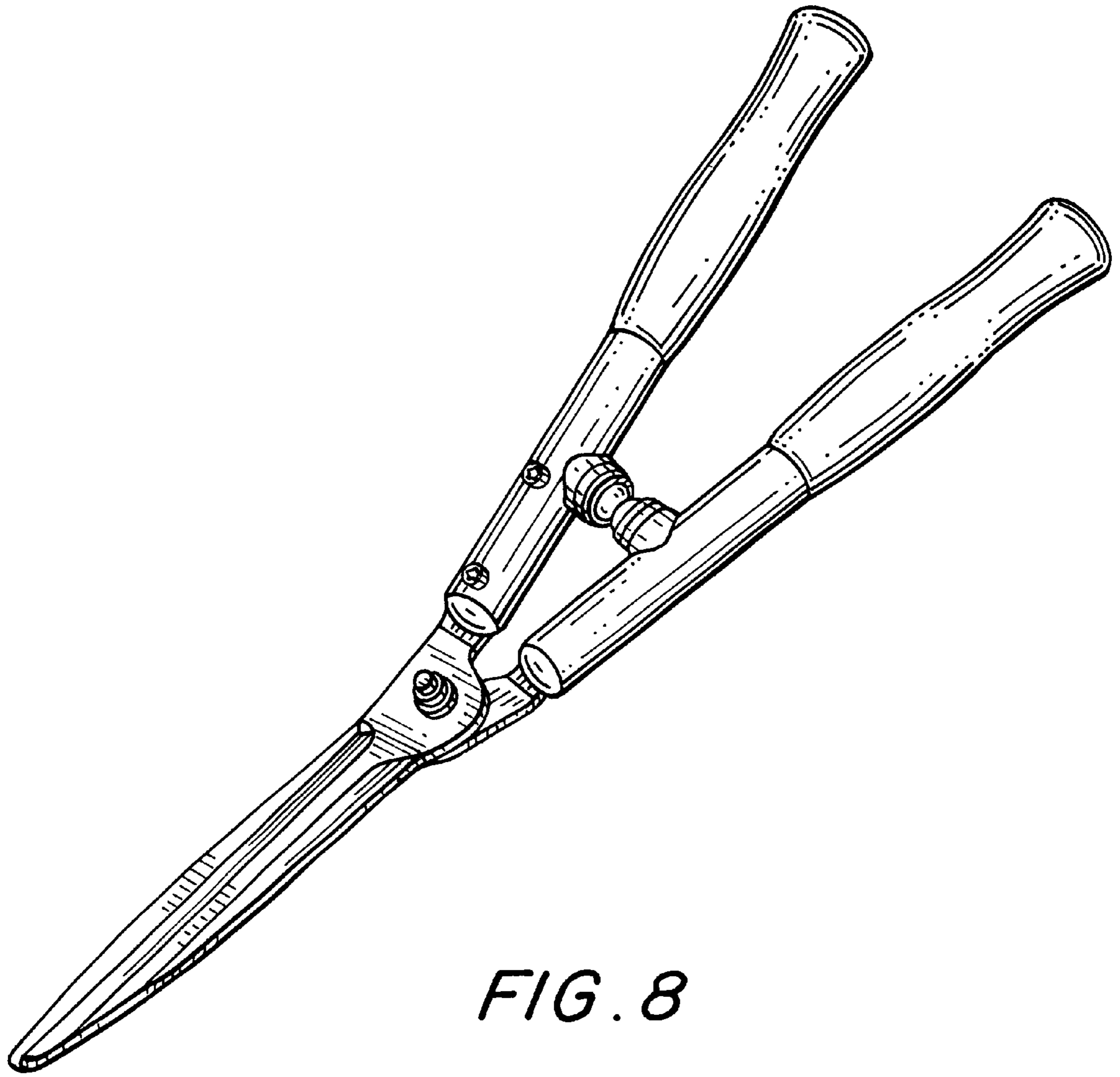


FIG. 8

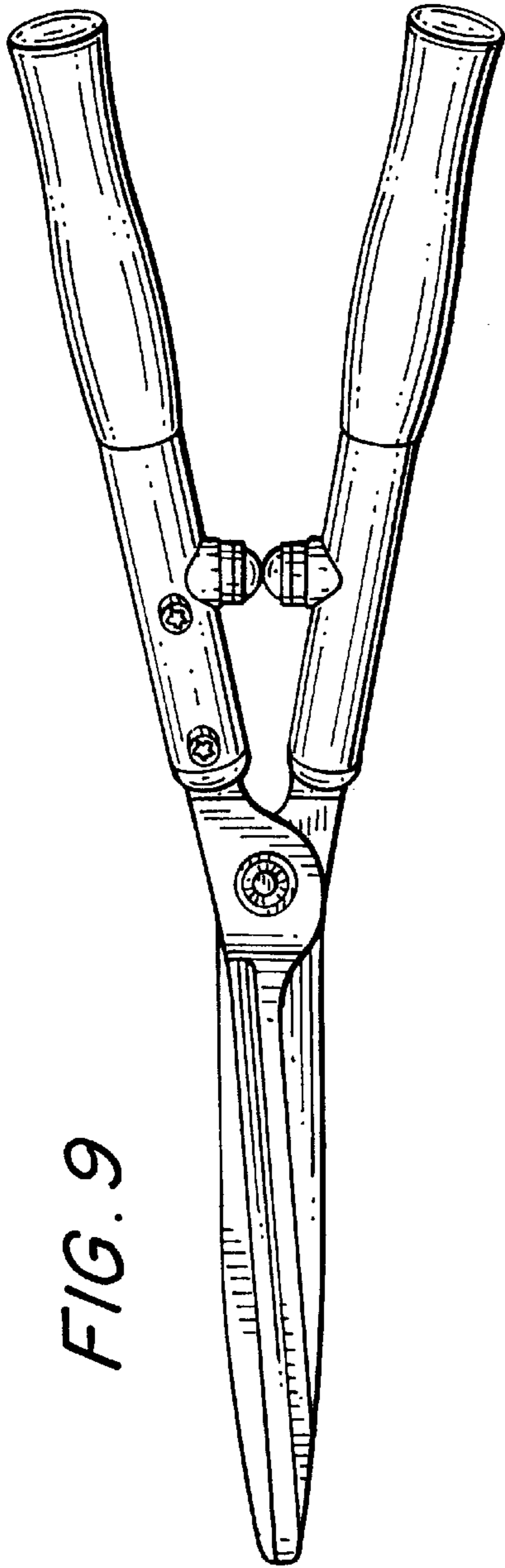


FIG. 9

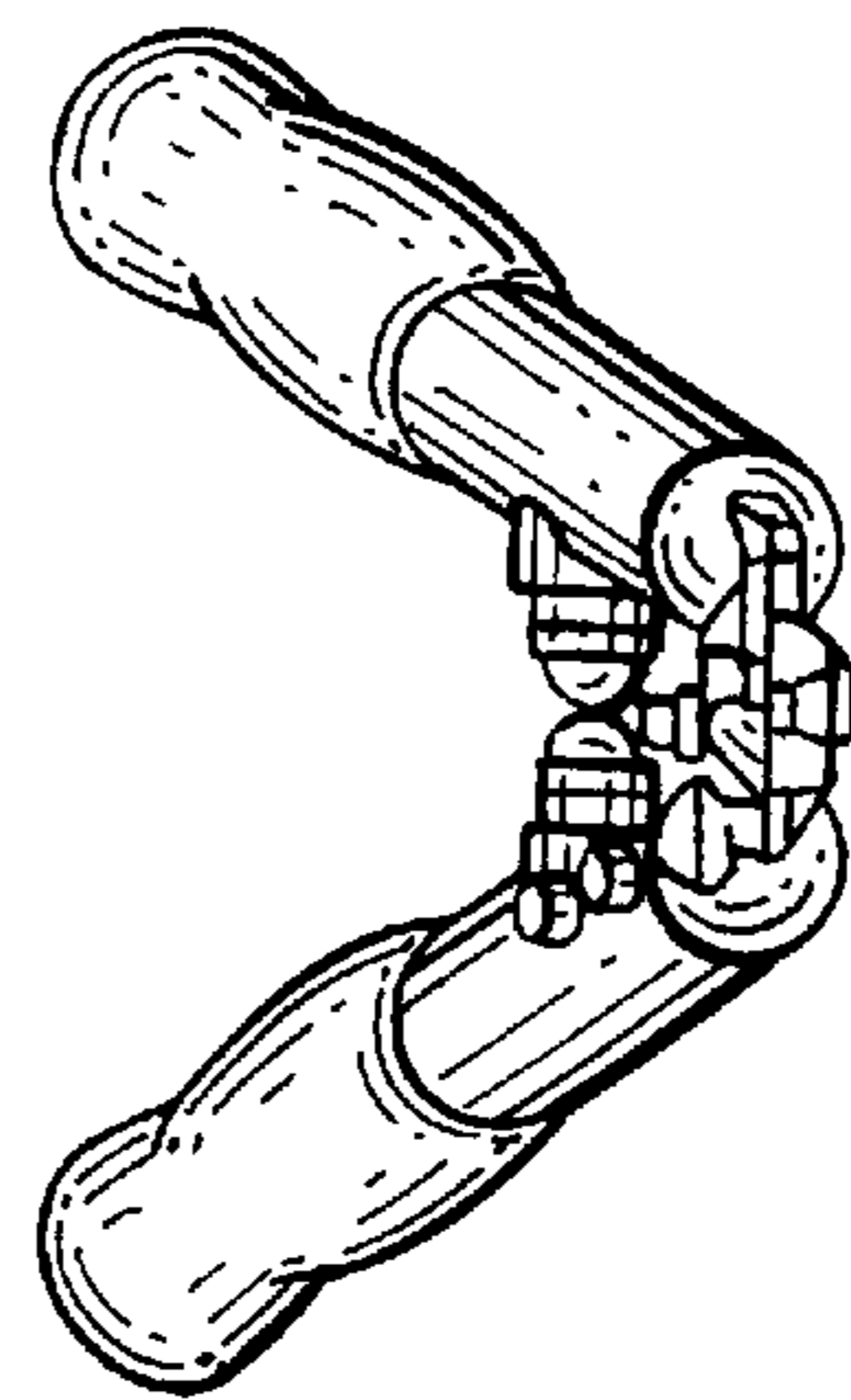


FIG. 10

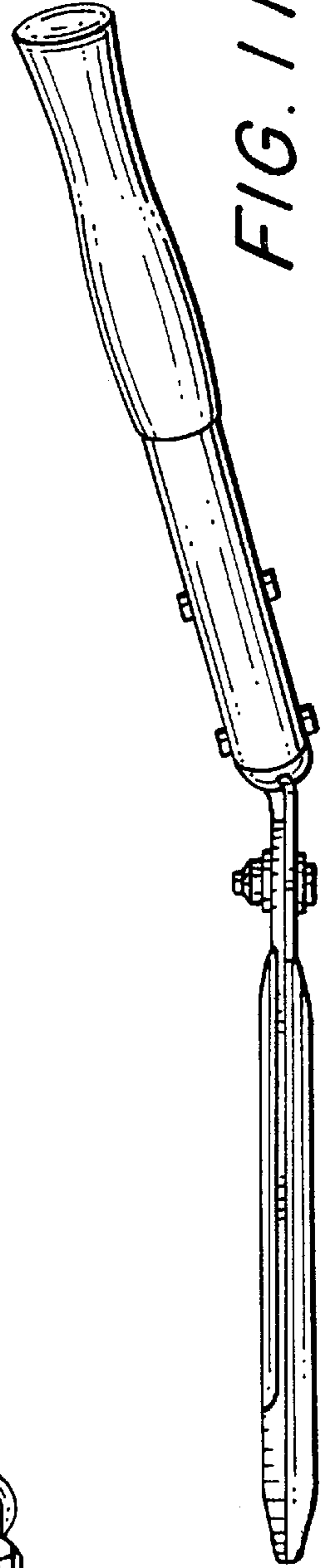


FIG. 11

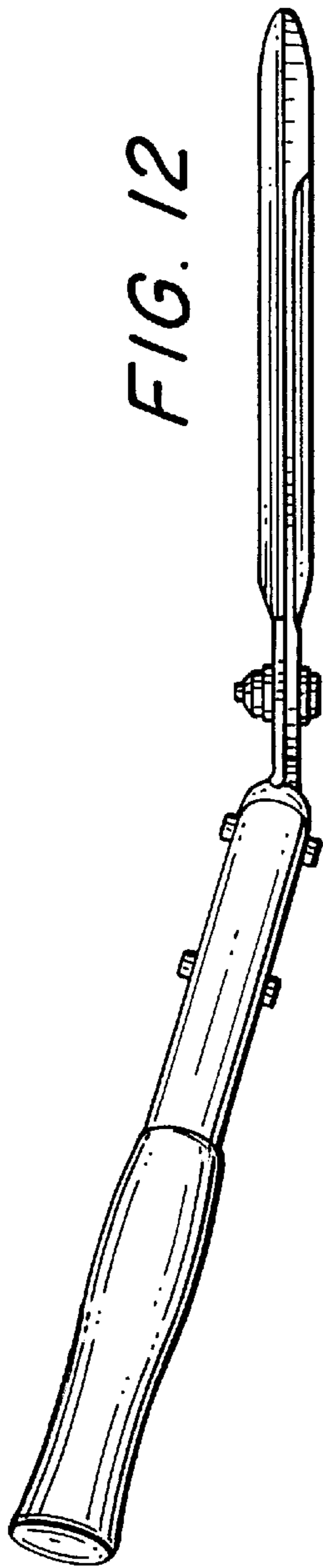


FIG. 12

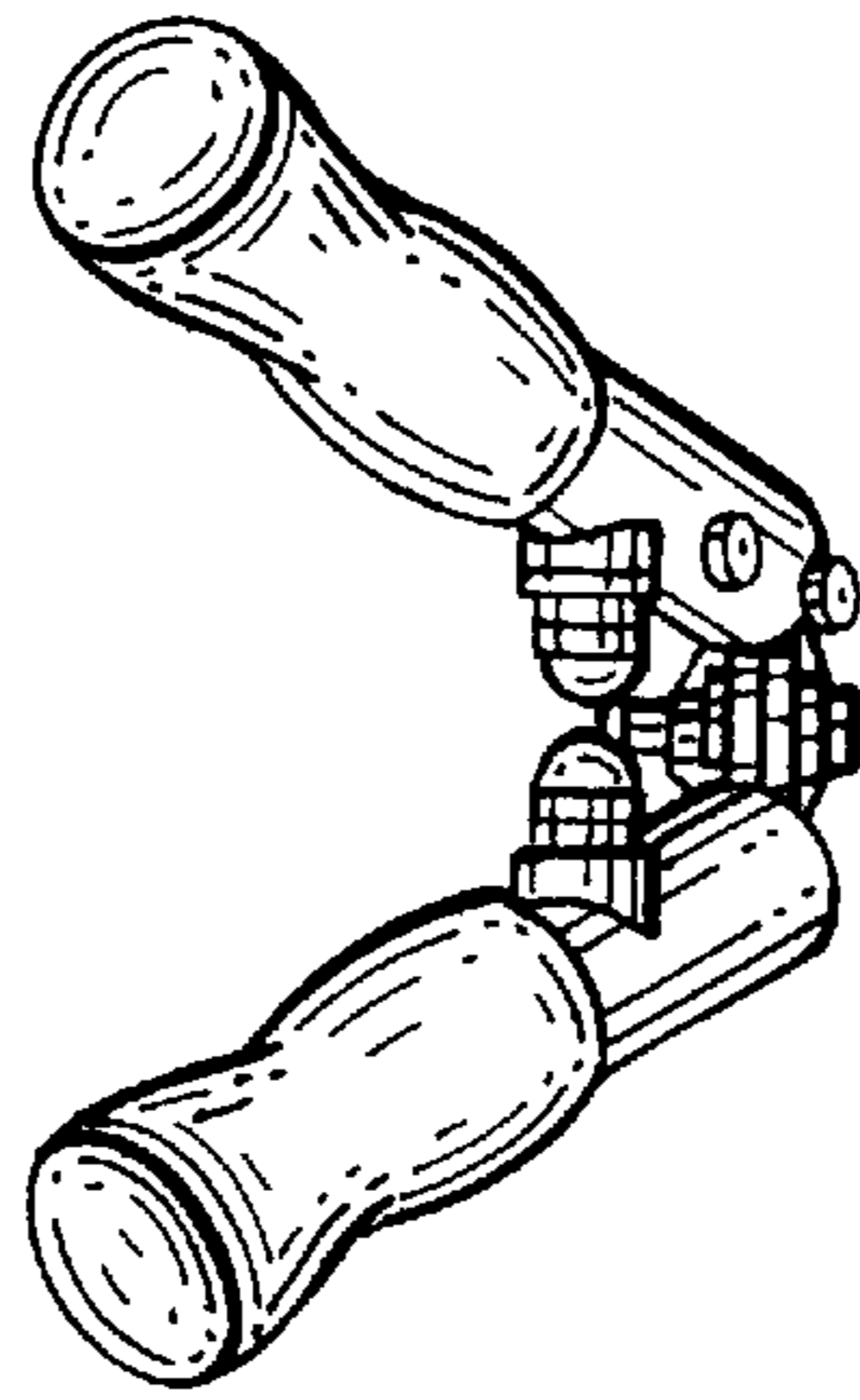


FIG. 13

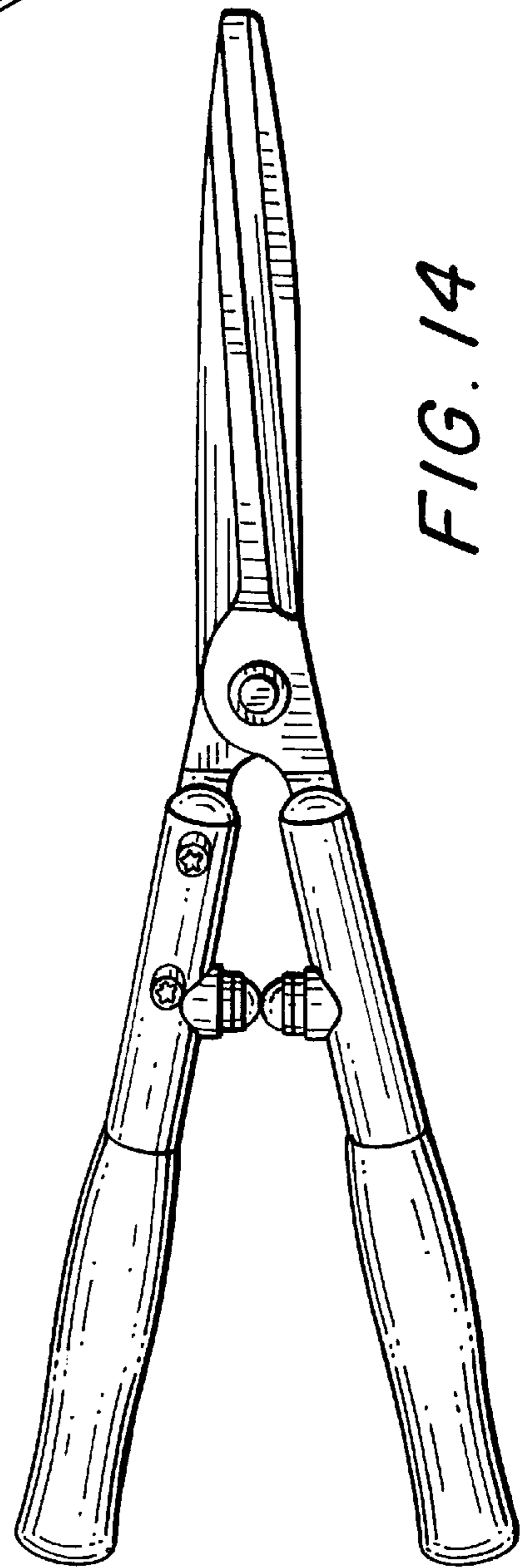


FIG. 14

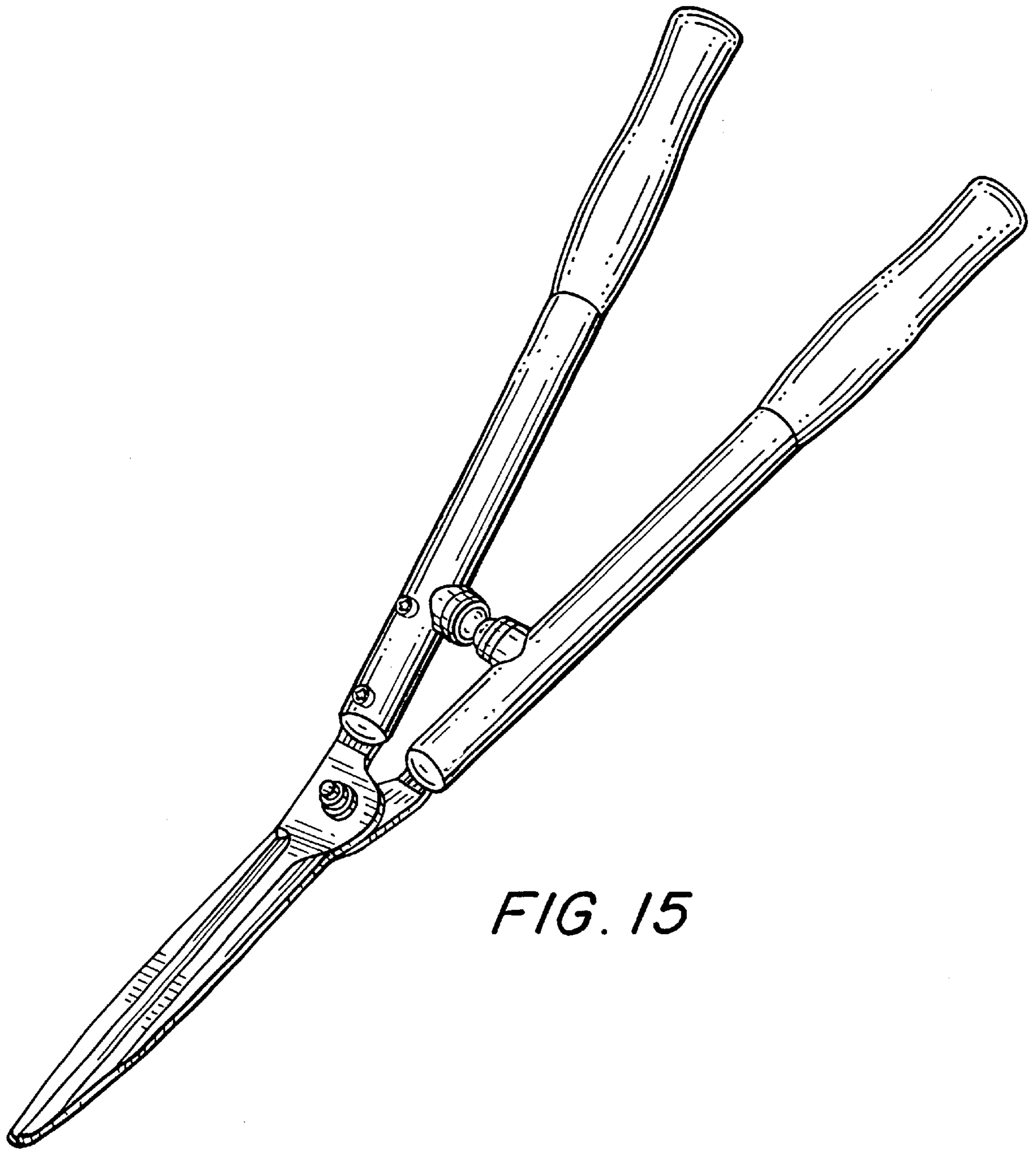


FIG. 15

