



US00D483233S

(12) **United States Design Patent**  
**Chen**

(10) **Patent No.:** **US D483,233 S**

(45) **Date of Patent:** **\*\* Dec. 9, 2003**

(54) **SPICE BOTTLE RACK**

D409,056 S \* 5/1999 Olson et al. .... D7/704

(76) **Inventor:** **Feng-Yin Chen**, No. 310-1, Sankang Rd., Lungchun Tsun, Lungching Hsiang, Taichung County (TW)

\* cited by examiner

*Primary Examiner*—Terry A. Wallace

(74) *Attorney, Agent, or Firm*—Rosenberg, Klein & Lee

(\*\*) **Term:** **14 Years**

(57) **CLAIM**

(21) **Appl. No.:** **29/155,454**

The ornamental design for a spice bottle rack, as shown and described.

(22) **Filed:** **Feb. 12, 2002**

**DESCRIPTION**

(51) **LOC (7) Cl.** ..... **07-06**

(52) **U.S. Cl.** ..... **D7/704**

(58) **Field of Search** ..... D7/701, 704, 707, D7/708; D6/449, 458, 459, 462, 468, 567, 571, 574, 513, 514; 211/13.1, 41.1, 71.01, 74, 75, 106, 113, 119, 181.1

FIG. 1 is a perspective view of a spice bottle rack showing my new design;

FIG. 2 is a top plain view thereof;

FIG. 3 is a bottom plain view thereof;

FIG. 4 is a front elevational view thereof;

FIG. 5 is a rear elevational view thereof;

FIG. 6 is a left side elevational view thereof;

FIG. 7 is a right side elevational view thereof; and,

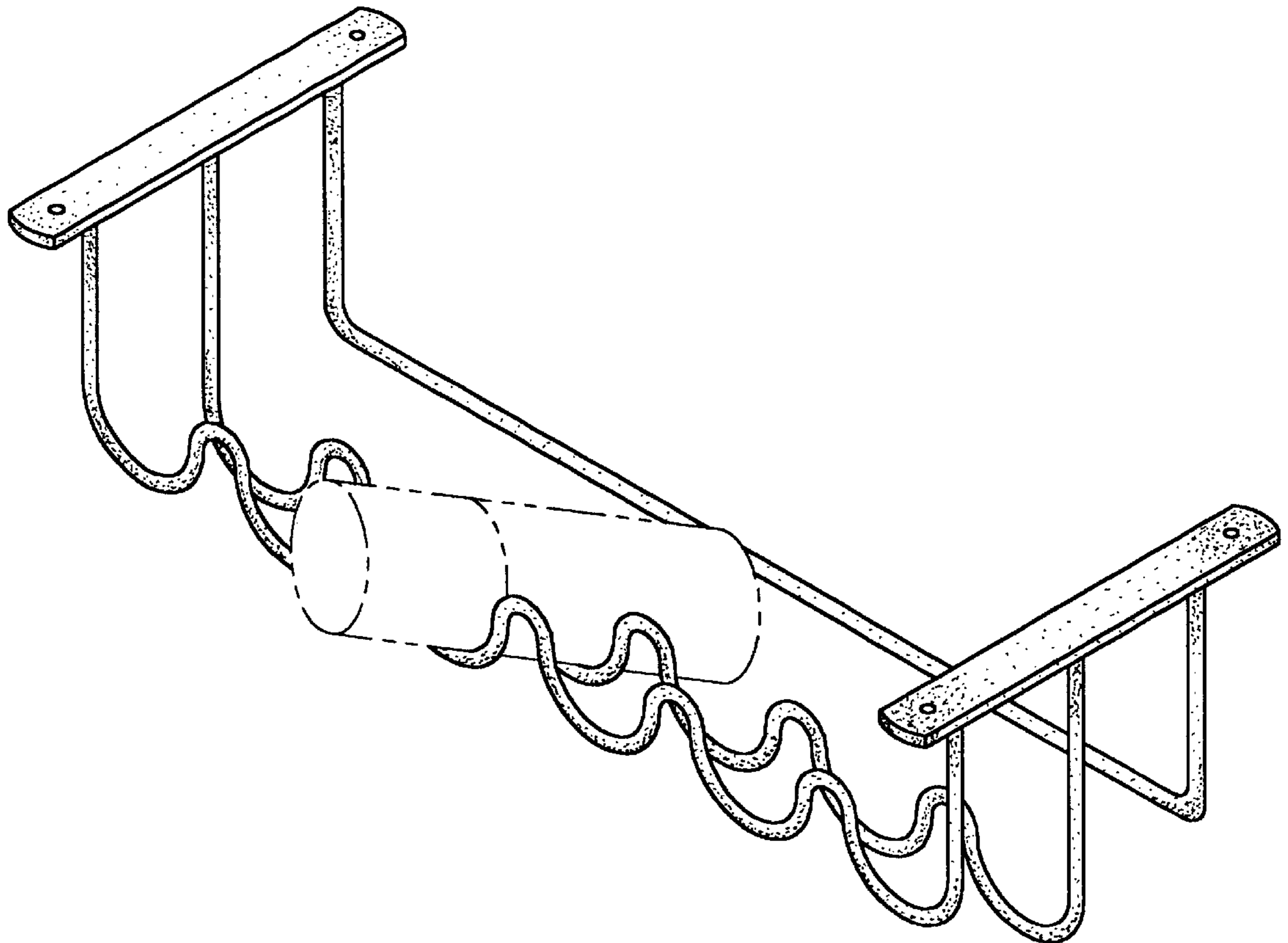
FIG. 8 is a perspective view thereof, the broken lines showing of the spice bottle is for illustrative purposes only and forms no part of the claimed design.

(56) **References Cited**

**U.S. PATENT DOCUMENTS**

D308,924 S	*	7/1990	VanNoord	.....	D6/513
D376,299 S	*	12/1996	Audet	.....	D7/704
D378,888 S	*	4/1997	Bertilsson	.....	D7/704
D393,388 S	*	4/1998	Chen	.....	D6/513

**1 Claim, 8 Drawing Sheets**



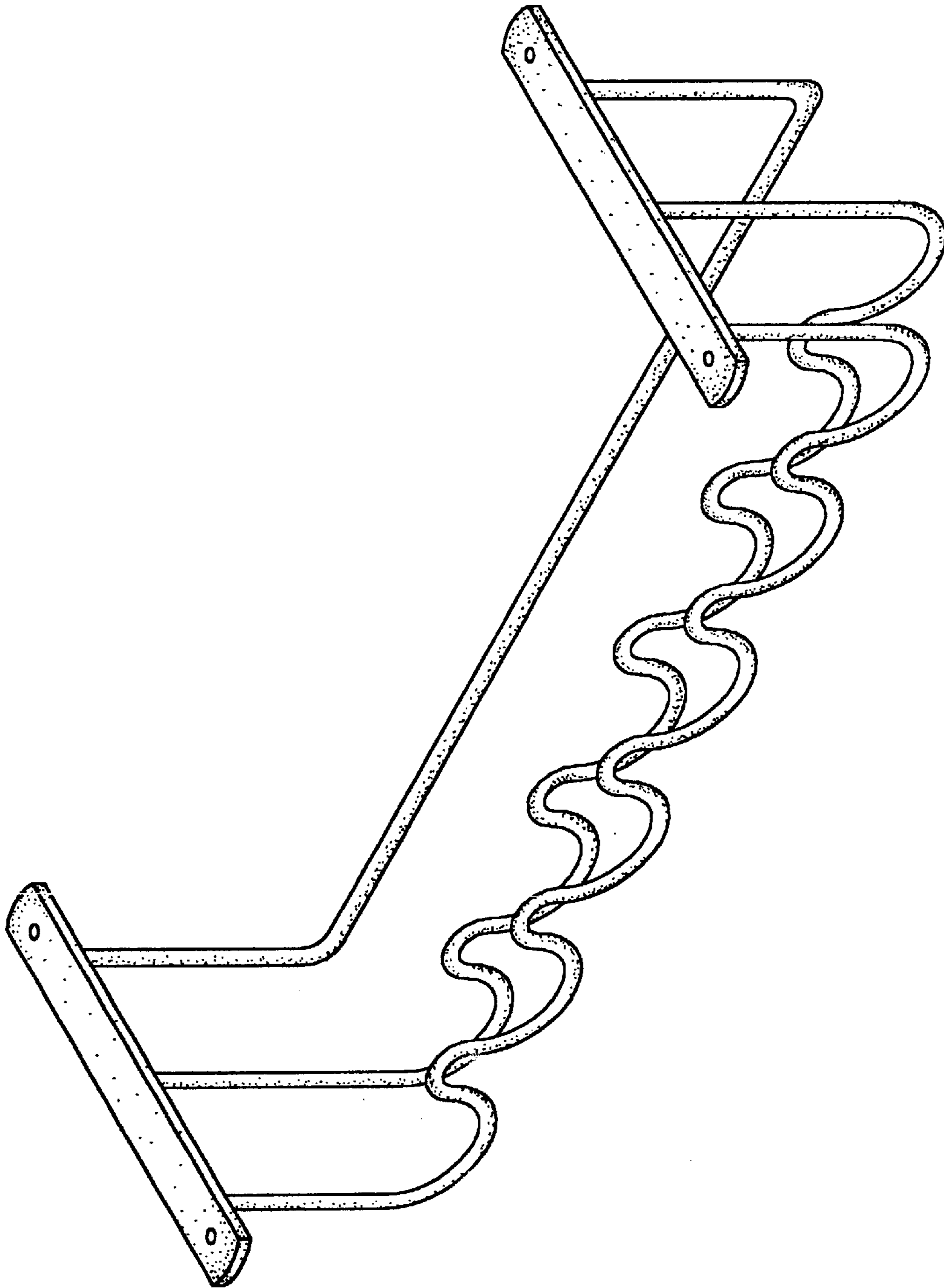


FIG.1

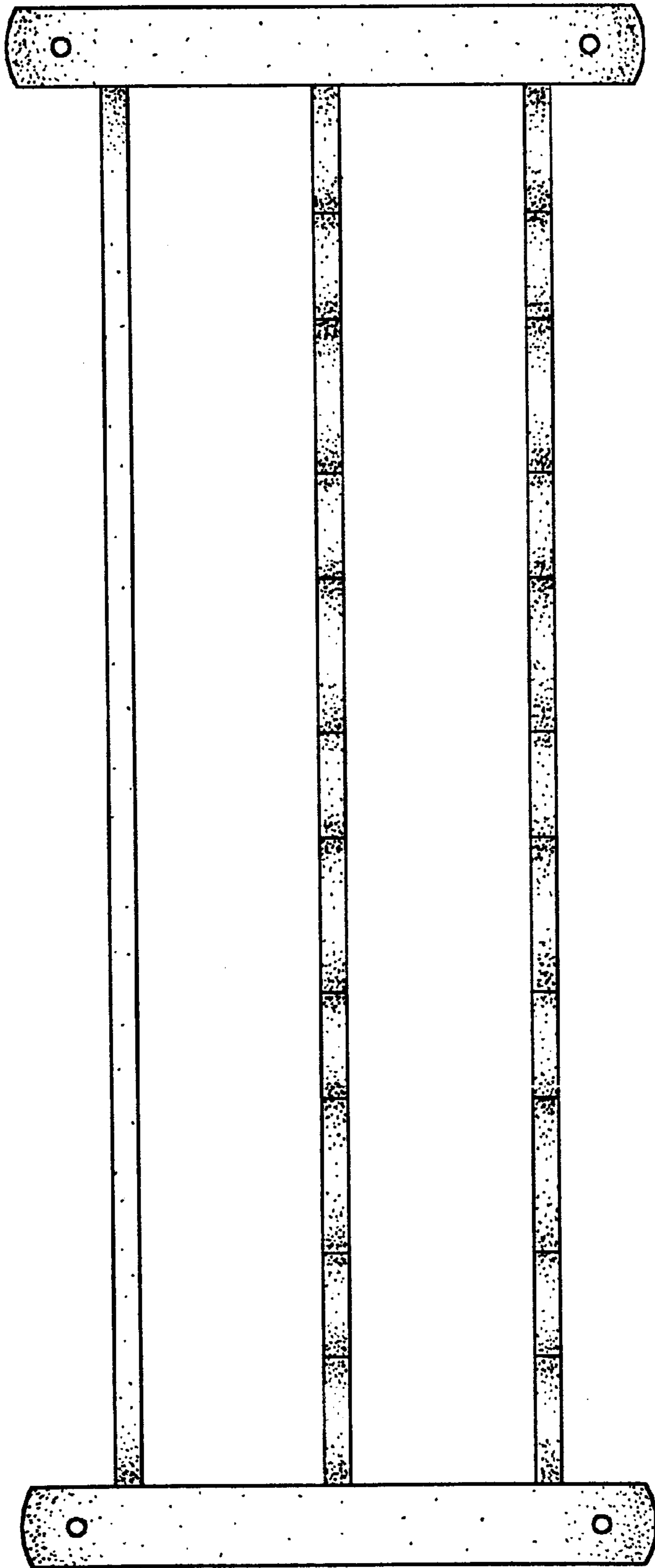


FIG.2

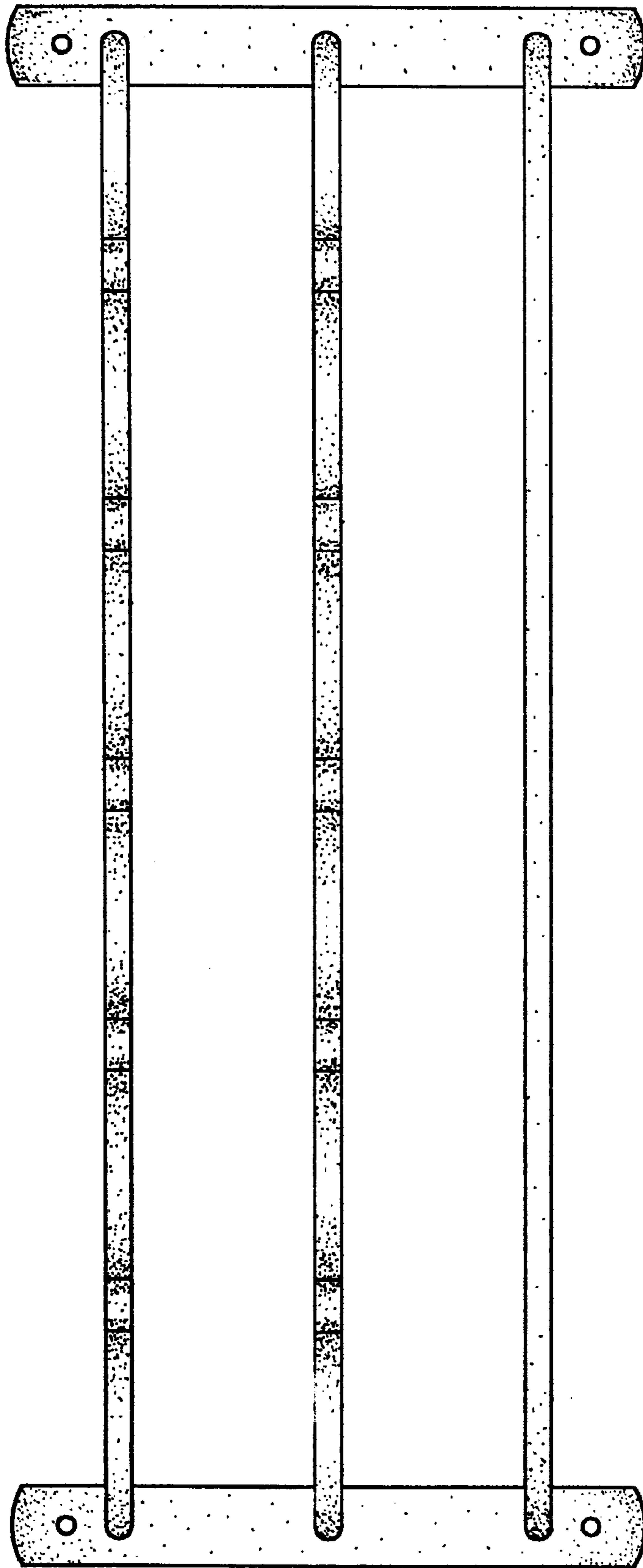


FIG. 3

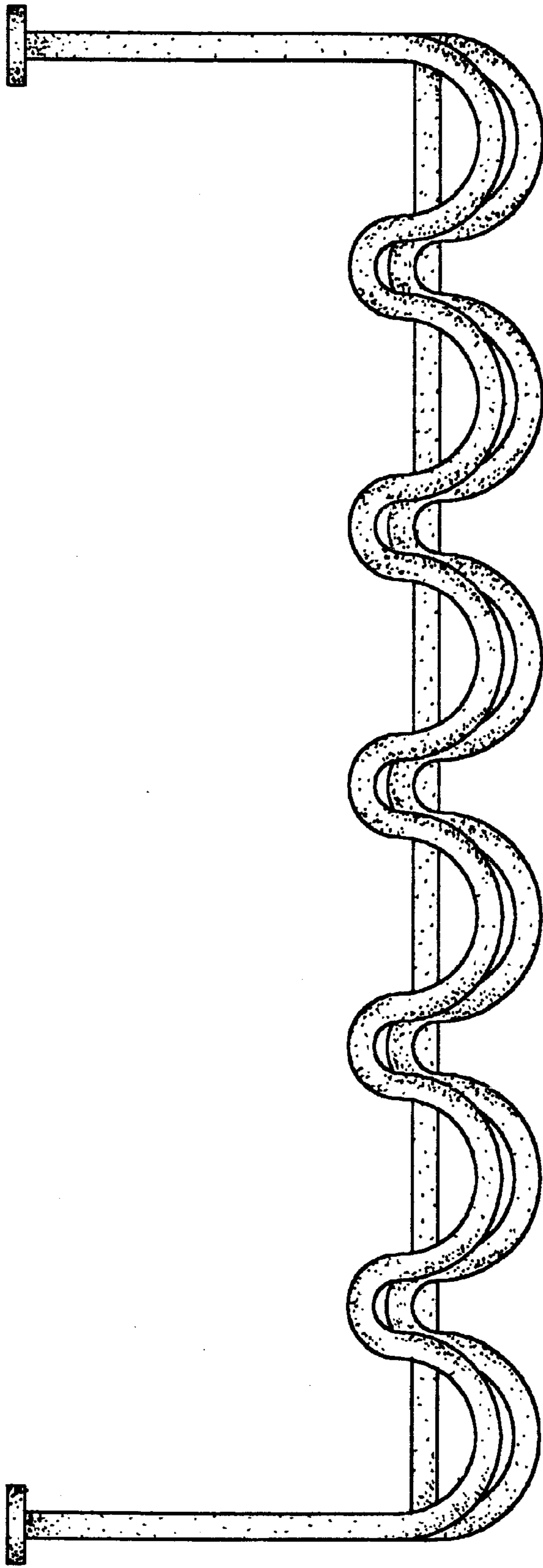


FIG. 4

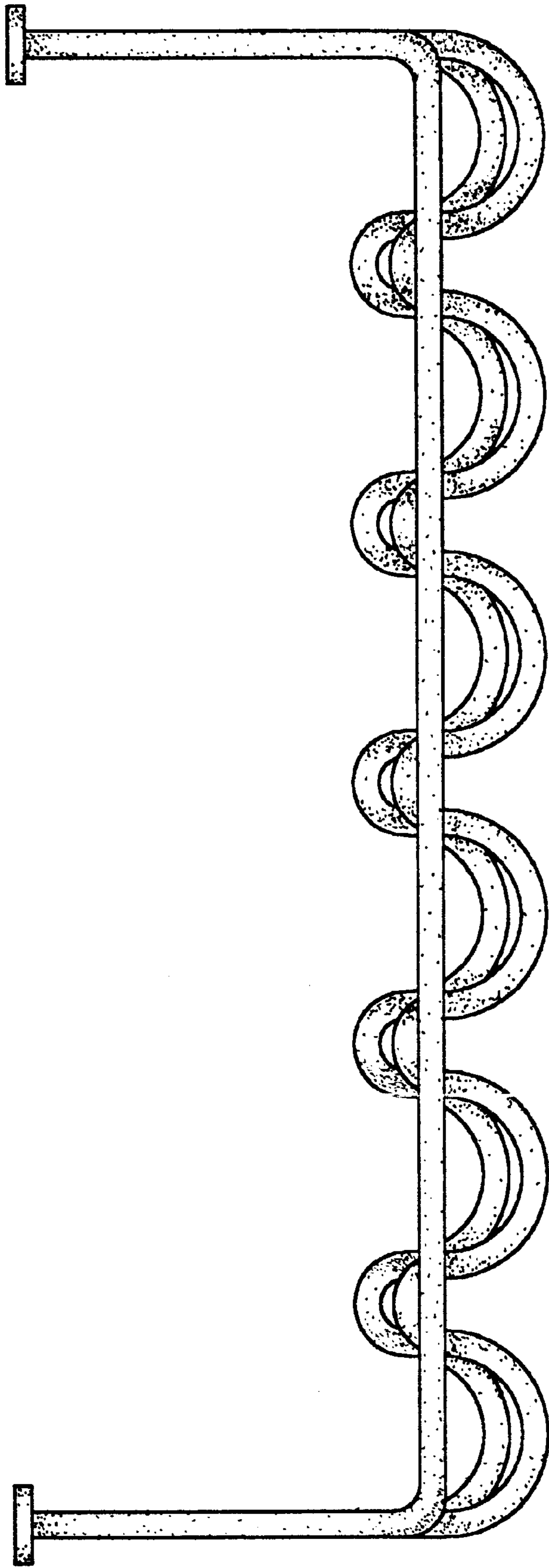


FIG.5

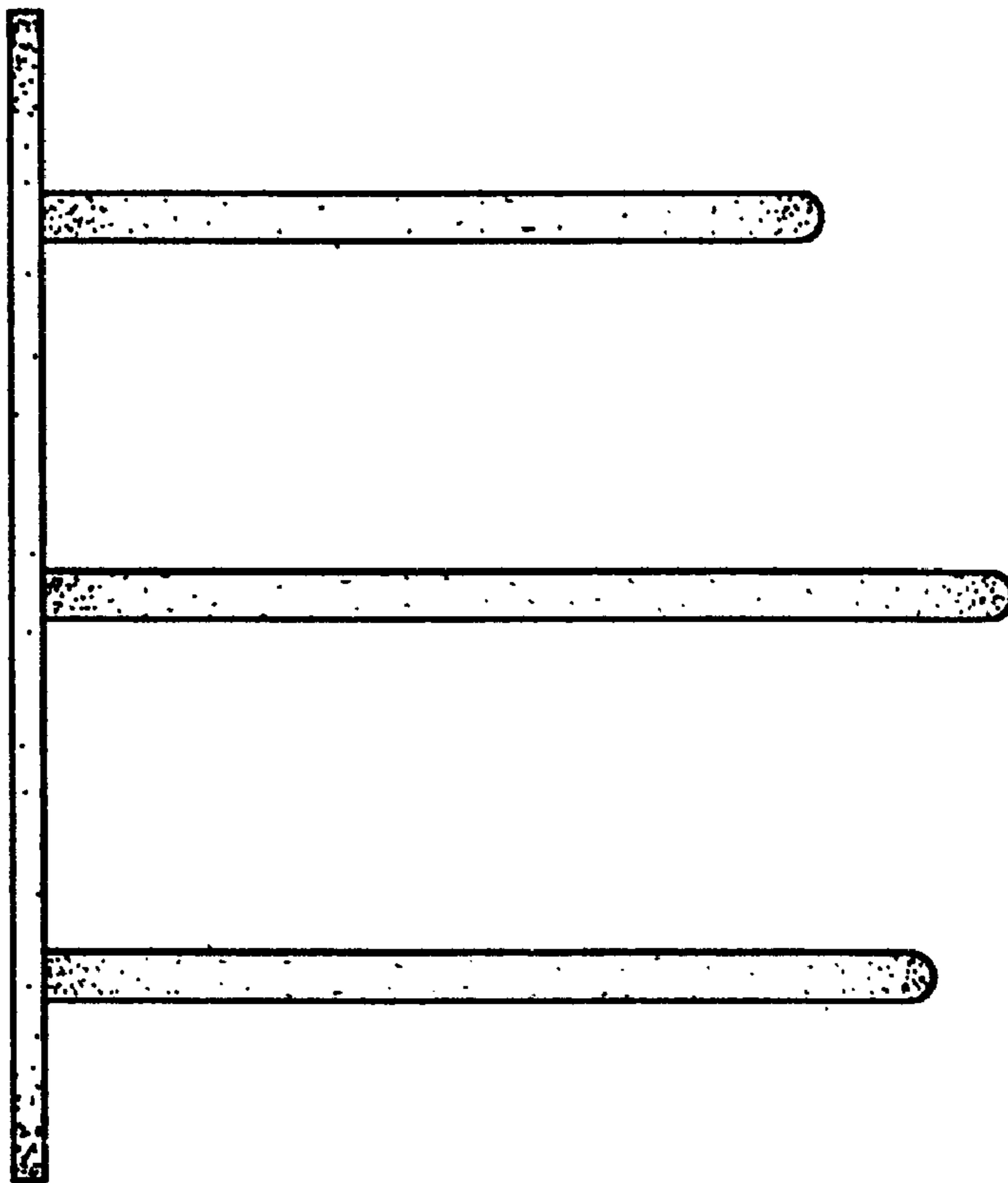


FIG.6

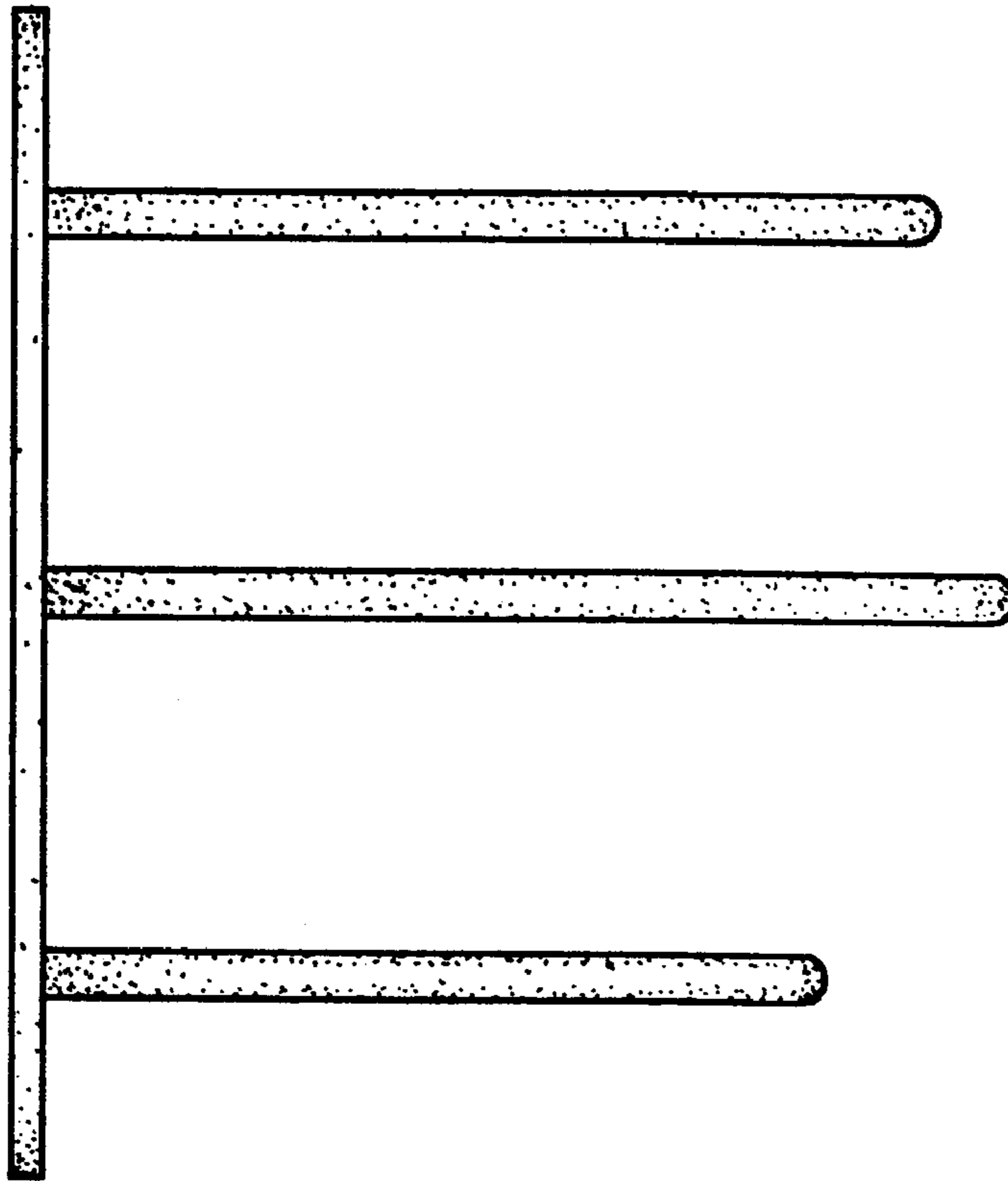


FIG. 7



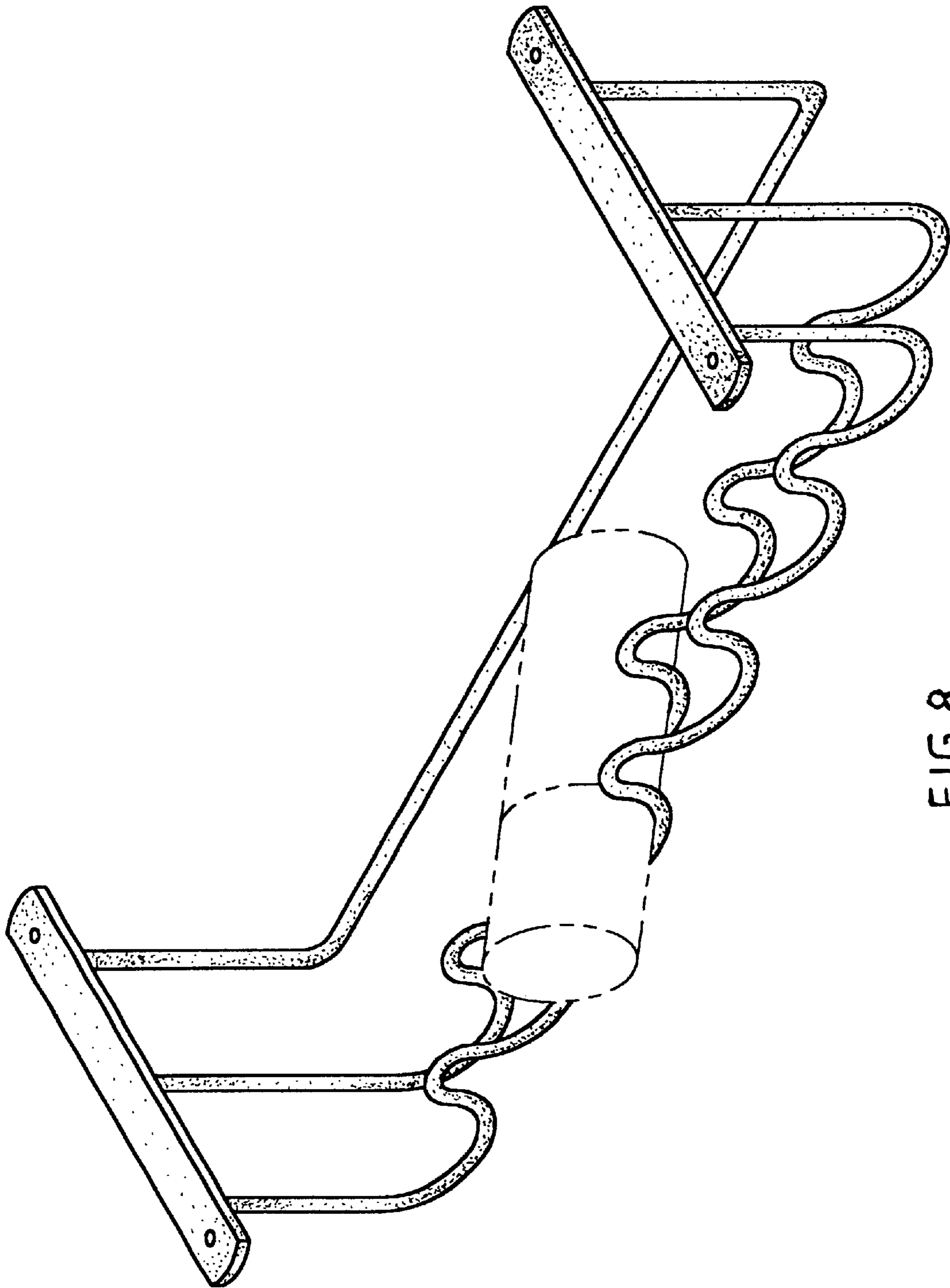


FIG. 8