



US00D483229S

(12) **United States Design Patent**
Maier-Aichen

(10) **Patent No.:** **US D483,229 S**

(45) **Date of Patent:** **** *Dec. 9, 2003**

(54) **BOWL**

WO DM/060038 * 4/2002

(75) Inventor: **Hans Maier-Aichen**, Leinfelden (DE)

* cited by examiner

(73) Assignee: **Design Ideas, Ltd.**, Springfield, IL (US)

Primary Examiner—Charles A. Rademaker
(74) *Attorney, Agent, or Firm*—SAIDMAN DesignLaw Group

(*) Notice: This patent is subject to a terminal disclaimer.

(57) **CLAIM**

(**) Term: **14 Years**

The ornamental design for a bowl, as shown and described.

(21) Appl. No.: **29/180,550**

DESCRIPTION

(22) Filed: **Apr. 25, 2003**

FIG. 1 is a top, perspective view of a first embodiment of a bowl of my design;

Related U.S. Application Data

FIG. 2 is a side view thereof;

(62) Division of application No. 29/175,975, filed on Feb. 13, 2003.

FIG. 3 is a top view thereof;

(51) **LOC (7) Cl.** **07-01**

FIG. 4 is a bottom view thereof;

(52) **U.S. Cl.** **D7/584**

FIG. 5 is a top, perspective view of a second embodiment thereof;

(58) **Field of Search** D7/584–587, 575, D7/601, 602, 300, 354, 501; 220/574, 575

FIG. 6 is a side view thereof;

FIG. 7 is a top view thereof; and,

FIG. 8 is a bottom view thereof.

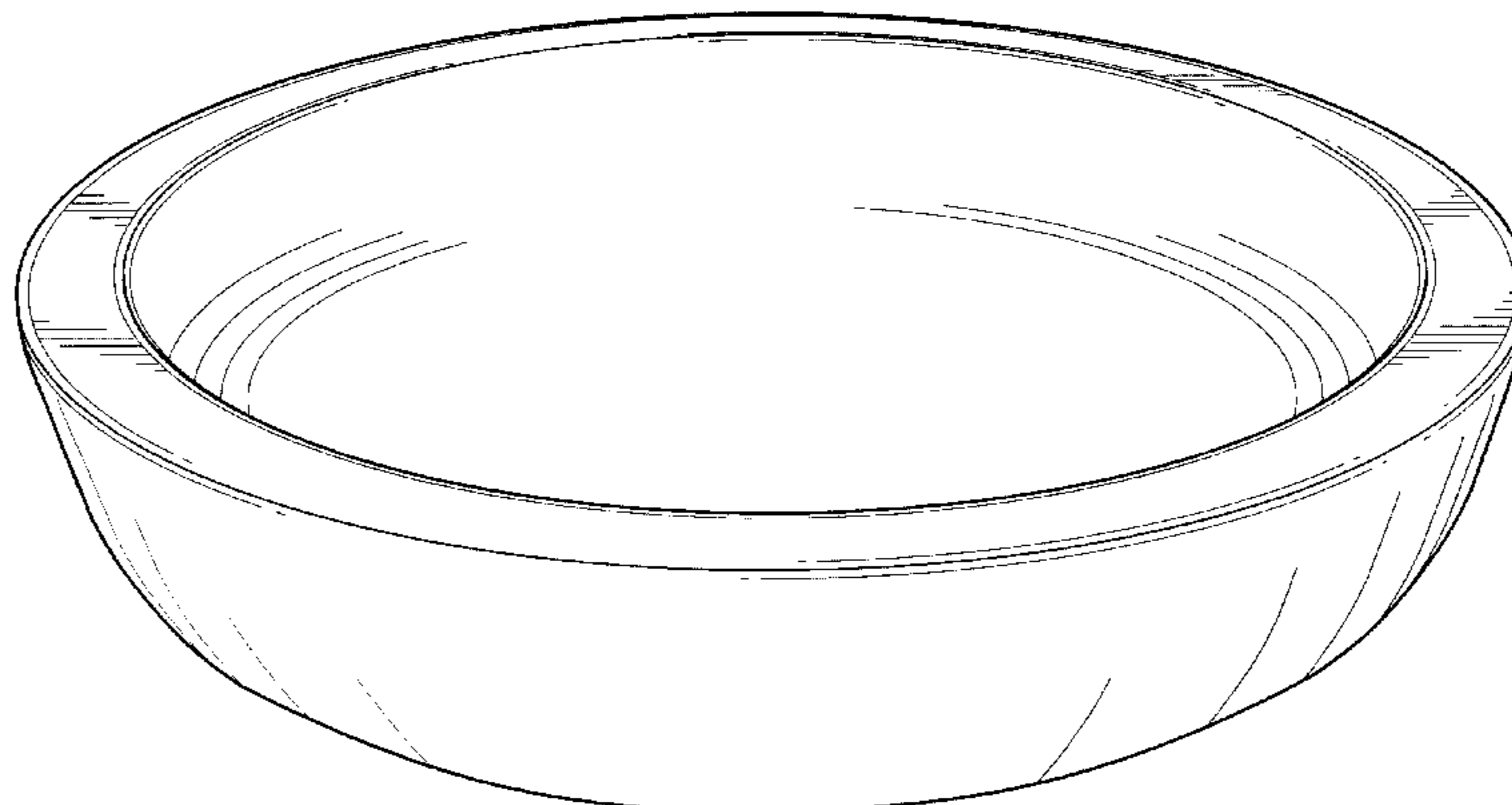
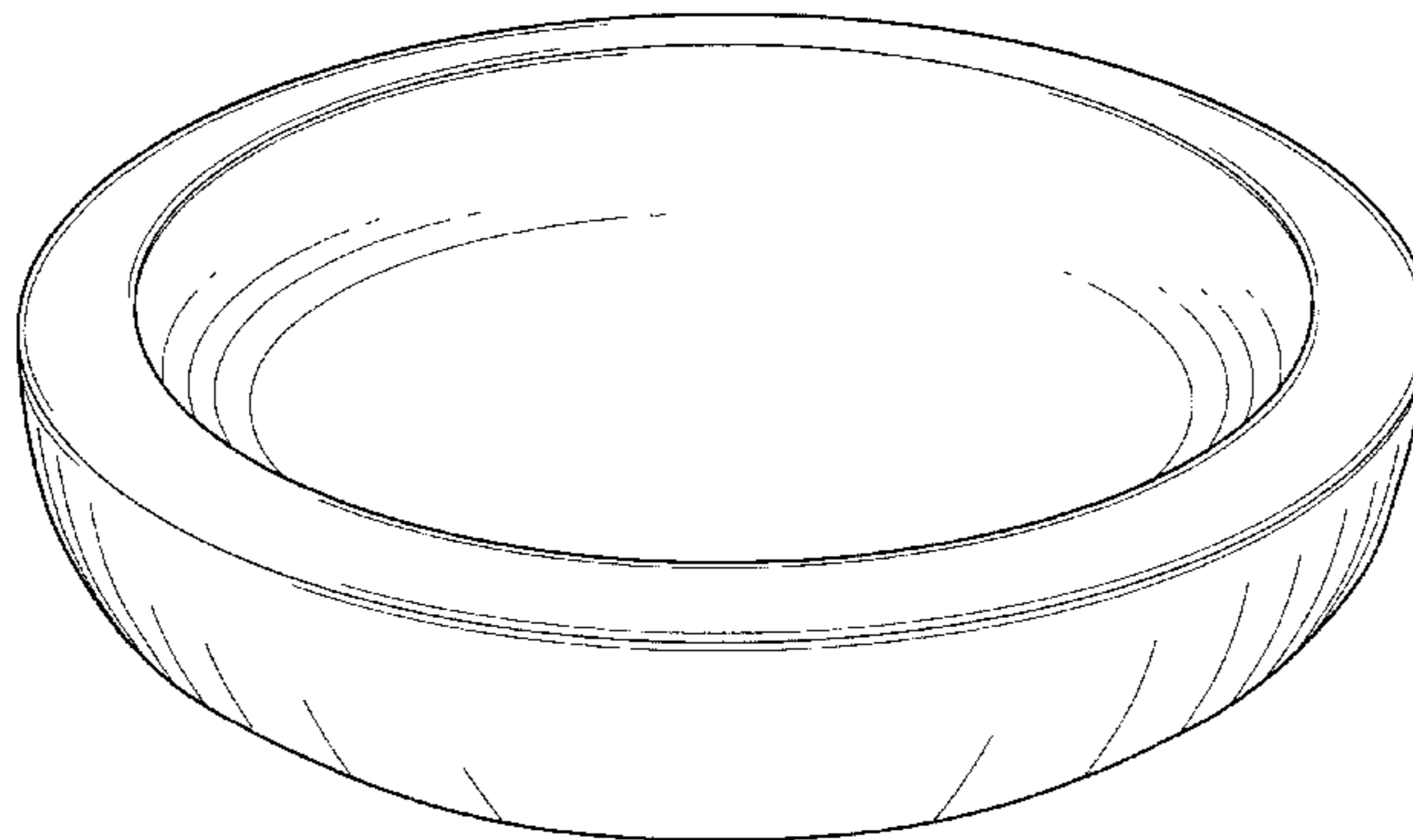
(56) **References Cited**

The broken lines in the drawings form no part of the claimed design.

FOREIGN PATENT DOCUMENTS

WO DM/058791 * 1/2002

1 Claim, 8 Drawing Sheets



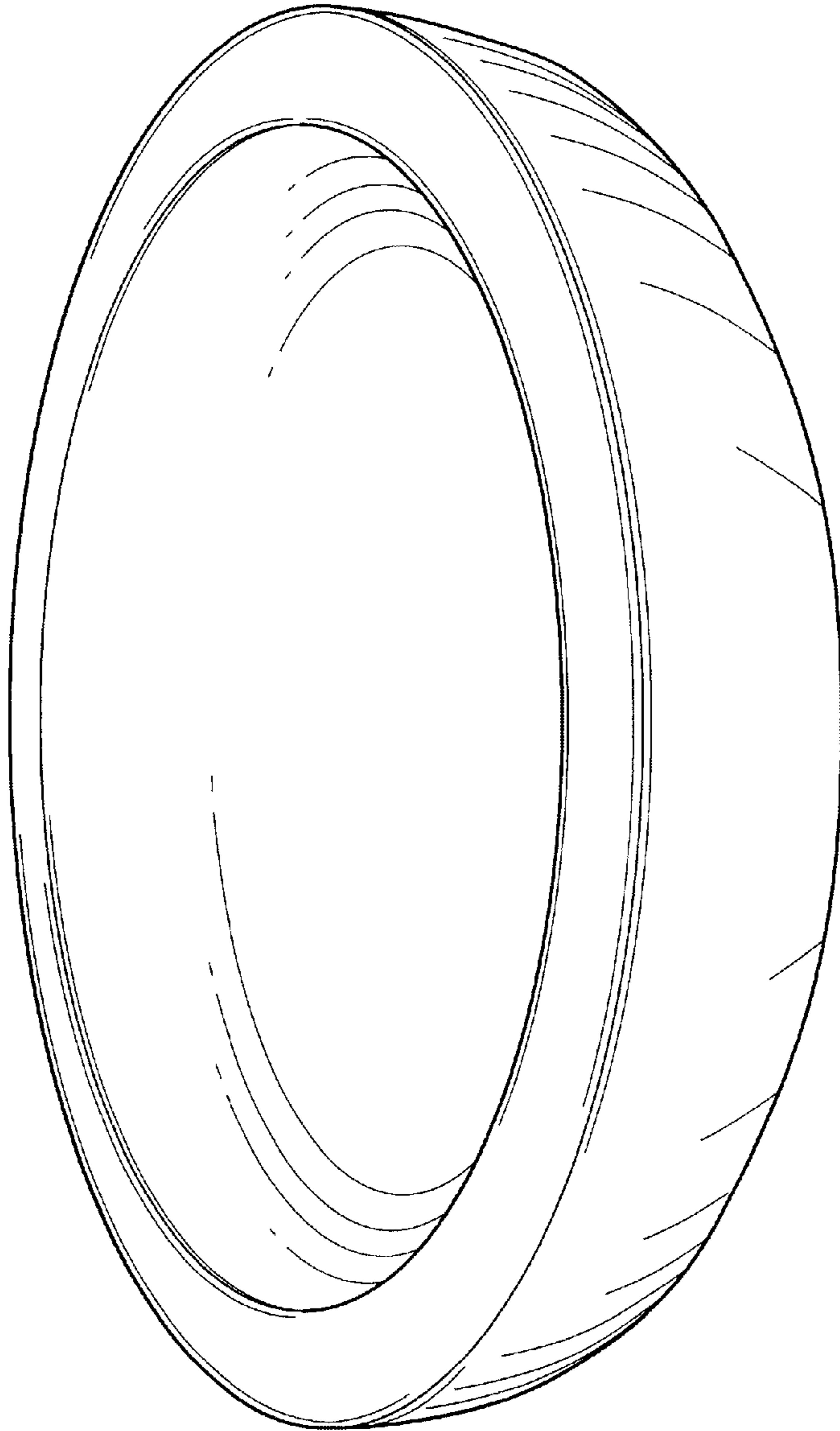


FIG. 1

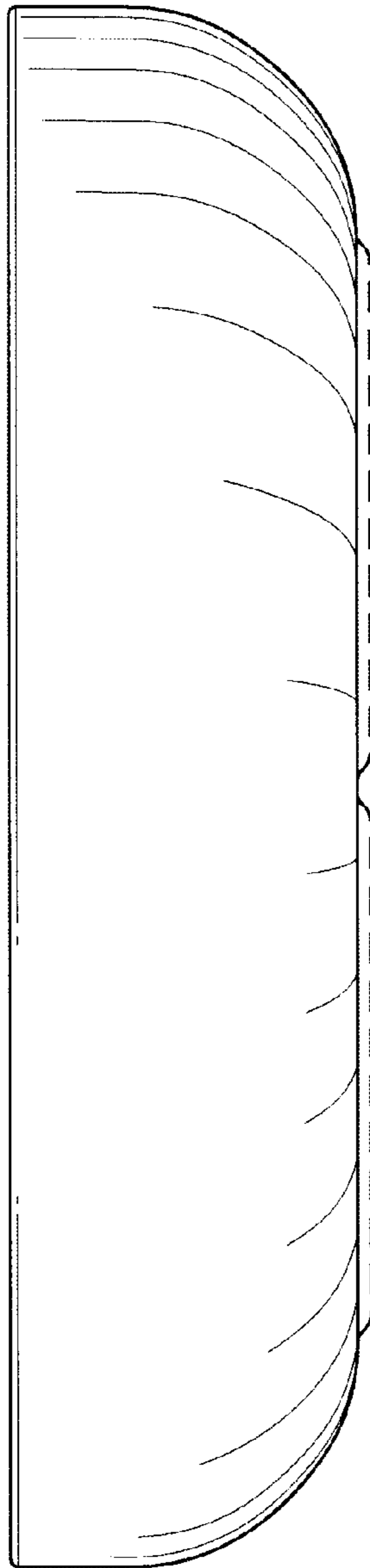


FIG.2

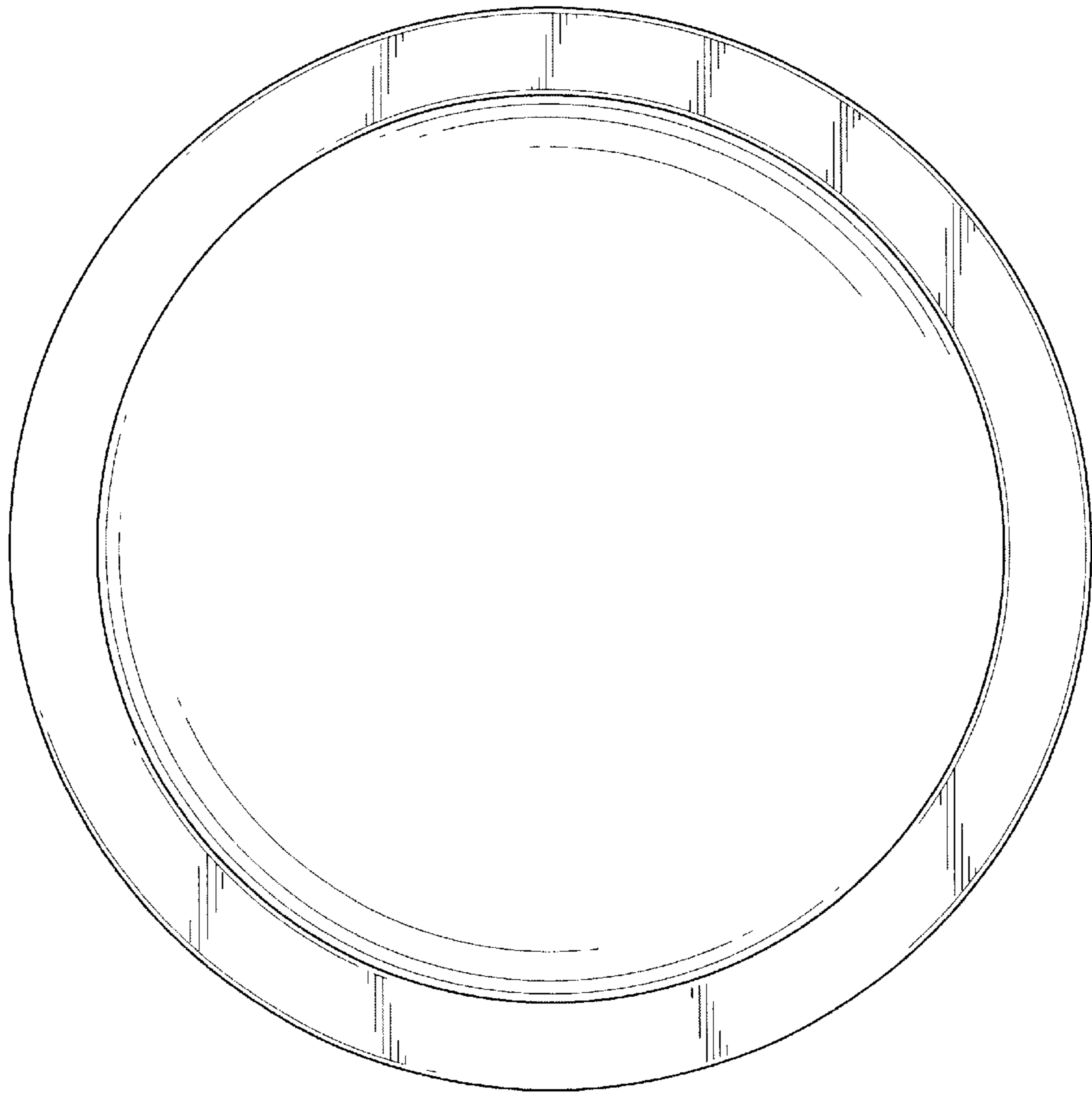


FIG. 3

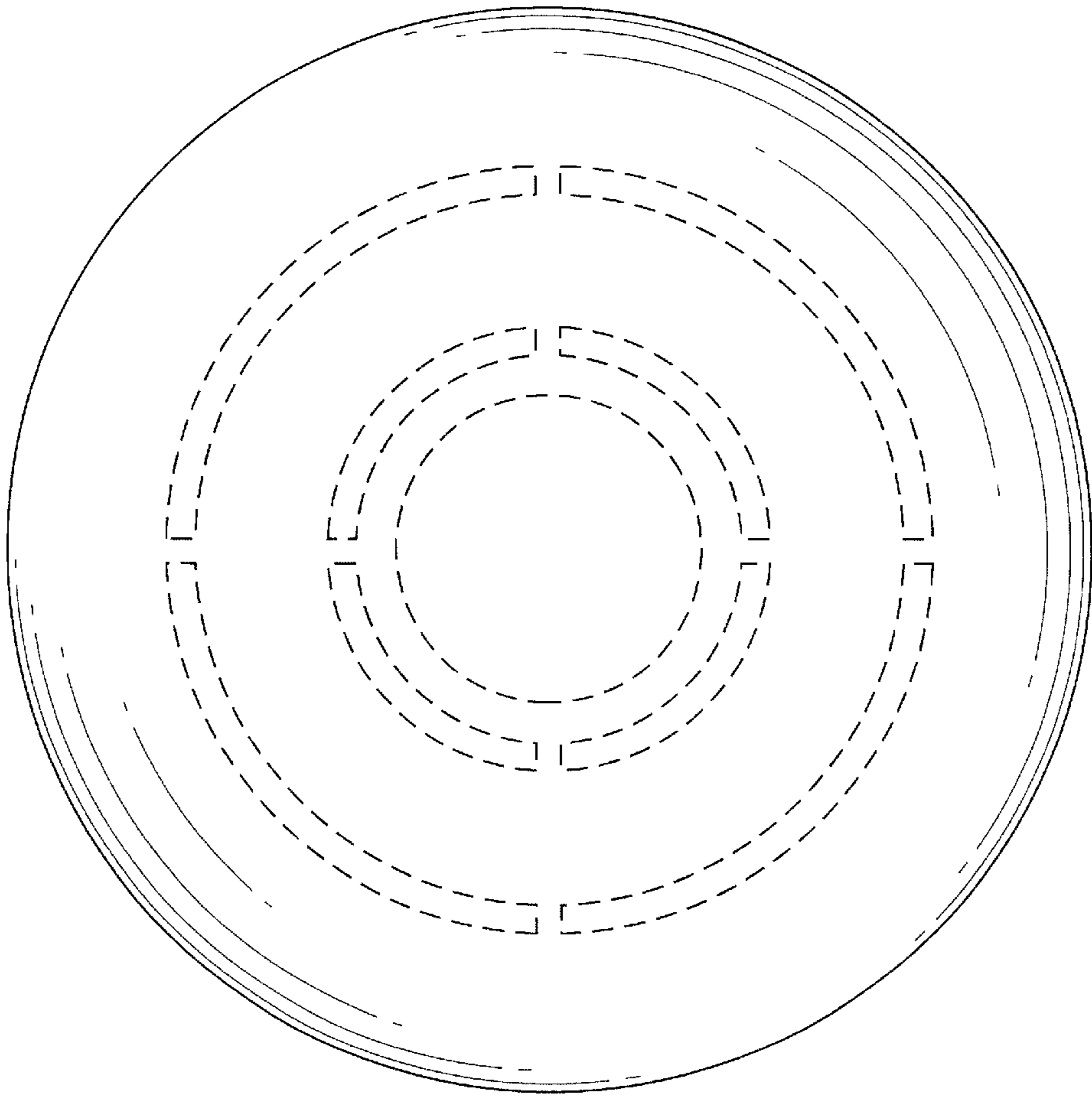


FIG.4

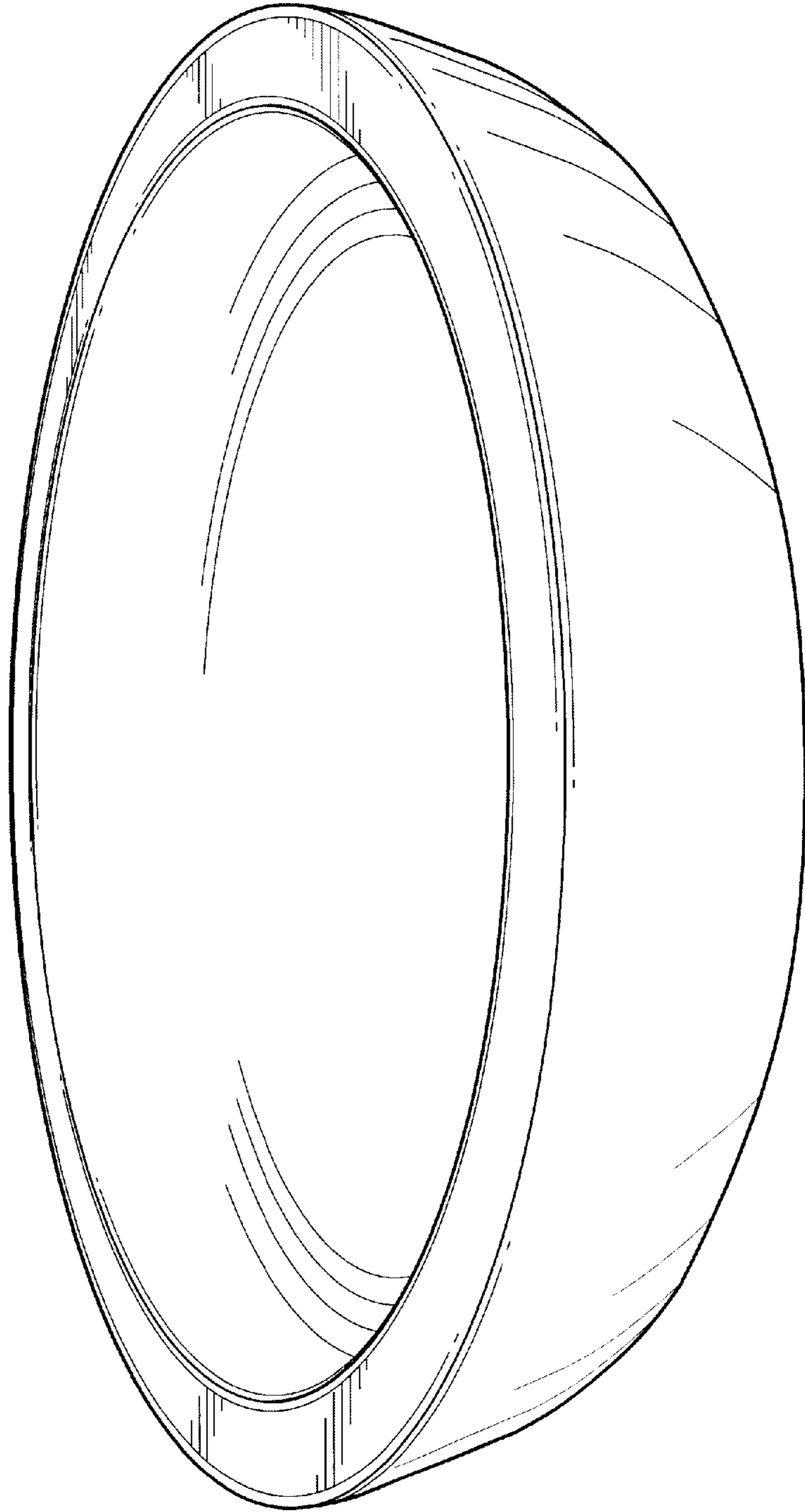


FIG. 5

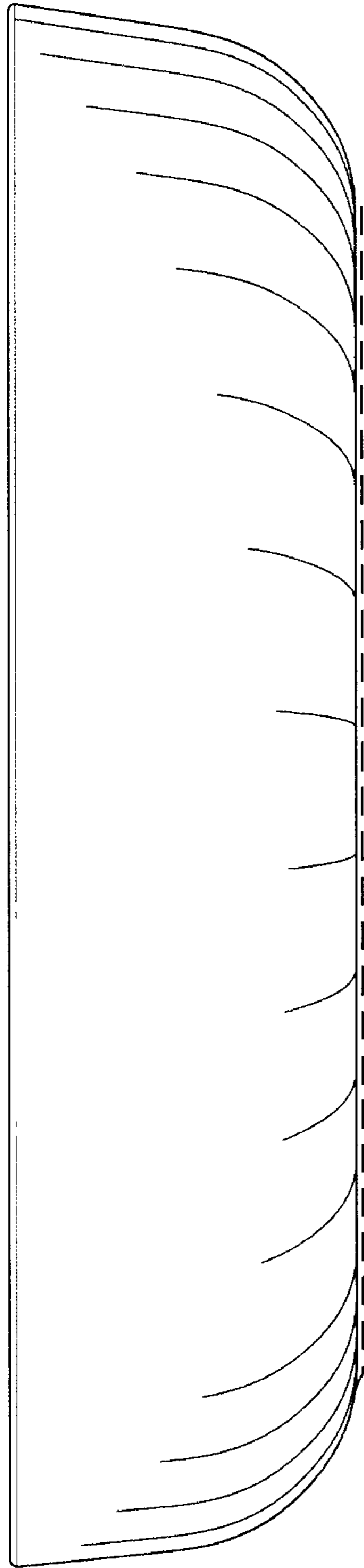


FIG. 6

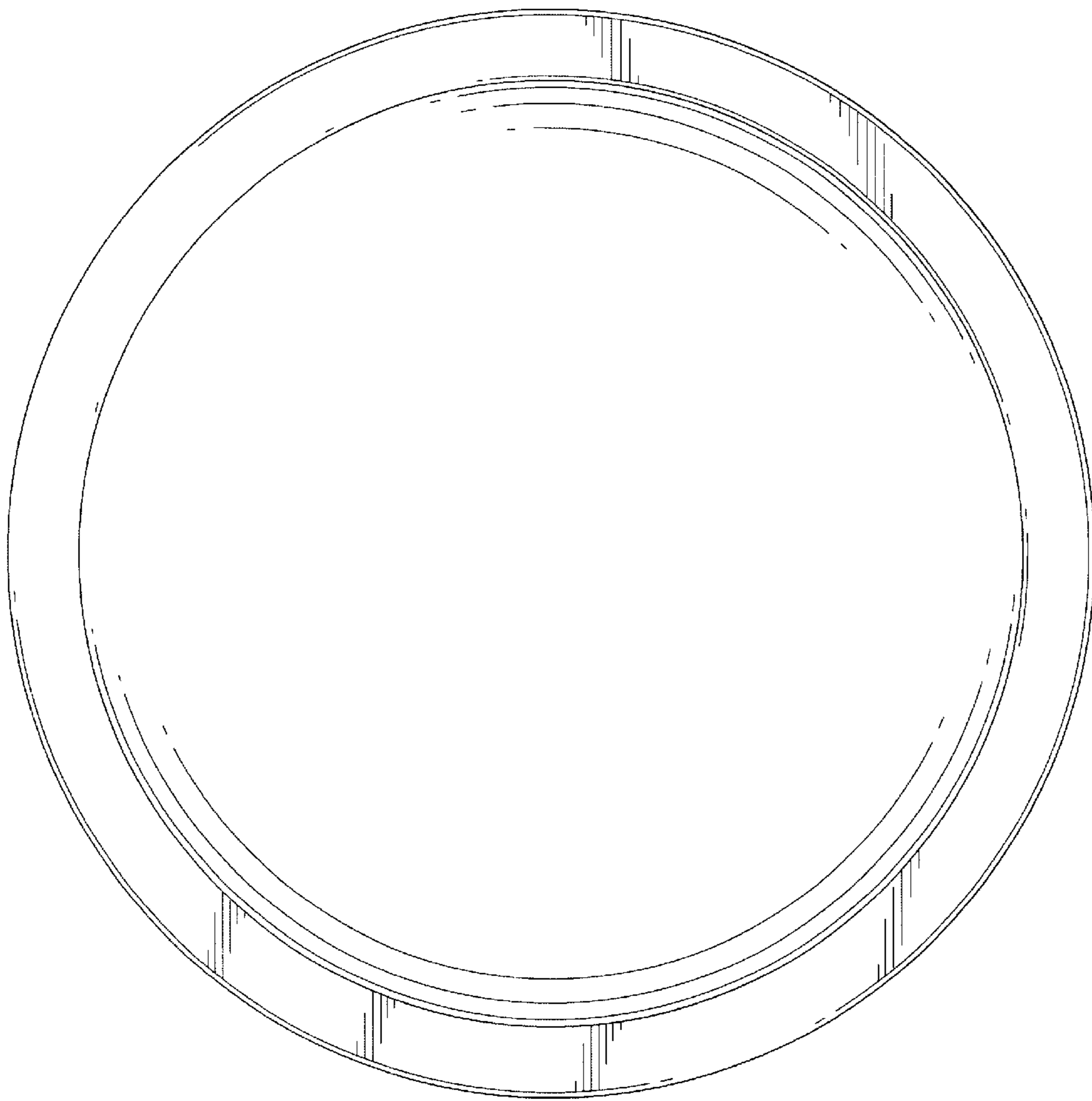


FIG. 7

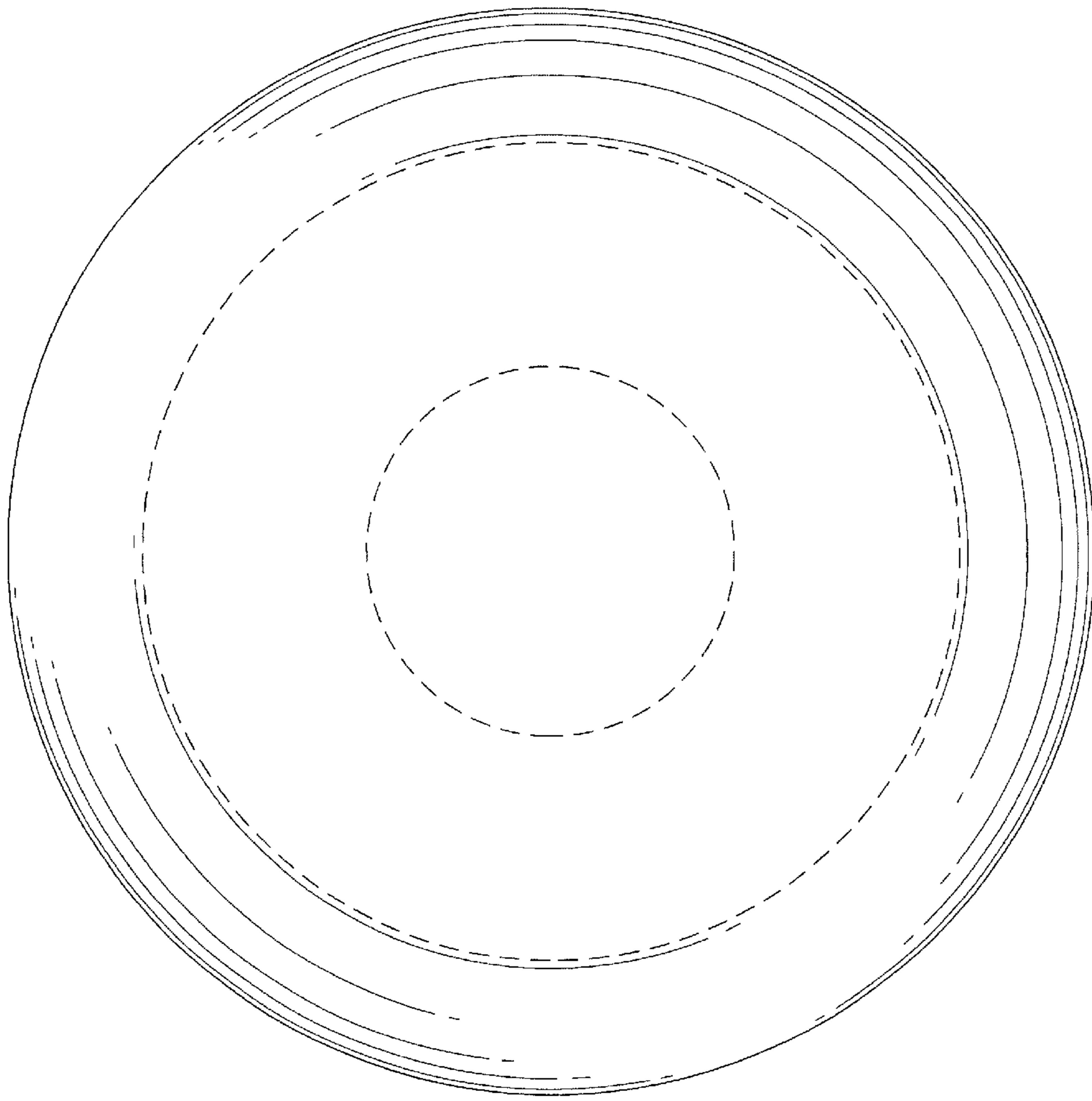


FIG. 8

UNITED STATES PATENT AND TRADEMARK OFFICE
CERTIFICATE OF CORRECTION

PATENT NO. : Des. 483,229 S
DATED : December 9, 2003
INVENTOR(S) : Hans Maier-Aichen

Page 1 of 2

It is certified that error appears in the above-identified patent and that said Letters Patent is hereby corrected as shown below:

Title page,

Item [56], **References Cited**, U.S. PATENT DOCUMENTS, please include the following references:

-- Des. 54,110	11/04/1919	Mchale et al.
Des. 55,222	05/18/1920	Wentz
Des. 158,350	04/25/1950	Wright
Des. 219,052	10/27/1970	Gulotta
Des. 244,338	05/17/1977	Yauger
Des. 276,870	12/25/1984	Gulotta
Des. 299,801	02/14/1989	Basitodos
Des. 353,230	12/06/1994	Reusche et al.
Des. 356,717	03/28/1995	Smith
Des. 391,118	02/24/1998	Jorgensen
Des. 393,777	04/28/1998	Bernard
D432,868	10/31 /2000	Tan
D442,831	05/29/2001	Jacobs
D459,635	07/02/2002	Henry
99,200	01/25/1870	Jarboe
948,434	02/08/1910	Scott
2,492,892	12/27/1949	Schlumbohm
5,269,717	12/14/1993	Tardif

FOREIGN PATENT DOCUMENTS, please include the following references:

-- 2204417	08/2001	Yo!, Great Britain
3004546	06/2002	Linden, Great Britain --

UNITED STATES PATENT AND TRADEMARK OFFICE
CERTIFICATE OF CORRECTION

PATENT NO. : Des. 483,229 S
DATED : December 9, 2003
INVENTOR(S) : Hans Maier-Aichen

Page 2 of 2

It is certified that error appears in the above-identified patent and that said Letters Patent is hereby corrected as shown below:

Title page (cont'd),

OTHER PUBLICATIONS, please include the following references:

-- Fernandez, U.S. Patent Application Publication No. US 2002/0096528 A1, published 07/25/2002

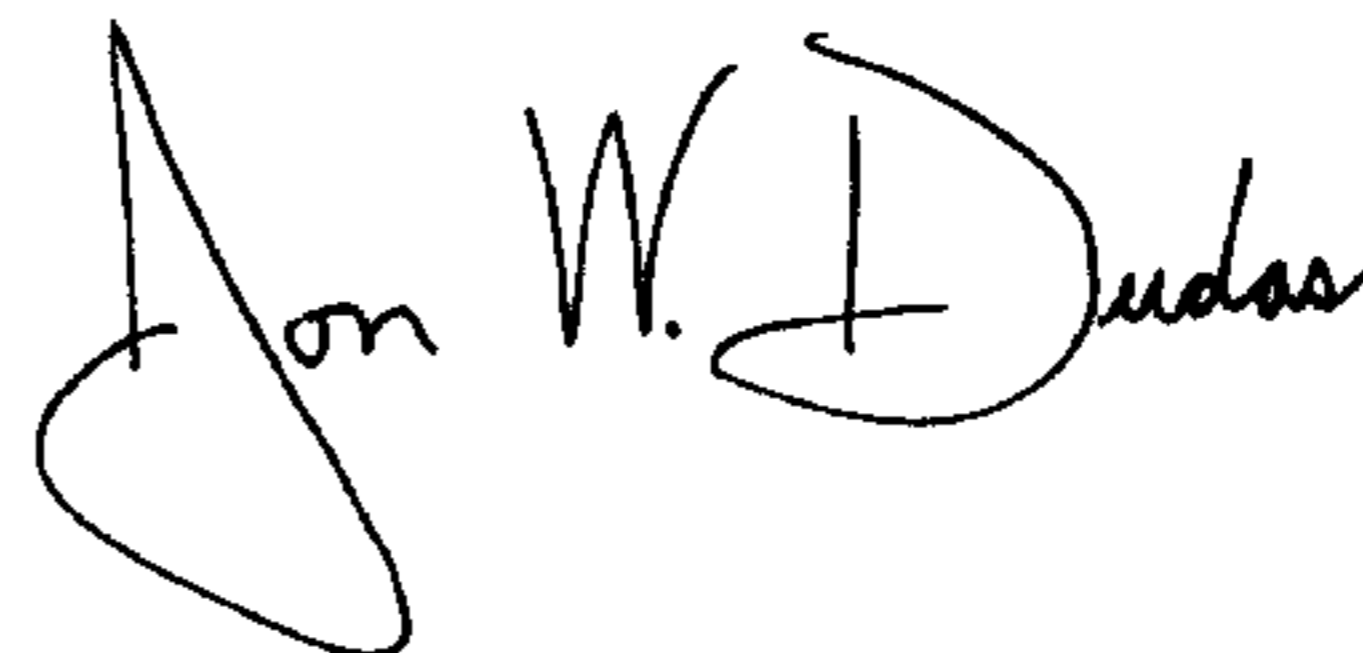
Tableware International America, Denby advertisement, bowl at lower left side of page, April 2002, page 4

Bloomindale's Catalog - Style Scandinavia, tea set shown at G, received 4/8/1985, page 9

Monongah Glass Company catalog, "Nappy", bowl item #11, received May 12, 1930, page 200 --

Signed and Sealed this

Third Day of February, 2004



JON W. DUDAS

Acting Director of the United States Patent and Trademark Office