



US00D483227S

(12) **United States Design Patent**
Oas

(10) **Patent No.:** **US D483,227 S**

(45) **Date of Patent:** **** Dec. 9, 2003**

(54) **CHIP AND DIP DISH**

(76) **Inventor:** **Daniel R. Oas**, 3630 Cypress St., El Monte, CA (US) 91731

(**) **Term:** **14 Years**

(21) **Appl. No.:** **29/178,921**

(22) **Filed:** **Apr. 3, 2003**

(51) **LOC (7) Cl.** **07-01**

(52) **U.S. Cl.** **D7/544; D7/551.1; D7/545; D7/556**

(58) **Field of Search** D7/551.1, 541, D7/539, 545, 544, 556, 559, 564, 567, 571, 506, 549, 546; 40/721; 206/184; 770/575, 23.83; 426/132, 106; D28/80

(56) **References Cited**

U.S. PATENT DOCUMENTS

- D164,056 S * 7/1951 Pasta D7/556
- D164,077 S * 7/1951 Wendell D7/556
- D167,087 S * 6/1952 Kyte D7/539 X
- D175,167 S * 7/1955 Hubbard D7/556
- 3,624,939 A * 12/1971 Gossard 40/721

- D231,301 S * 4/1974 Krieger D7/559
- 3,894,649 A * 7/1975 Nicholl 220/575
- D250,421 S * 11/1978 Reich D28/80
- D342,646 S * 12/1993 Sicard et al. D7/556
- D348,803 S * 7/1994 Aronson D7/544

* cited by examiner

Primary Examiner—M. N. Pandozzi

(74) *Attorney, Agent, or Firm*—Edgar W. Averill, Jr.

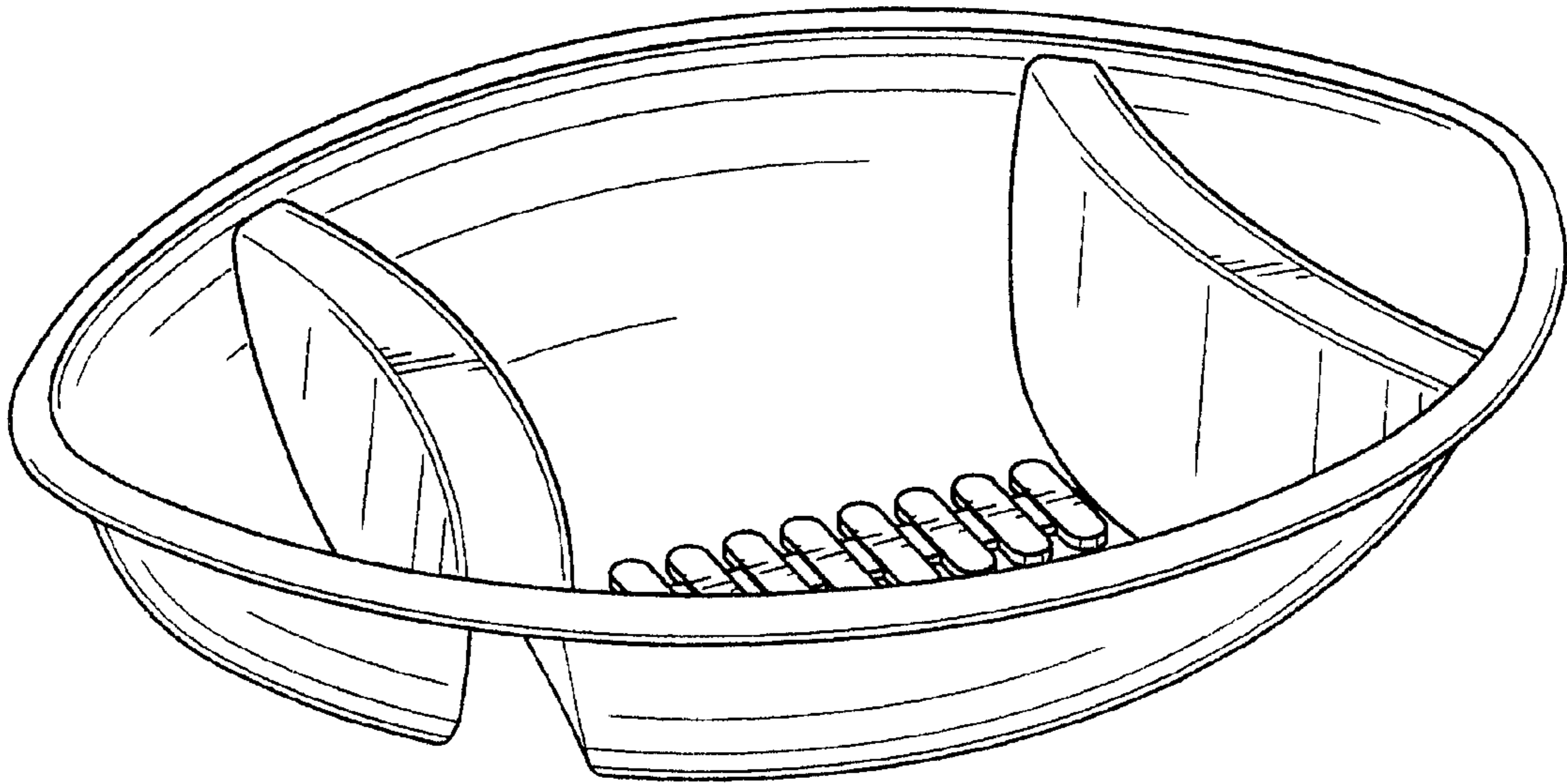
(57) **CLAIM**

The ornamental design for a chip and dip dish, as shown.

DESCRIPTION

FIG. 1 is a perspective view showing the top, front and left side of the chip and dip dish showing my new design;
 FIG. 2 is a perspective view showing the front and a portion of the underside thereof;
 FIG. 3 is a left side view thereof;
 FIG. 4 is a top view thereof;
 FIG. 5 is a bottom view thereof; and,
 FIG. 6 is a perspective view showing the back, bottom and right side thereof.

1 Claim, 3 Drawing Sheets



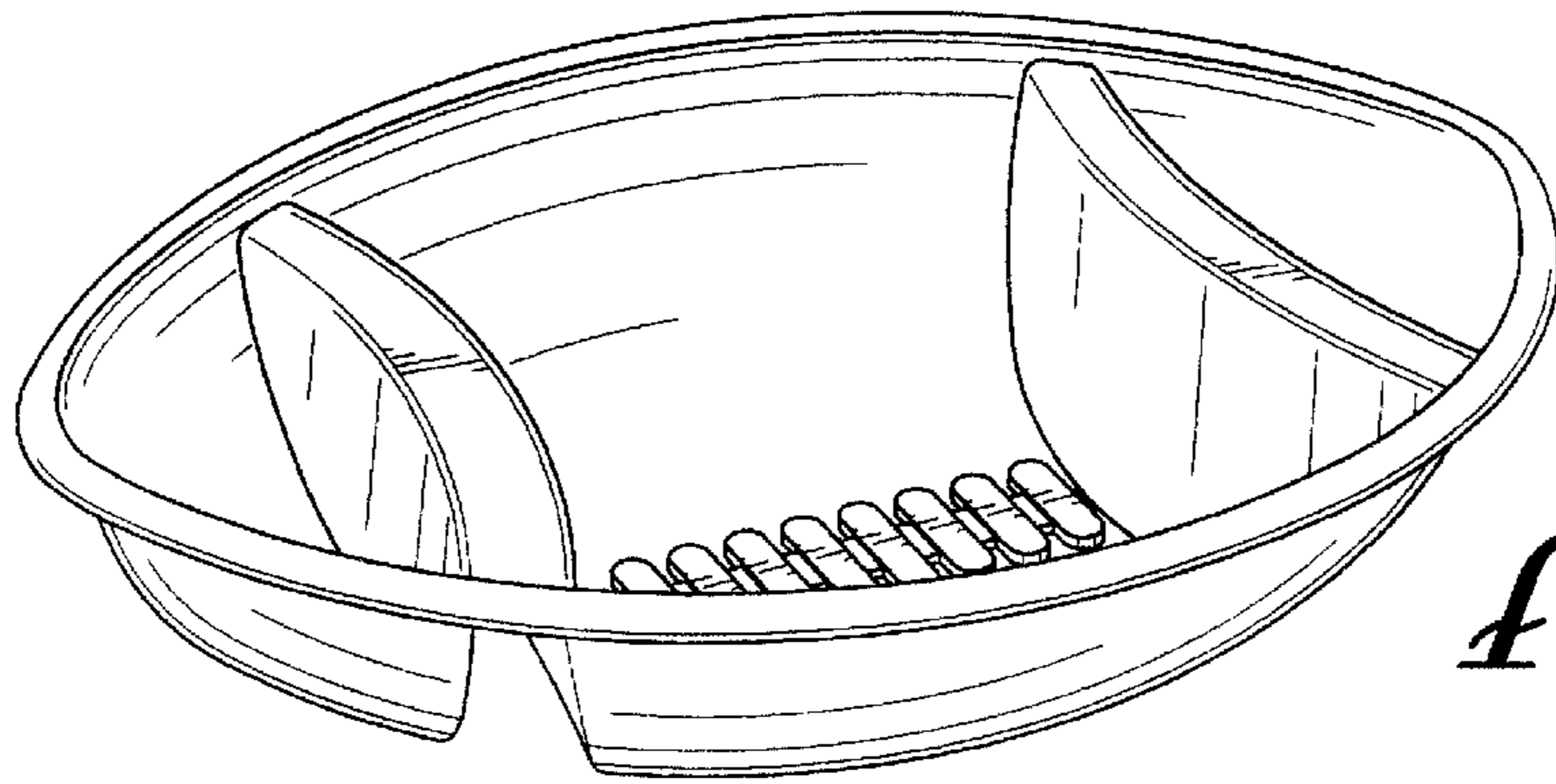


FIG. 1

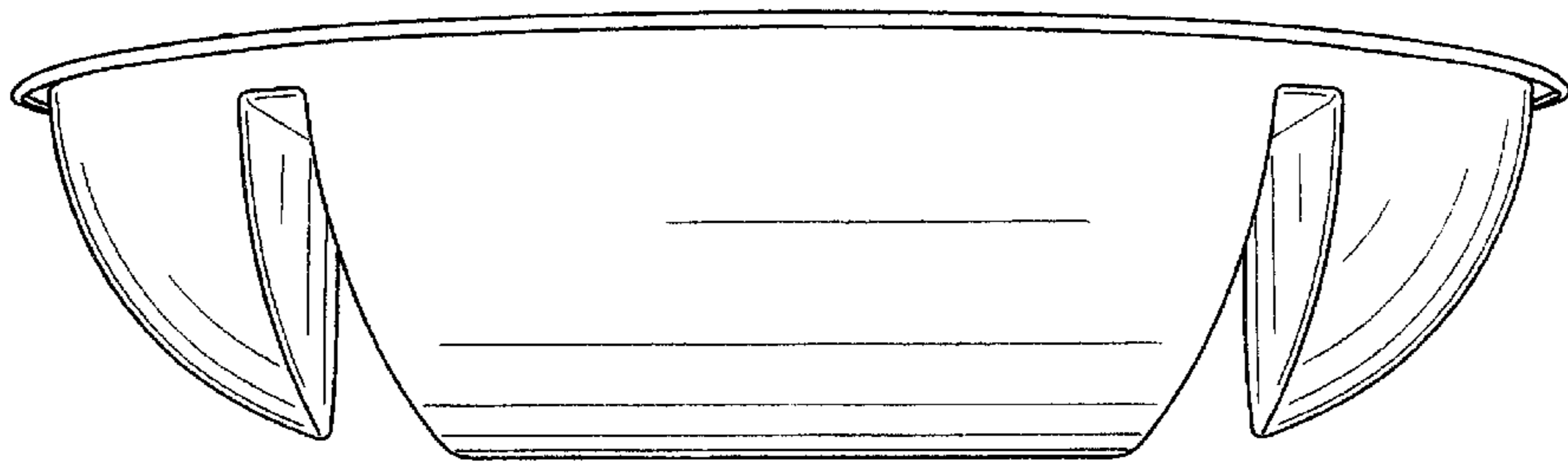


FIG. 2

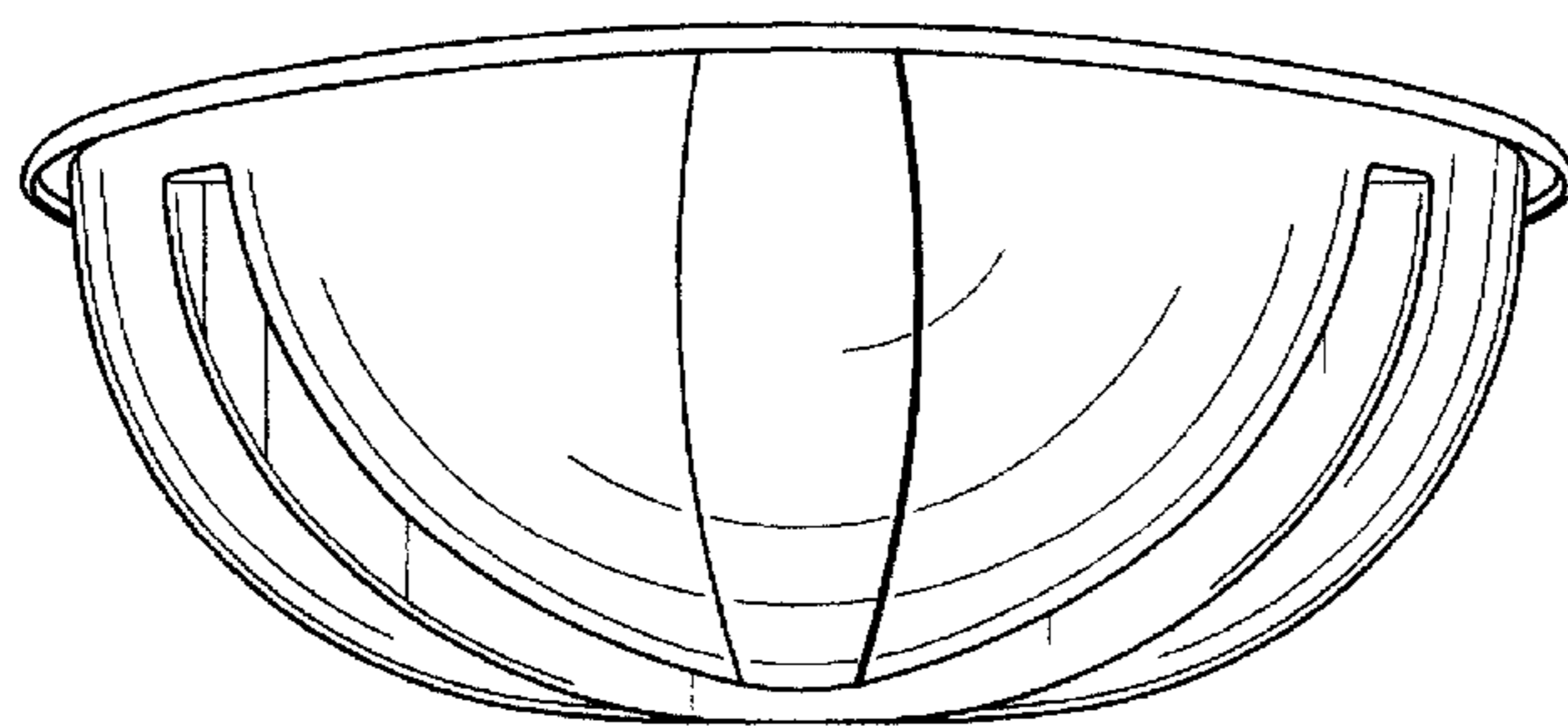


FIG. 3

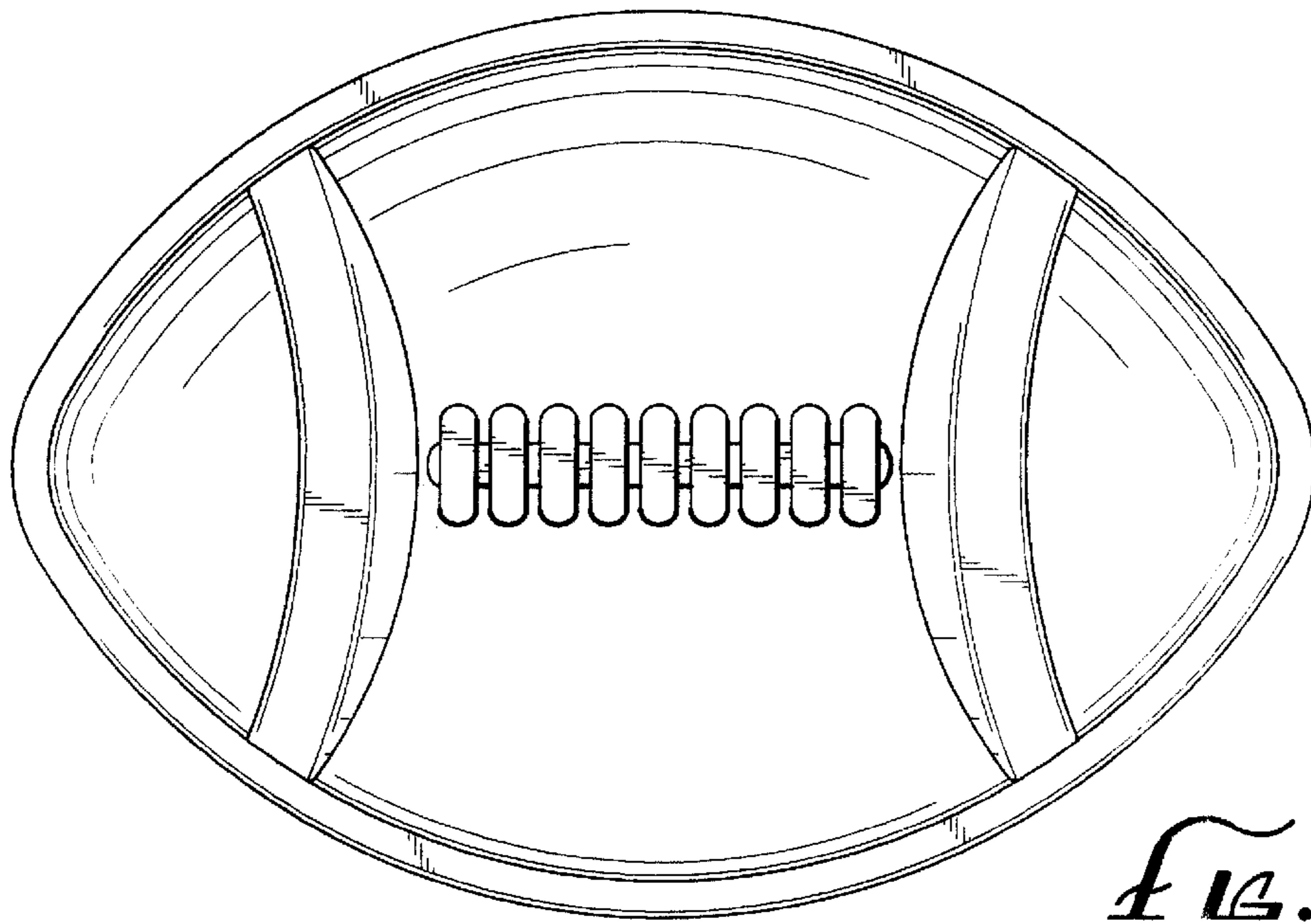


FIG. 4

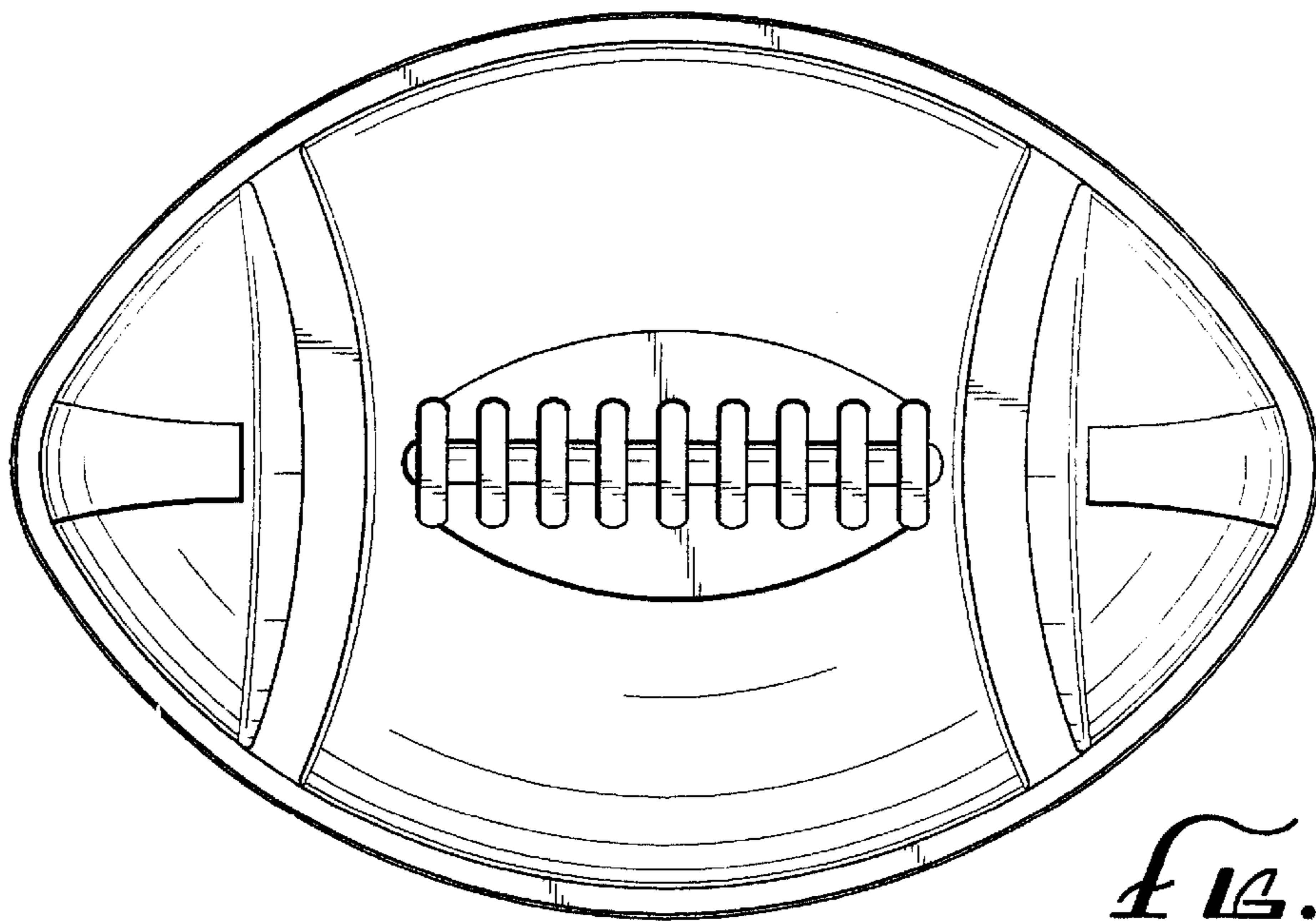


FIG. 5

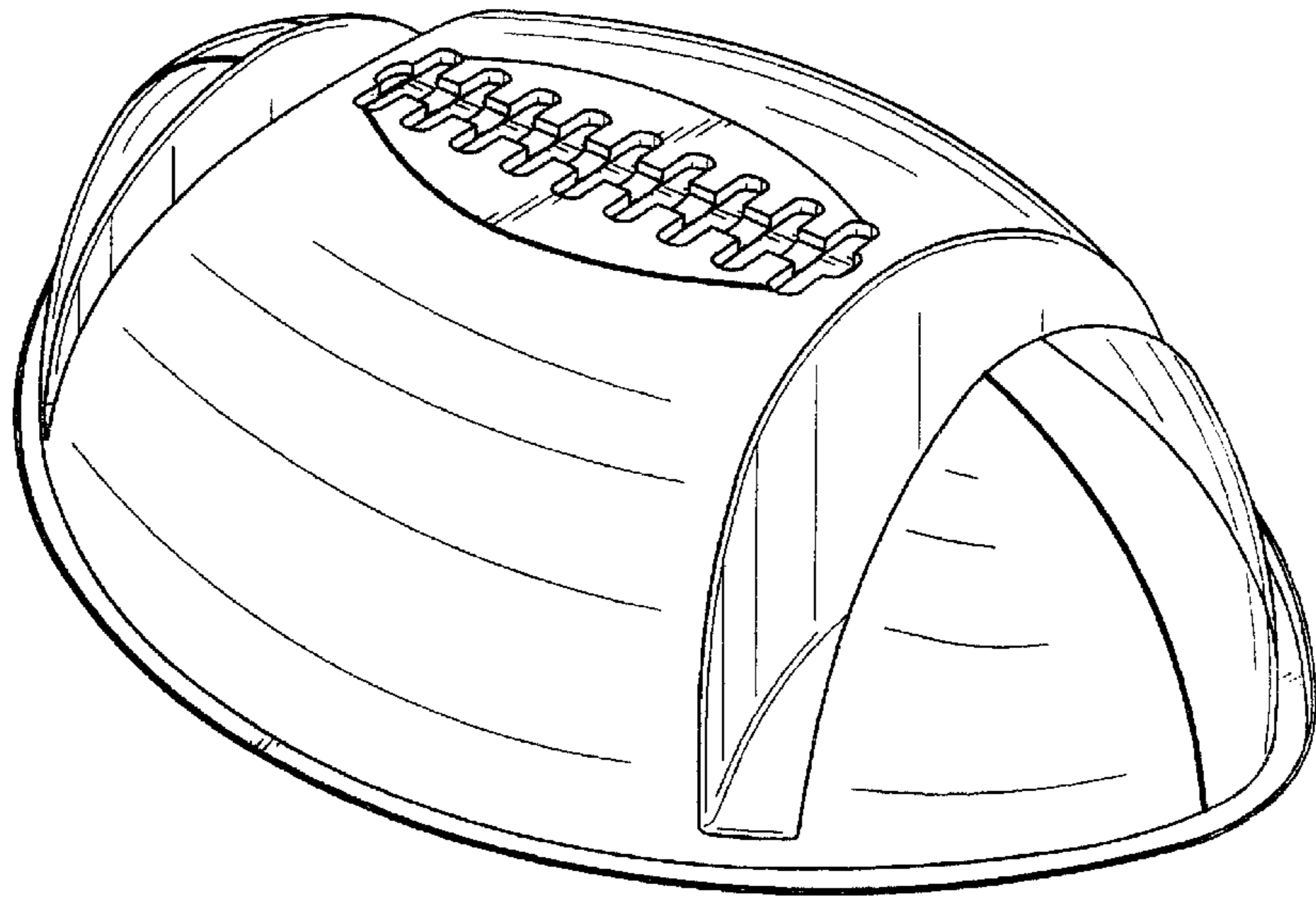


FIG. 6