



US00D483221S

(12) **United States Design Patent**
Ledingham et al.

(10) **Patent No.:** **US D483,221 S**

(45) **Date of Patent:** **** Dec. 9, 2003**

(54) **COFFEE GRINDER**

D420,248 S * 2/2000 Uemura et al. D7/373
D423,870 S * 5/2000 Pinney D7/373
D437,523 S * 2/2001 Glucksman et al. D7/373

(75) Inventors: **John B. Ledingham**, St. Joseph, MI
(US); **Philip M. Thompson**, St. Joseph,
MI (US)

* cited by examiner

(73) Assignee: **Whirlpool Corporation**, Benton
Harbor, MI (US)

Primary Examiner—Catherine R. Oliver
(74) *Attorney, Agent, or Firm*—John F. Colligan; Robert O.
Rice; Stephen Krefman

(**) Term: **14 Years**

(57) **CLAIM**

(21) Appl. No.: **29/178,365**

The ornamental design for a coffee grinder, as shown and
described.

(22) Filed: **Mar. 25, 2003**

(51) **LOC (7) Cl.** **31-00**

DESCRIPTION

(52) **U.S. Cl.** **D7/373**

(58) **Field of Search** D7/372-380, 384,
D7/378, 679, 665, 308, 309; 241/168, 169,
169.1, 273.3, 277, 279, 280; 99/304, 306,
286

FIG. 1 is a front perspective view of the coffee grinder
showing the new design;

FIG. 2 is a front elevational view thereof;

FIG. 3 is a right side elevational view thereof; and,

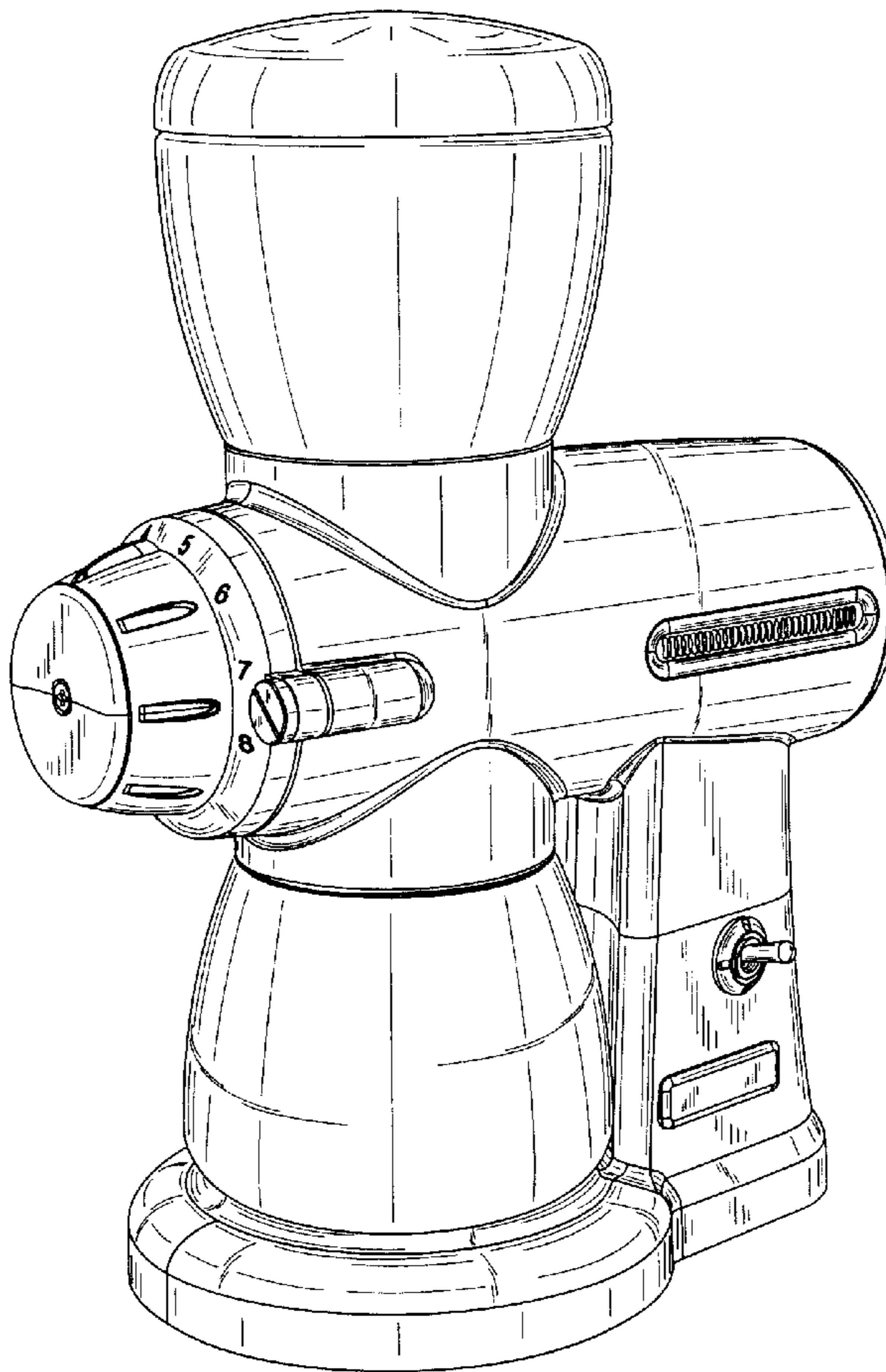
FIG. 4 is a top plan view thereof.

(56) **References Cited**

U.S. PATENT DOCUMENTS

D47,660 S * 7/1915 Wear et al. D7/373

1 Claim, 4 Drawing Sheets



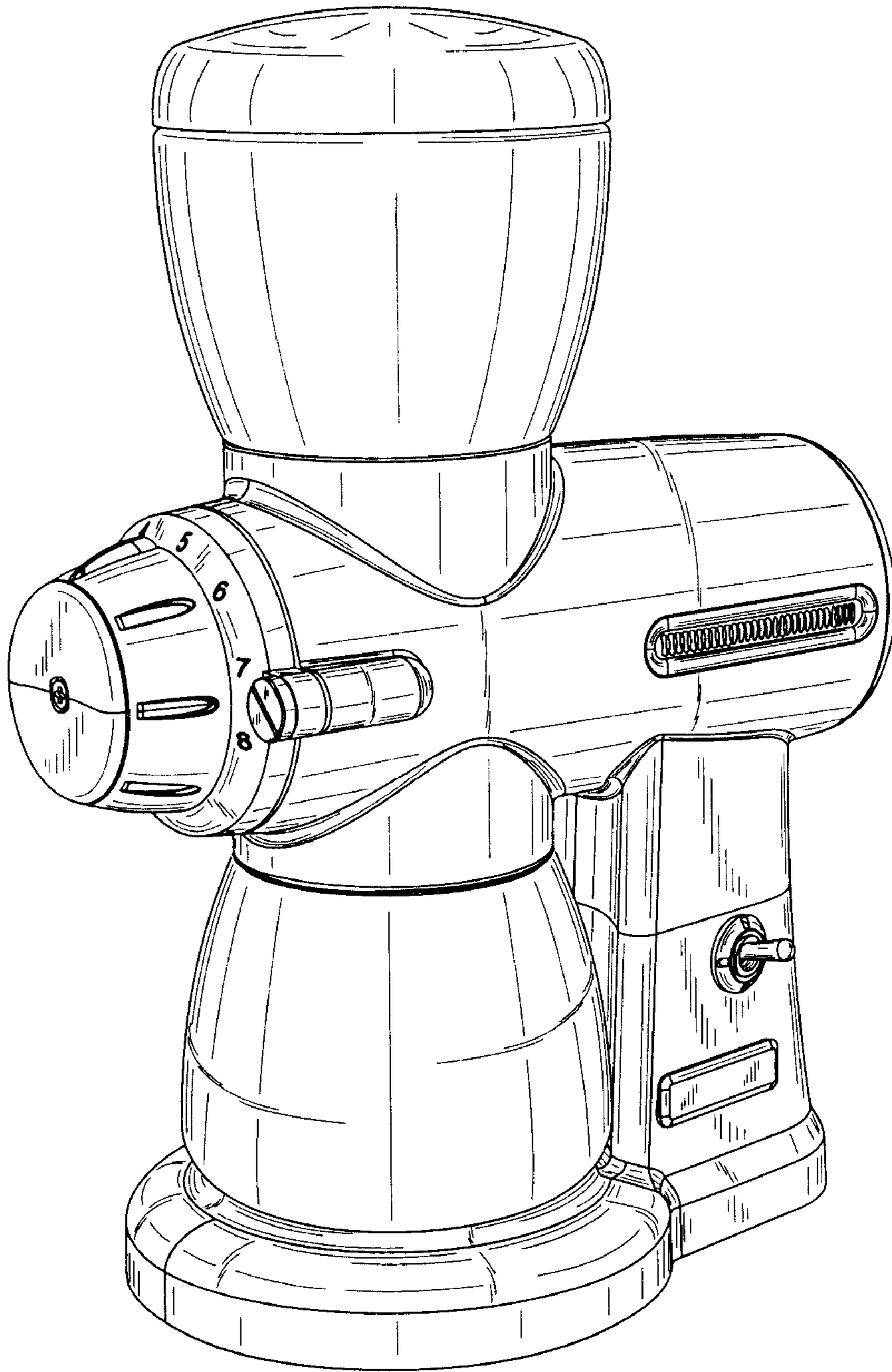


Fig. 1

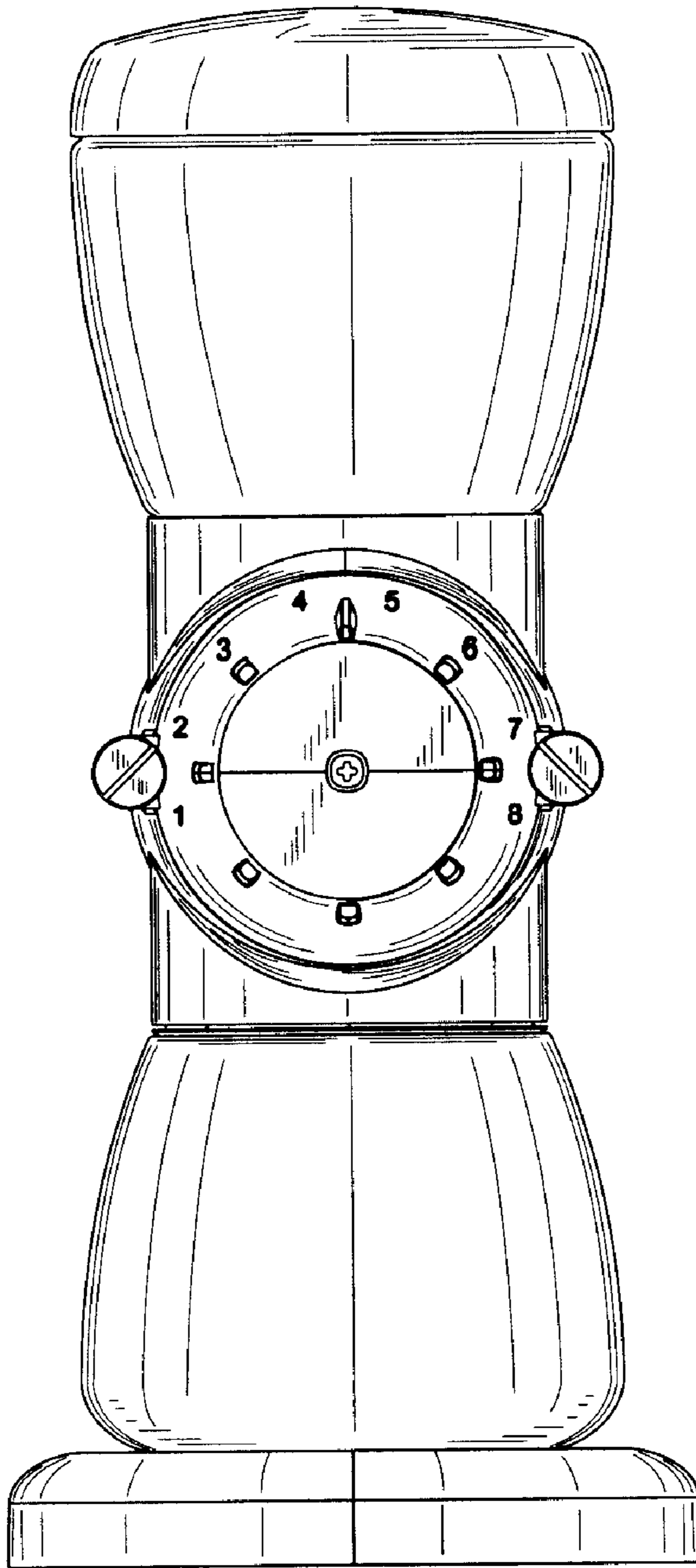


Fig. 2

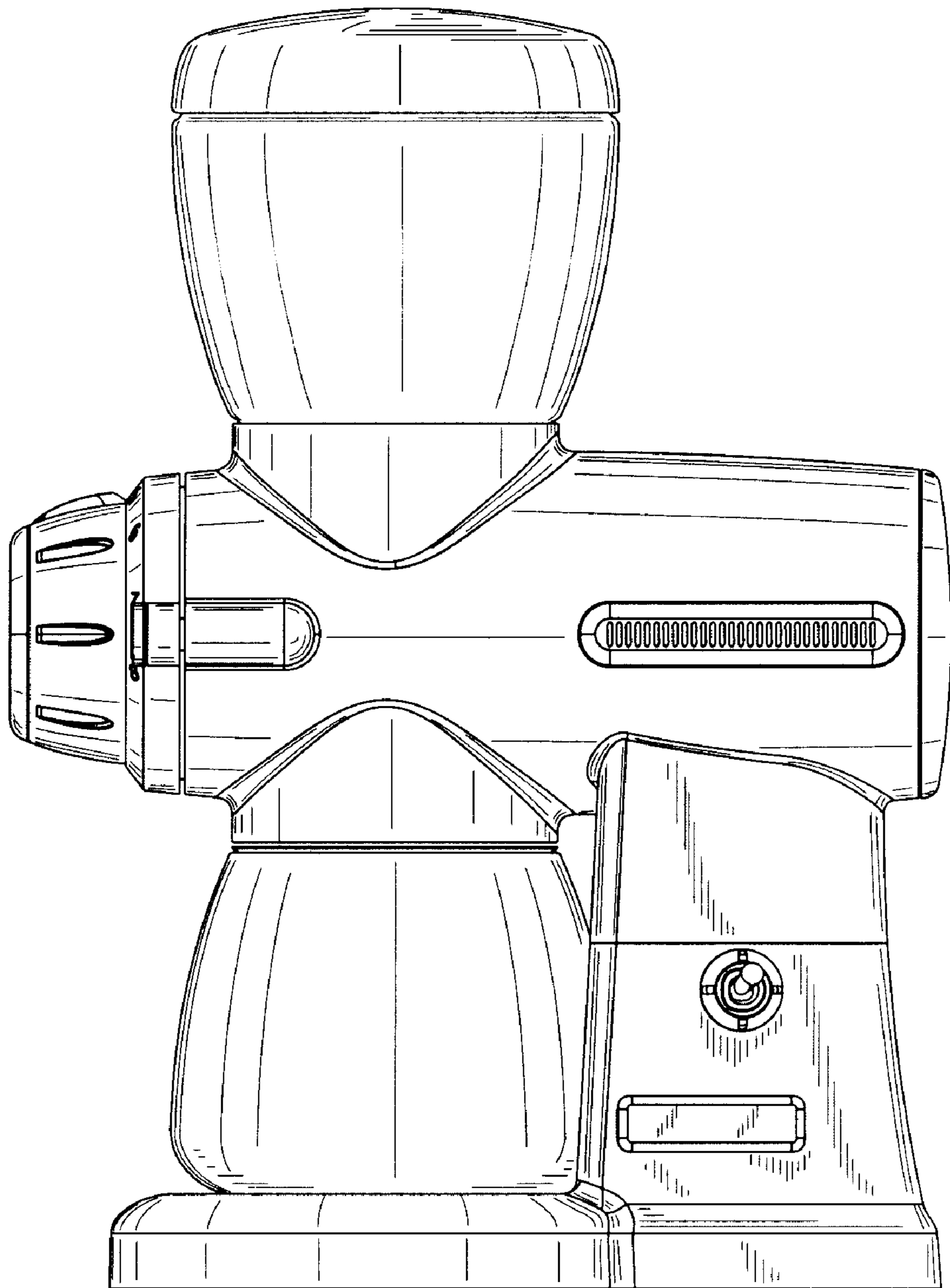


Fig. 3

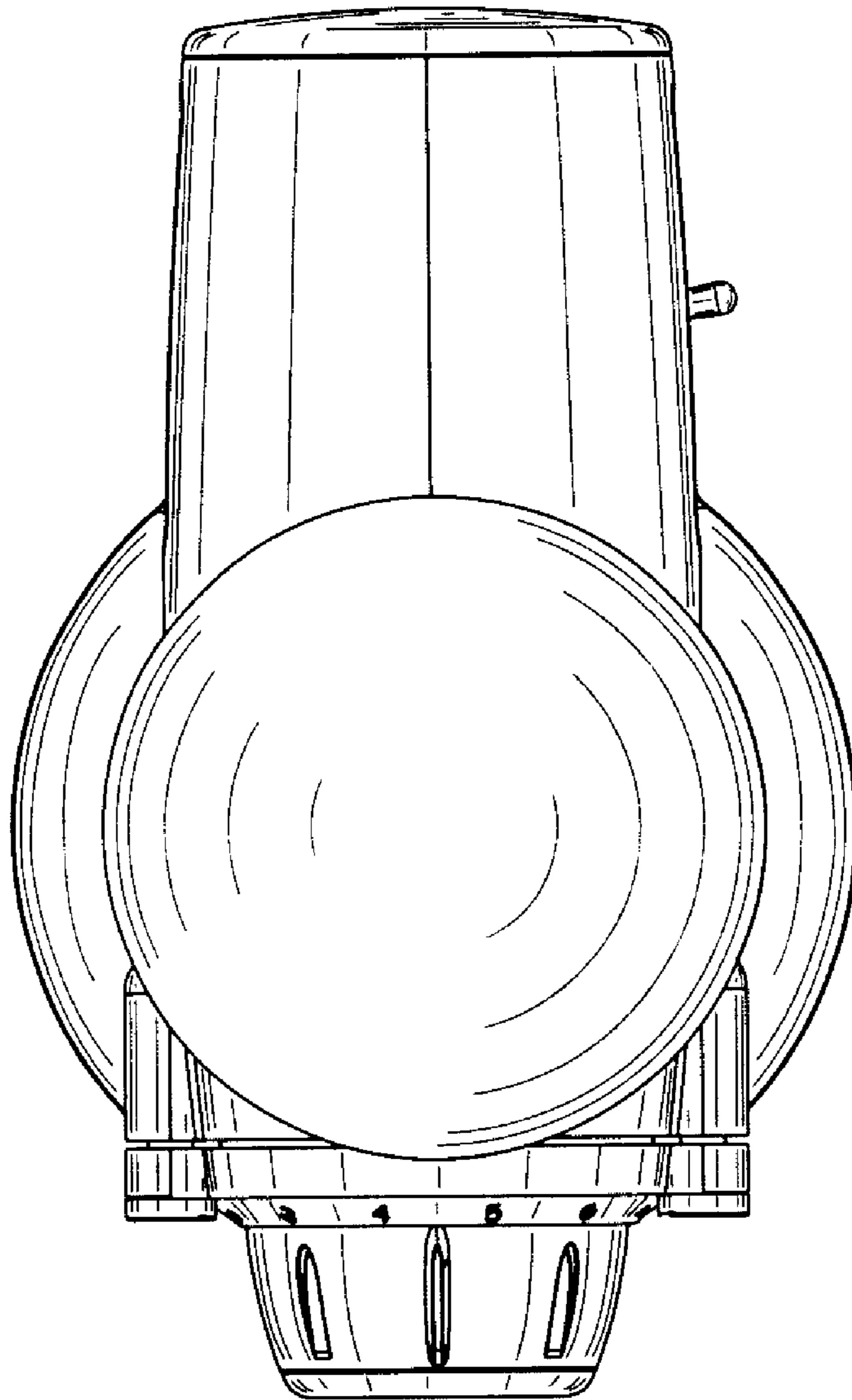


Fig. 4