



US00D483220S

(12) **United States Design Patent**
Seum et al.

(10) **Patent No.:** **US D483,220 S**

(45) **Date of Patent:** **** Dec. 9, 2003**

(54) **COFFEE GRINDER**

(75) Inventors: **Michael T. Seum**, St. Joseph, MI (US);
Philip M. Thompson, St. Joseph, MI (US)

(73) Assignee: **Whirlpool Corporation**, Benton Harbor, MI (US)

(**) Term: **14 Years**

(21) Appl. No.: **29/178,364**

(22) Filed: **Mar. 25, 2003**

(51) **LOC (7) Cl.** **31-00**

(52) **U.S. Cl.** **D7/373**

(58) **Field of Search** D7/372-380, 384,
D7/679, 665, 308, 309; 241/168, 169, 169.1,
273.3, 277, 279, 280; 99/304, 306, 286

(56) **References Cited**

U.S. PATENT DOCUMENTS

D391,441 S * 3/1998 Tanaka et al. D7/372

D404,246 S * 1/1999 Arita et al. D7/372

D444,668 S * 7/2001 Leung D7/372

D452,407 S * 12/2001 Leverrier D7/309

* cited by examiner

Primary Examiner—Catherine R. Oliver

(74) *Attorney, Agent, or Firm*—John F. Colligan; Robert O. Rice; Stephen Krefman

(57) **CLAIM**

The ornamental design for a coffee grinder, as shown and described.

DESCRIPTION

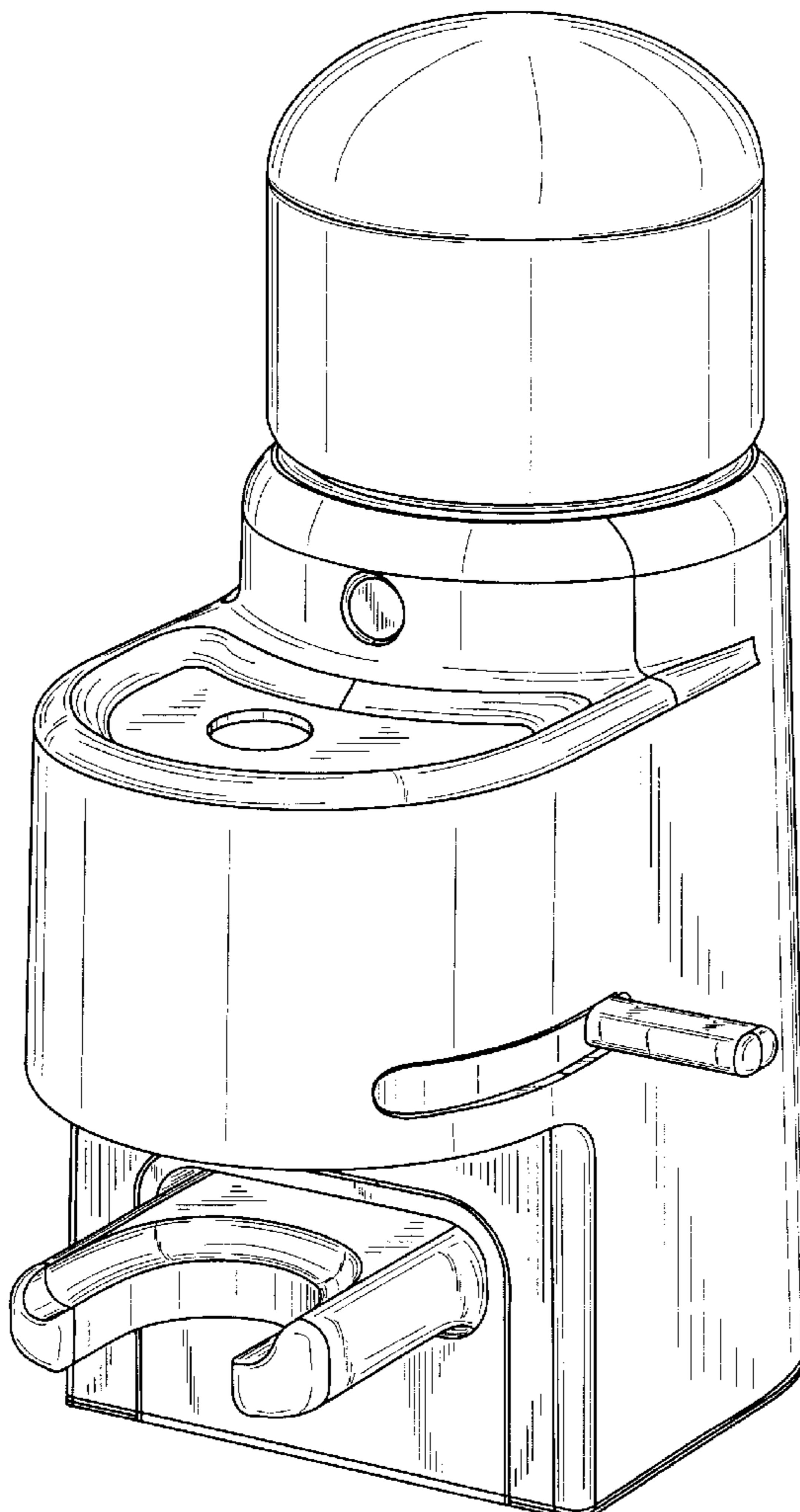
FIG. 1 is a front perspective view of the coffee grinder showing the new design;

FIG. 2 is a front elevational view thereof;

FIG. 3 is a right side elevational view thereof; and,

FIG. 4 is a top plan view thereof.

1 Claim, 4 Drawing Sheets



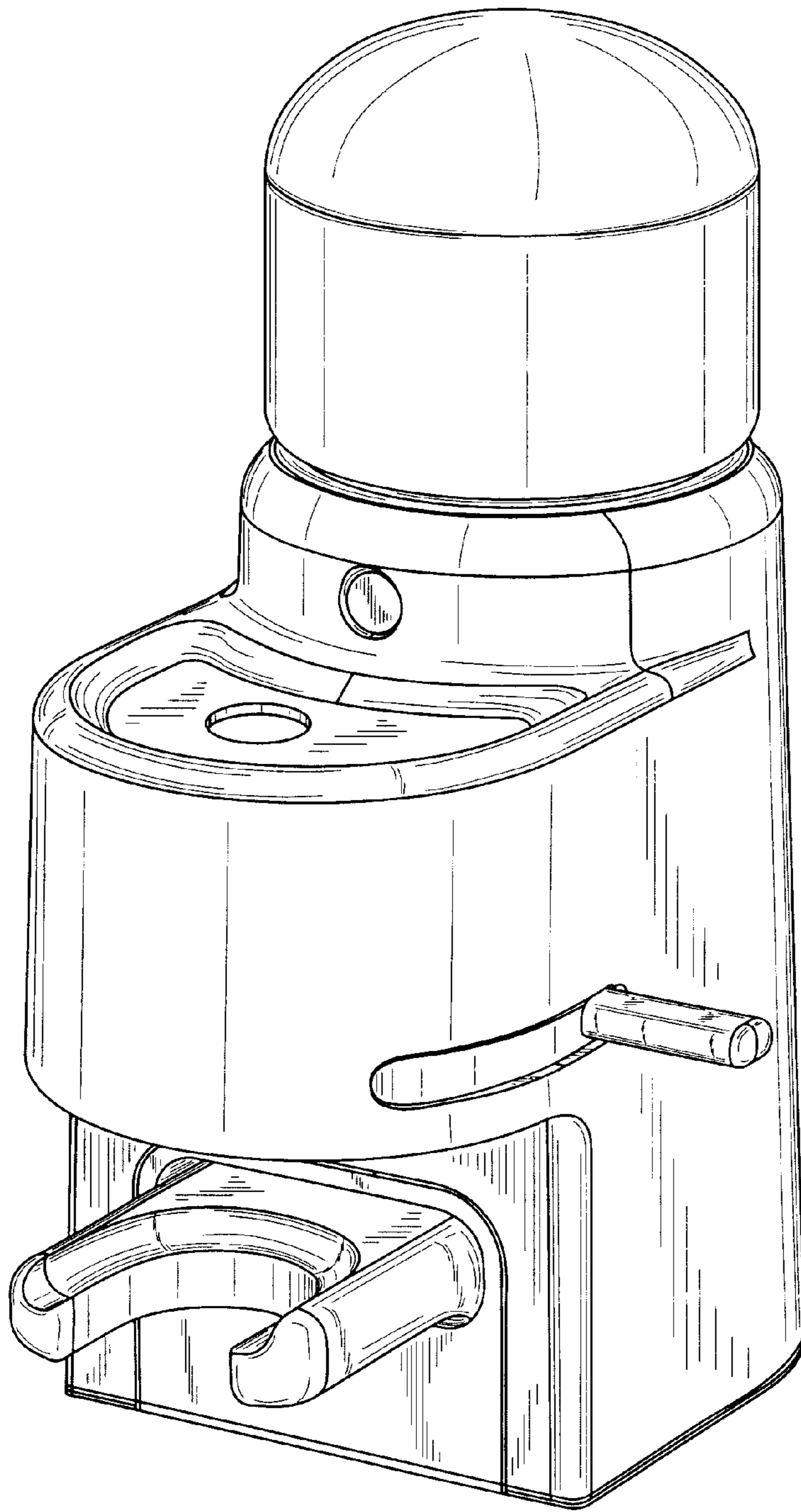


Fig. 1

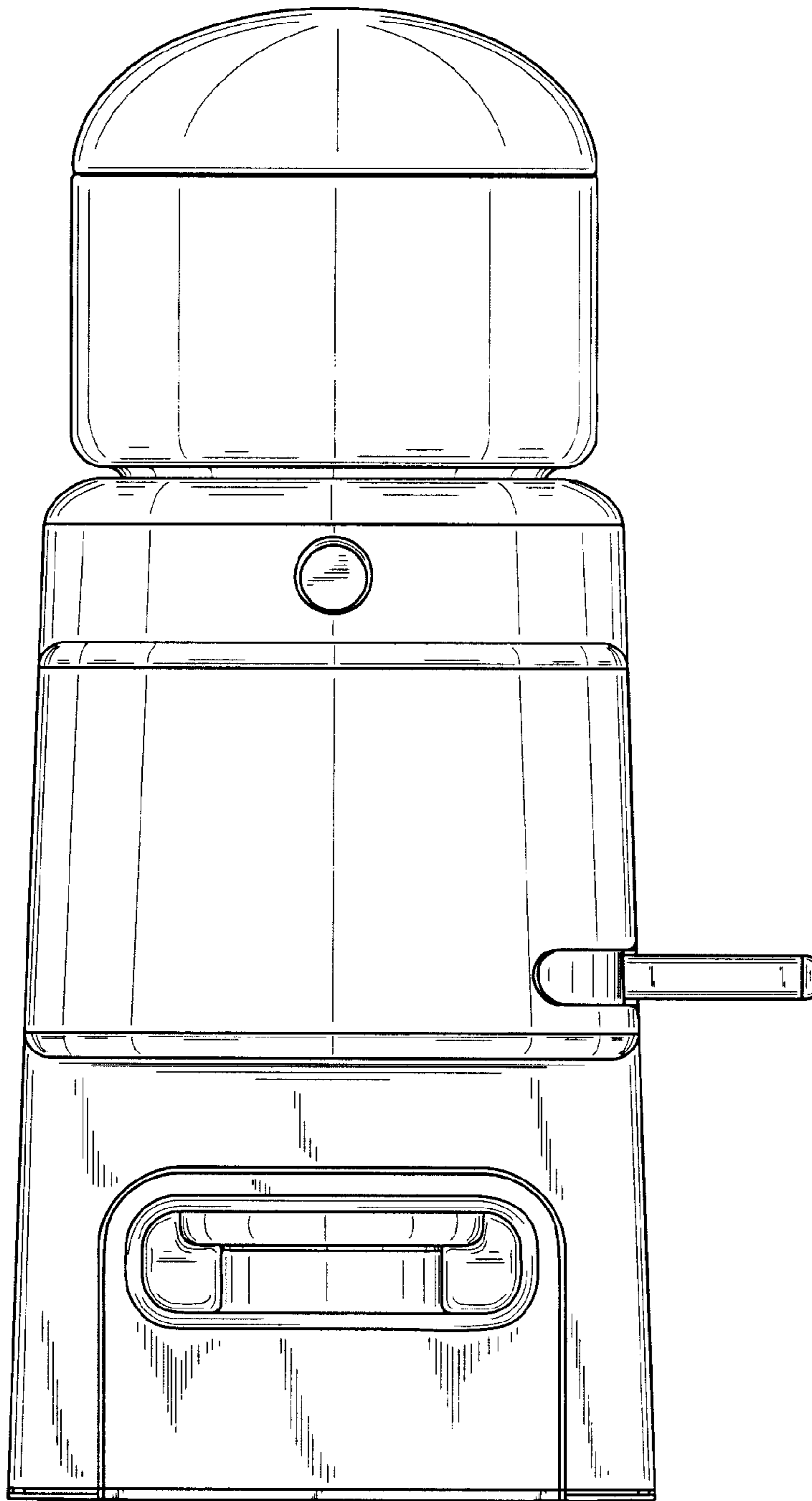


Fig. 2

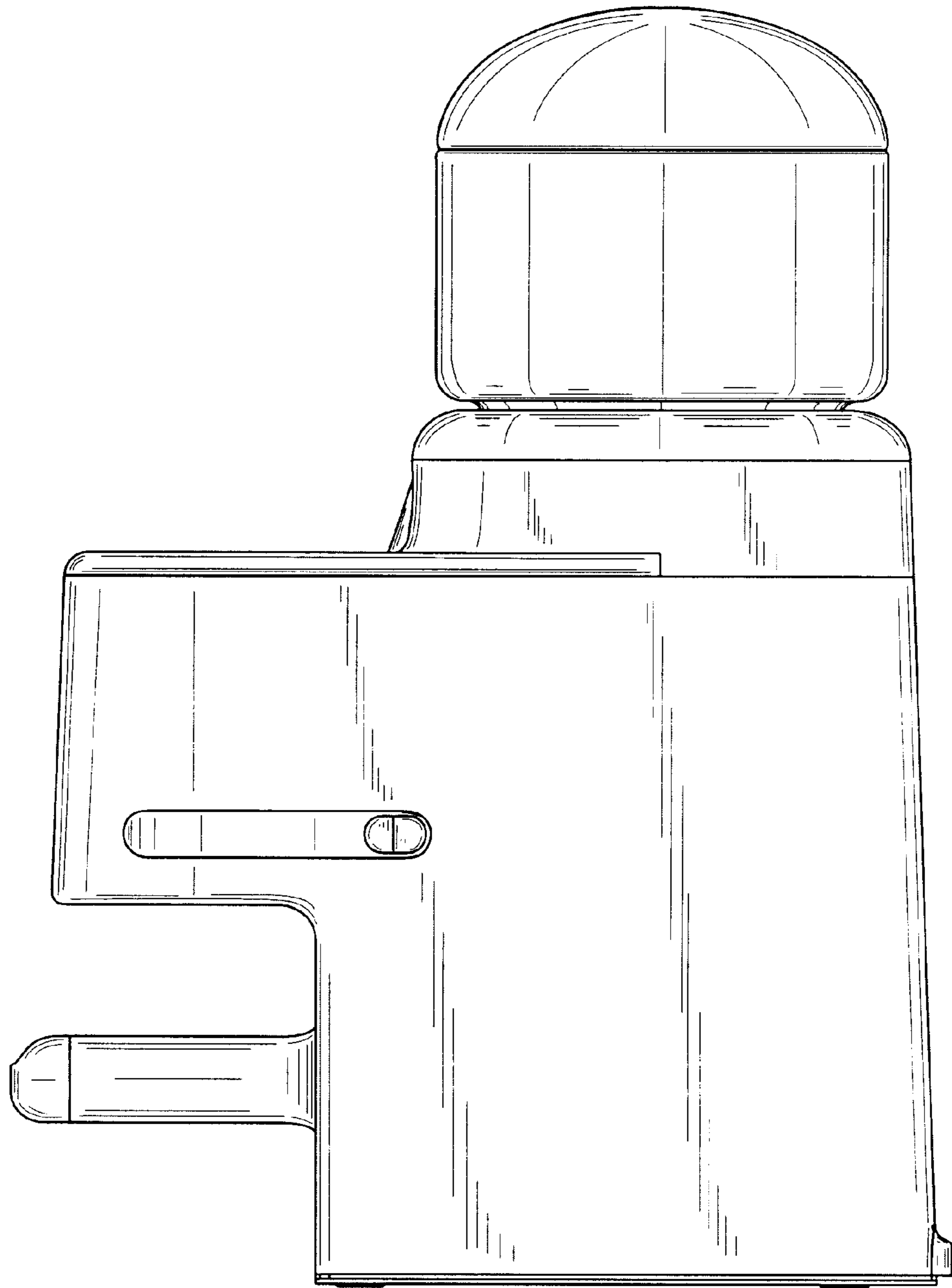


Fig. 3

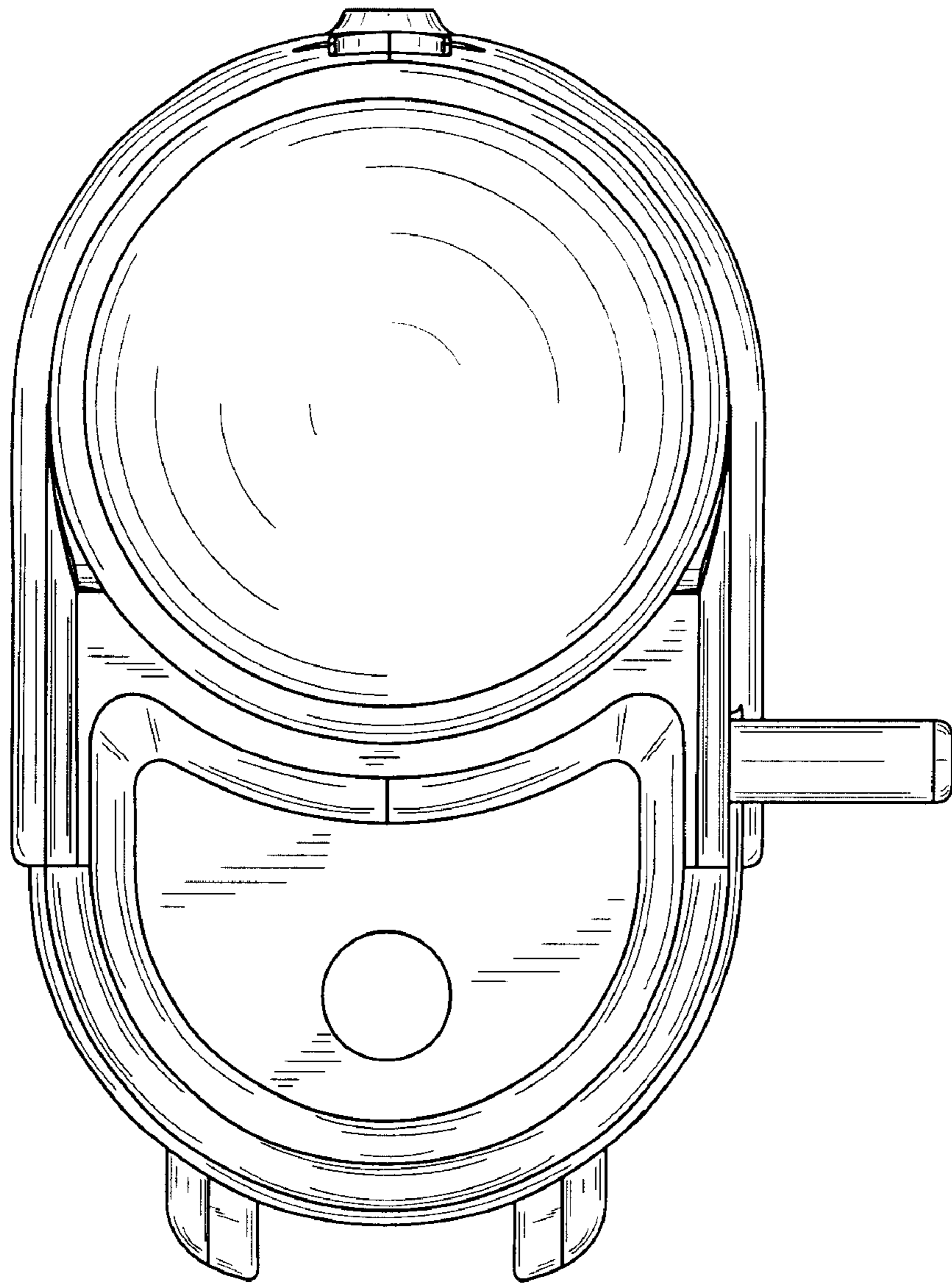


Fig. 4