



US00D483219S

(12) **United States Design Patent**
Manara

(10) **Patent No.:** **US D483,219 S**

(45) **Date of Patent:** **** Dec. 9, 2003**

(54) **COOKER**

(75) Inventor: **Lisa Manara**, London (GB)

(73) Assignee: **Ferro Techniek B.V.**, Gaanderen (NL)

(**) Term: **14 Years**

(21) Appl. No.: **29/140,524**

(22) Filed: **Apr. 20, 2001**

(30) **Foreign Application Priority Data**

Oct. 20, 2000 (GB) 2096809

(51) **LOC (7) Cl.** **07-02**

(52) **U.S. Cl.** **D7/362; D7/367**

(58) **Field of Search** D7/362-365, 367,
D7/402-403, 407, 346; D23/417-419; 126/39 H,
39 N; 219/443.1, 451.1, 452.11, 468.1,
538; 99/288

(56) **References Cited**

U.S. PATENT DOCUMENTS

D259,168 S	*	5/1981	Petrie	D7/367
D276,785 S	*	12/1984	Cleland	D7/399
4,715,269 A	*	12/1987	Stoner	99/279
4,829,981 A	*	5/1989	Burrell	126/265
D312,747 S	*	12/1990	Keung	D7/367
5,054,465 A	*	10/1991	Chern	126/39 R
D330,276 S	*	10/1992	Mitchum, Jr.	D34/27
D333,756 S	*	3/1993	Campbell	D7/507
D378,485 S	*	3/1997	Angarita	D7/362

6,330,849 B1 * 12/2001 Chao 99/288

* cited by examiner

Primary Examiner—Ruth McInroy

(74) *Attorney, Agent, or Firm*—Browdy and Neimark

(57) **CLAIM**

The ornamental design for a cooker, as shown and described.

DESCRIPTION

FIG. 1 is a perspective view showing the heater and the control unit engaged together to form the cooker in accordance with the present design;

FIG. 2 is a top plan view of the control unit according to FIG. 1;

FIG. 3 is a front elevational view of the control unit according to FIG. 1;

FIG. 4 is a first side elevational view of the control unit according to FIG. 1;

FIG. 5 is a bottom view of the control unit according to FIG. 1;

FIG. 6 is a top plan view of the heater unit according to FIG. 1;

FIG. 7 is a front elevational view of the heater unit according to FIG. 1;

FIG. 8 is a first side elevational view of the heater unit according to FIG. 1;

FIG. 9 is a second side elevational view of the heater unit according to FIG. 1; and,

FIG. 10 is a bottom plan view of the heater unit according to FIG. 1.

1 Claim, 5 Drawing Sheets

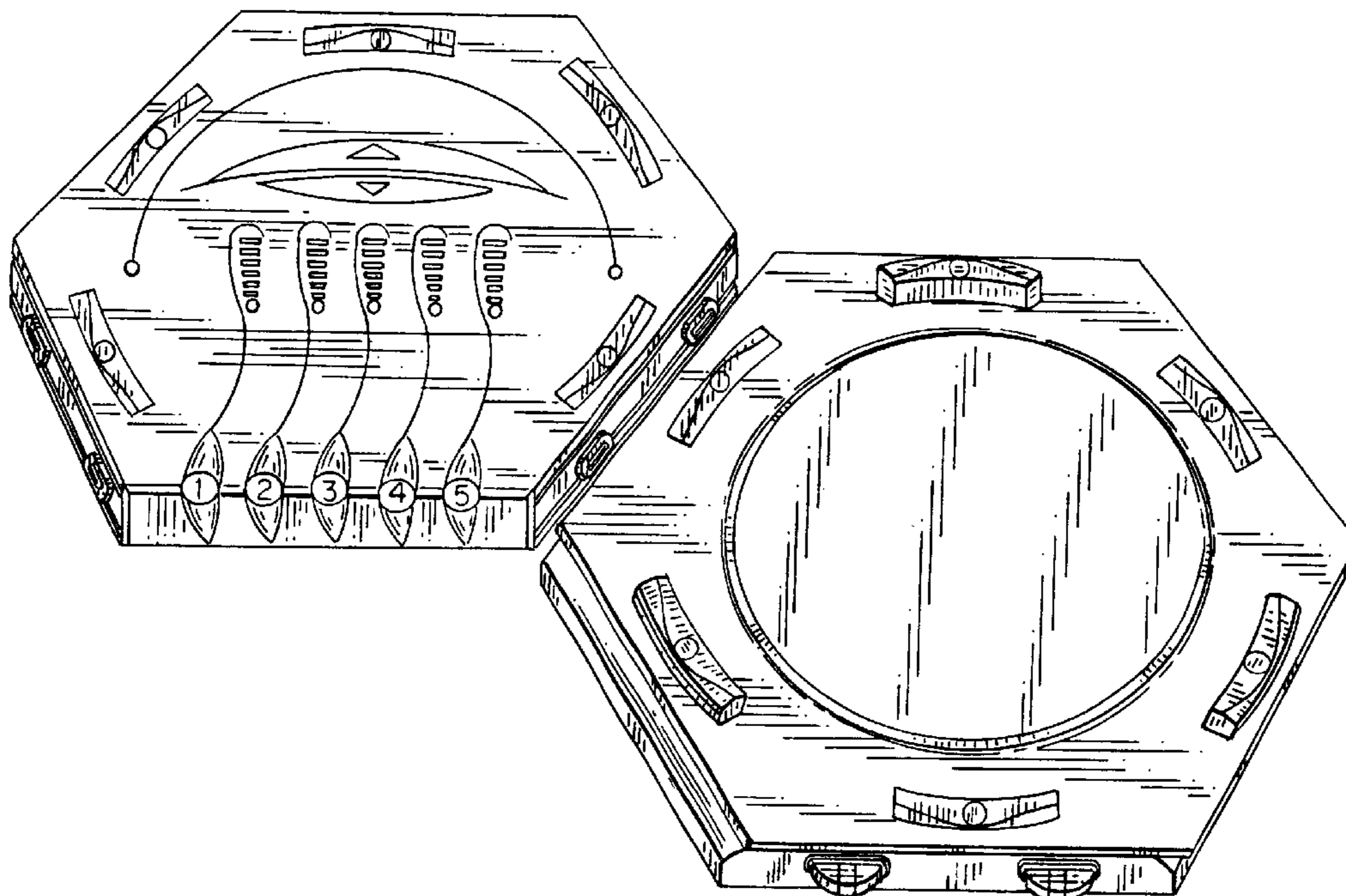


FIG. 1

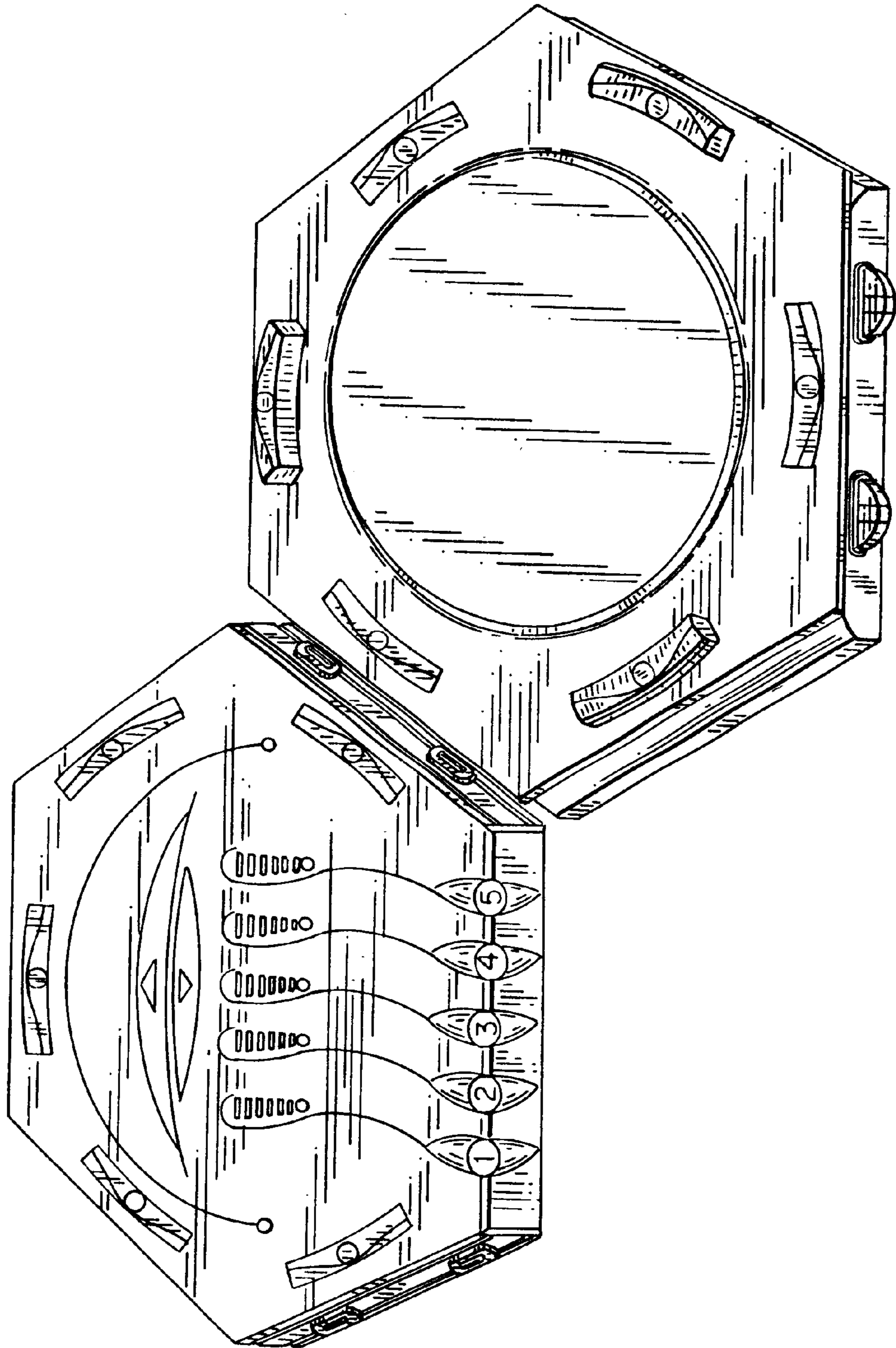


FIG. 2

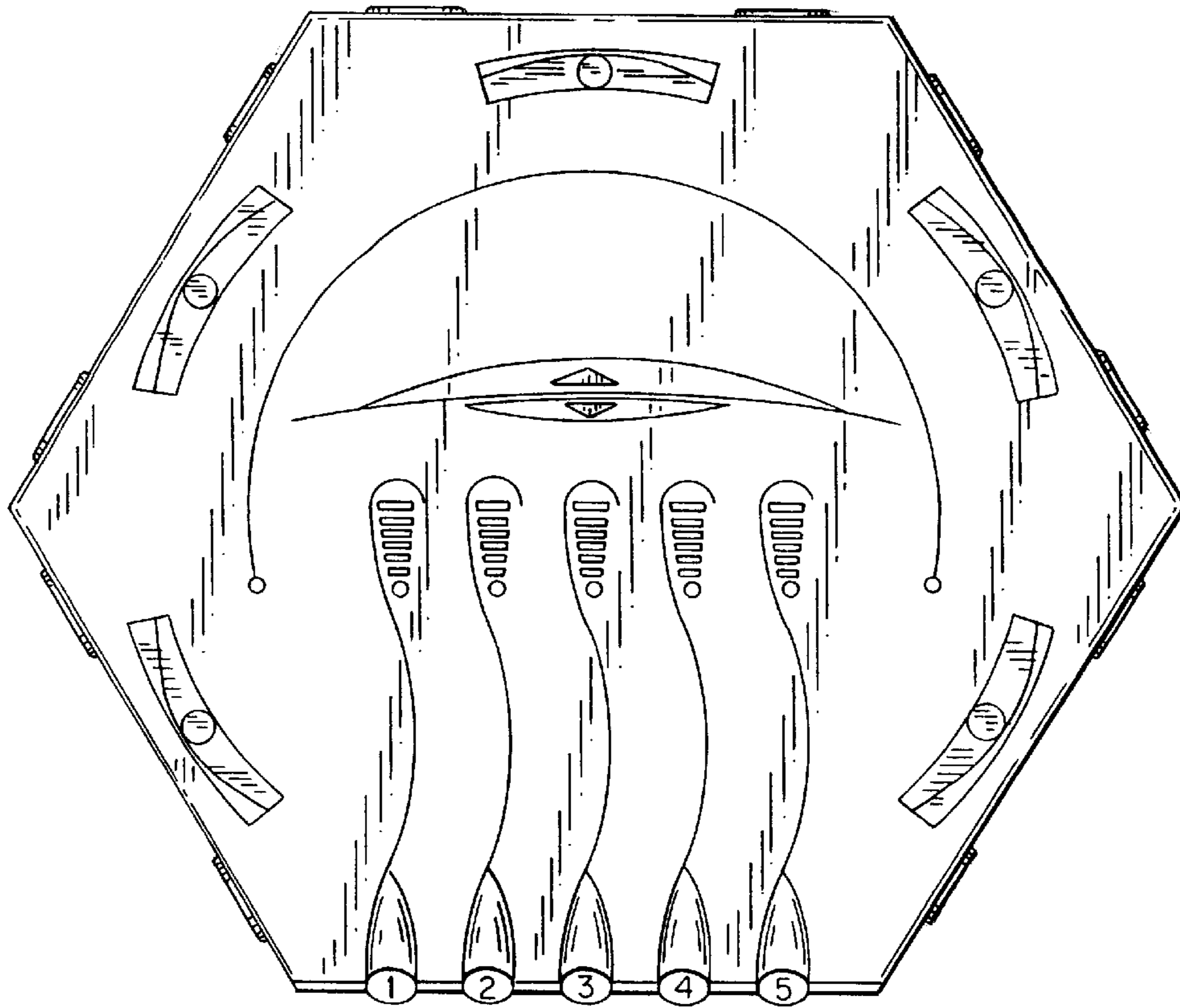


FIG. 3

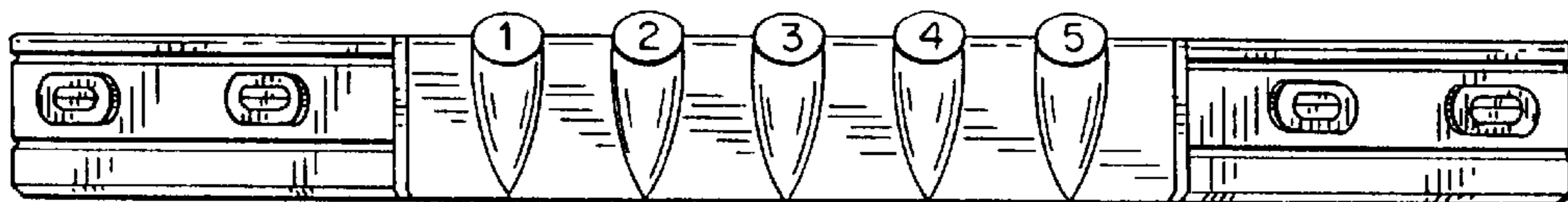


FIG. 4

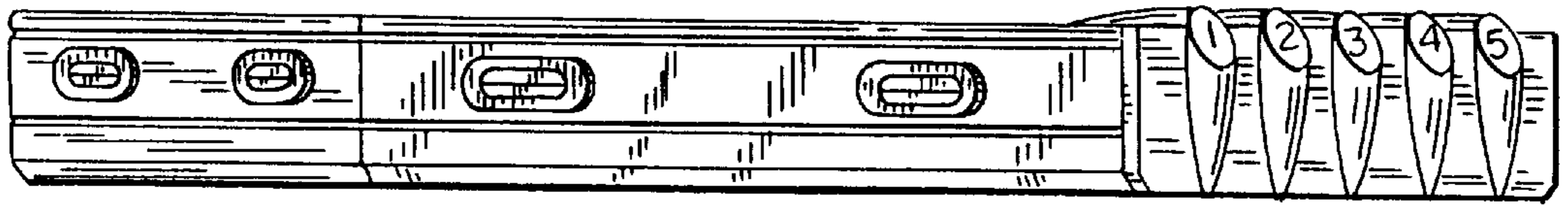


FIG. 5

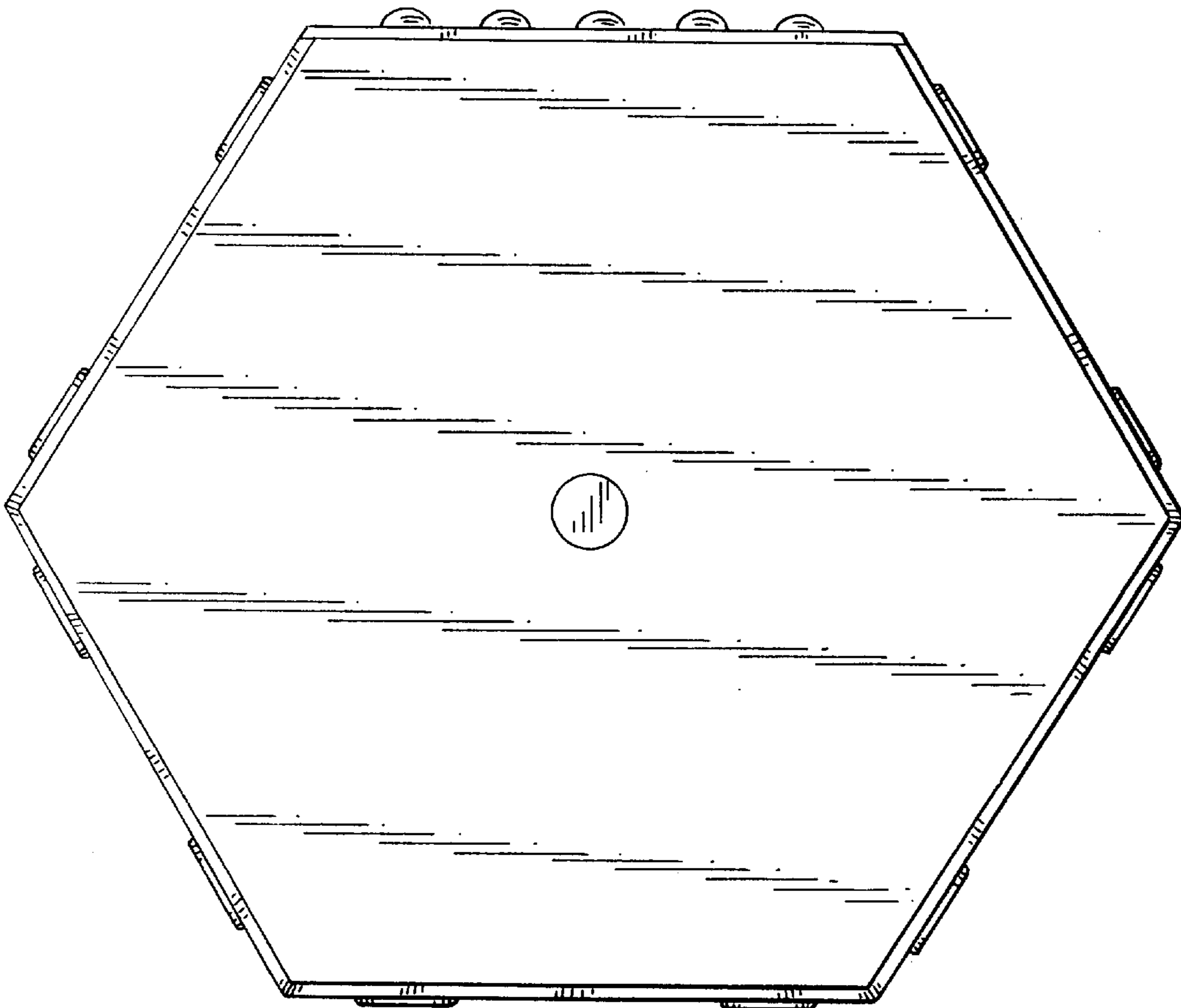


FIG. 6

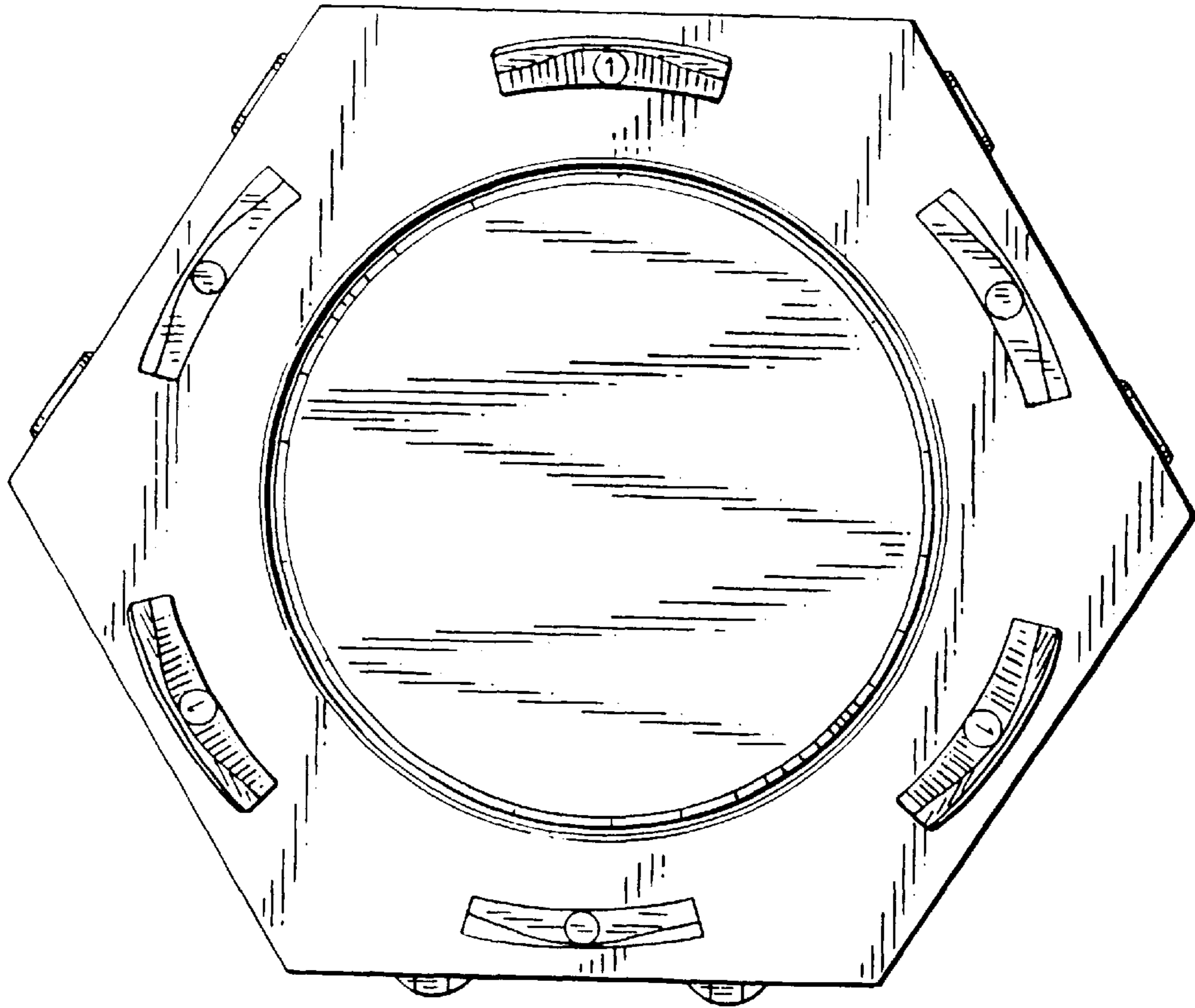


FIG. 7

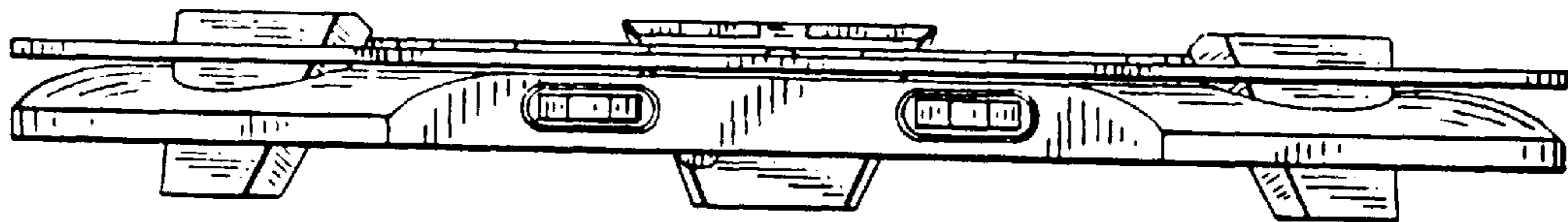


FIG. 8



FIG. 9

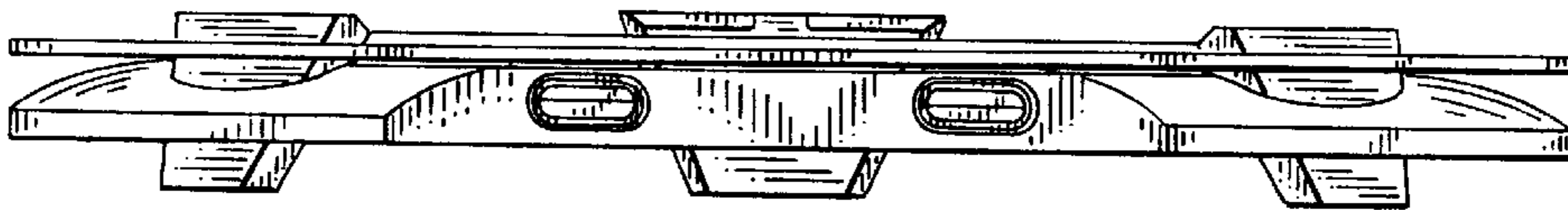


FIG. 10

