



US00D483215S

(12) **United States Design Patent**
Eisinger et al.

(10) **Patent No.:** **US D483,215 S**

(45) **Date of Patent:** **** Dec. 9, 2003**

(54) **COMBINED CHARCOAL GRILL WITH ASH CATCHER AND CART**

(75) Inventors: **John E. Eisinger**, Chicago, IL (US);
Mike Nipke, Grandville, MI (US)

(73) Assignee: **Vendor Development Group, Inc.**,
Grand Rapids, MI (US)

(**) Term: **14 Years**

(21) Appl. No.: **29/143,516**

(22) Filed: **Jun. 15, 2001**

(51) **LOC (7) Cl.** **07-02**

(52) **U.S. Cl.** **D7/334**

(58) **Field of Search** D7/332, 334-337,
D7/402-404; 126/25 R, 25 A, 25 AA, 9 R,
9 B, 29-30, 41 R; 99/421 R, 444

(56) **References Cited**

U.S. PATENT DOCUMENTS

4,463,746 A	8/1984	Knuth et al.	126/25 R
4,683,866 A	8/1987	Bales et al.	126/25 B
4,966,126 A	10/1990	Wu	126/25 R
5,036,832 A	8/1991	Schlosser et al.	126/243
5,299,553 A	4/1994	Giebel et al.	126/25 R
5,394,590 A	* 3/1995	Yu	16/357

5,794,608 A	8/1998	Von Berg	126/25 R
D404,963 S	* 2/1999	Schlosser et al.	D7/334
5,865,099 A	2/1999	Waugh	99/340
D426,101 S	* 6/2000	Pai	D7/334
D430,717 S	9/2000	Alden et al.	D34/20
6,155,248 A	12/2000	Schlosser et al.	126/242
D437,177 S	* 2/2001	Giebel et al.	D7/334

* cited by examiner

Primary Examiner—Ruth McInroy

(74) *Attorney, Agent, or Firm*—McAndrews, Held & Malloy, Ltd.

(57) **CLAIM**

The ornamental design for a combined charcoal grill with ash catcher and cart, as shown and described.

DESCRIPTION

FIG. 1 is a perspective view of a combined charcoal grill with ash catcher and cart showing our new design; FIG. 2 is a front elevational view thereof; FIG. 3 is a rear elevational view thereof; FIG. 4 is a left side elevational view thereof; FIG. 5 is a right side elevational view thereof; FIG. 6 is a top plan view thereof; and, FIG. 7 is a bottom plan view thereof.

1 Claim, 6 Drawing Sheets

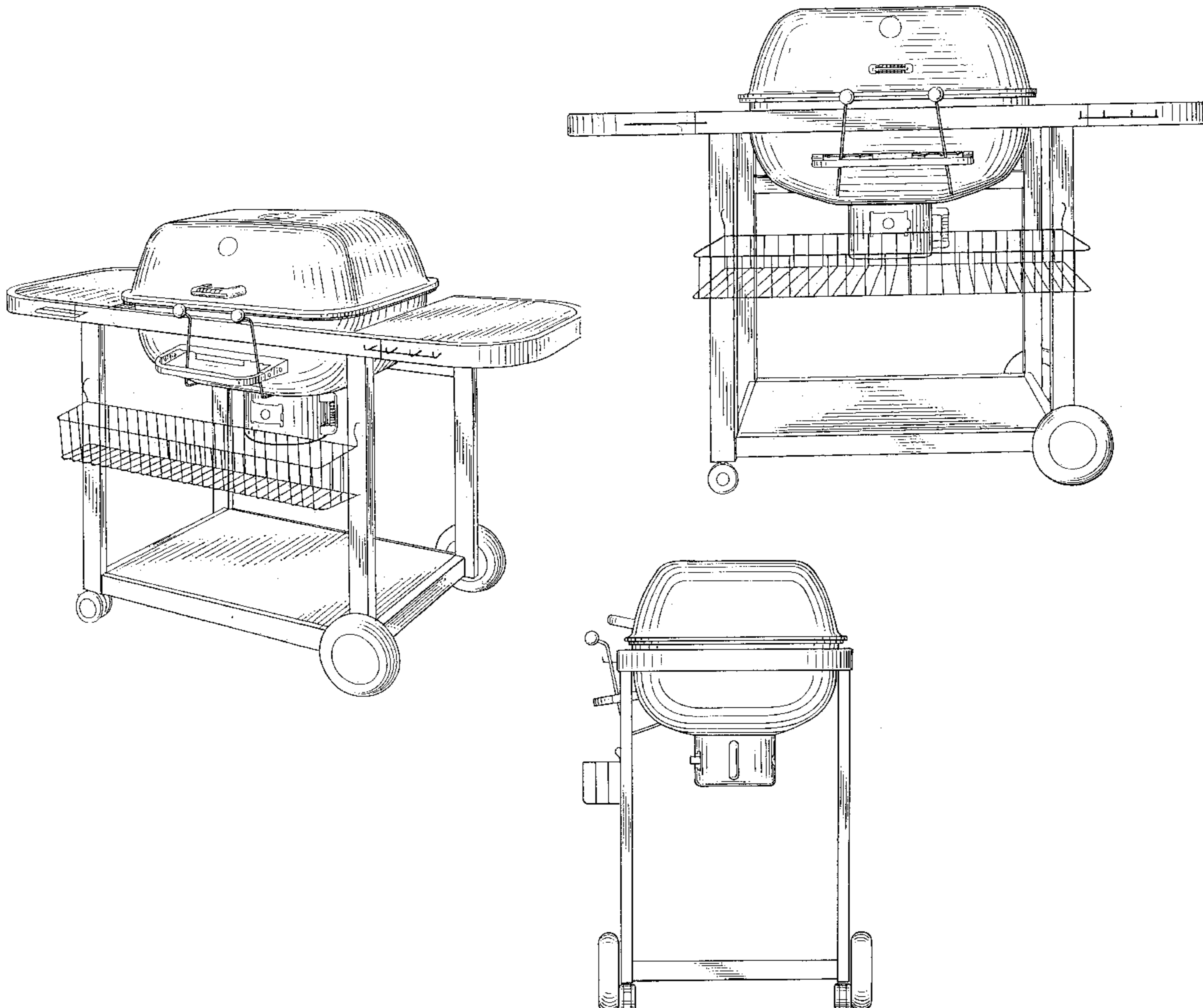
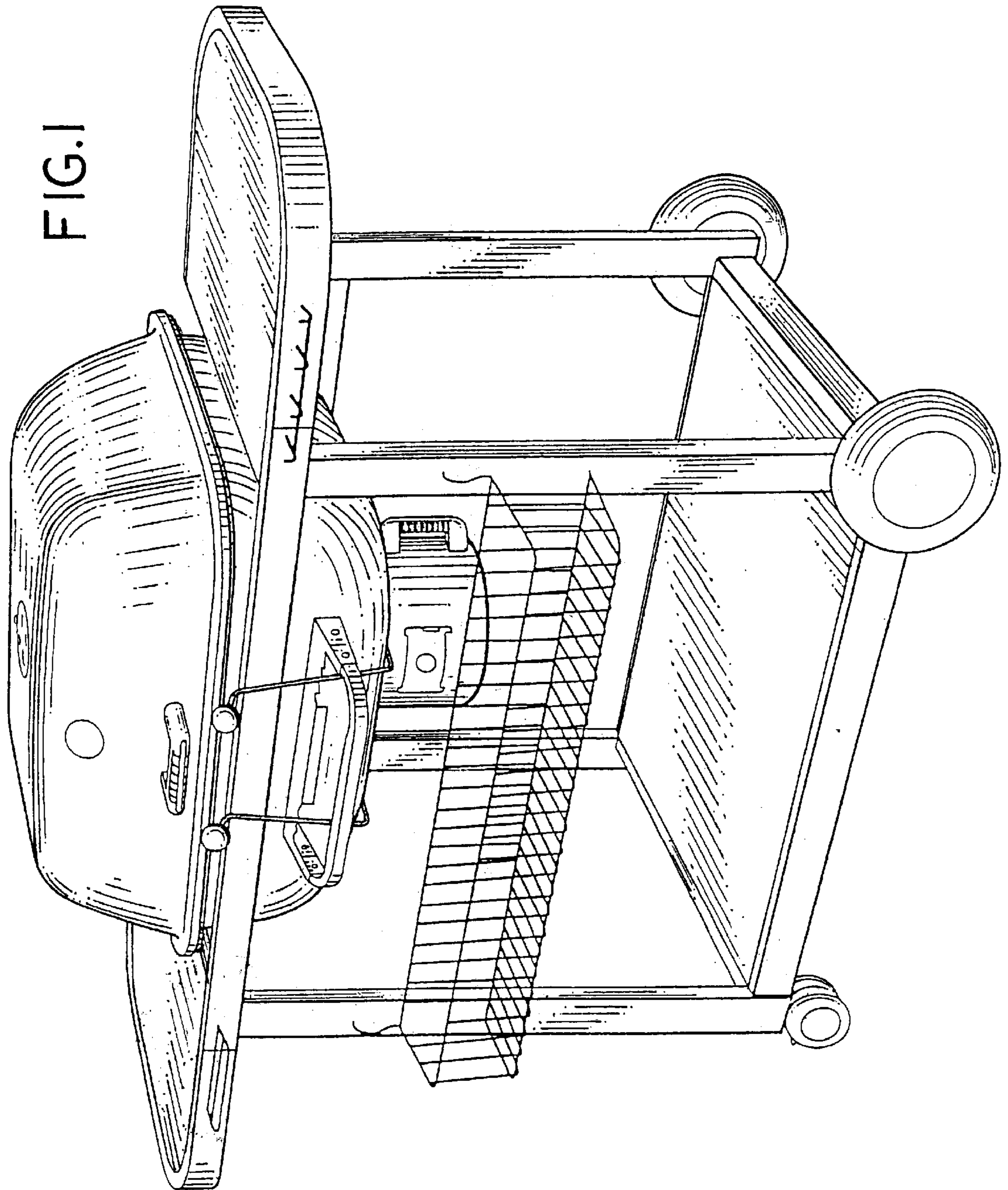


FIG. 1



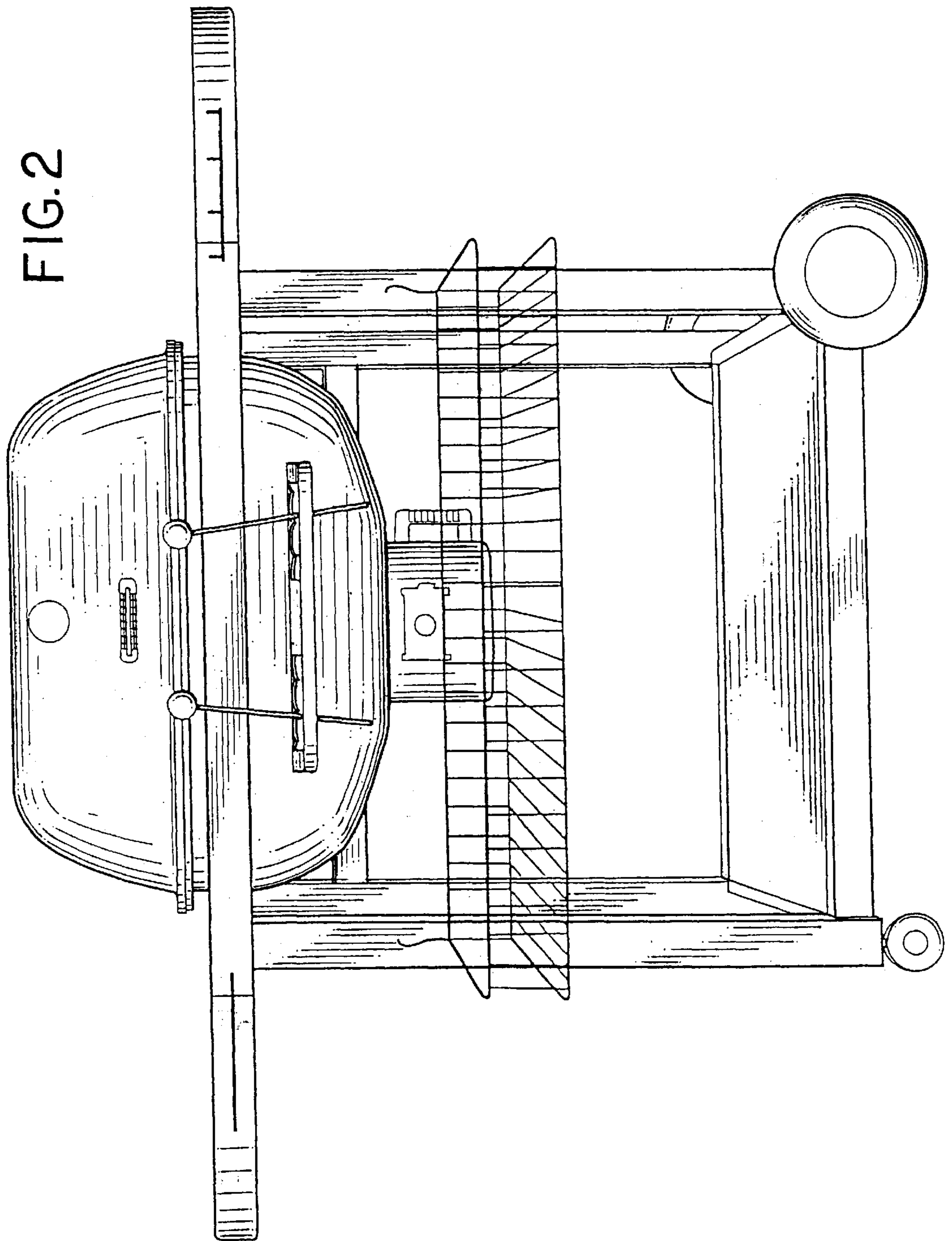


FIG.3

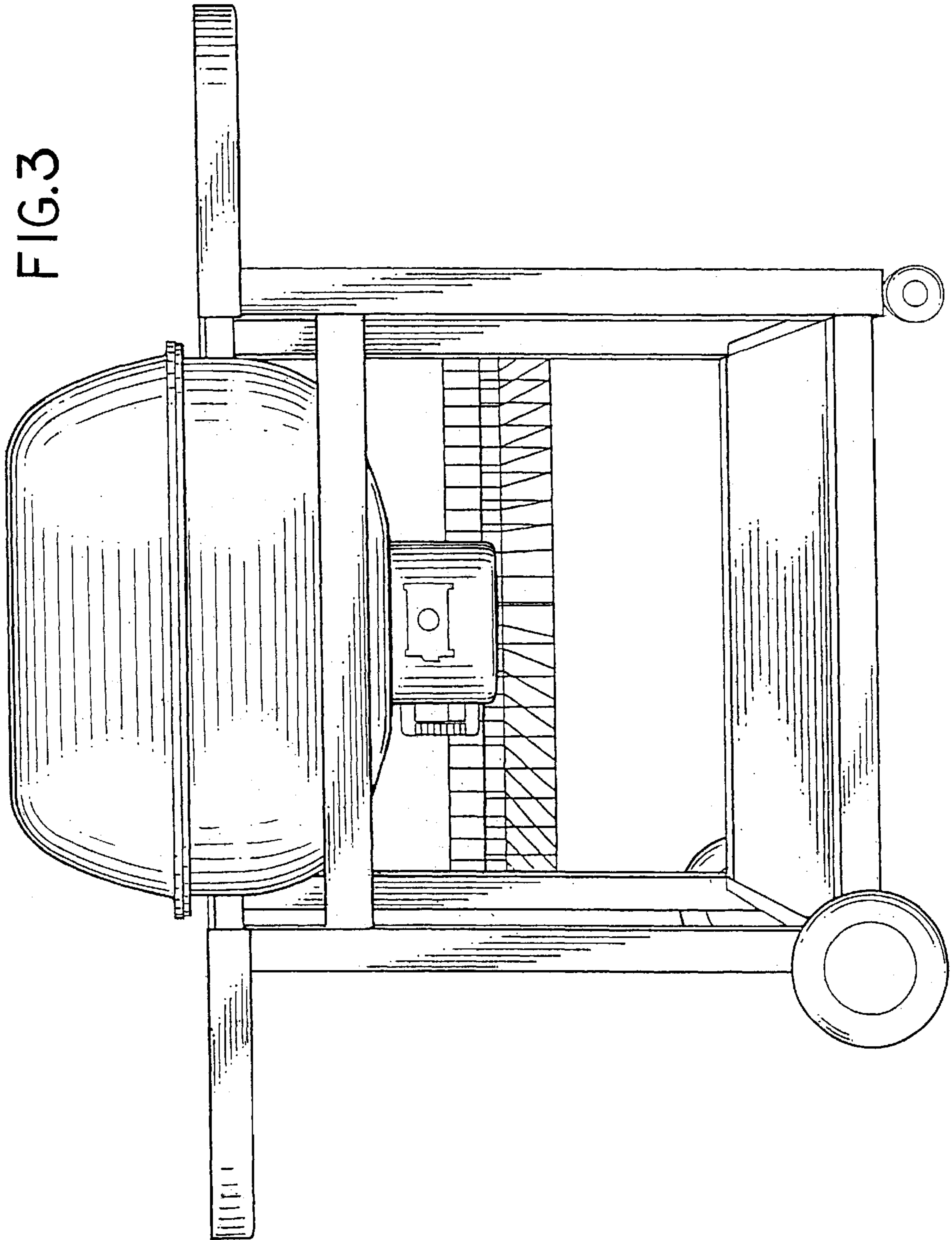


FIG. 5

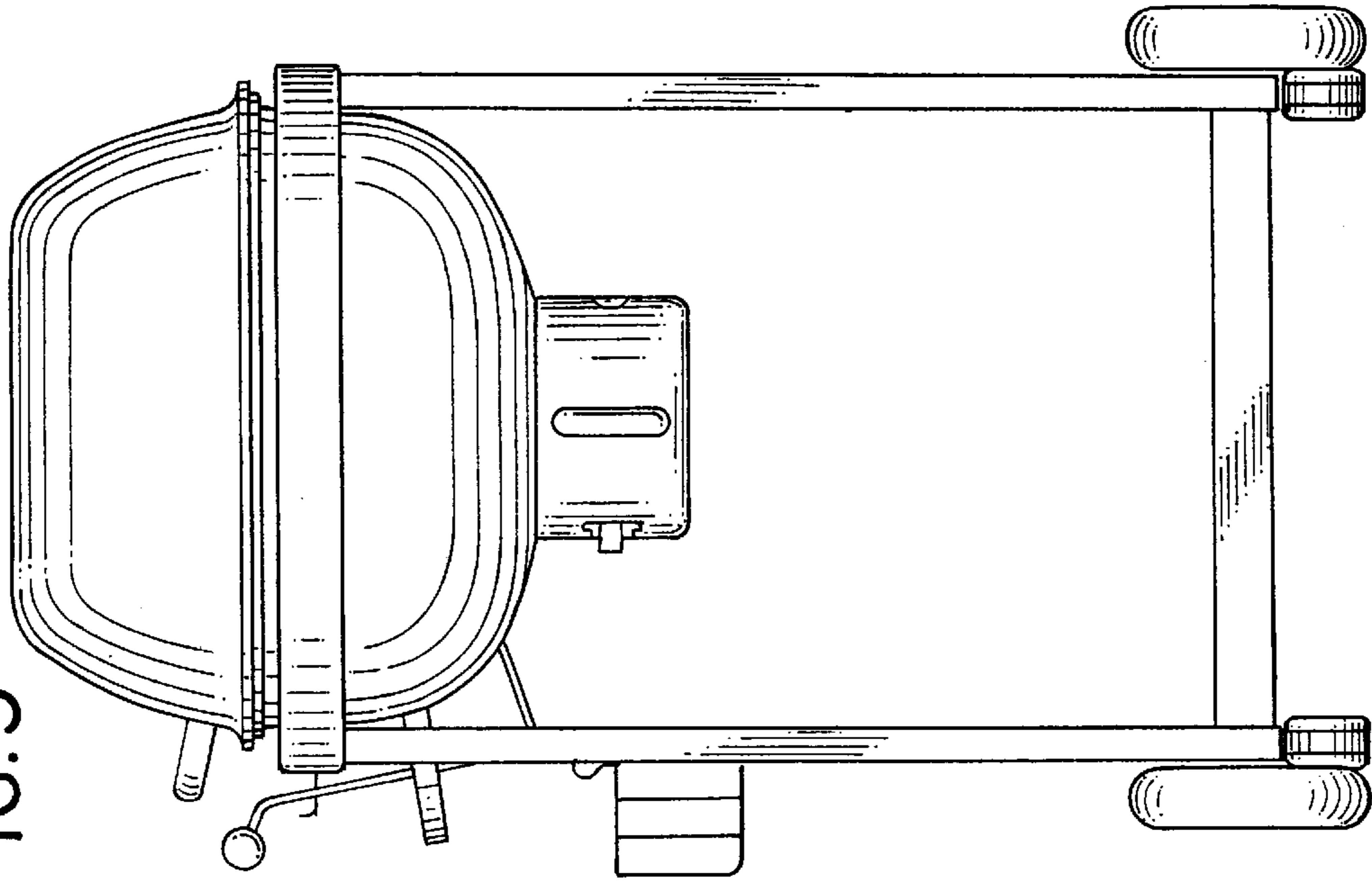


FIG. 4

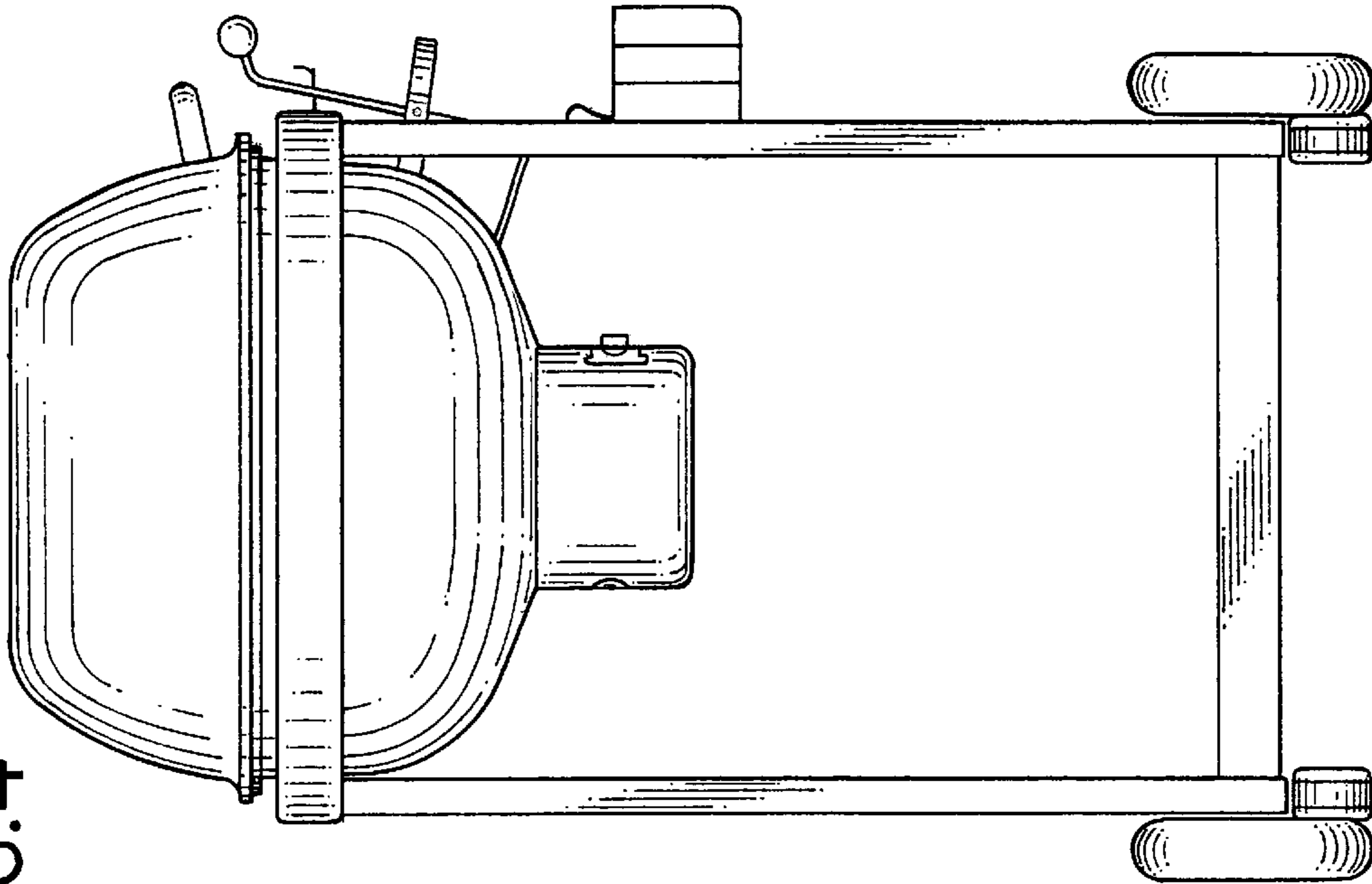


FIG.6

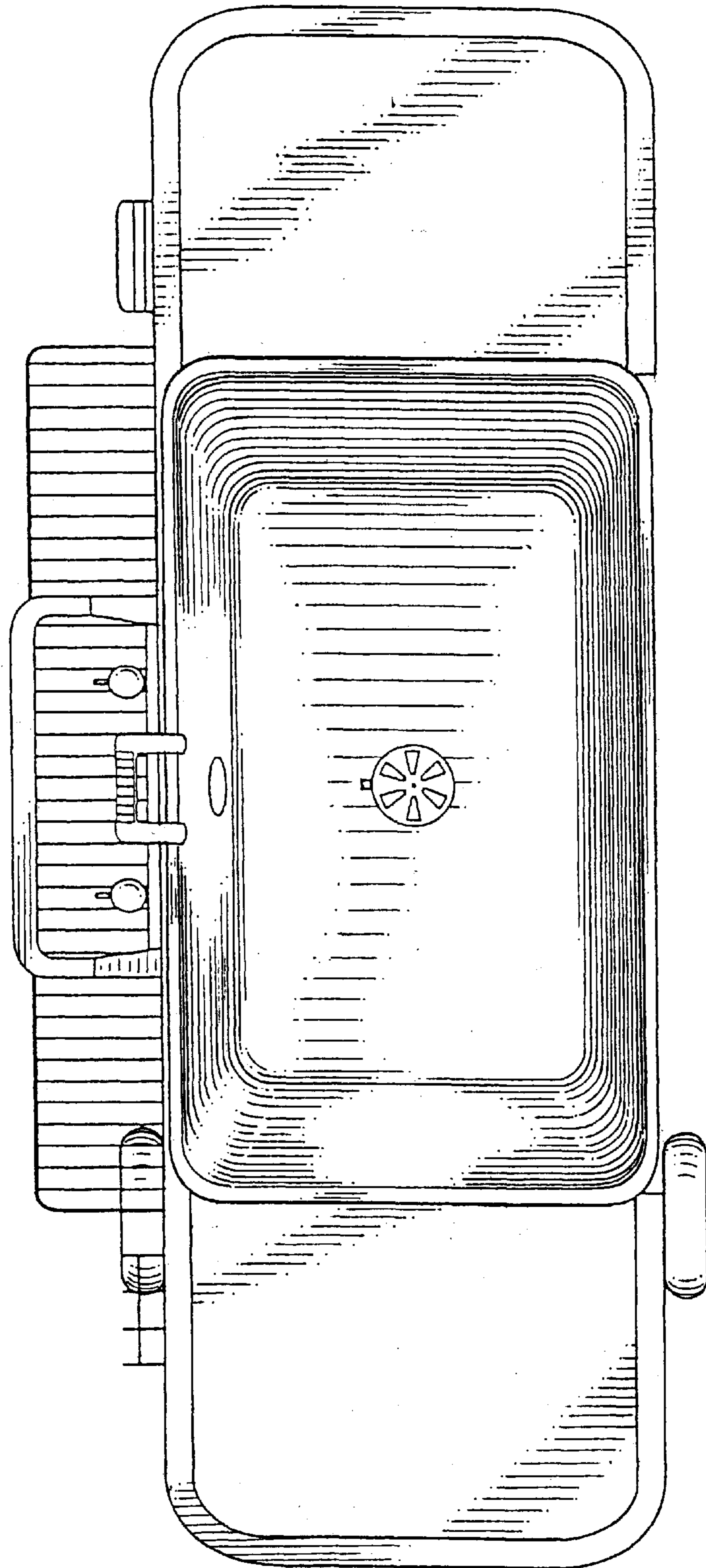


FIG. 7

