



US00D483214S

(12) **United States Design Patent**
Holderfield et al.

(10) **Patent No.:** **US D483,214 S**

(45) **Date of Patent:** **** Dec. 9, 2003**

(54) **COFFEEMAKER**

(75) Inventors: **Gregory James Holderfield**, Chicago, IL (US); **Elliott Hsu**, Chicago, IL (US); **Augusto A. Picozza**, Boca Raton, FL (US)

(73) Assignee: **Sunbeam Products, Inc.**, Boca Raton, FL (US)

(**) Term: **14 Years**

(21) Appl. No.: **29/168,969**

(22) Filed: **Oct. 12, 2002**

(51) **LOC (7) Cl.** **07-01**

(52) **U.S. Cl.** **D7/309; D7/311**

(58) **Field of Search** D7/309, 310, 311, D7/300; 99/295, 304, 305, 293, 307, 279, 300; D20/515; 222/189.1

(56) **References Cited**

U.S. PATENT DOCUMENTS

D350,667 S * 9/1994 Saltet D7/309
D376,950 S * 12/1996 Saltet D7/309
D377,290 S * 1/1997 Saltet D7/309
D390,061 S * 2/1998 Mork et al. D7/309

D408,680 S * 4/1999 Lin D7/309
D417,358 S * 12/1999 Dutruel D7/309
D418,000 S * 12/1999 Mork et al. D7/309
D432,850 S * 10/2000 Saltet D7/309
D446,990 S * 8/2001 Prat D7/309
D449,955 S * 11/2001 Leverrier D7/309
D478,461 S * 8/2003 Hoard D7/309

* cited by examiner

Primary Examiner—M. N. Pandozzi

(74) *Attorney, Agent, or Firm*—Lawrence J Shurupoff

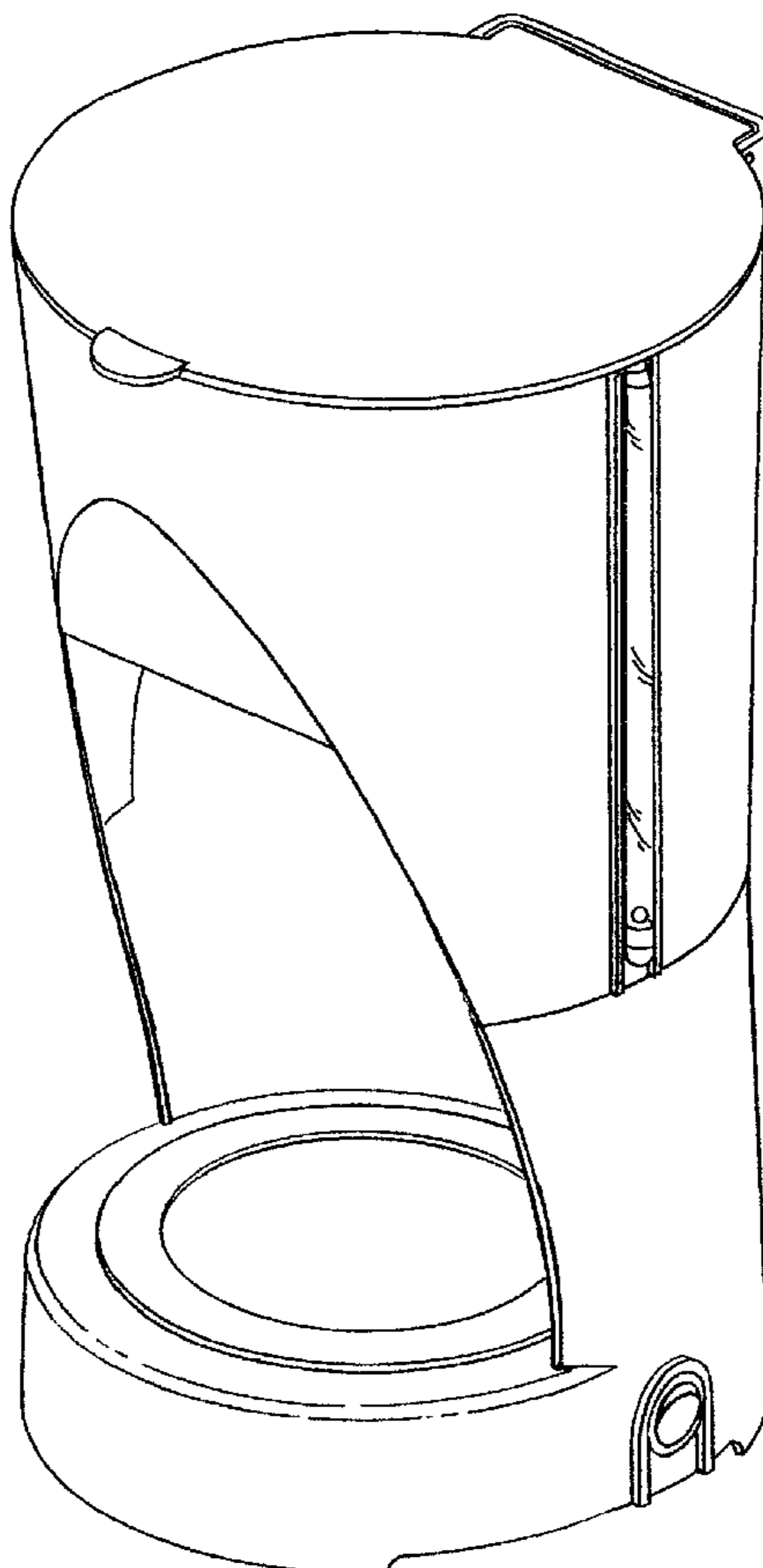
(57) **CLAIM**

The ornamental design for a coffeemaker, as shown and described.

DESCRIPTION

FIG. 1 is a top front right perspective view of the coffee-maker showing the new design;
FIG. 2 is a left side elevational view thereof;
FIG. 3 is a front elevation view thereof;
FIG. 4 is a right side elevation view thereof;
FIG. 5 is a rear elevation view thereof;
FIG. 6 is a top plan view thereof; and,
FIG. 7 is a bottom plan view thereof.

1 Claim, 3 Drawing Sheets



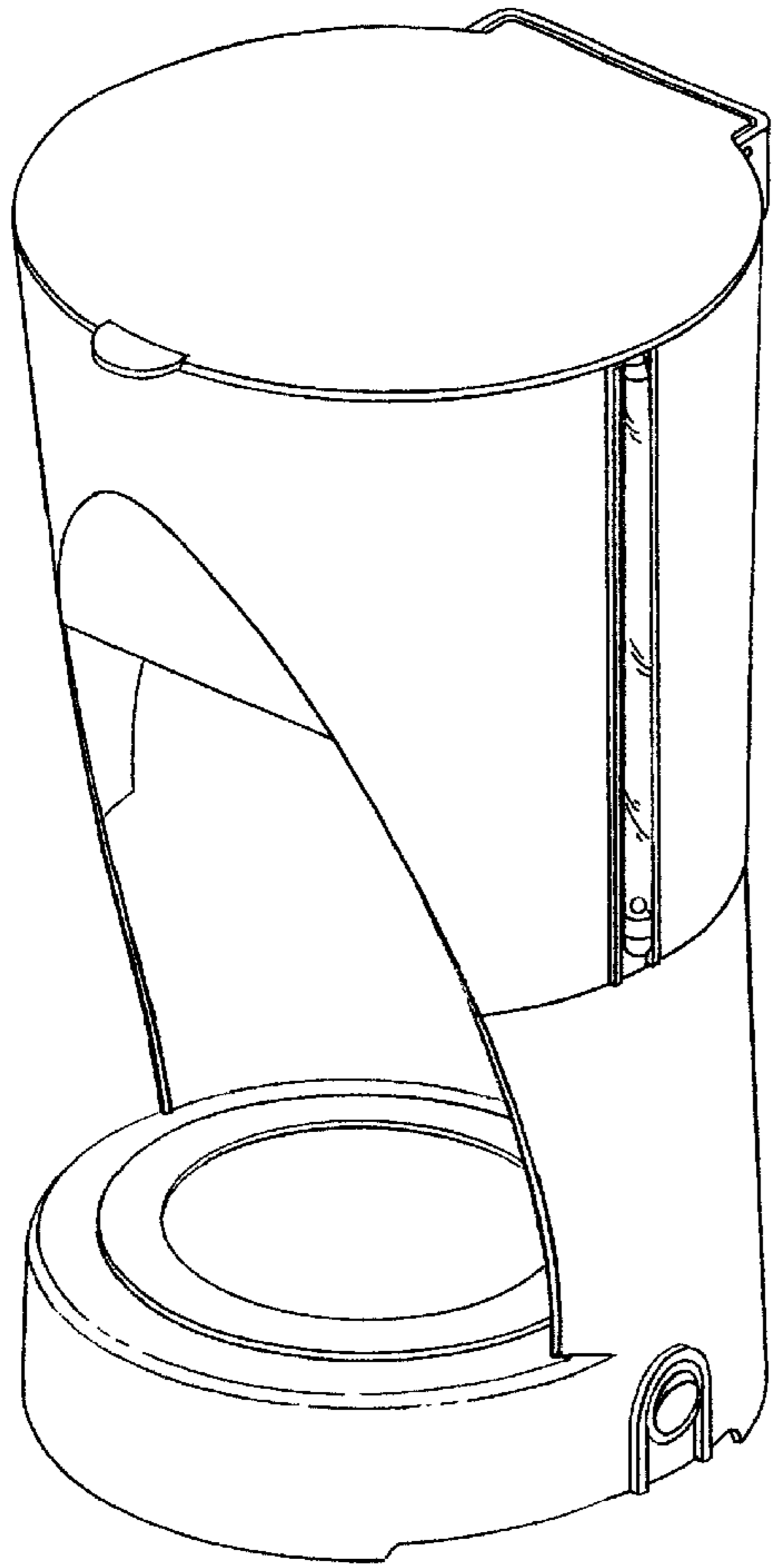


FIG 1

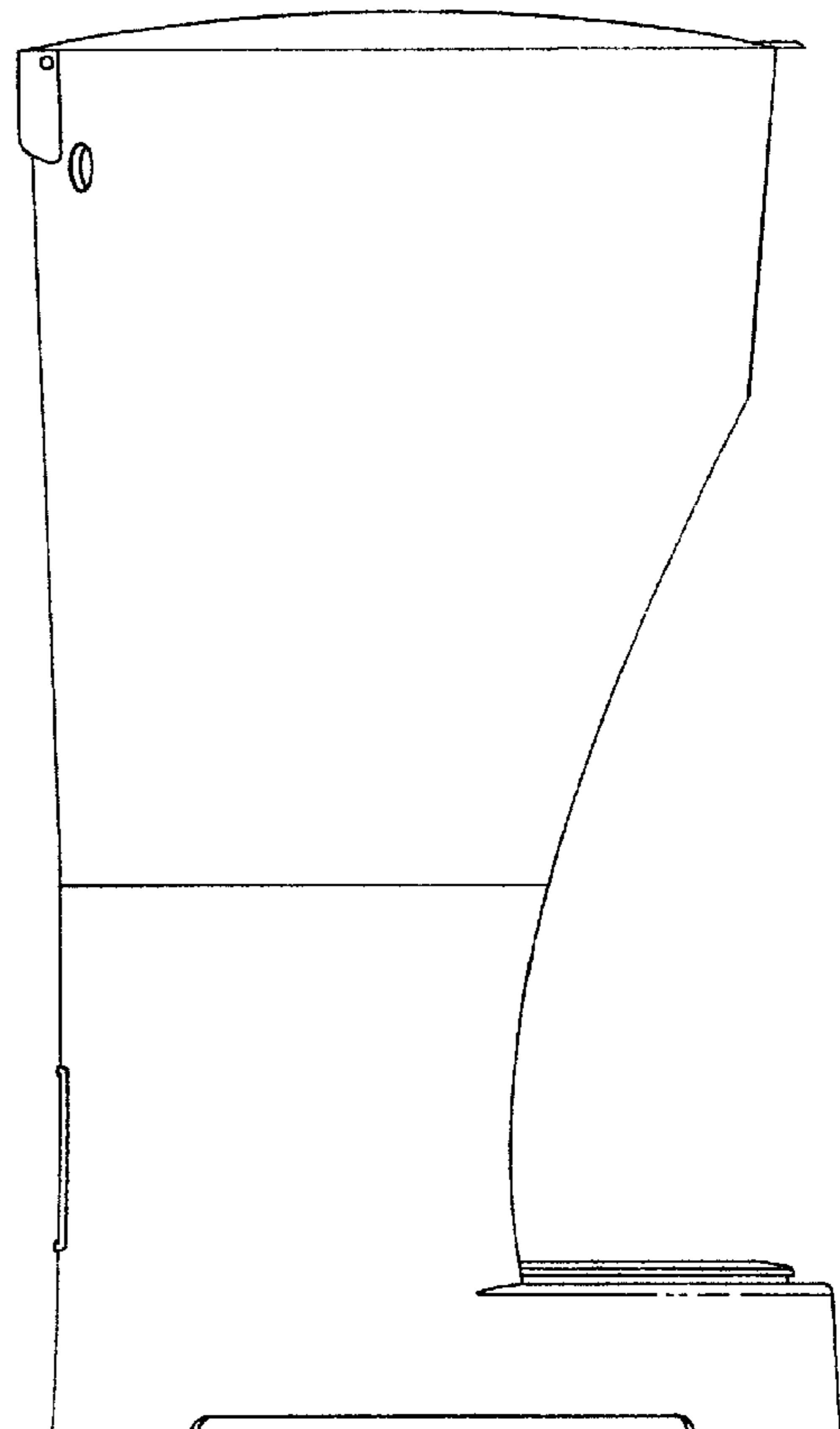


FIG 2

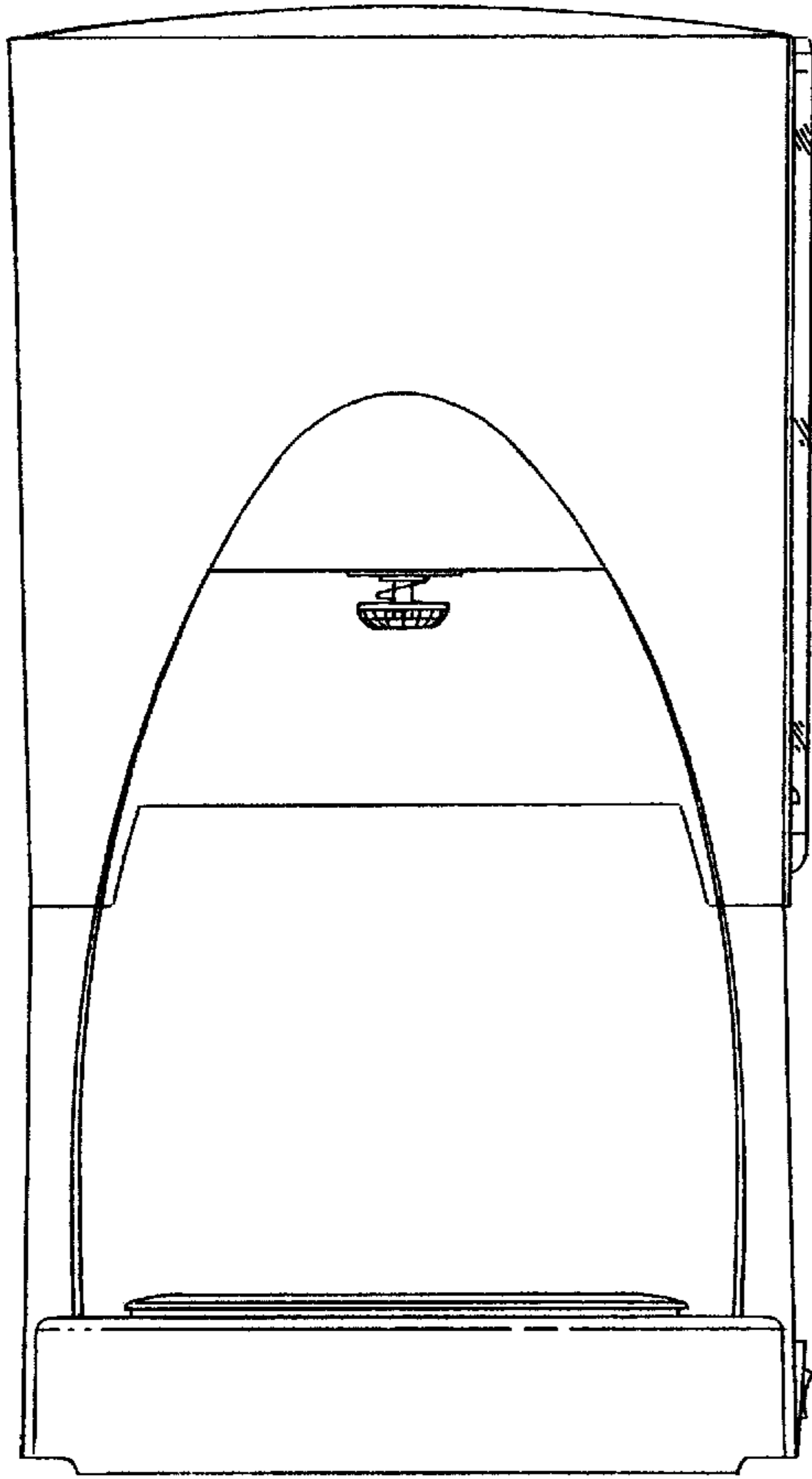


FIG 3

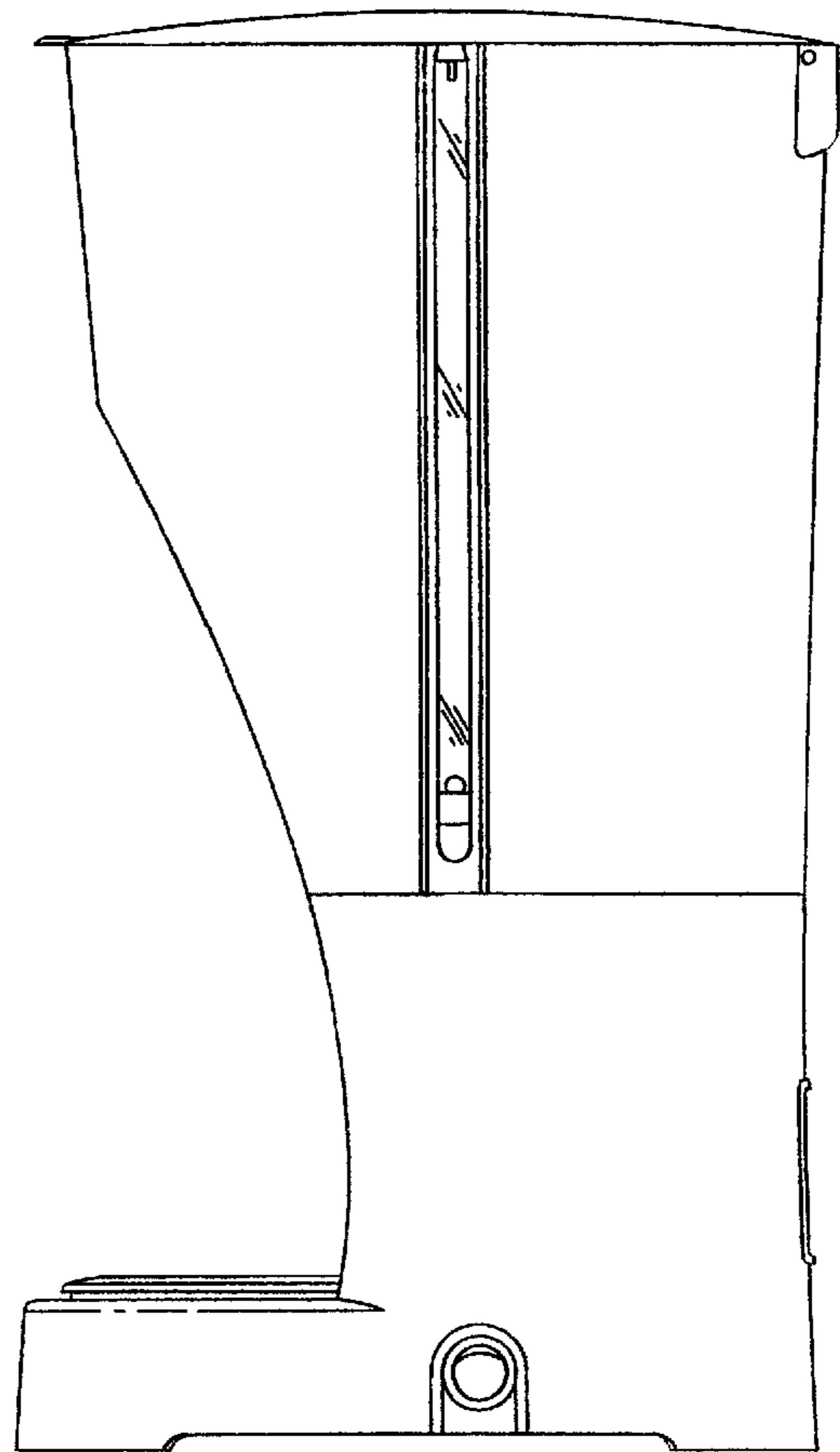


FIG 4

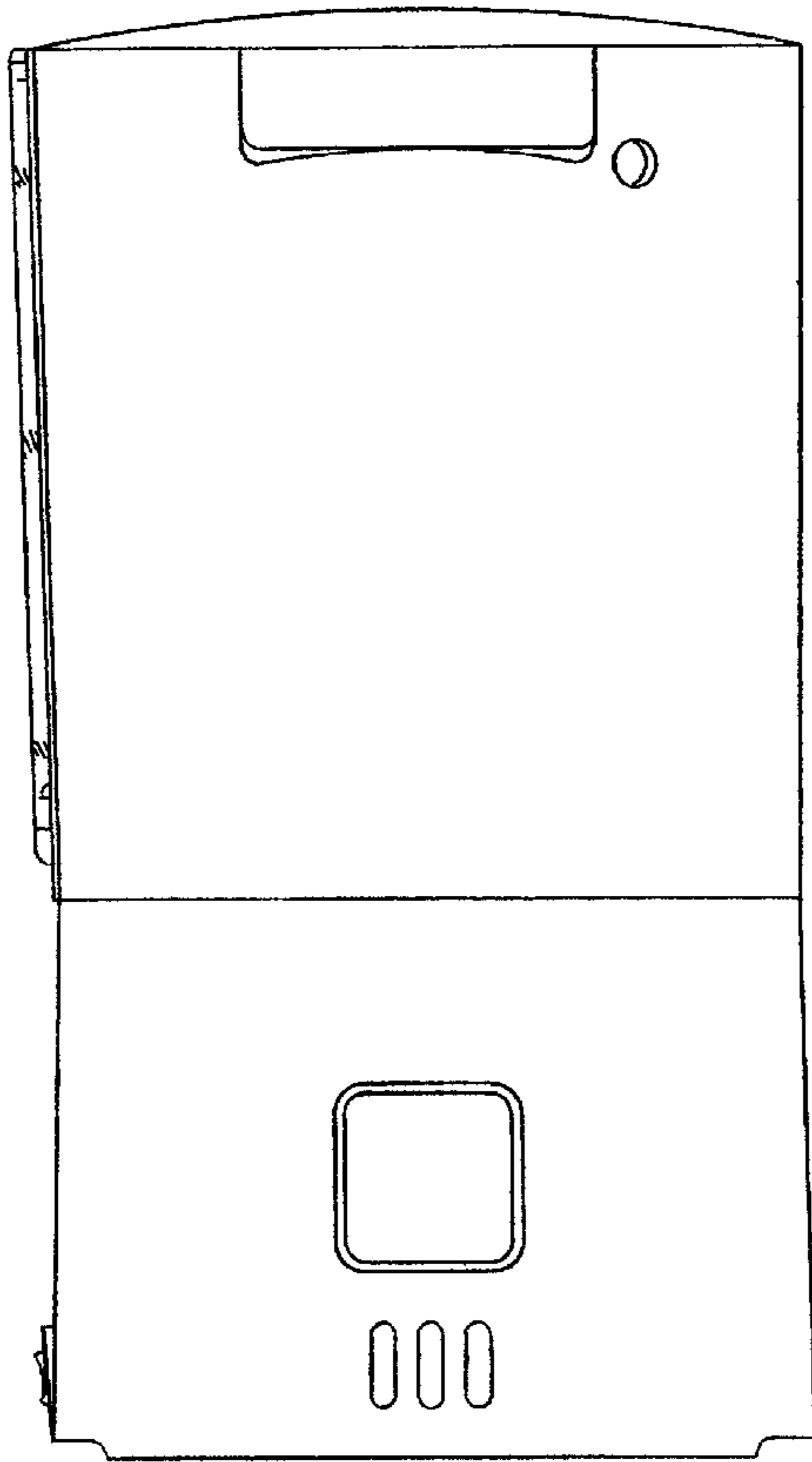


FIG 5

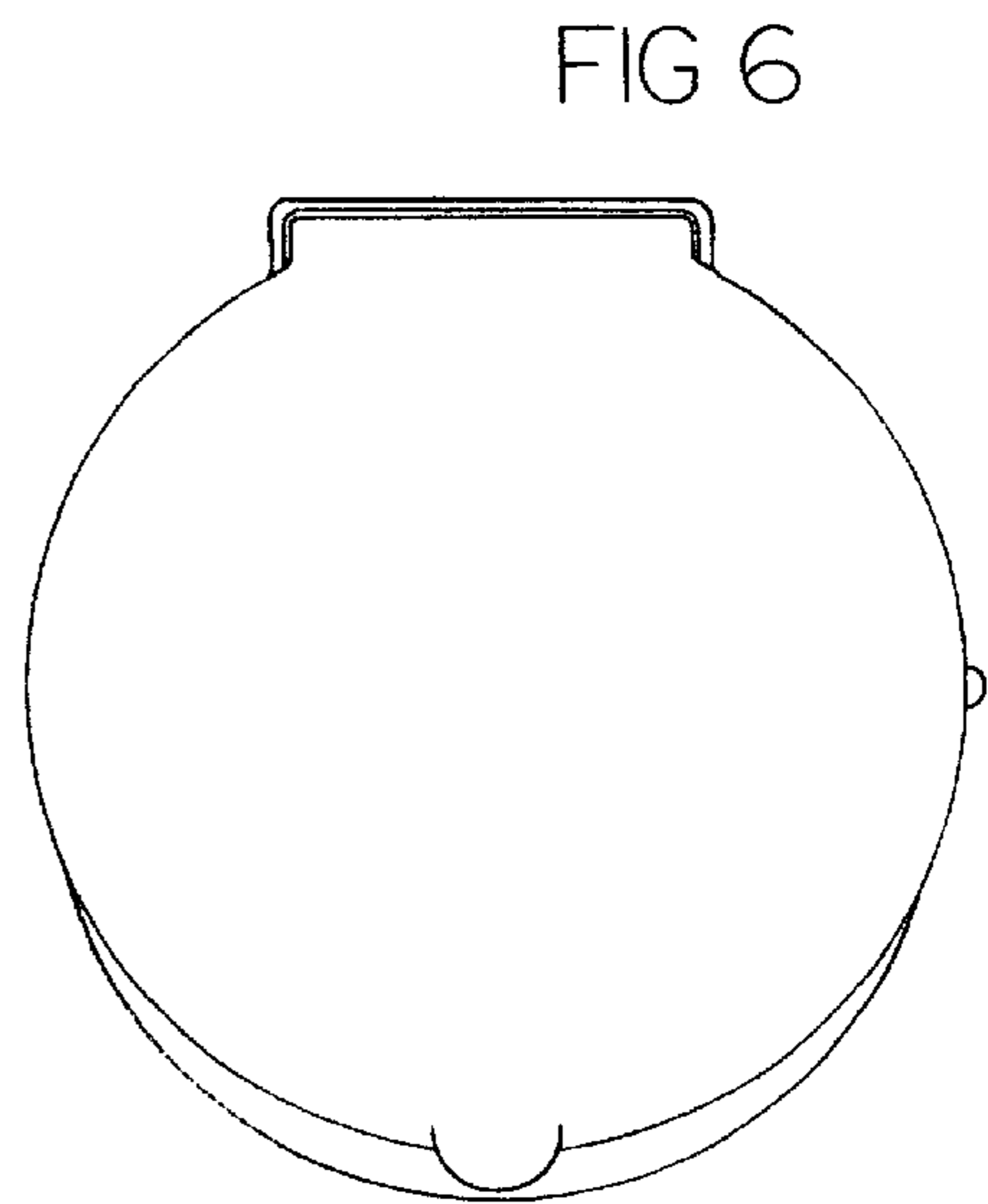


FIG 6

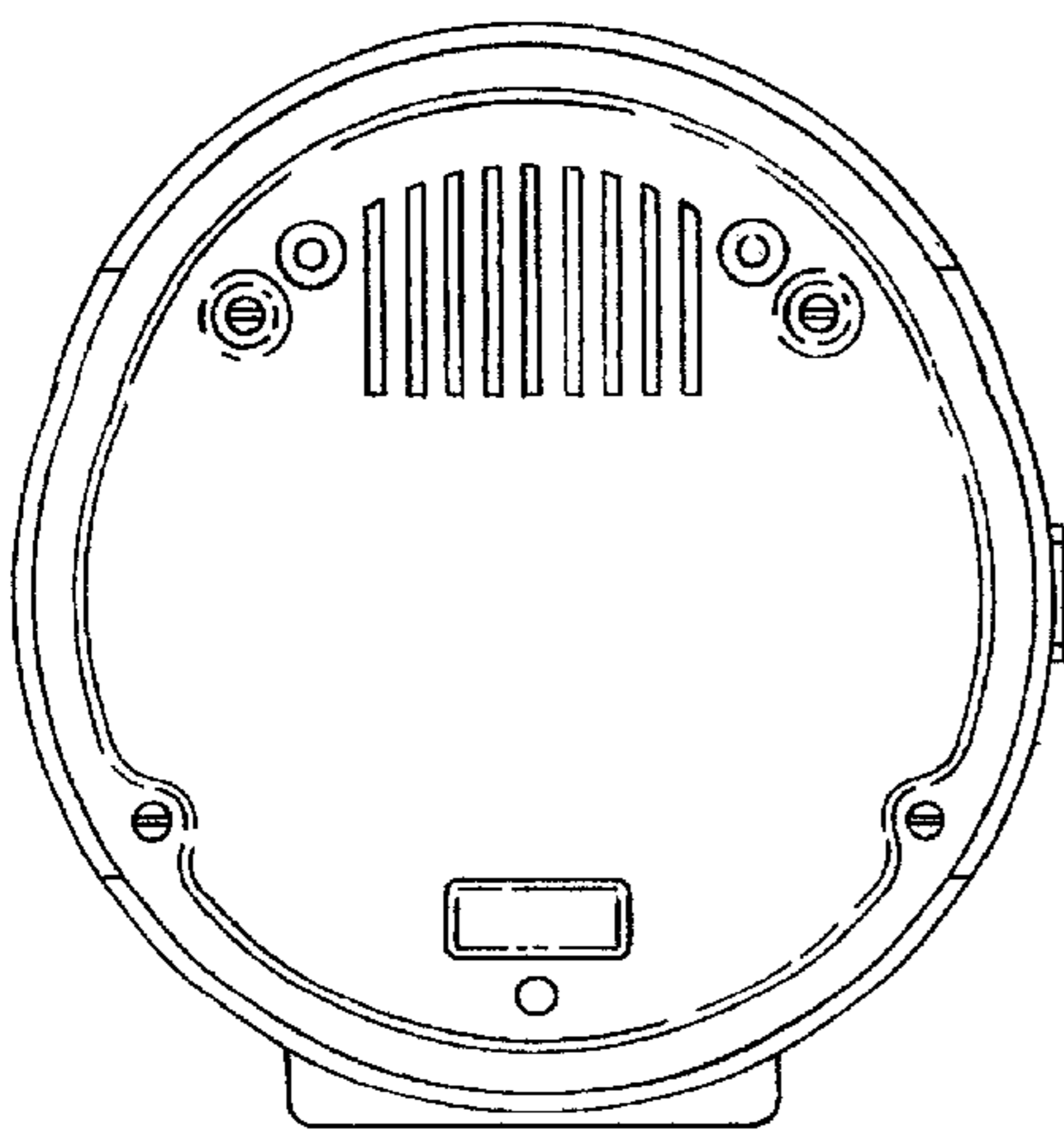


FIG 7