



US00D483210S

(12) **United States Design Patent**  
**Yorek**

(10) **Patent No.:** **US D483,210 S**

(45) **Date of Patent:** **\*\* Dec. 9, 2003**

(54) **SHELVING**

(76) Inventor: **Robert F. Yorek**, 11475 90th St., Little Falls, MN (US) 56345

(\*\*) Term: **14 Years**

(21) Appl. No.: **29/165,909**

(22) Filed: **Aug. 19, 2002**

(51) **LOC (7) Cl.** ..... **06-04**

(52) **U.S. Cl.** ..... **D6/574**

(58) **Field of Search** ..... D6/553, 567, 569-571, D6/574; 211/13.1, 42, 70.01, 86.01, 87.01, 90.01, 90.04, 134

(56) **References Cited**

**U.S. PATENT DOCUMENTS**

D297,388 S	8/1988	Glendinning	
D393,556 S	4/1998	Jordan	
D416,737 S	* 11/1999	MutruX	..... D6/567
D428,291 S	* 7/2000	Koncar	..... D6/574

D430,985 S	*	9/2000	Jackson et al.	.....	D6/574
D435,383 S		12/2000	Evans et al.		
D471,394 S	*	3/2003	Robinson	.....	D6/574

\* cited by examiner

*Primary Examiner*—Brian N. Vinson  
(74) *Attorney, Agent, or Firm*—Albert W. Watkins

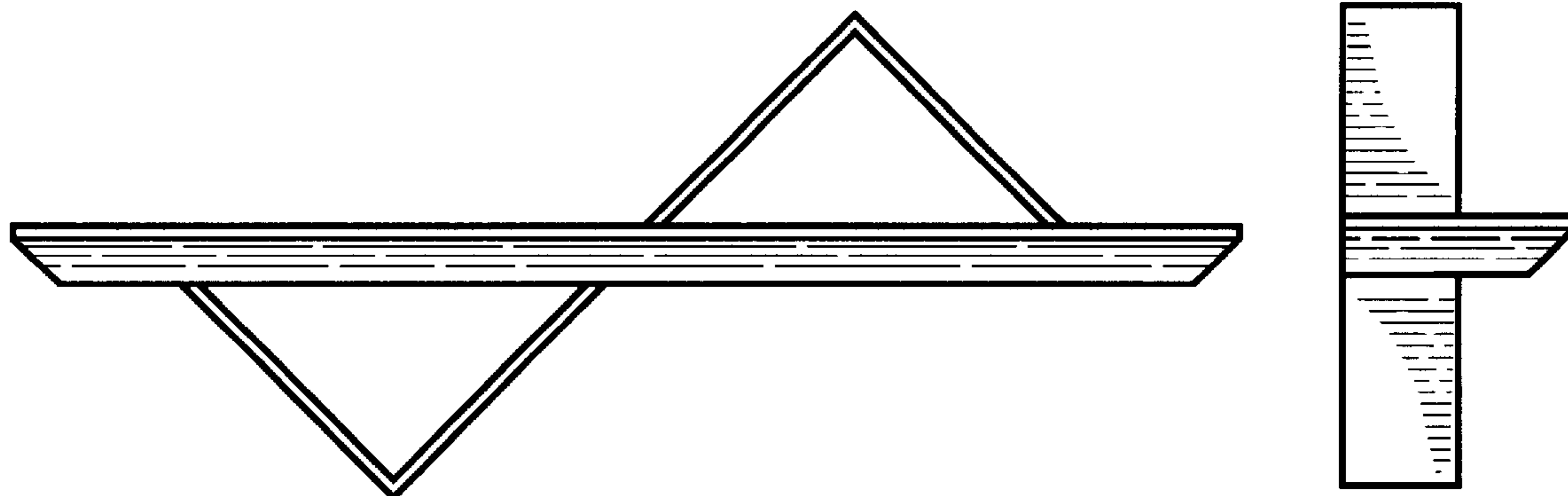
(57) **CLAIM**

I claim the ornamental design for shelving, as shown and described.

**DESCRIPTION**

FIG. 1 is a front view of shelving showing my new design.  
FIG. 2 is a back view thereof;  
FIG. 3 is a left side view thereof;  
FIG. 4 is a right side view thereof;  
FIG. 5 is a top view thereof; and,  
FIG. 6 is a bottom view thereof.

**1 Claim, 1 Drawing Sheet**



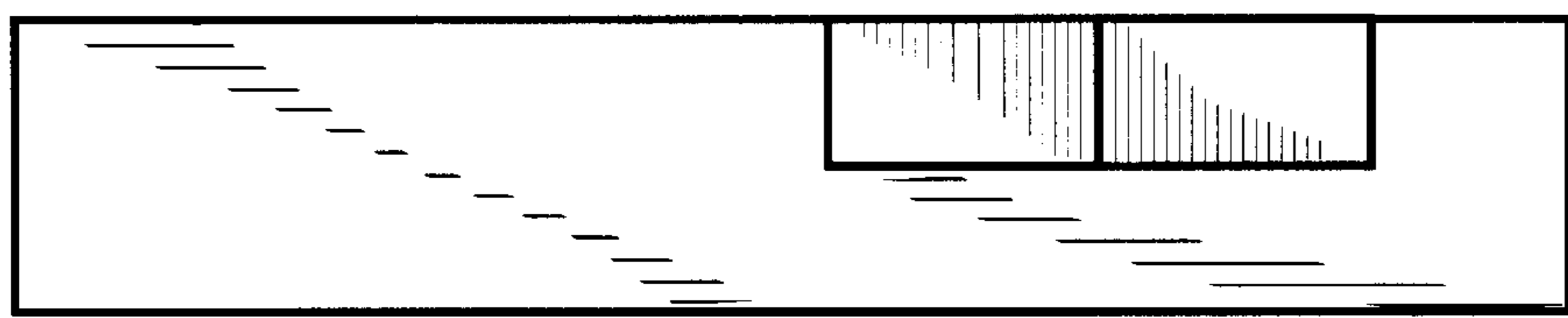
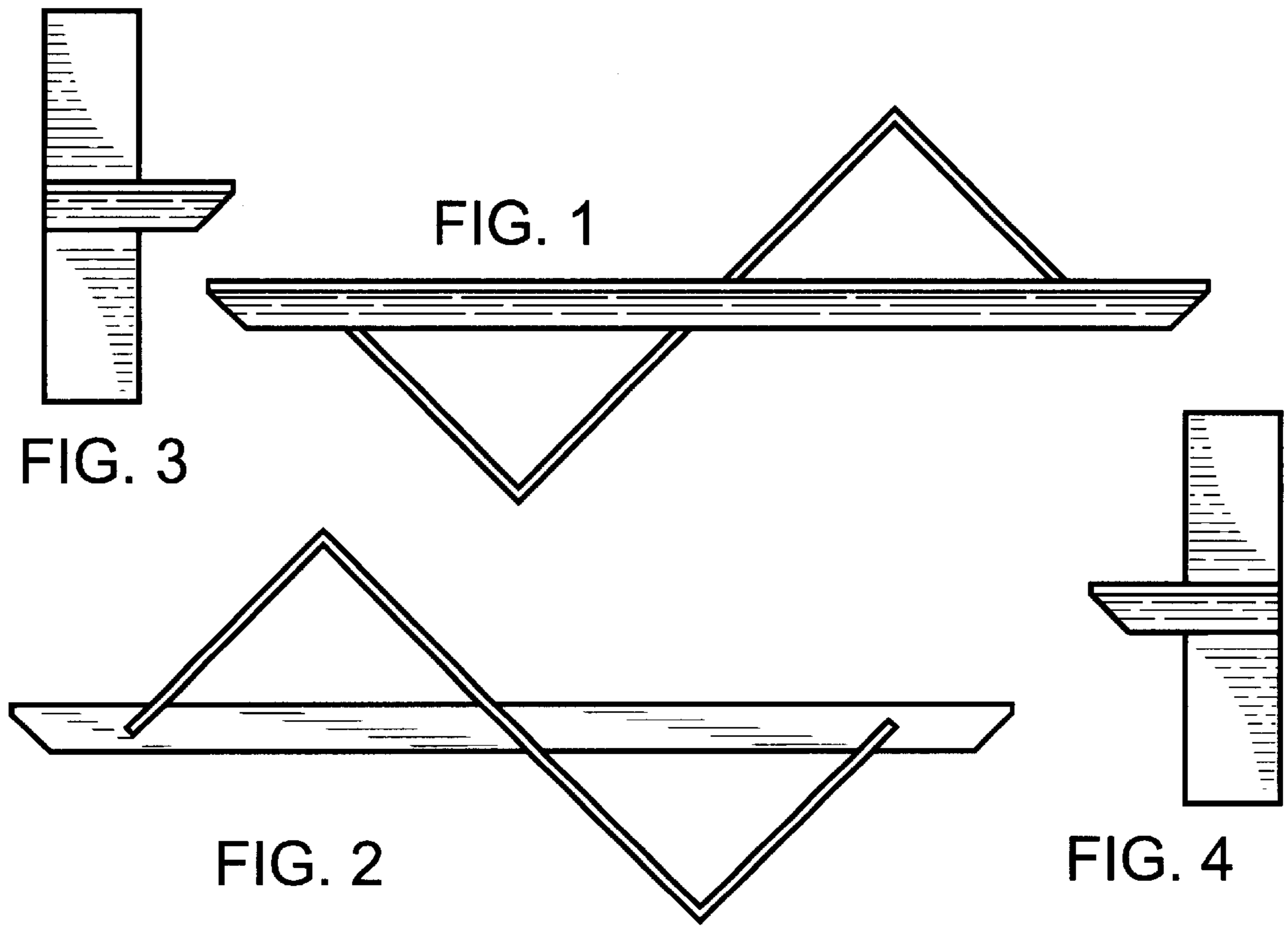


FIG. 5

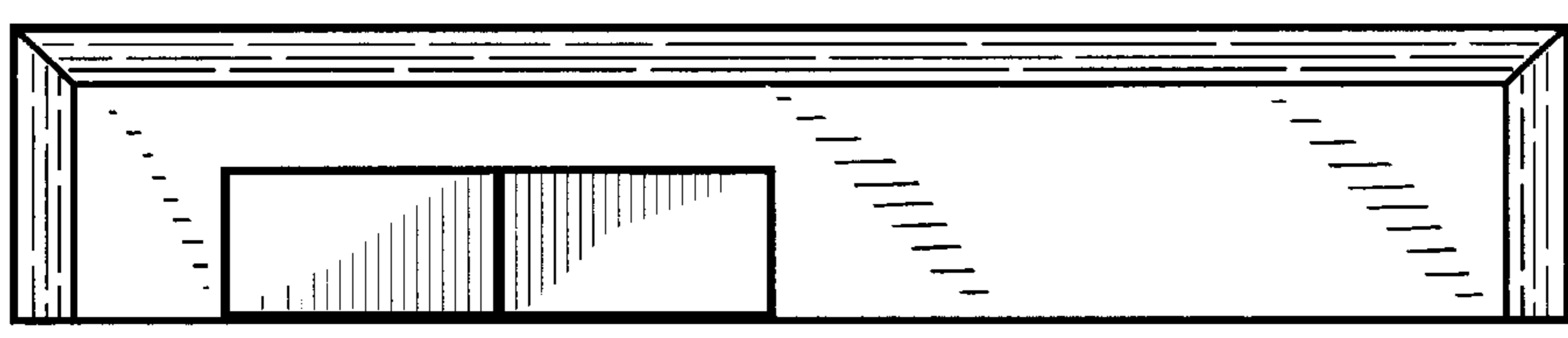


FIG. 6