



US00D483208S

(12) **United States Design Patent**  
**Tsang**

(10) **Patent No.:** **US D483,208 S**

(45) **Date of Patent:** **\*\* Dec. 9, 2003**

(54) **FOAM GENERATOR**

(75) Inventor: **Chi Sing Tsang**, New Territories (HK)

(73) Assignee: **Jing Mei Industrial Holdings Limited**,  
Rarotonga (CK)

(\*\*) Term: **14 Years**

(21) Appl. No.: **29/177,282**

(22) Filed: **Mar. 6, 2003**

(51) **LOC (7) Cl.** ..... **23-02**

(52) **U.S. Cl.** ..... **D6/542**

(58) **Field of Search** ..... D6/542-545; 206/77.1;  
221/96, 208, 282, 284; 222/105, 146.1,  
146.3, 146.5, 173, 630

(56) **References Cited**

**U.S. PATENT DOCUMENTS**

3,904,086 A \* 9/1975 Losemno ..... 222/146.5  
D300,893 S \* 5/1989 Shultz ..... D6/542  
D334,106 S \* 3/1993 Piper ..... D6/542  
D347,136 S \* 5/1994 Costa ..... D6/542

D403,544 S \* 1/1999 Wilkinson ..... D6/542  
D415,643 S \* 10/1999 Wilkinson ..... D6/542  
D438,740 S \* 3/2001 Donnell ..... D6/542

\* cited by examiner

*Primary Examiner*—Brian N. Vinson

(74) *Attorney, Agent, or Firm*—Norris McLaughlin &  
Marcus

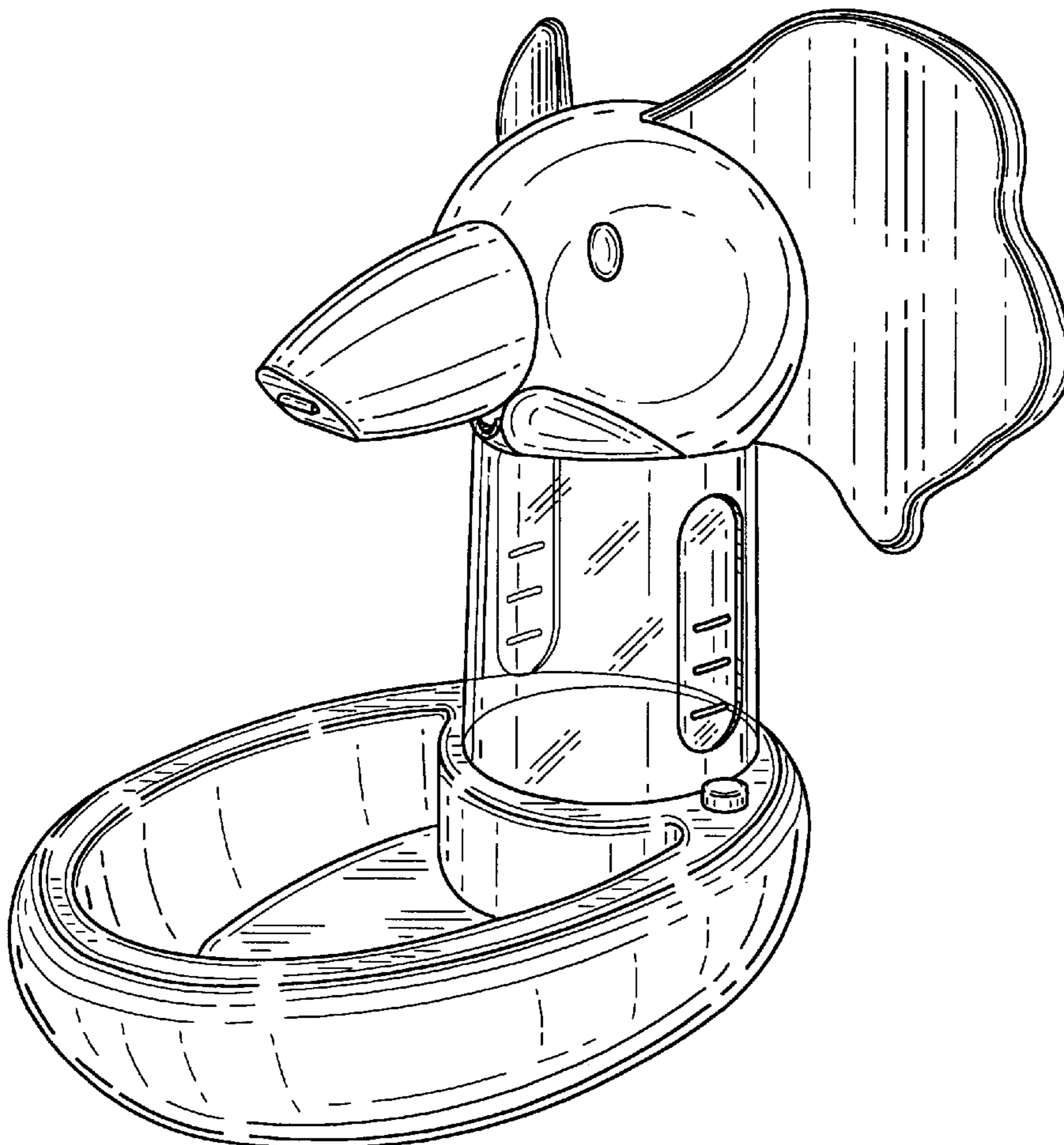
(57) **CLAIM**

The ornamental design for foam generator, as shown and described.

**DESCRIPTION**

FIG. 1 is a front perspective view of the design for foam generator;  
FIG. 2 a front elevational view of the design of FIG. 1;  
FIG. 3 a rear elevational view of the design of FIG. 1;  
FIG. 4 a top plan view of the design of FIG. 1;  
FIG. 5 a bottom plan view of the design of FIG. 1;  
FIG. 6 a left side view of the design of FIG. 1; and,  
FIG. 7 a right side view of the design of FIG. 1.

**1 Claim, 4 Drawing Sheets**



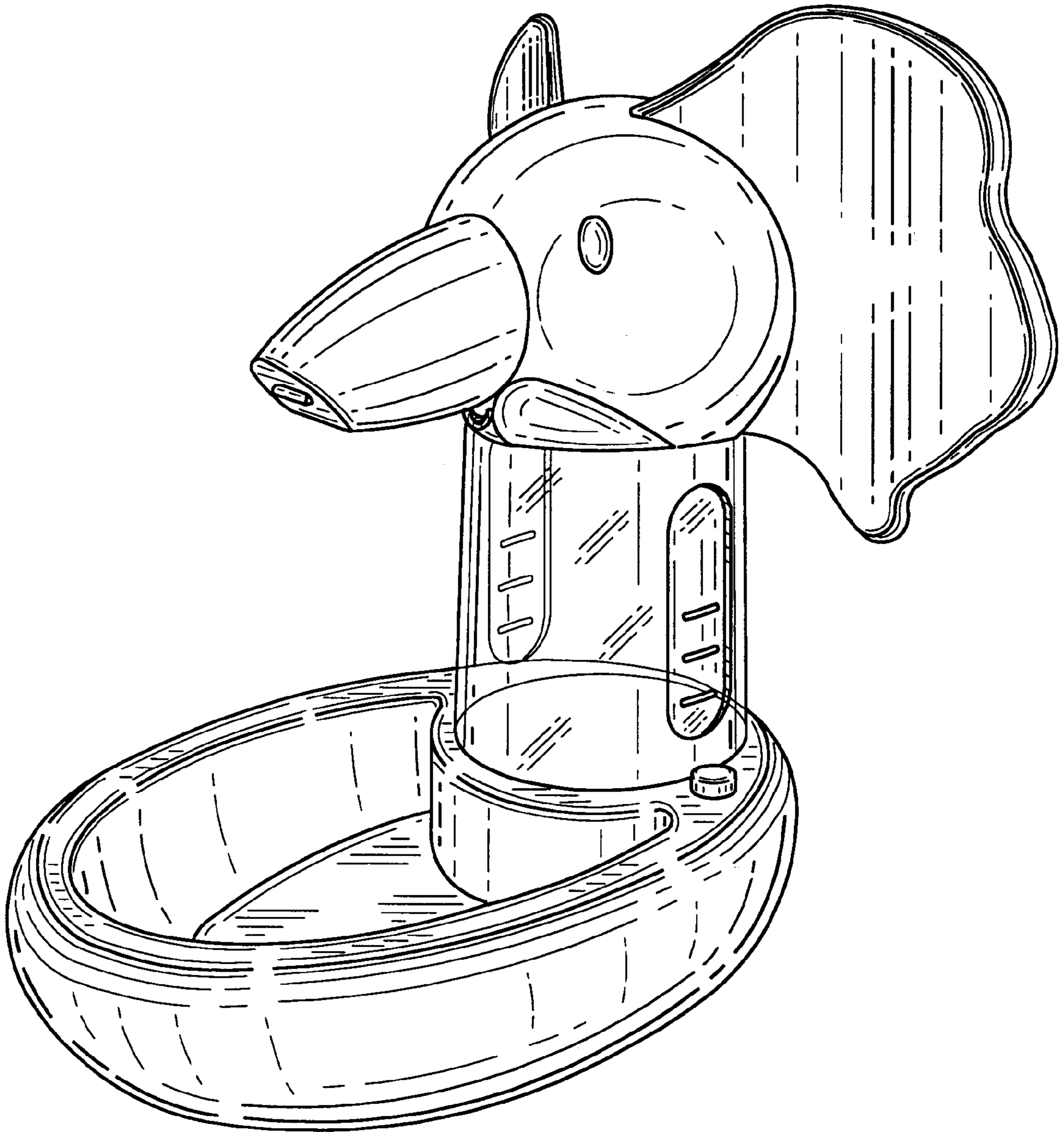


FIG. 1

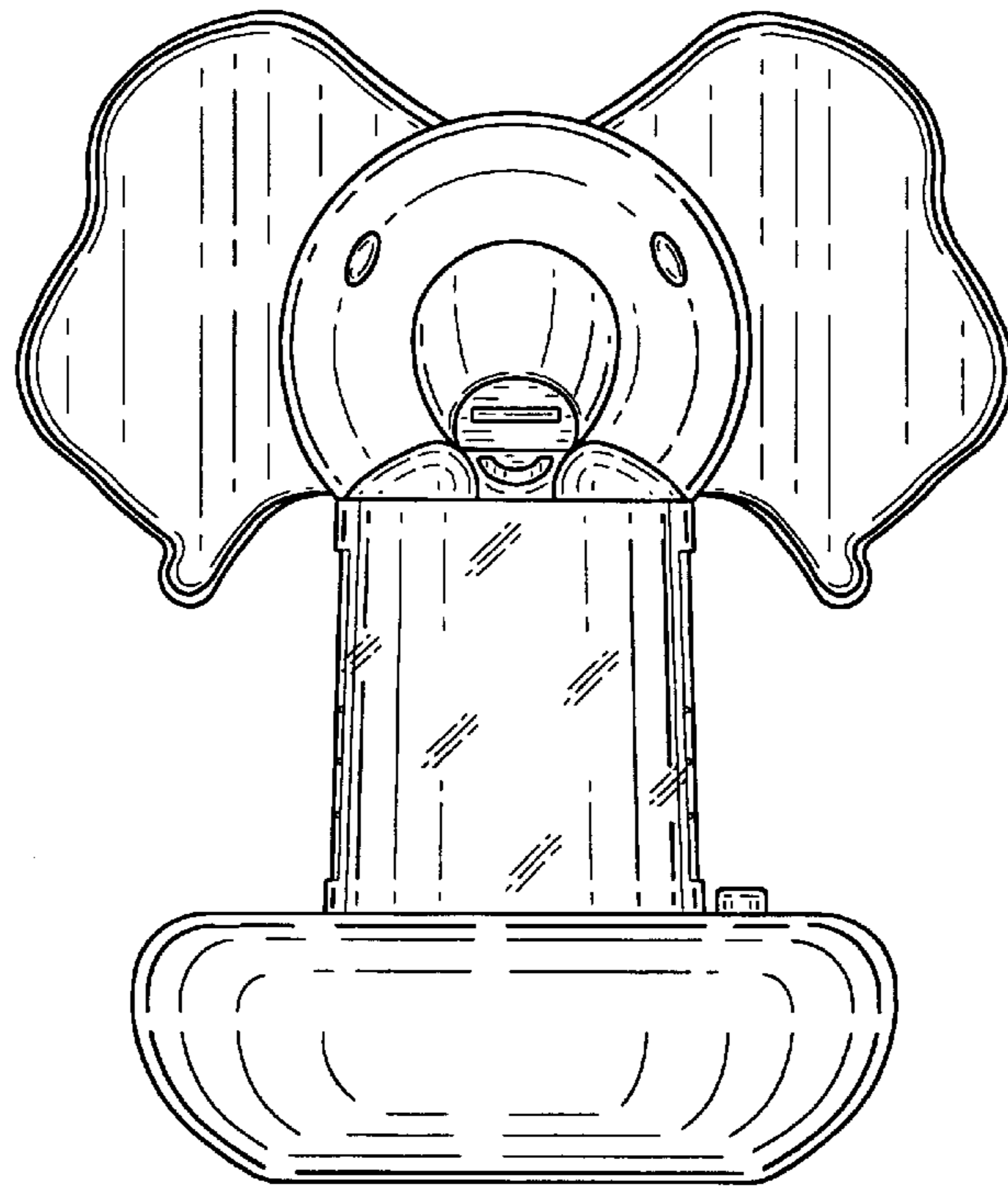


FIG. 2

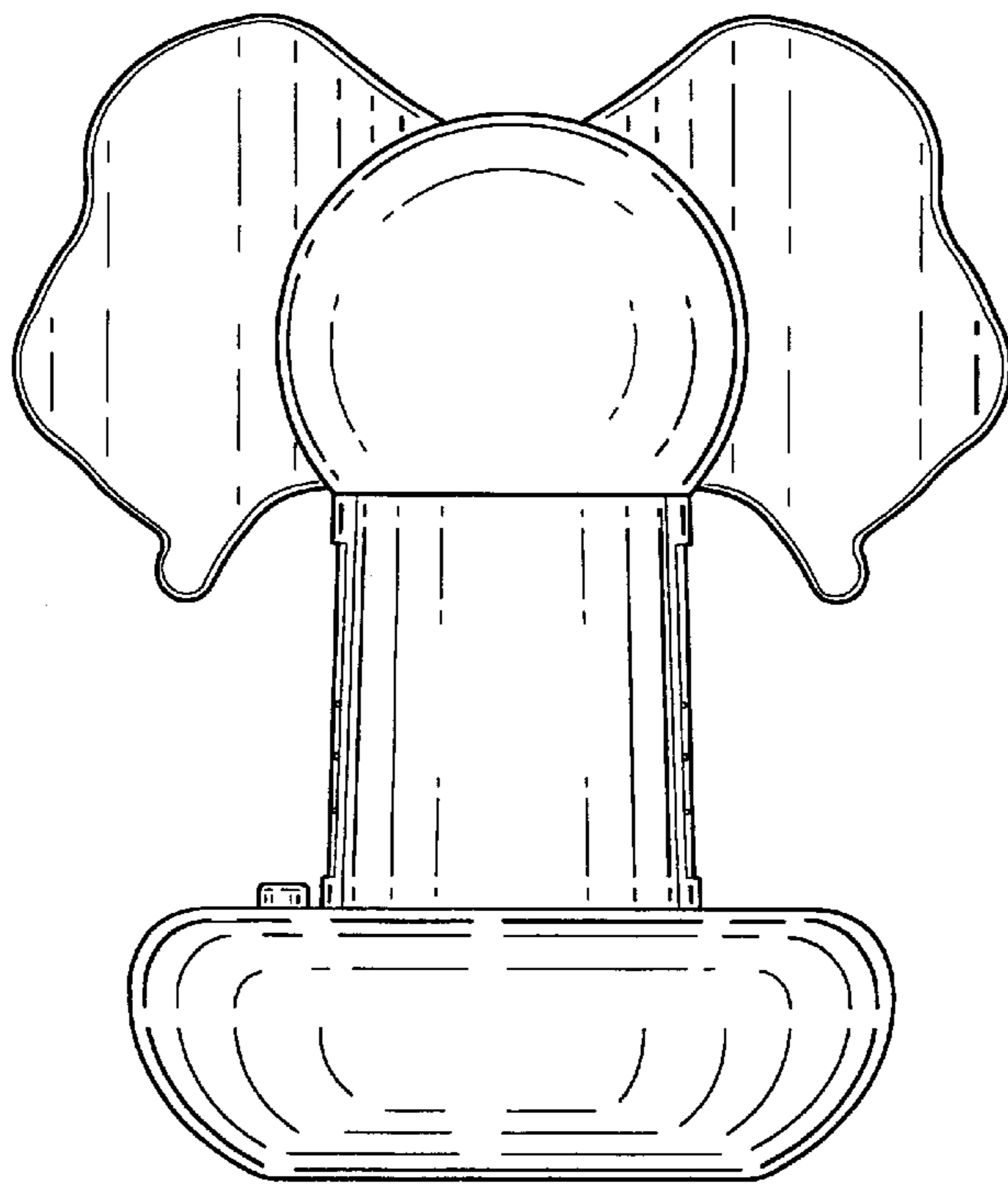


FIG. 3

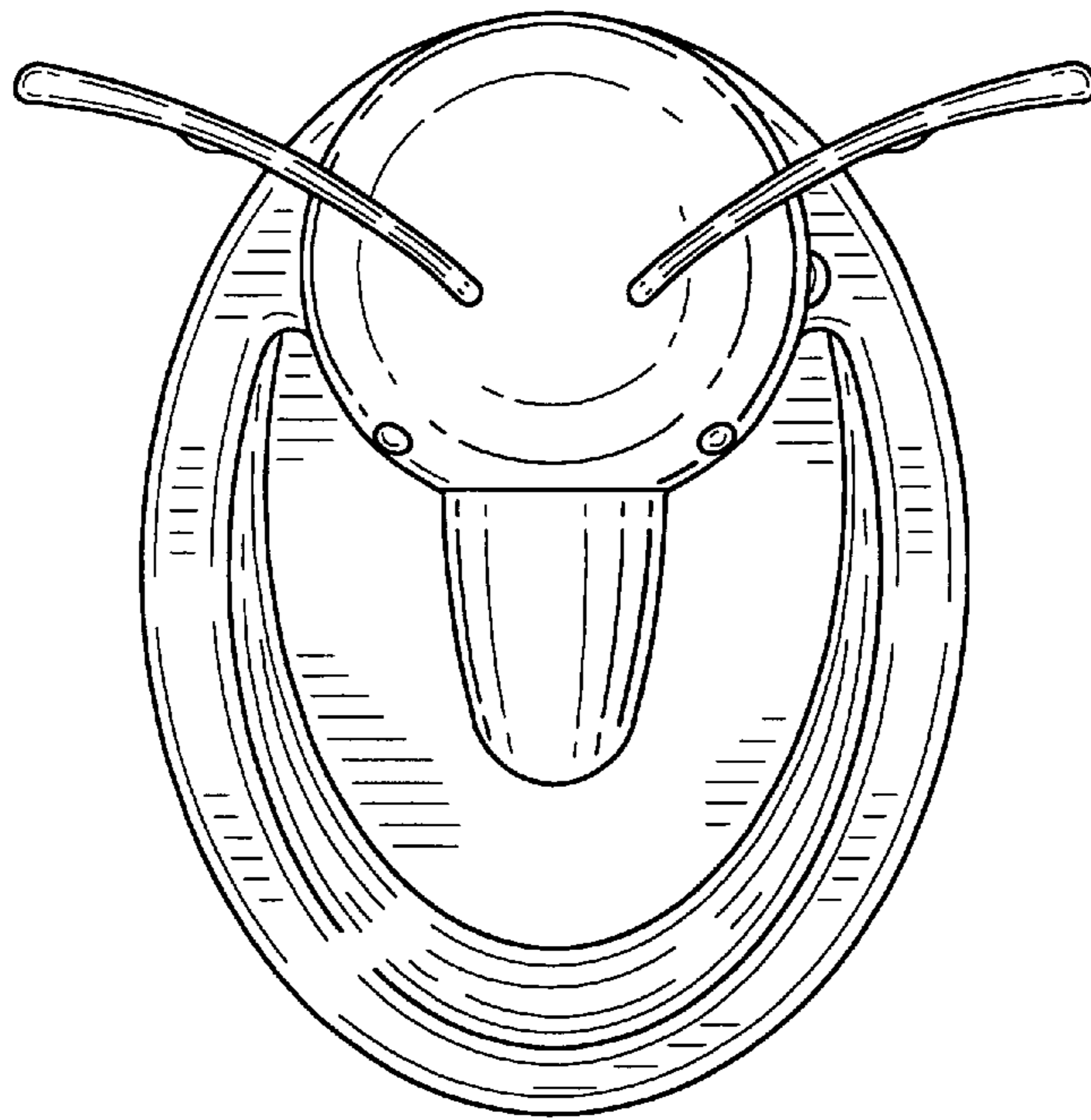


FIG. 4

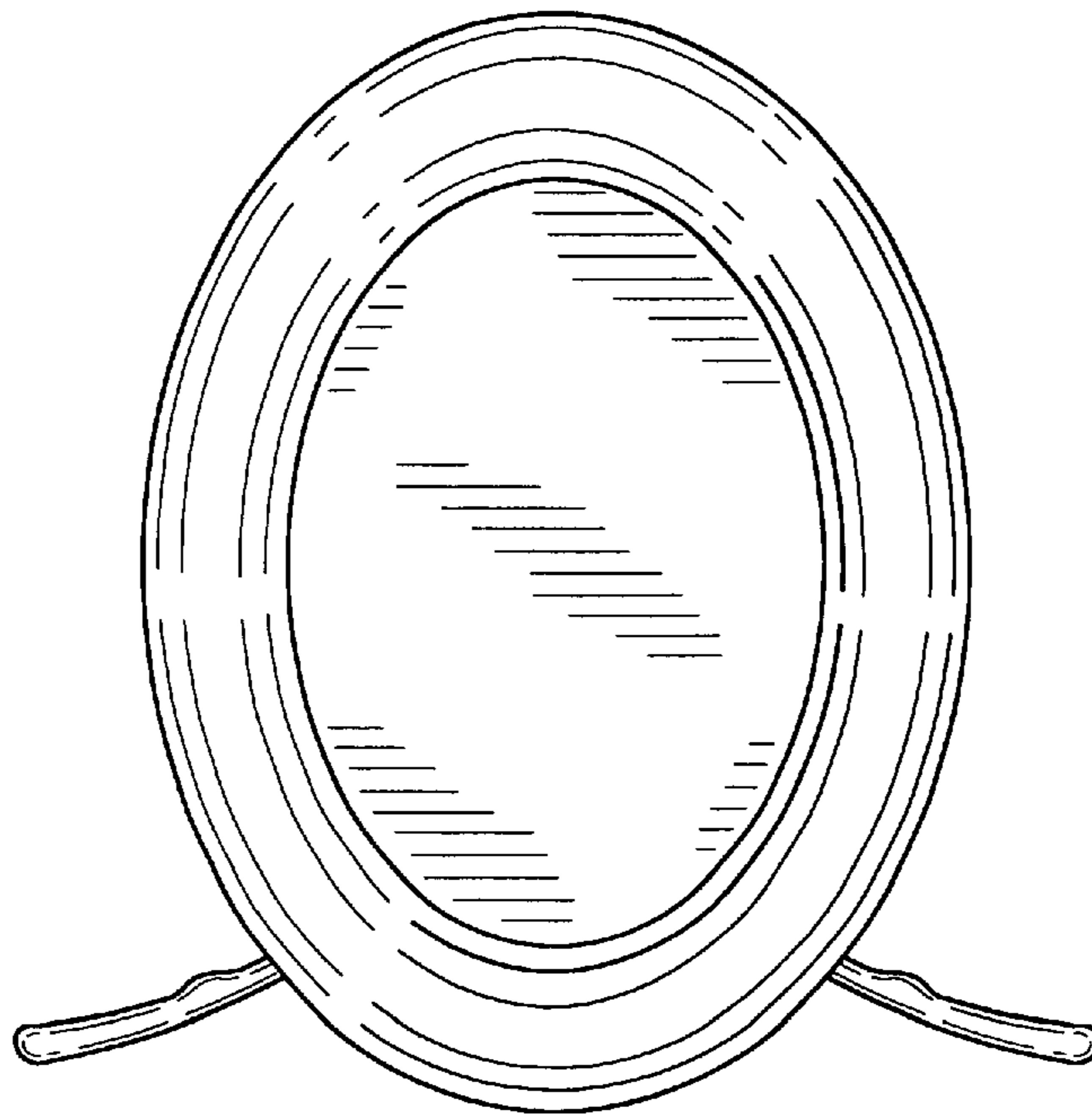


FIG. 5



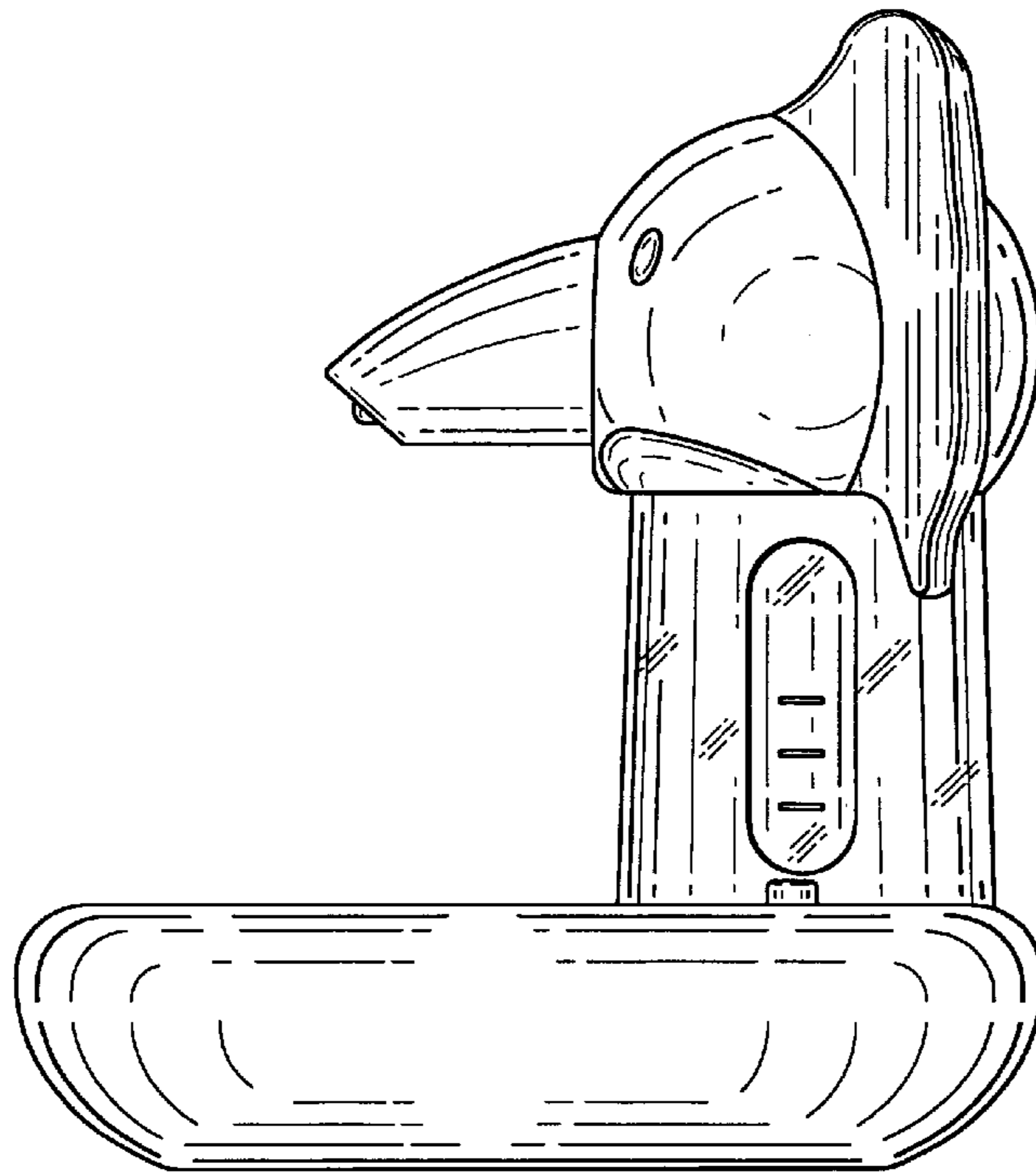


FIG. 6

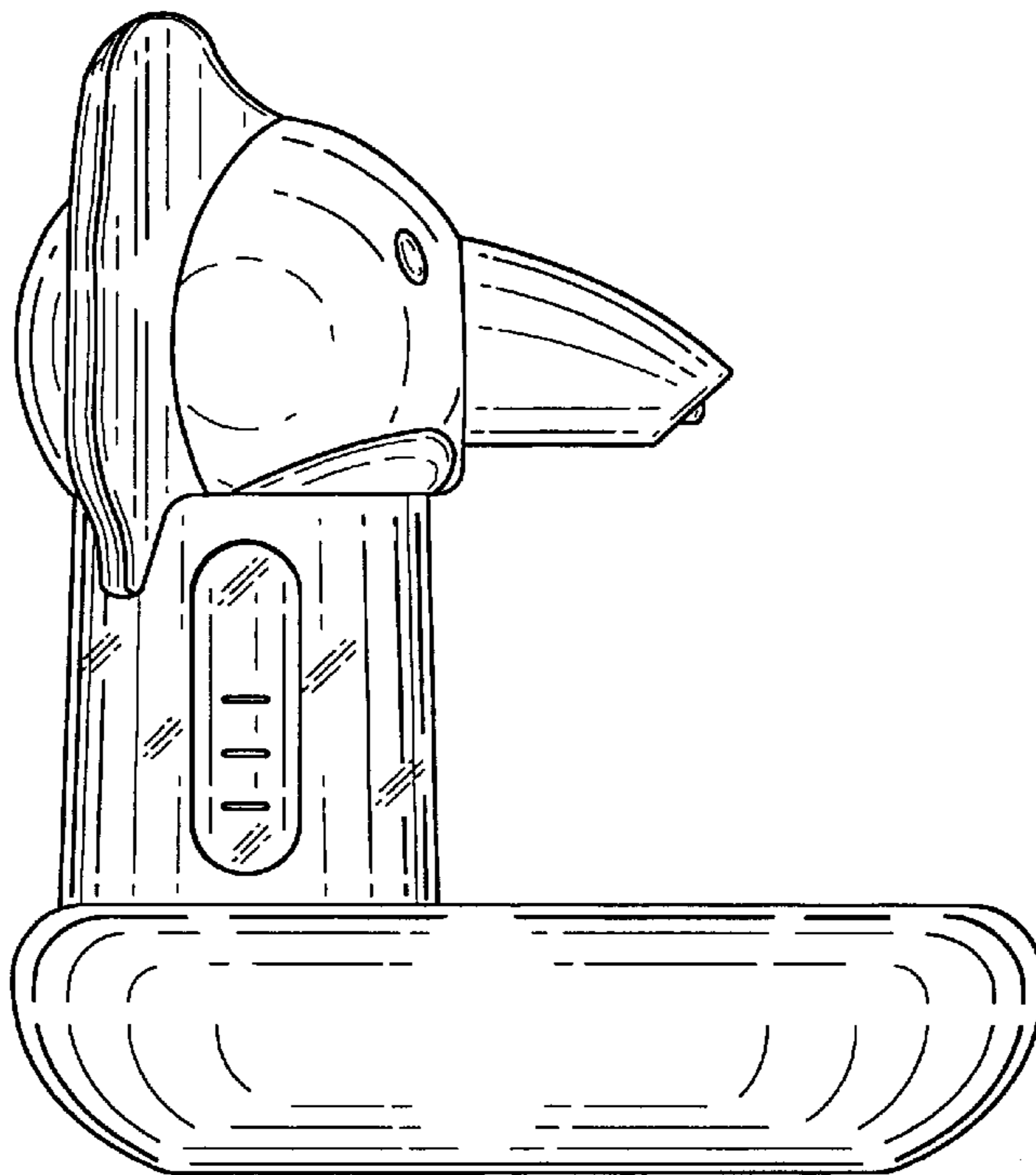


FIG. 7