



US00D483202S

(12) **United States Design Patent**
Slemmons

(10) **Patent No.:** **US D483,202 S**

(45) **Date of Patent:** **** Dec. 9, 2003**

(54) **BARREL GAME TABLE**

(76) Inventor: **Leslie P. Slemmons**, 4003 Naomi Dr.,
Louisville, KY (US) 40219

(**) Term: **14 Years**

(21) Appl. No.: **29/171,849**

(22) Filed: **Dec. 2, 2002**

(51) **LOC (7) Cl.** **06-03**

(52) **U.S. Cl.** **D6/451; D21/397**

(58) **Field of Search** D6/480-489, 495,
D6/450, 451; D21/397, 334, 338; 108/150,
25, 33, 38; 273/309, 48 R; D9/325; D34/39

(56) **References Cited**

U.S. PATENT DOCUMENTS

D97,548 S	*	11/1935	Davis	D6/451
D188,797 S	*	9/1960	Page	D6/451
D216,422 S	*	1/1970	Koch, III	D9/325
D234,477 S	*	3/1975	Lockhardt et al.	D6/451
D238,550 S	*	1/1976	Edwards	D9/325

* cited by examiner

Primary Examiner—Janice E. Seeger

(74) *Attorney, Agent, or Firm*—Carrithers Law Office;
David W. Carrithers

(57) **CLAIM**

The ornamental design for a barrel game table, as shown and described.

DESCRIPTION

FIG. 1 is a front perspective view of a barrel game table in accordance with my design;

FIG. 2 is a left side view, the right side view being a mirror image thereof;

FIG. 3 is a top plan view showing a game board in broken lines supported thereby

FIG. 4 is a bottom plan view thereof;

FIG. 5 is a front view, the rear view being a mirror image thereof;

FIG. 6 is a top view showing an alternate embodiment of a game board in broken lines supported thereby;

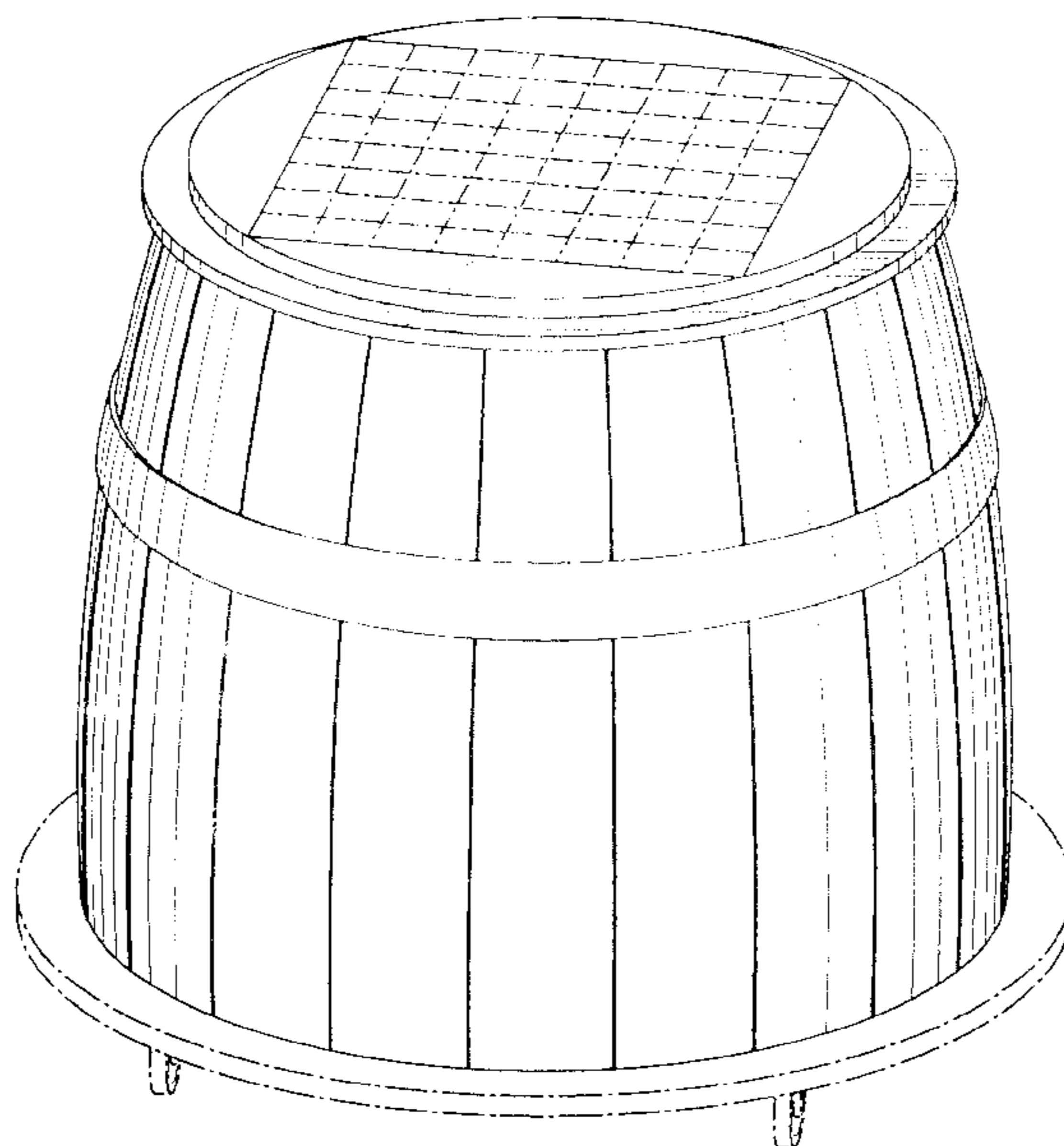
FIG. 7 is a front perspective view of a barrel game table in accordance with FIG. 6 including a game board insert for providing a flat surface;

FIG. 8 is a front perspective view of a barrel game table showing the game board insert removed for convenience of illustration; and,

FIG. 9 is a front perspective view of a barrel game table in accordance with FIG. 8 shown with a game board inserted into the depression wherein the surface of the game board extends above the barrel top surface.

The broken lines are included for the purpose of illustrating environmental structure only and forms no part of the claimed design.

1 Claim, 5 Drawing Sheets



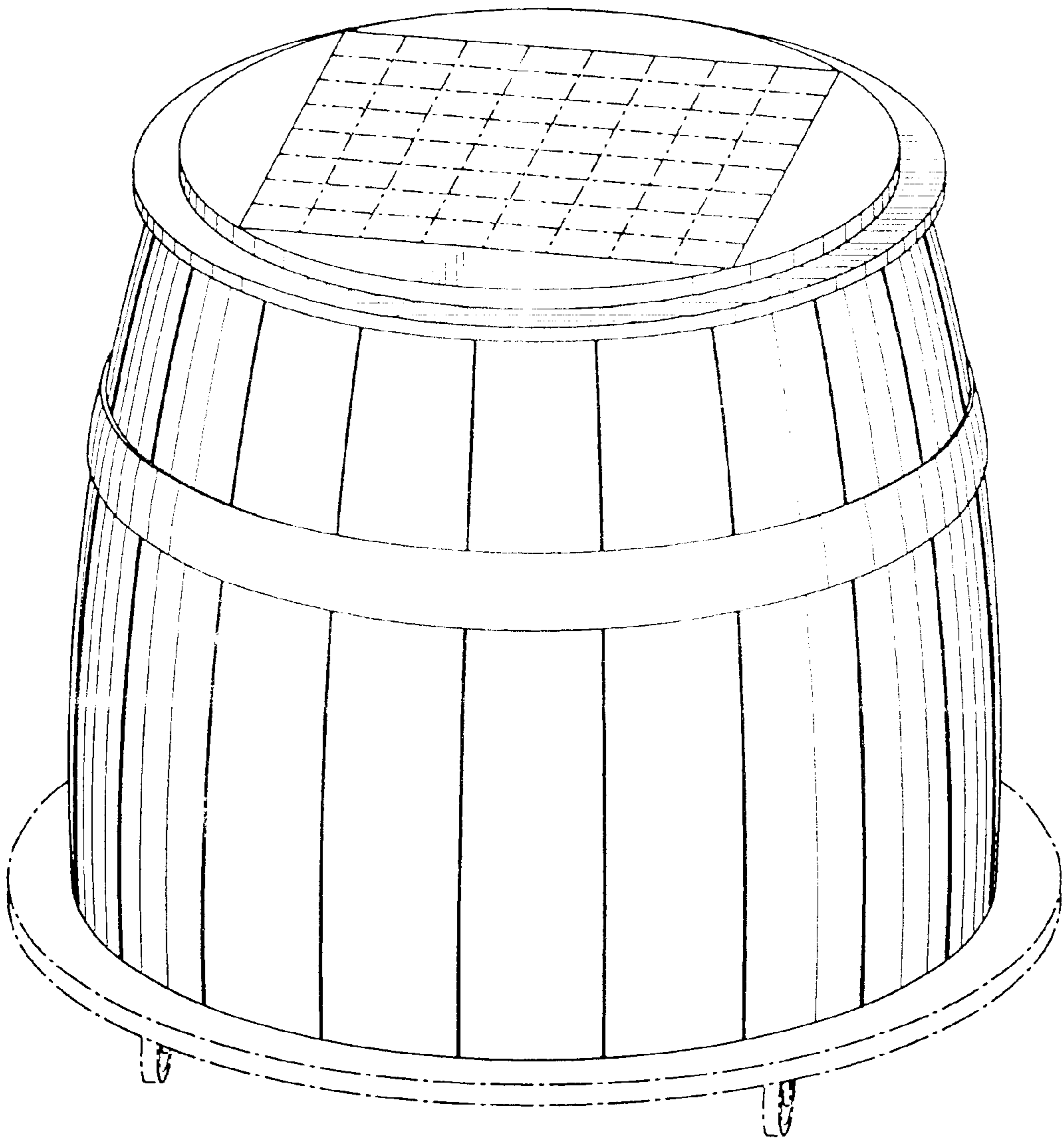


FIG. 1

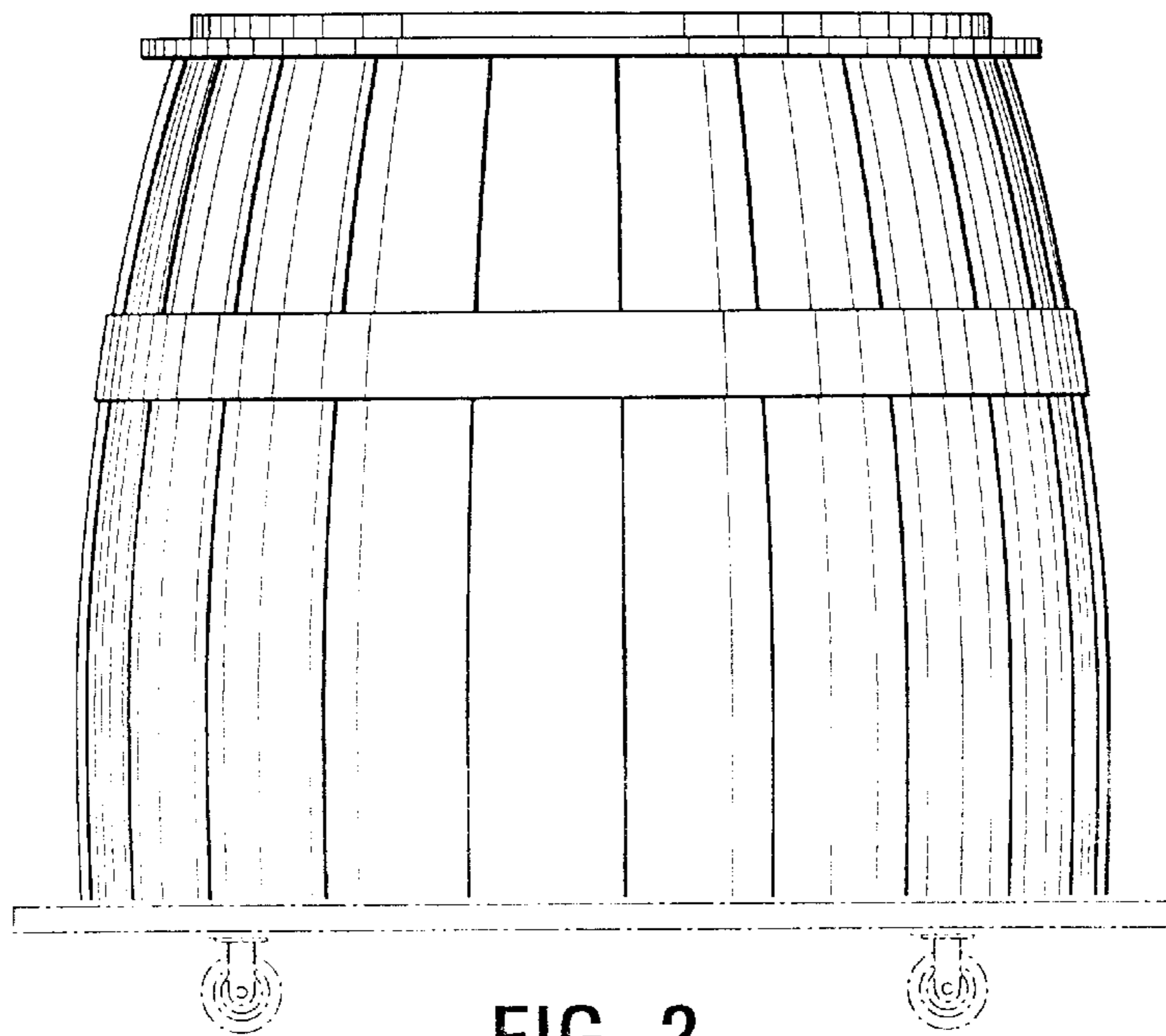


FIG. 2

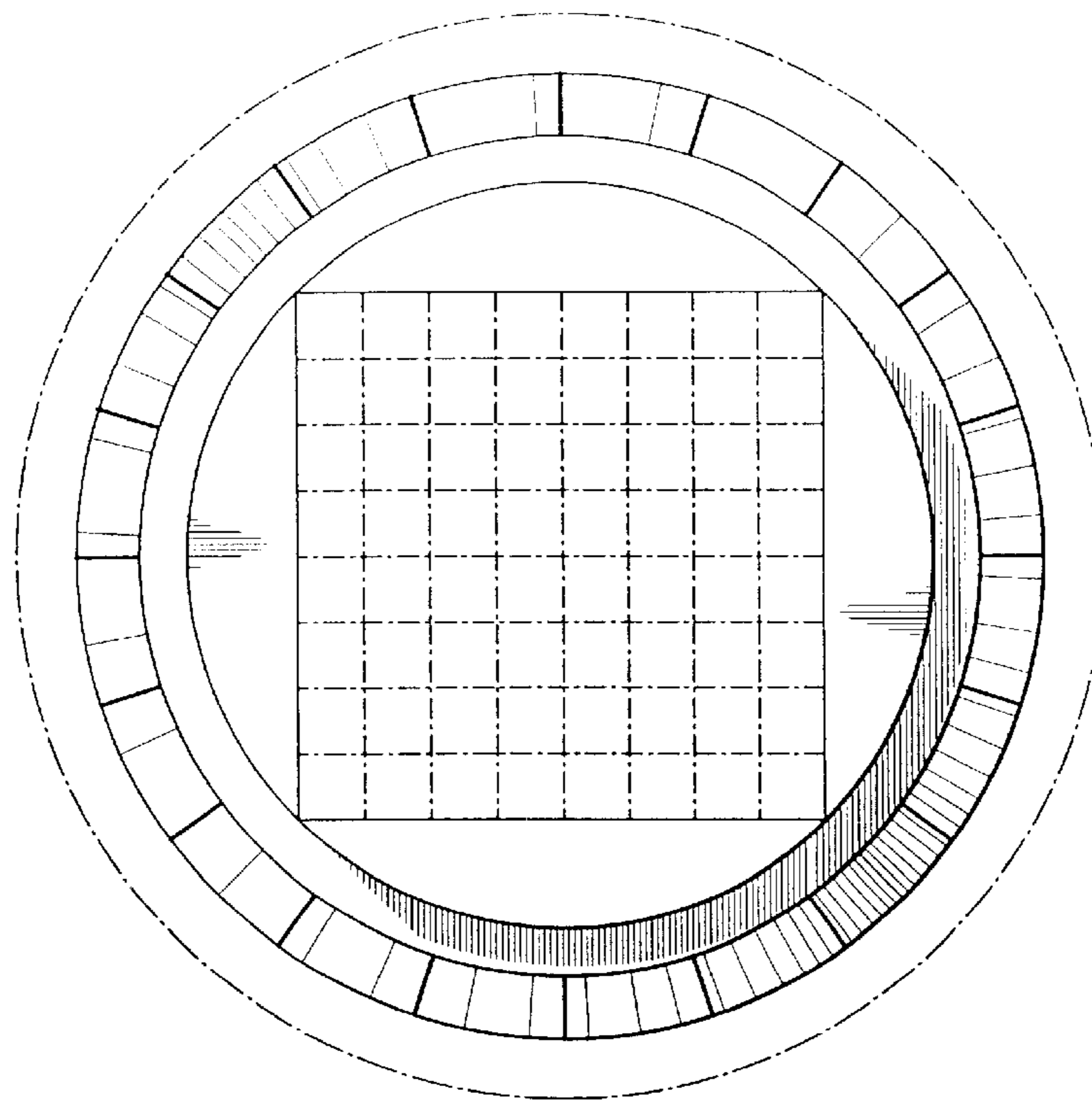


FIG. 3

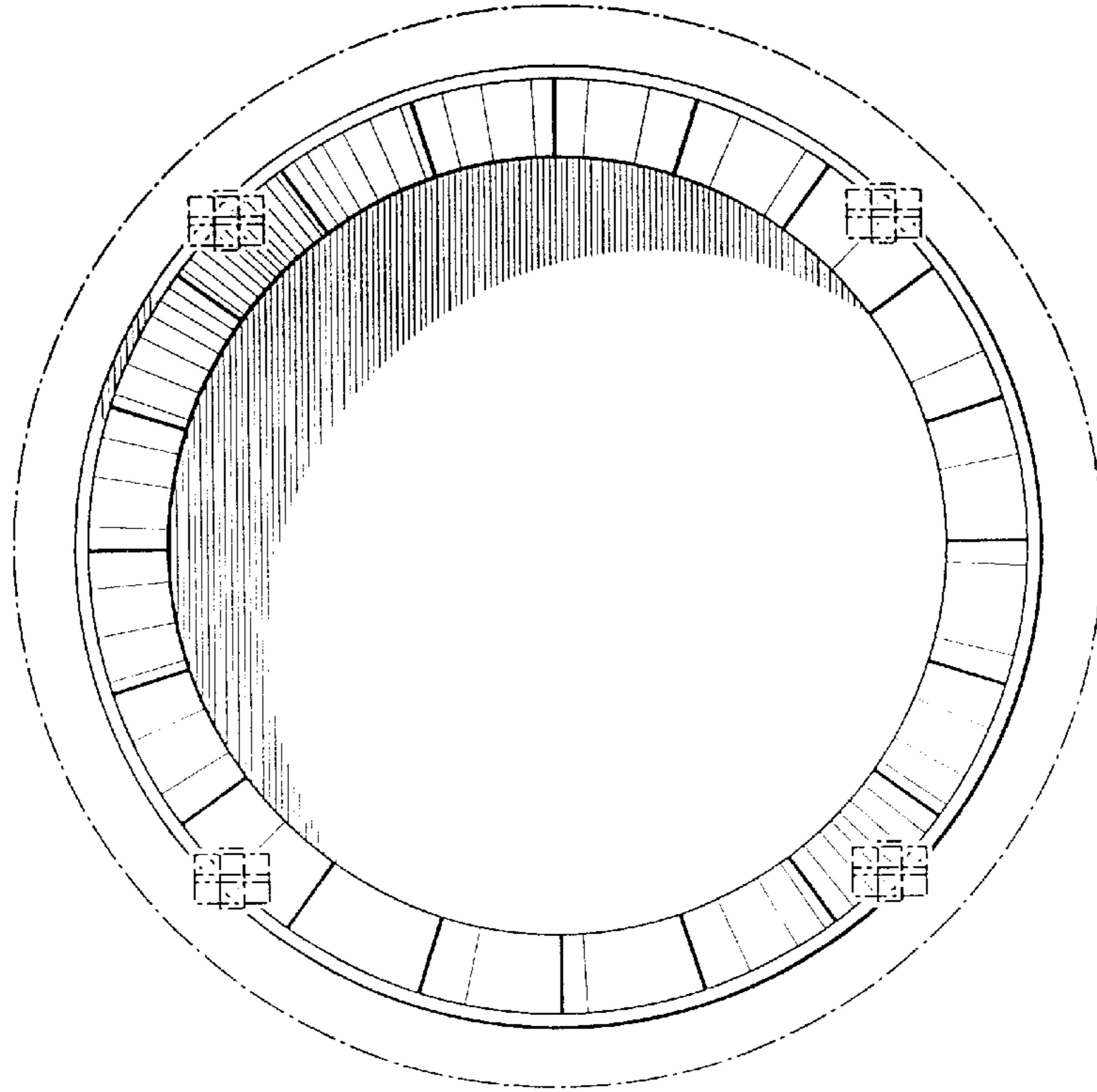


FIG. 4

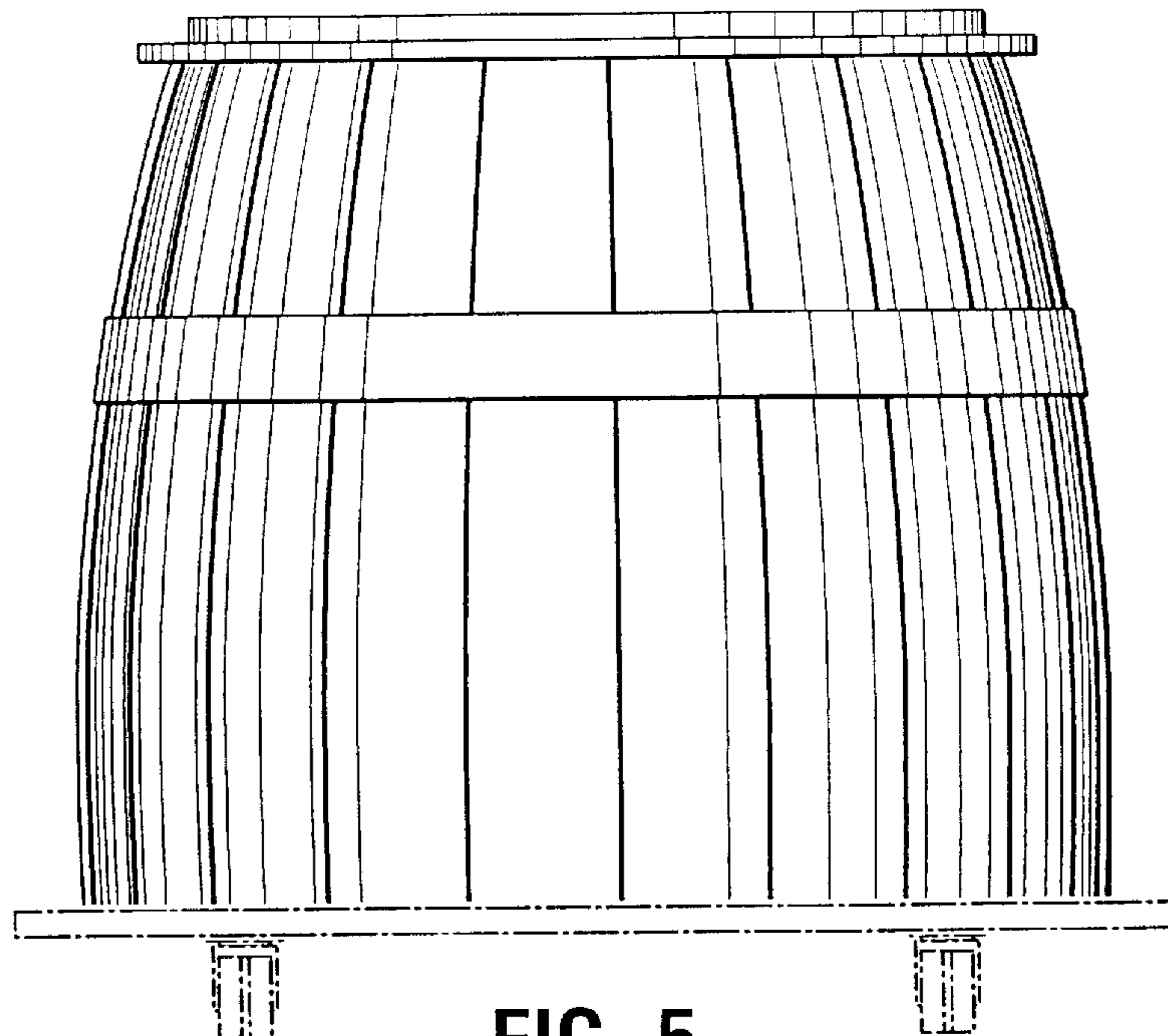


FIG. 5

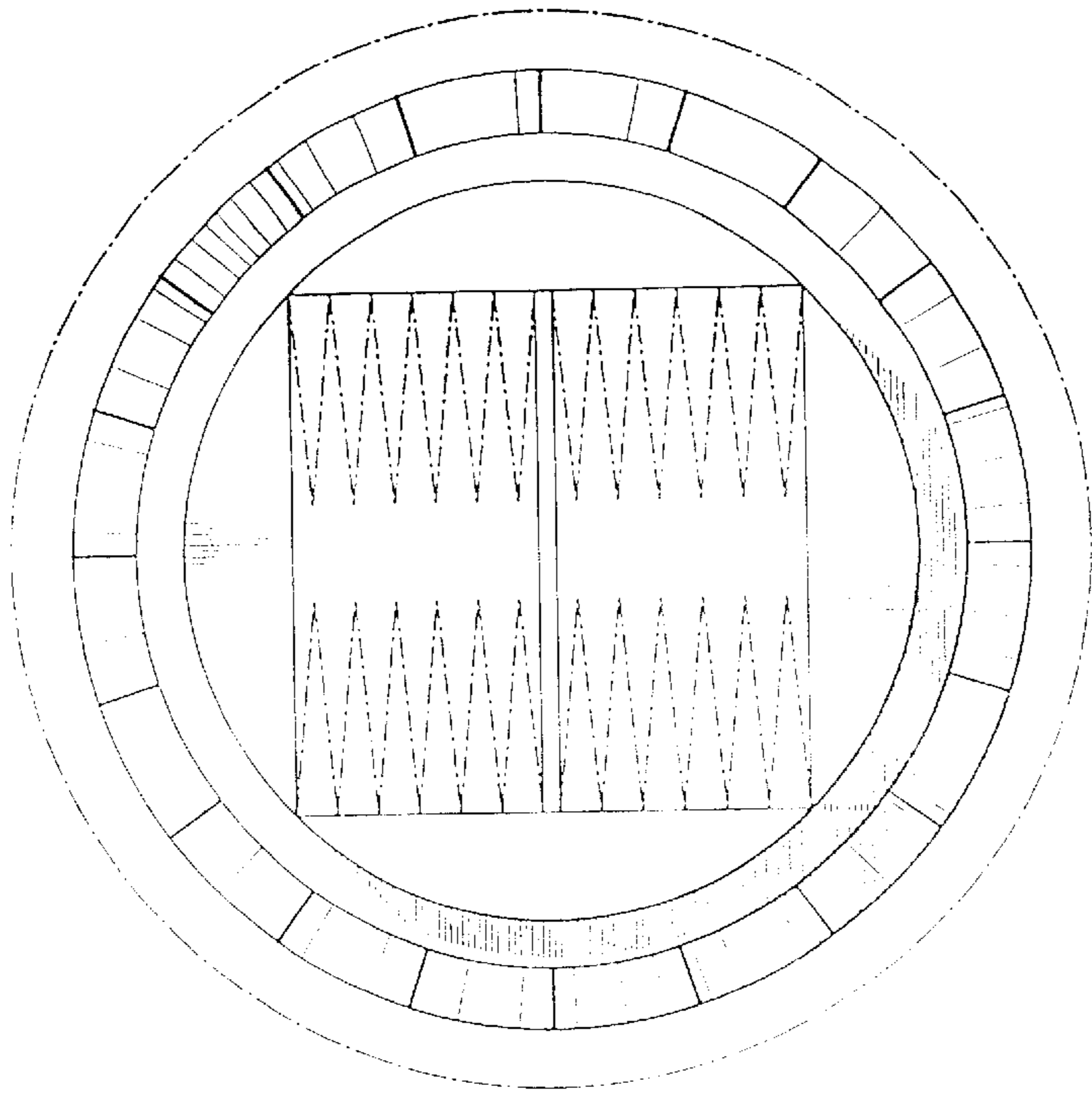
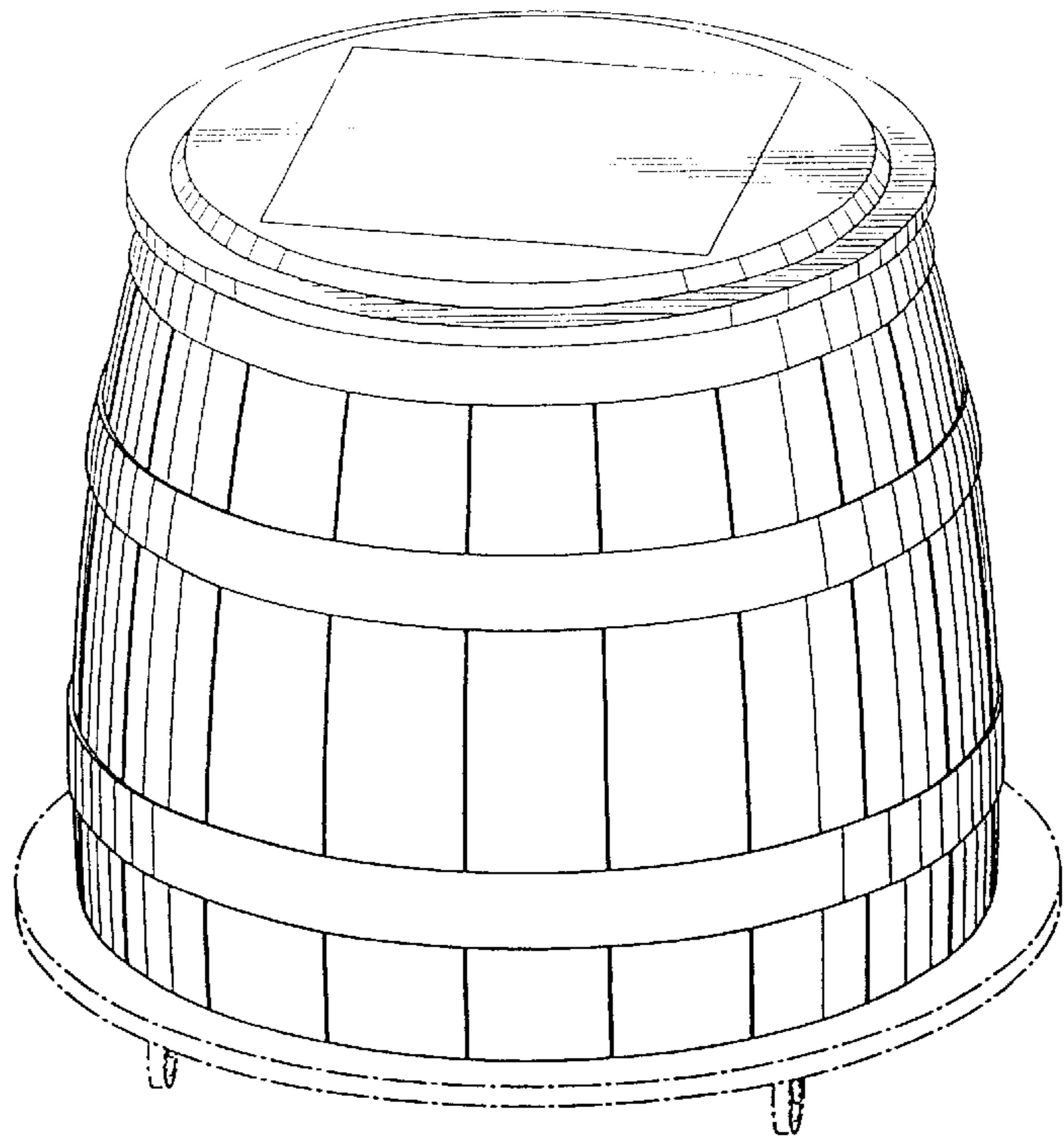


FIG. 6

FIG. 7



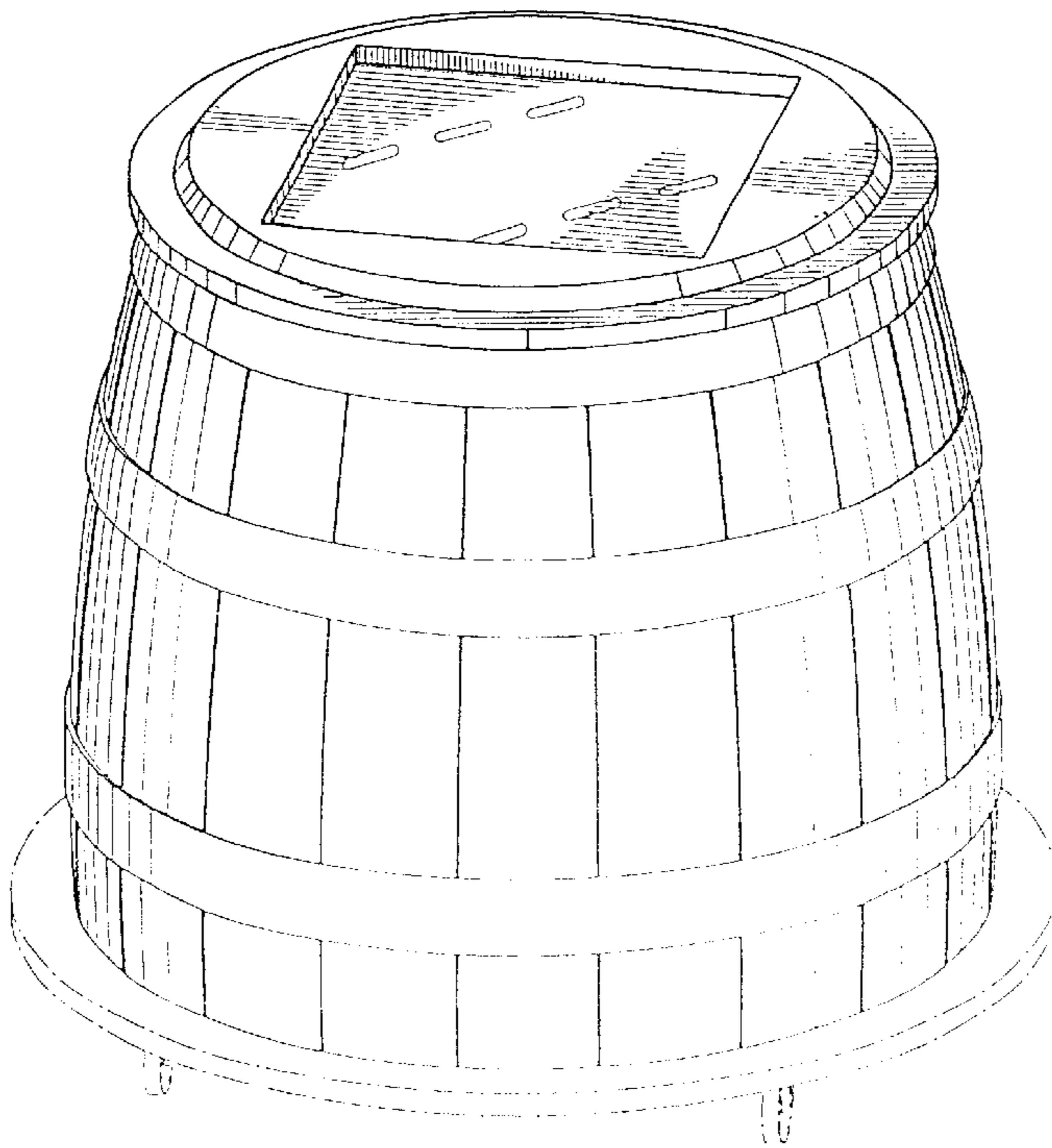


FIG. 8

FIG. 9

