



US00D483199S

(12) **United States Design Patent** (10) **Patent No.:** **US D483,199 S**
Hassett (45) **Date of Patent:** **** Dec. 9, 2003**

- (54) **COMPACT DISC FOLIO**
- (75) Inventor: **Eric S. Hassett**, Golden, CO (US)
- (73) Assignee: **Case Logic, Inc.**, Longmont, CO (US)
- (**) Term: **14 Years**
- (21) Appl. No.: **29/162,666**
- (22) Filed: **Jun. 18, 2002**
- (51) **LOC (7) Cl.** **03-01**
- (52) **U.S. Cl.** **D6/407; D3/299**
- (58) **Field of Search** **D3/201, 218, 290,**
D3/299; D6/634; D12/417; 206/311, 308.1,
312, 425

(56) **References Cited**

U.S. PATENT DOCUMENTS

D269,777 S	*	7/1983	Williams	D13/122
D362,159 S	*	9/1995	Singh	D6/629
5,590,827 A	*	1/1997	Nimpoeno	224/312
D386,146 S	*	11/1997	Fai	D12/417
D389,001 S	*	1/1998	Alves	D6/634
D391,919 S	*	3/1998	Brassard	D12/417
D400,847 S	*	11/1998	Brassard	D12/417
D415,731 S	*	10/1999	Bergh	D12/417
D432,981 S	*	10/2000	Eskandry	D12/417
D435,511 S	*	12/2000	Eskandry	D12/417

OTHER PUBLICATIONS

- Case Logic 2002 Product Catalog, "What's Inside Survives" pp. 8 & 36.
- Case Logic Spring 2000 Product Catalog, pp. 18 & 19.
- Case Logic 2001 Essential Equipment Product Catalog, pp. 12 & 20.
- Case Logic 2000 Essential Equipment Product Catalog, pp. 12 & 17.
- Case Logic 1999 Product Catalog p. 35.
- 1999 CdProjects Catalog pp. 8, 12, 16, & 24.
- 1998 BMI Case It Catalog, #VIS-24.

2001 Case It Catalog, front cover and pp. 3 & 9.
 Fellowes Home & Office Solutions, p. 116.
 CdProjects Millenium² Catalog, pp. 4, 5, 10, 19, 24 & 25.
 On the Road Visor CD Organizer.

* cited by examiner

Primary Examiner—Philip S. Hyder

(74) *Attorney, Agent, or Firm*—Sheridan Ross P.C.

(57) **CLAIM**

The ornamental design for a compact disc folio, as shown and described.

DESCRIPTION

FIG. 1 is a front perspective view of my compact disc folio shown in a partially open position, the broken lines representing environment and forming no part of the claimed design;

FIG. 2 is a front elevation view of the invention shown in FIG. 1 in an open position, the broken lines representing environment and forming no part of the claimed design;

FIG. 3 is a rear elevation view of the invention shown in FIG. 2, the broken lines representing environment and forming no part of the claimed design;

FIG. 4 is a front perspective view of the invention shown in FIG. 1, shown in a closed position;

FIG. 5 is a front elevation view of the invention shown in FIG. 4;

FIG. 6 is a rear elevation view of the invention shown in FIG. 4;

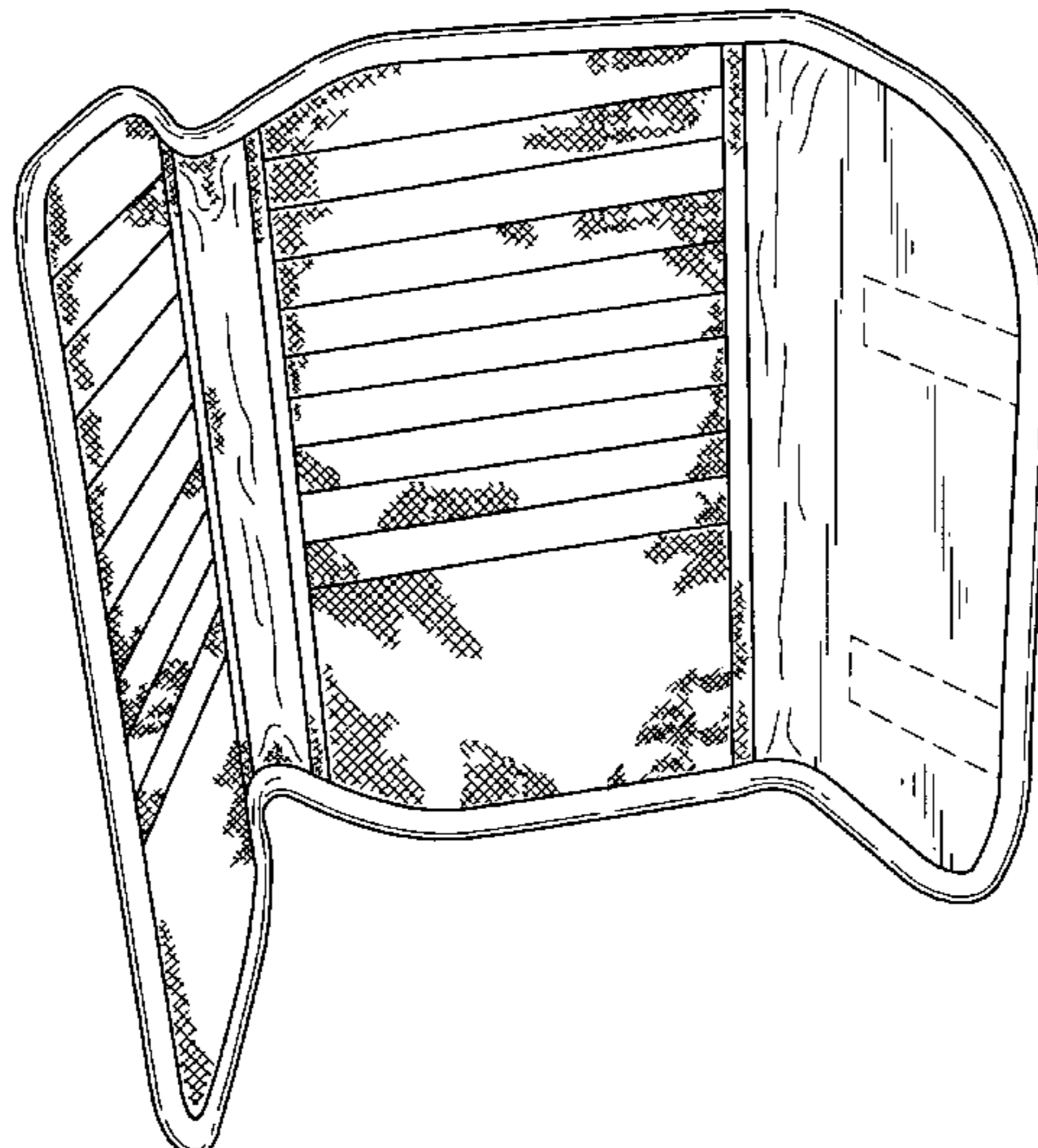
FIG. 7 is a right elevation view of the invention shown in FIG. 4;

FIG. 8 is a left elevation view of the invention shown in FIG. 4;

FIG. 9 is a top plan view of the invention shown in FIG. 4; and,

FIG. 10 is a bottom plan view of the invention shown in FIG. 4.

1 Claim, 8 Drawing Sheets



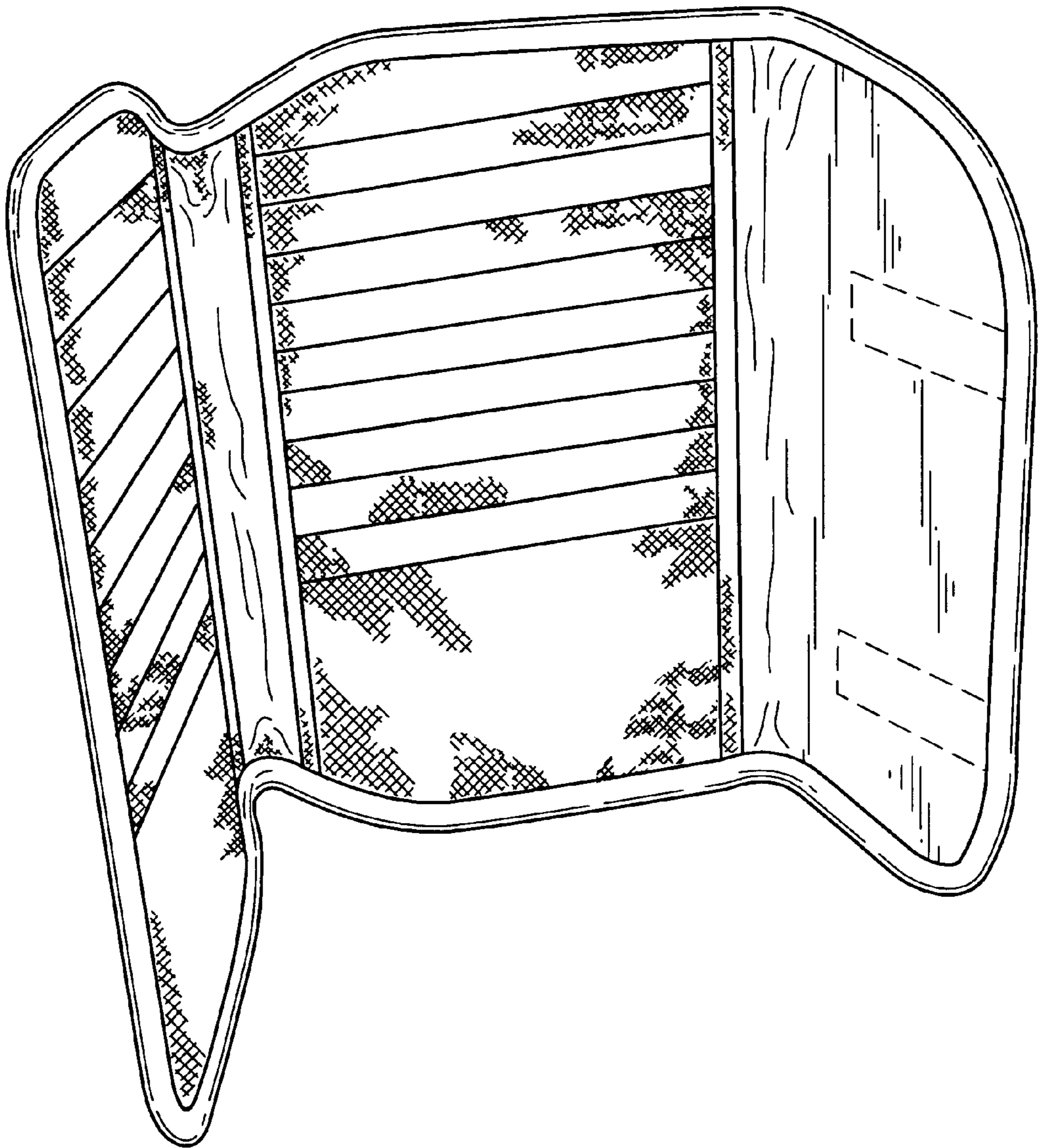


FIG.1

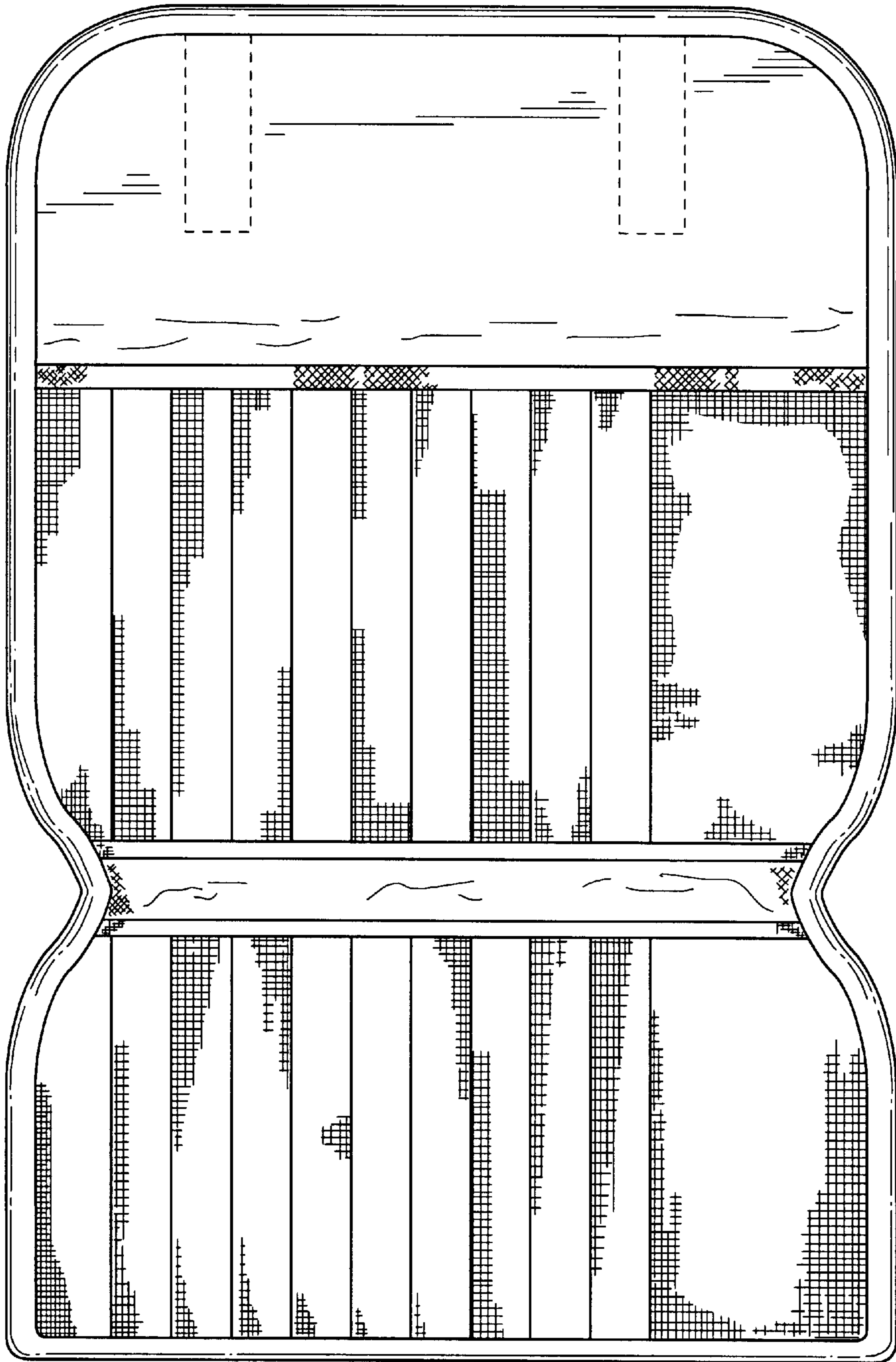


FIG.2

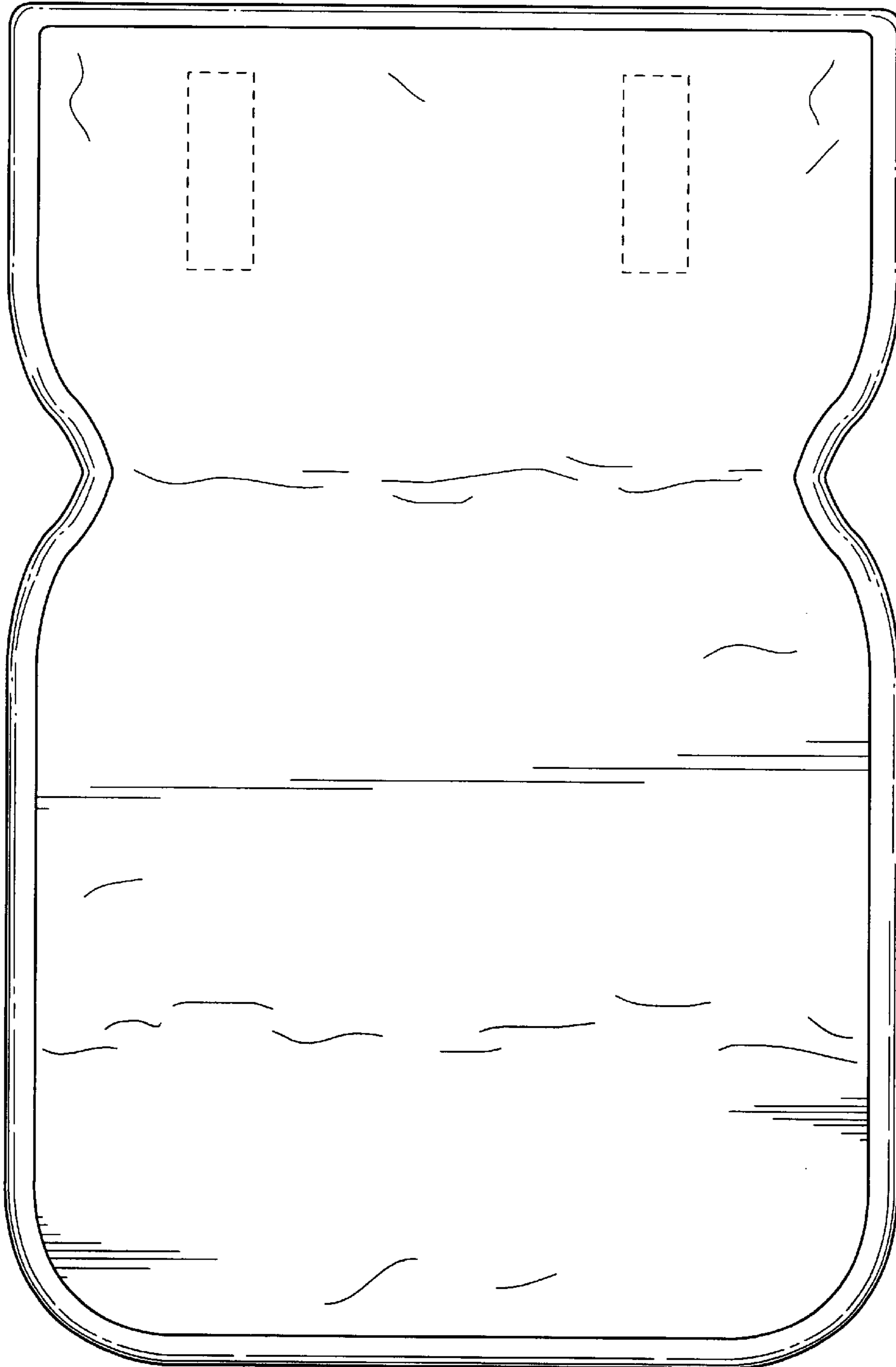


FIG.3

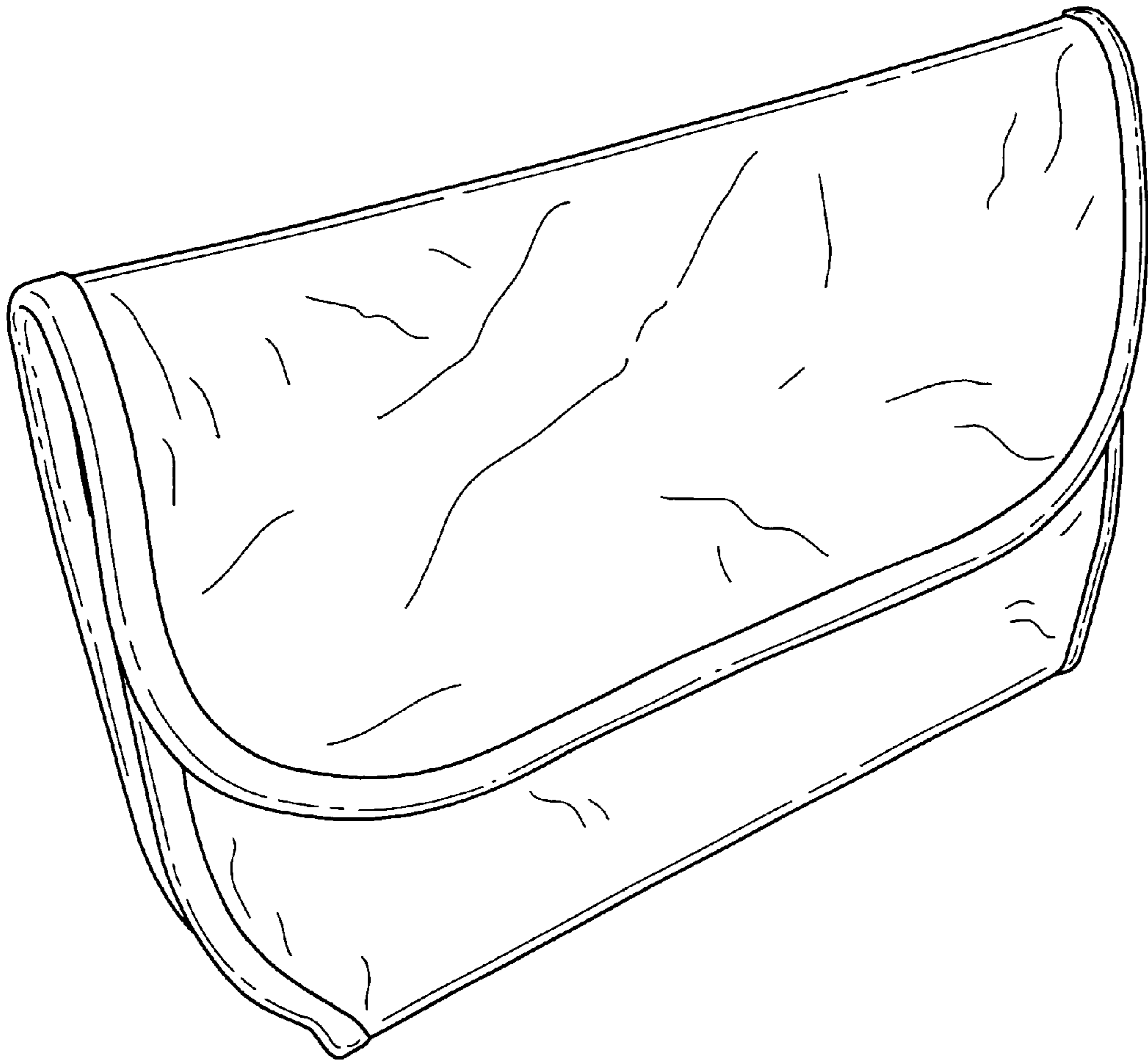


FIG.4

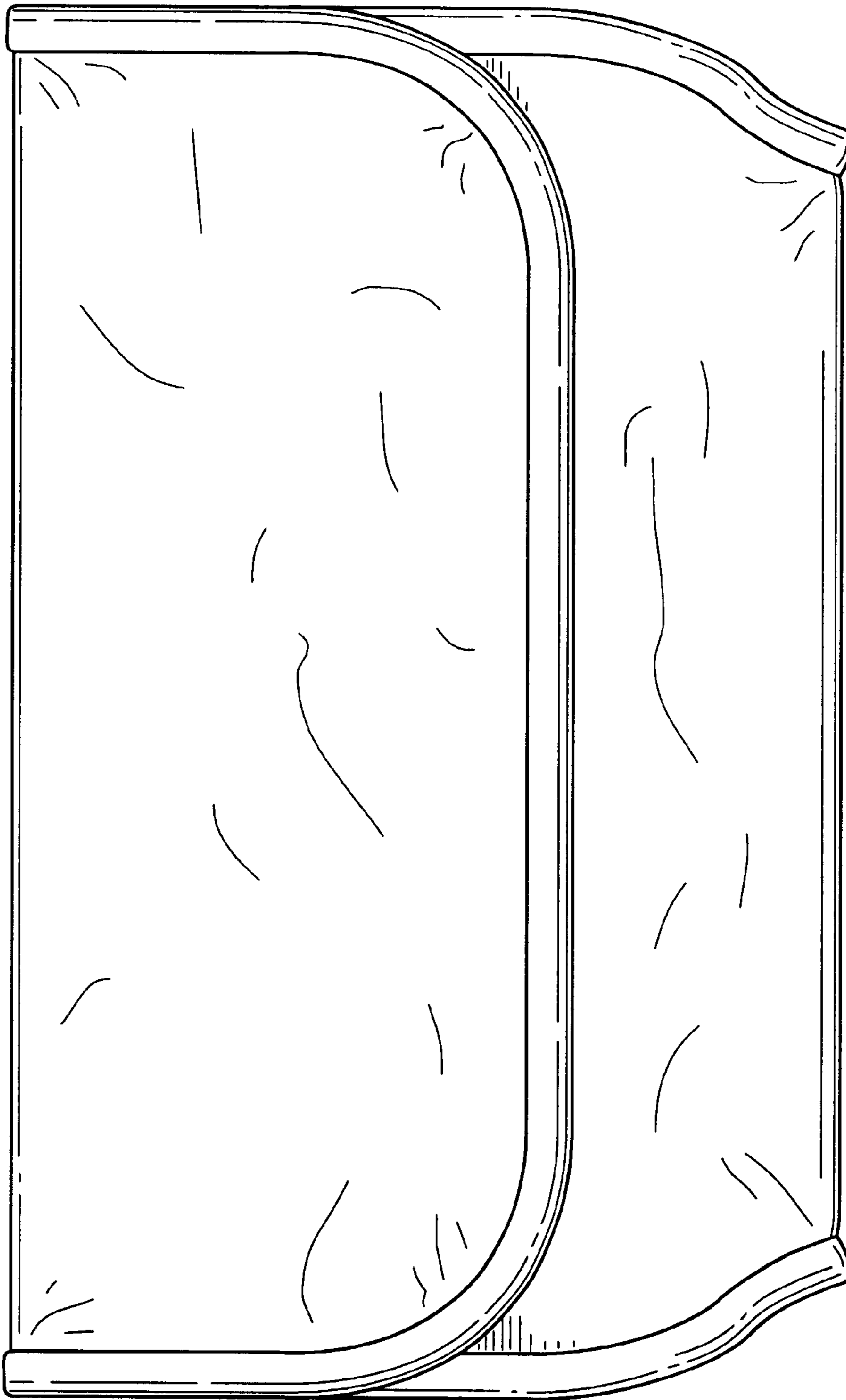


FIG.5

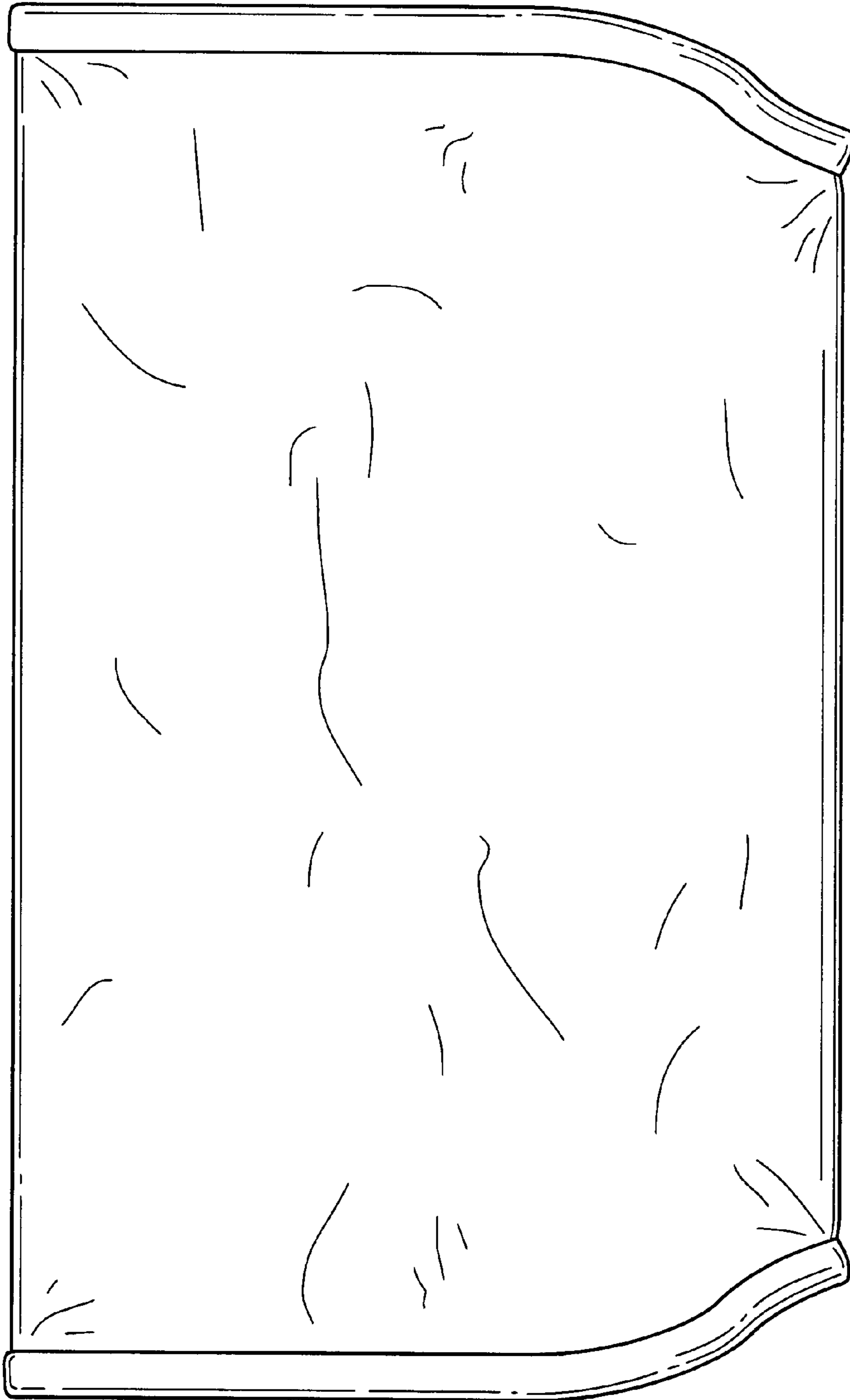


FIG.6



FIG. 7

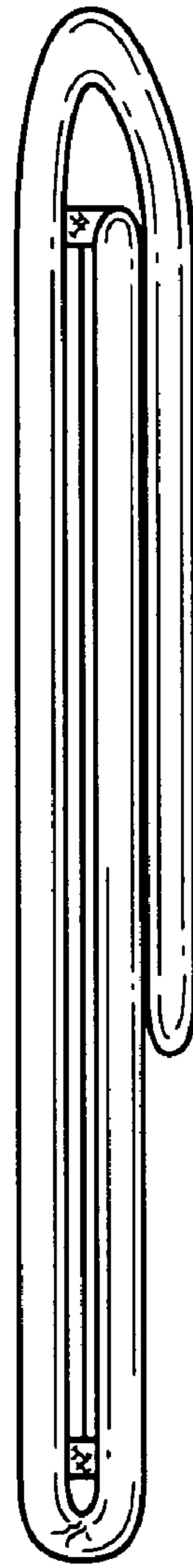


FIG. 8

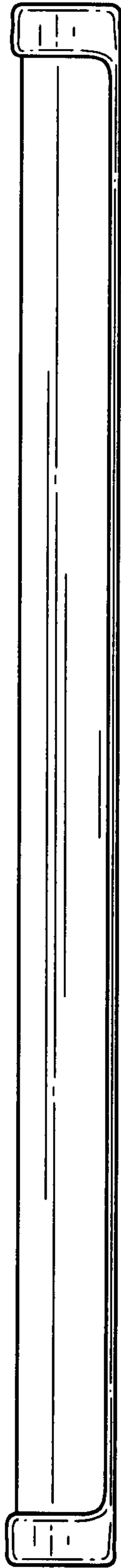


FIG. 9

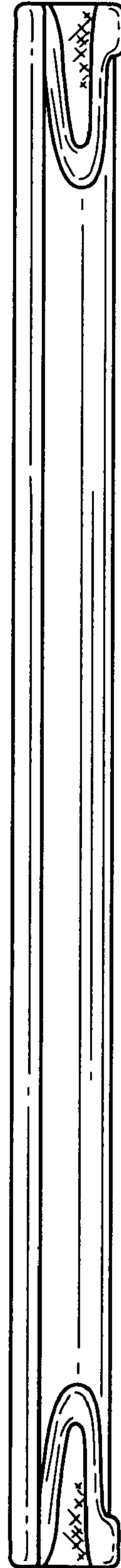


FIG. 10