



US00D483193S

(12) **United States Design Patent** (10) **Patent No.:** **US D483,193 S**
Goodworth (45) **Date of Patent:** **** Dec. 9, 2003**

(54) **METAL WIRE CHAIR**

FOREIGN PATENT DOCUMENTS

(75) Inventor: **William H. Goodworth**, Davenport, IA
(US)

BE 524012 11/1953
CA 1184108 3/1985
DE 626080 8/1936

(73) Assignee: **HON Technology Inc.**, Muscatine, IA
(US)

OTHER PUBLICATIONS

(**) Term: **14 Years**

www.steelcase.com, Jul. 18, 2001, 1 page.
www.troelsgrum-schwensen.com, Jul. 16, 2001, 2 pages.
www.keilhauer.com, Jul. 18, 2001, 1 page.
www.fixturesfurniture.com, Aug. 8, 2001, 2 pages.
www.virco.com, Jul. 16, 2001, 1 page.
www.virco.com, Aug. 8, 2001, 1 page.
www.visualibrary.com, Feb. 27, 2002, 1 page.
www.troelsgrum-schwensen.com, Mar. 6, 2002, 1 page.
www.tribu-design.com, Aug. 13, 2001, 1 page.
www.plantationpatterns.com, Oct. 1, 2001, 2 pages.
www.unitedchair.com, 7/01, 1 page.
www.meritalia.it.it/sedie/eng, Aug. 16, 2001, 1 page.
www.troelsgrum-schwensen.com, Jul. 24, 2001, 1 page.
www.scottriceok.com, Jul. 16, 2001, 1 page.
www.psgerry.com, Sep. 27, 2001, 2 pages.

(21) Appl. No.: **29/172,915**

(22) Filed: **Dec. 18, 2002**

(51) **LOC (7) Cl.** **06-01**

(52) **U.S. Cl.** **D6/366**

(58) **Field of Search** D6/334, 364, 365,
D6/366, 367, 500, 501, 502; 297/411.2,
411.29

(56) **References Cited**

U.S. PATENT DOCUMENTS

1,950,226 A 3/1934 Cable
2,602,489 A 7/1952 Holten
3,475,054 A 10/1969 Flint
D273,350 S * 4/1984 Cafiero D6/366
D279,246 S 6/1985 Murry
D303,597 S 9/1989 Kaminski
D303,598 S 9/1989 Tornero
D366,089 S 1/1996 Ackerson, Jr.
5,697,673 A 12/1997 Favaretto
D400,018 S * 10/1998 James et al. D6/366
D401,453 S 11/1998 Holt
D408,161 S 4/1999 Caruso
D435,746 S 1/2001 Diffrient
D438,392 S 3/2001 Lucci et al.
D439,452 S 3/2001 Turner et al.
D440,797 S 4/2001 Norman
D447,351 S 9/2001 Sato
D451,721 S * 12/2001 Grove D6/500
D453,633 S 2/2002 Diffrient
D456,627 S * 5/2002 Pearce et al. D6/366
D469,265 S * 1/2003 Holbrook et al. D6/366
2002/0005658 A1 1/2002 Piretti

* cited by examiner

Primary Examiner—Gary D. Watson
(74) *Attorney, Agent, or Firm*—Ronald A. Sandler; Joseph H. Golant; Jones Day

(57) **CLAIM**

The ornamental design for a metal wire chair, as shown and described.

DESCRIPTION

FIG. 1 is a right front isometric view of the metal wire chair showing the new design;
FIG. 2 is a front view thereof;
FIG. 3 is a rear view thereof;
FIG. 4 is a right side elevation view thereof;
FIG. 5 is a left side elevation view thereof;
FIG. 6 is a bottom plan view thereof; and,
FIG. 7 is top plan view thereof.

1 Claim, 4 Drawing Sheets



Fig. 1



Fig. 2

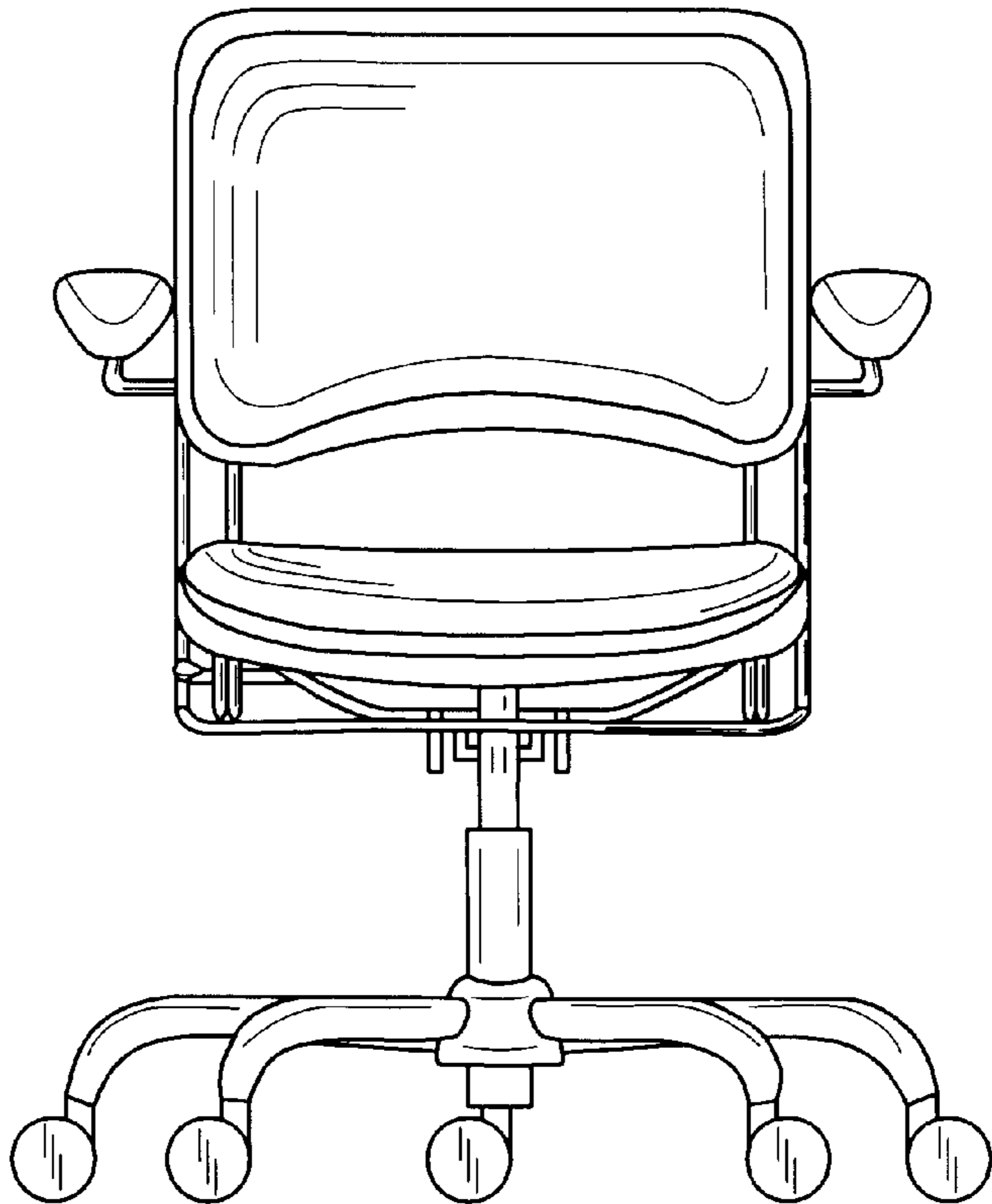


Fig. 3

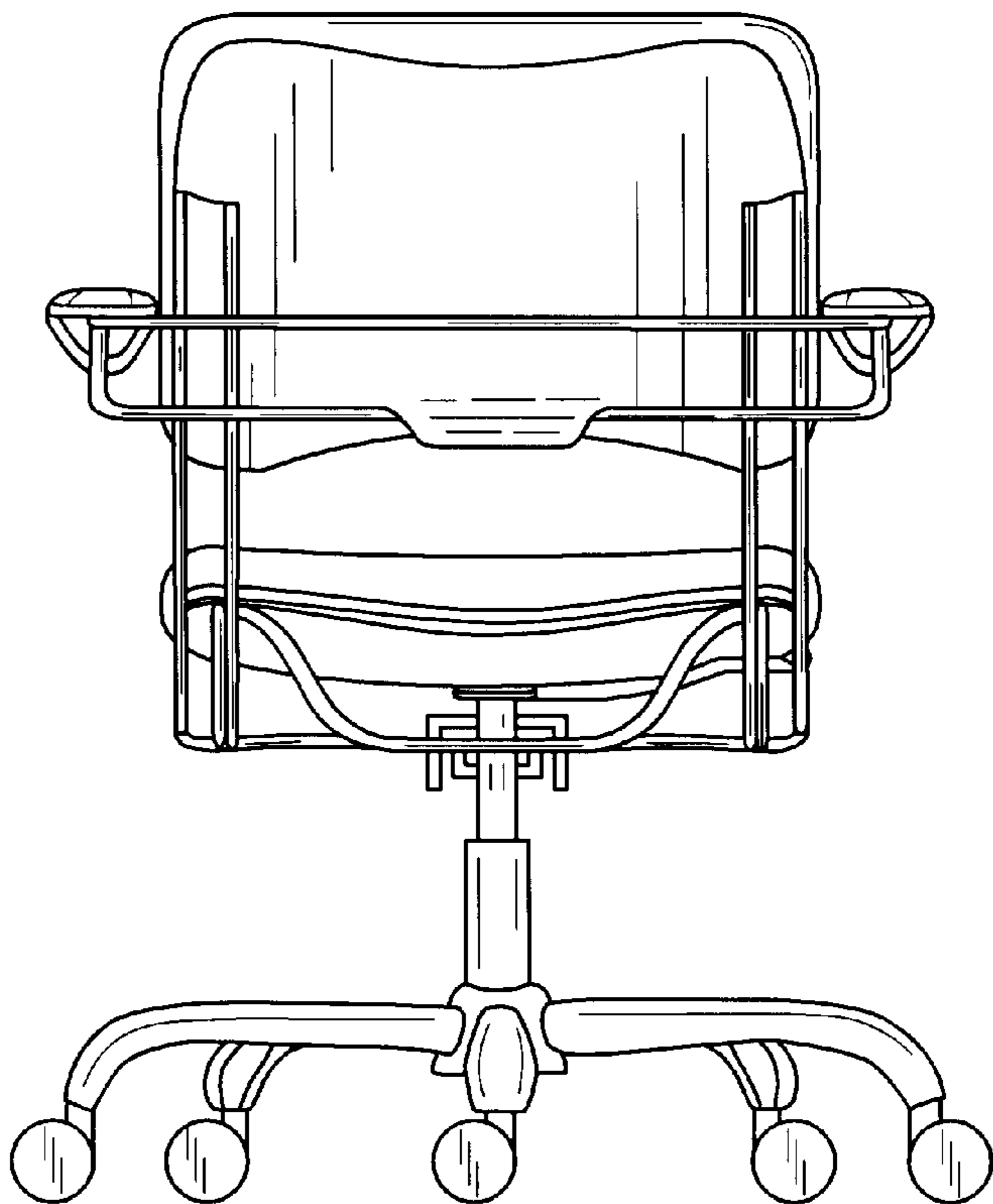


Fig. 4

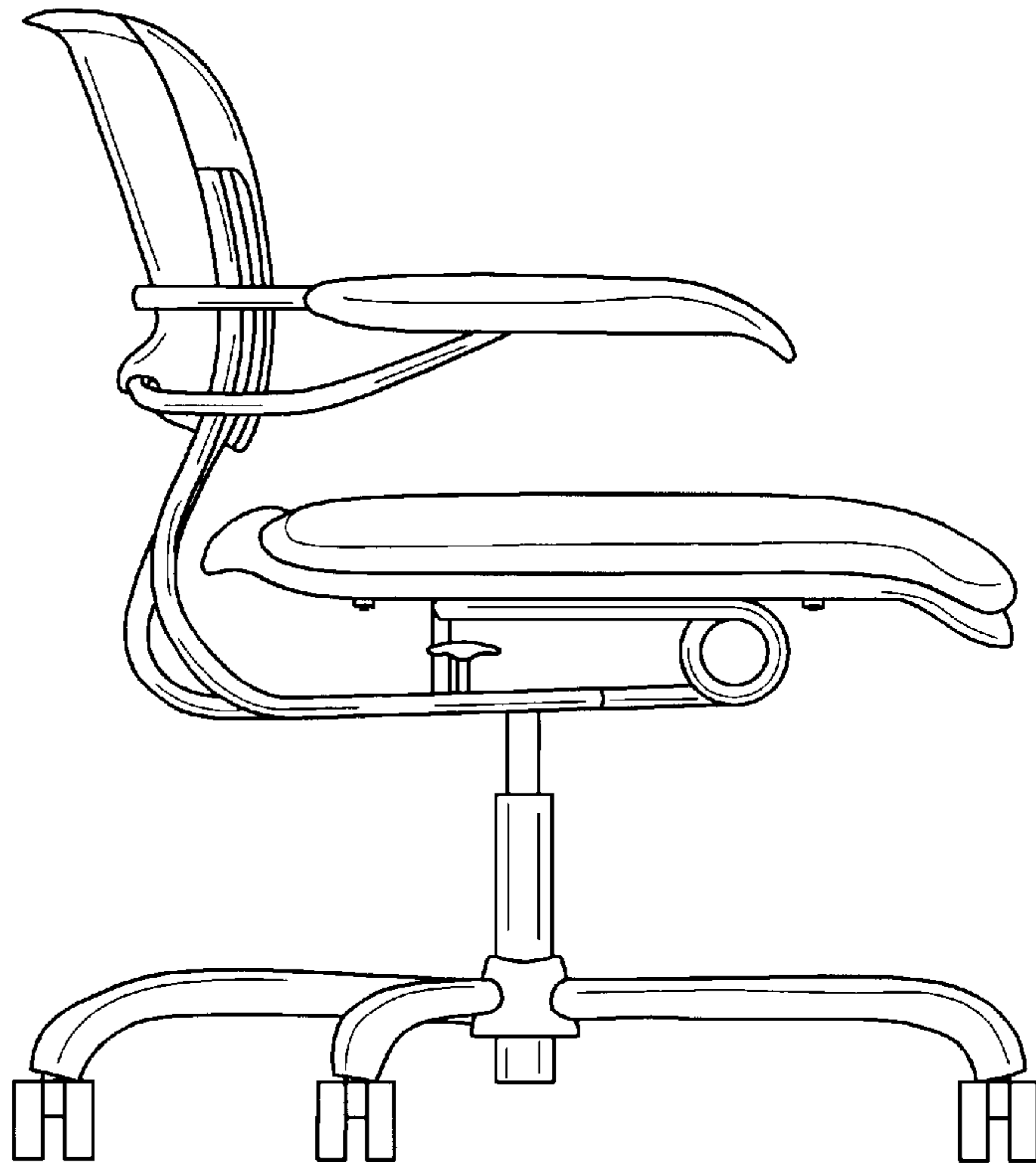


Fig. 5

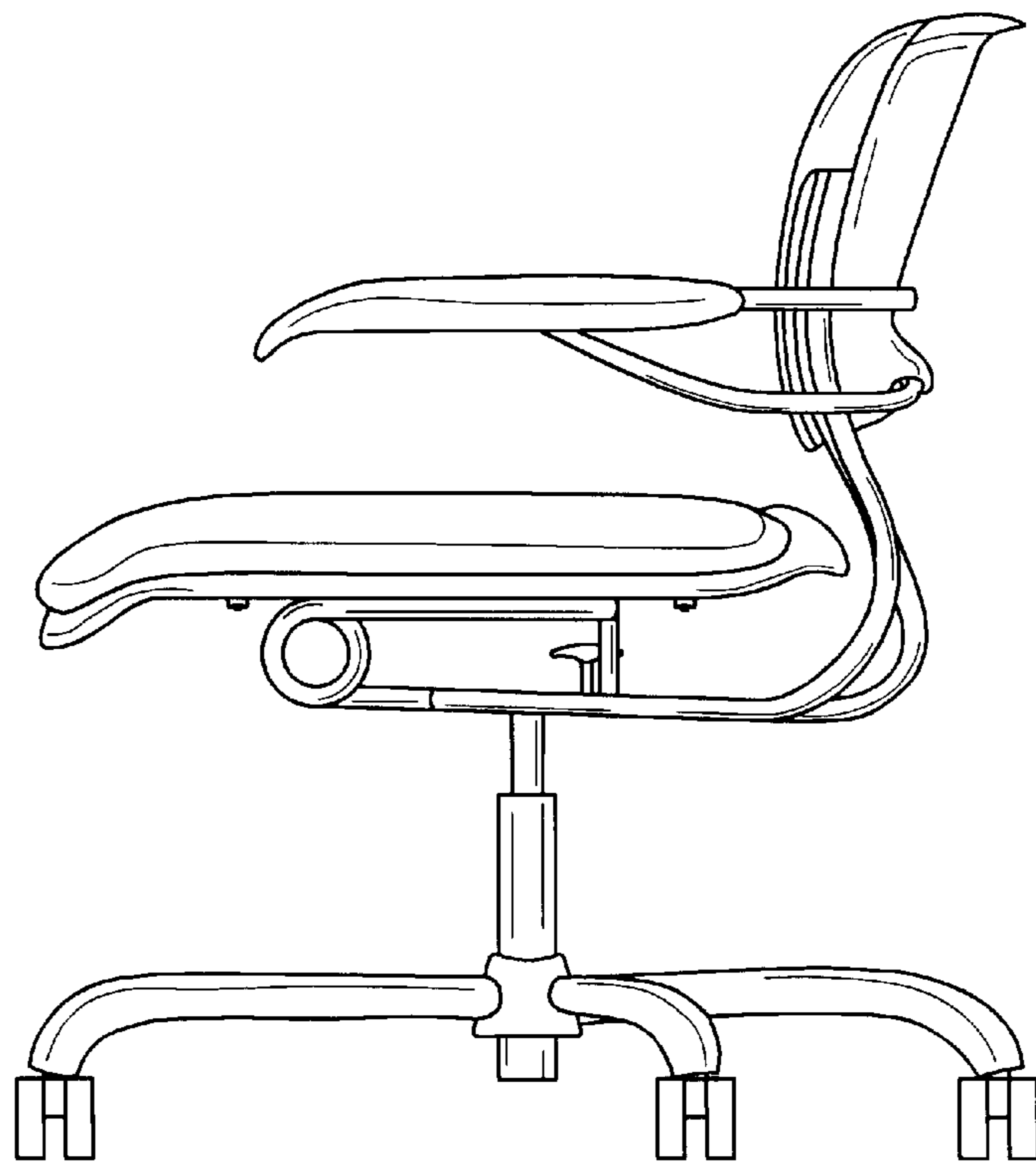


Fig. 6

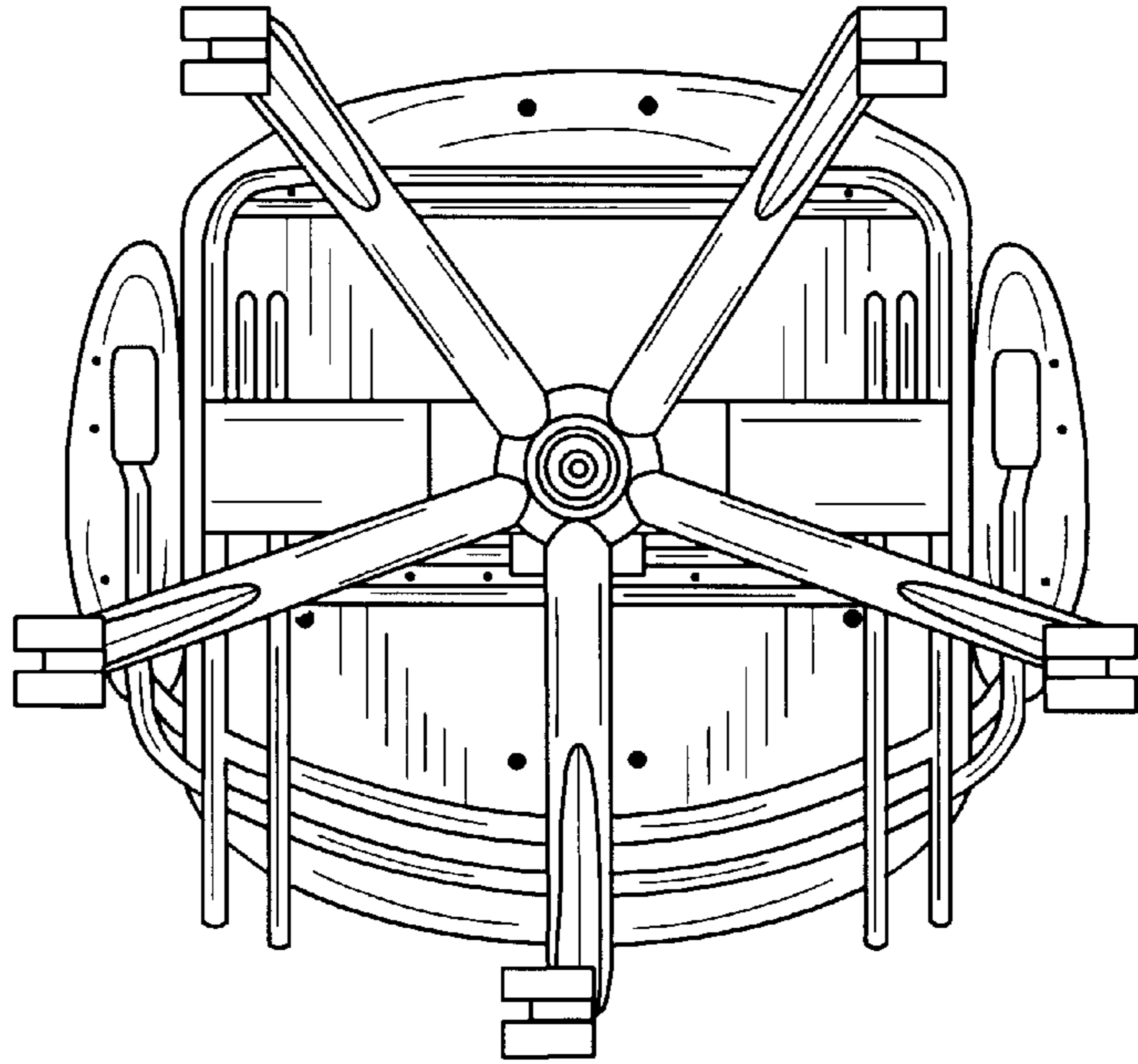


Fig. 7

