



US00D483191S

(12) **United States Design Patent**
Murphy

(10) **Patent No.:** **US D483,191 S**

(45) **Date of Patent:** **** Dec. 9, 2003**

(54) **VEHICLE SEAT**

(75) Inventor: **Matthew T. Murphy**, Elkhorn, WI
(US)

(73) Assignee: **Milsco Manufacturing**, Milwaukee, WI
(US)

(**) Term: **14 Years**

(21) Appl. No.: **29/179,705**

(22) Filed: **Apr. 14, 2003**

(51) **LOC (7) Cl.** **06-01**

(52) **U.S. Cl.** **D6/356**

(58) **Field of Search** D6/334, 335, 336,
D6/356, 366, 367, 368, 374, 375, 500-502;
297/284.1, 452.1, 452.12, 452.14, 452.21,
452.29, 452.3, 239

(56) **References Cited**

U.S. PATENT DOCUMENTS

635,234 A	10/1899	Chance	D6/354
1,256,453 A	2/1918	Evans	297/219
2,017,178 A	10/1935	Braukhof	297/219
3,220,771 A	11/1965	Doss, Sr.	297/411
3,313,571 A	* 4/1967	Ferrara	297/239
D216,576 S	2/1970	Hill	D6/354
D218,028 S	* 7/1970	Lohr	D6/356
3,586,370 A	* 6/1971	Barecki et al.	297/452.12
4,045,080 A	* 8/1977	Barecki et al.	297/452.14
D249,102 S	8/1978	Pelly	D6/48
D261,450 S	10/1981	Jenkins	D6/354
D293,394 S	12/1987	Holcomb	D6/354
D297,995 S	* 10/1988	Stulik	D6/501
D326,960 S	6/1992	Stulik	D6/356
D330,118 S	10/1992	Lanuis et al.	D6/356
D332,181 S	1/1993	Sacco et al.	D6/356
D356,694 S	3/1995	Armbrecht	D6/356
D358,262 S	5/1995	Smoczynski	D6/356
D362,126 S	9/1995	Carter	D6/356
D388,966 S	1/1998	Beermann et al.	D6/356
D391,087 S	2/1998	Sacco et al.	D6/356
D396,152 S	7/1998	Beermann et al.	D6/356
D411,377 S	6/1999	Sacco et al.	D6/356
D411,690 S	6/1999	Kneip et al.	D6/356
D426,392 S	6/2000	Ott et al.	D6/356

D428,719 S	8/2000	Fick et al.	D6/356
D442,376 S	5/2001	Norman	D6/356
D467,088 S	* 12/2002	Haney et al.	D6/356

OTHER PUBLICATIONS

- XB-110 All-Purpose Seat specifications, 1996.
- XB-150 All-Purpose Seat specifications, 1996.
- SB-180 All-Purpose Seat specifications, 1996.
- XR-210 All-Purpose Seat specifications, 1996.
- Product No. D1200-1 Style specifications, 1979.
- XS-100 Heavy-Duty Bucket Seat specifications, 1958.
- XS-200 Bucket Seat specifications, 1972.
- XE-100 Folding Seat specifications, 1972.
- CR-100 Low-Profile Suspension Seat specifications, 1996.
- CR-200 Low-Profile Suspension Seat with Height Adjust specifications, 1998.
- CA100 Back Mounted Suspension & Seat specifications, 1991.
- CA-300 Suspension Seat specifications, 1998.
- CA-150 Suspension Seat specifications, 1994.
- XL-100 Deluxe Adjustable Seat specifications, 1998.

* cited by examiner

Primary Examiner—Doris V. Coles

Assistant Examiner—Mimosa De

(74) *Attorney, Agent, or Firm*—Boyle Fredrickson
Newholm Stein & Gratz S.C.

(57) **CLAIM**

The ornamental design for a vehicle seat, as shown and described.

DESCRIPTION

FIG. 1 is a perspective view of a vehicle seat in accordance with the present invention;
 FIG. 2 is a right side plan view of the vehicle seat;
 FIG. 3 is a front plan view of the vehicle seat;
 FIG. 4 is a top plan view of the vehicle seat;
 FIG. 5 is a bottom plan view of the vehicle seat; and,
 FIG. 6 is a rear plan view of the vehicle seat.
 The left side plan view comprises a mirror image of the right side plan view depicted in FIG. 2.
 The broken lines show in the drawing are for illustrative purposes only and form no part of the claimed design.

1 Claim, 3 Drawing Sheets

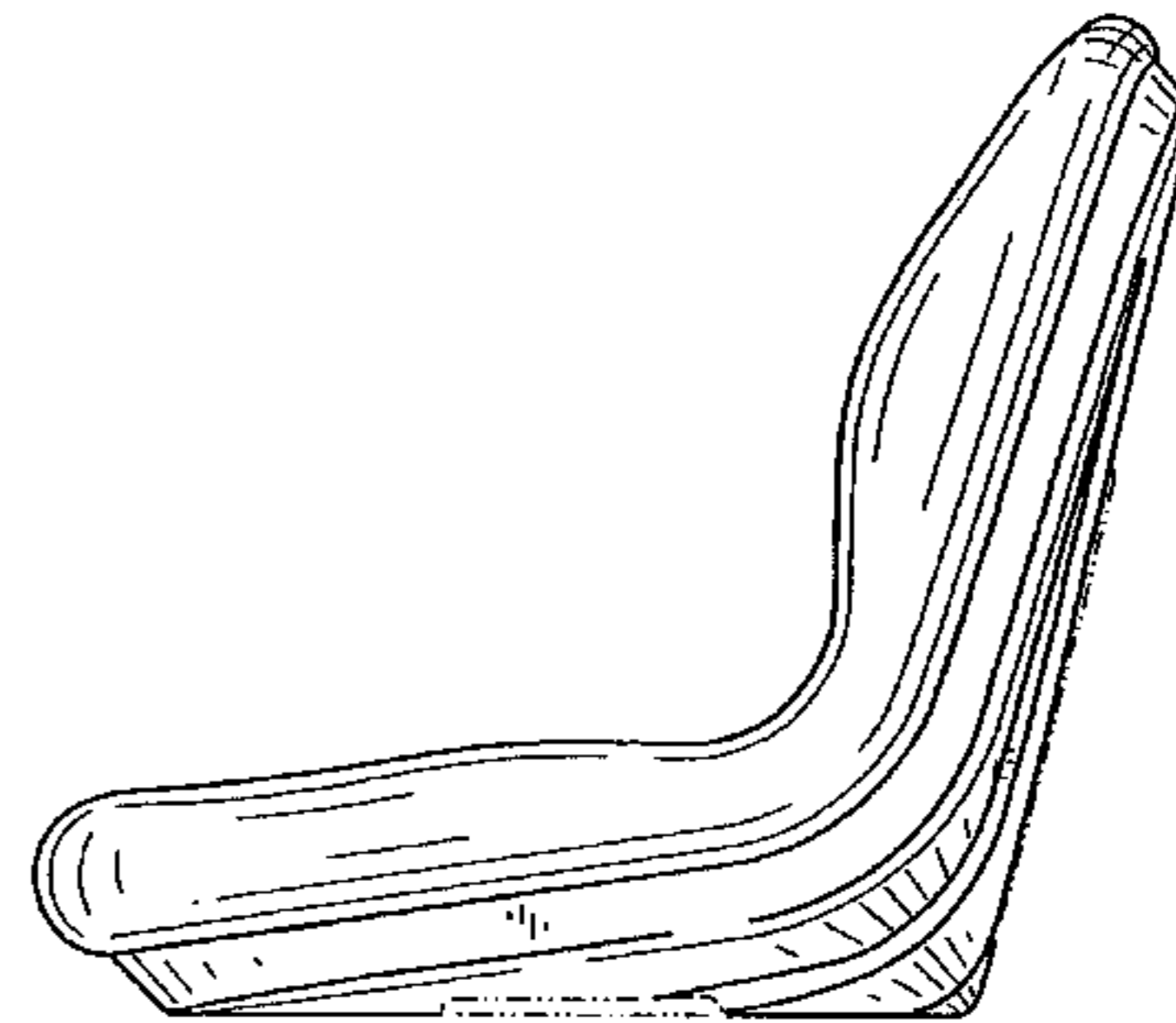
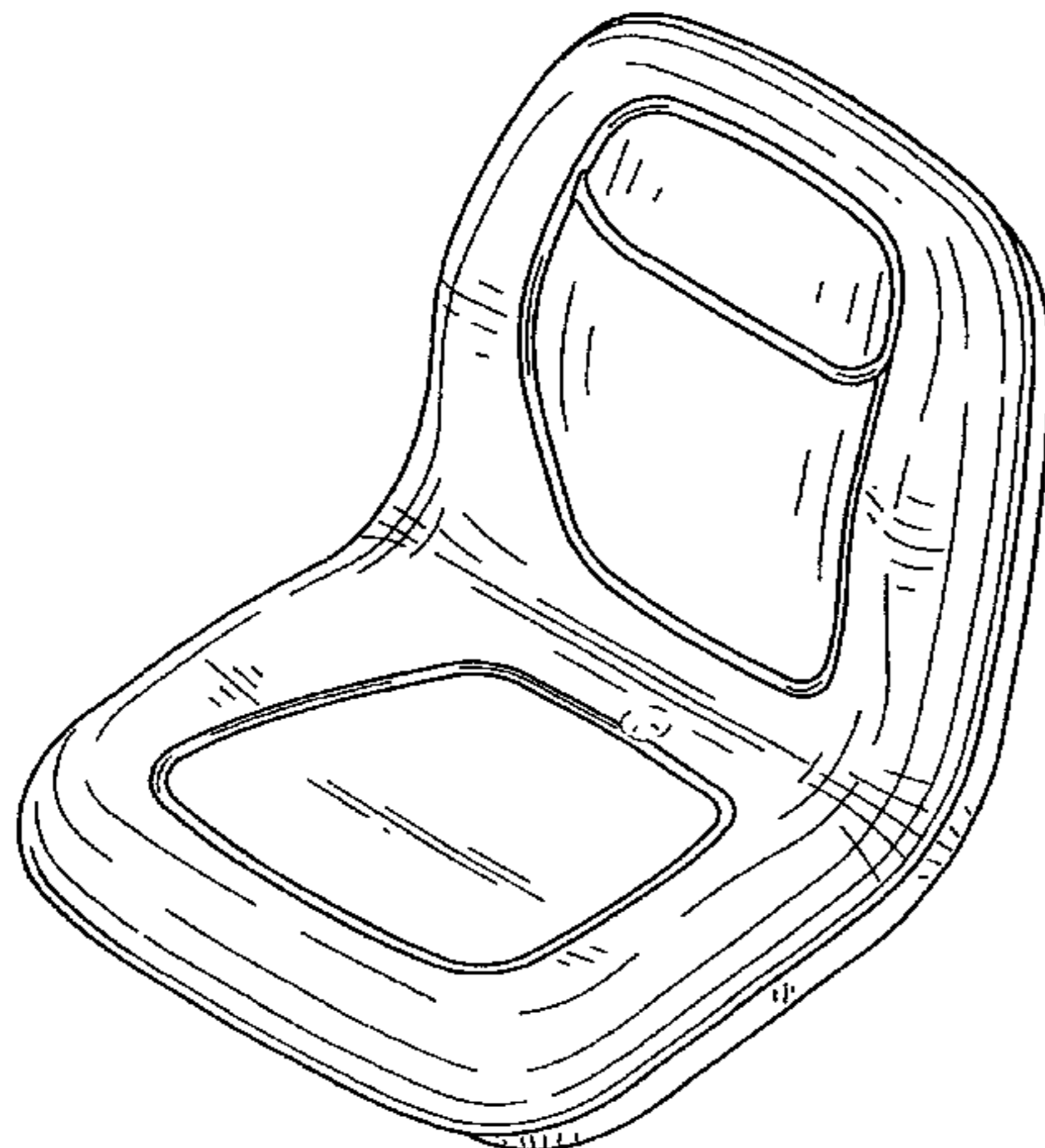


FIG. 1

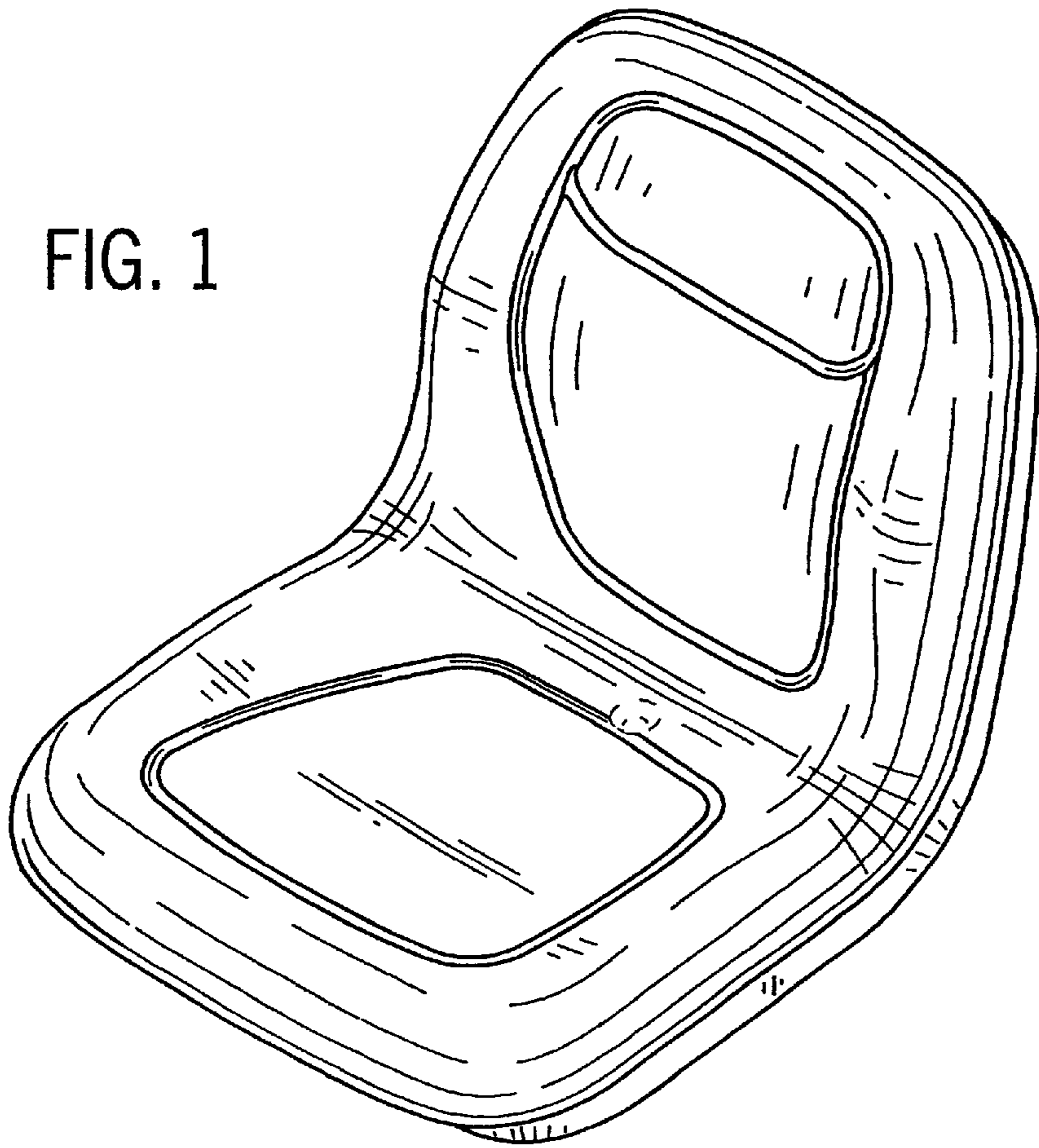
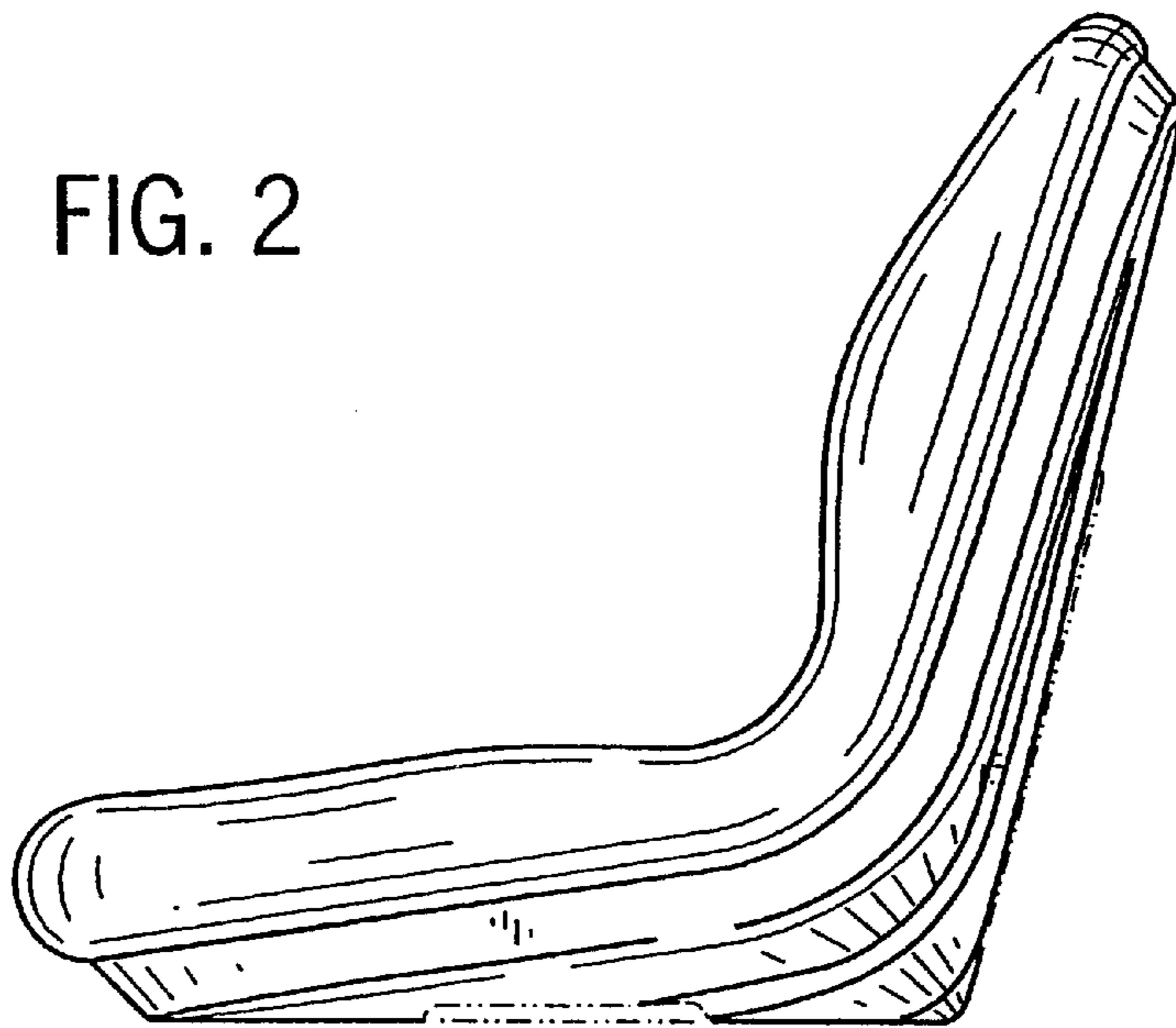


FIG. 2



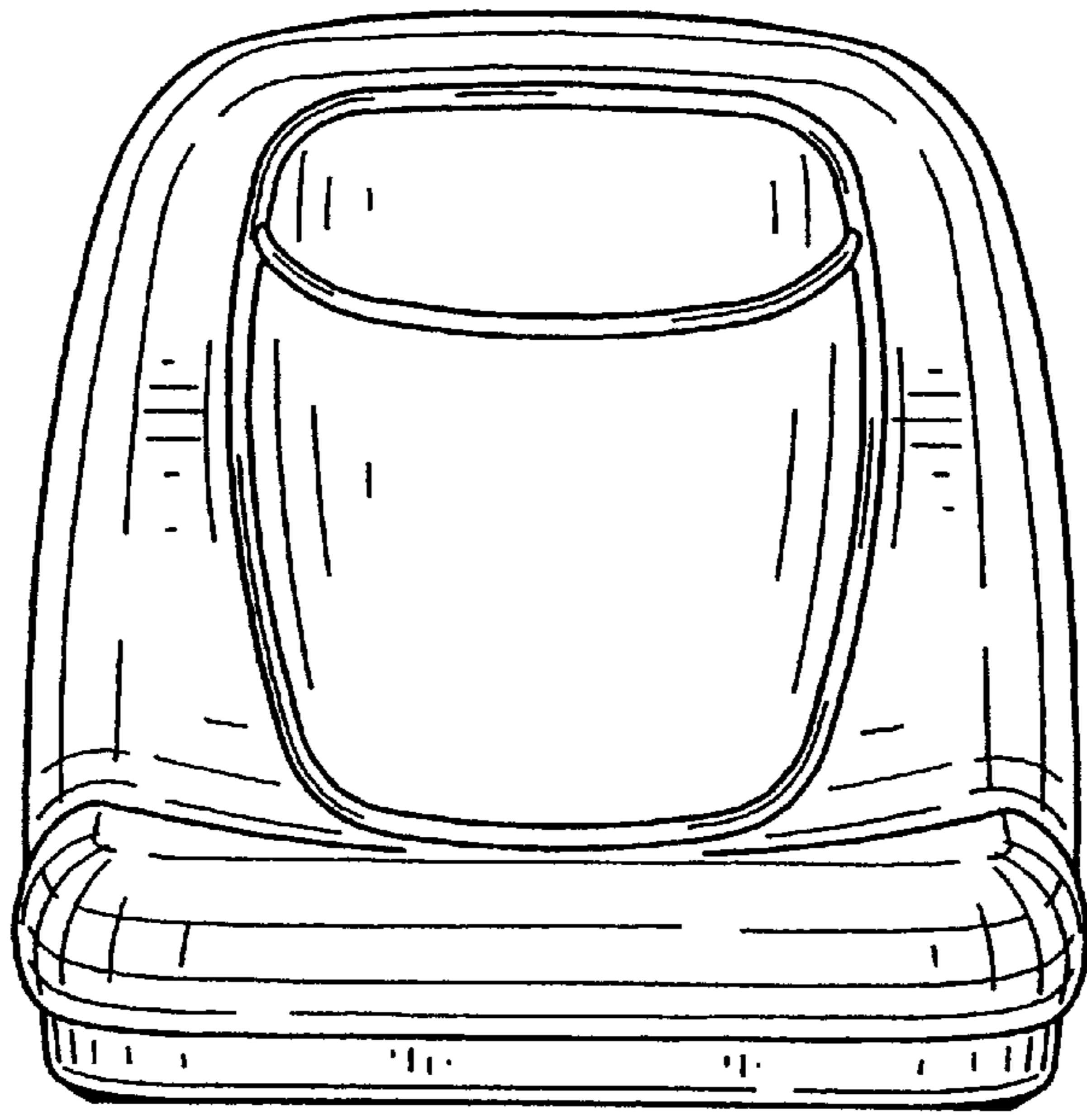


FIG. 3

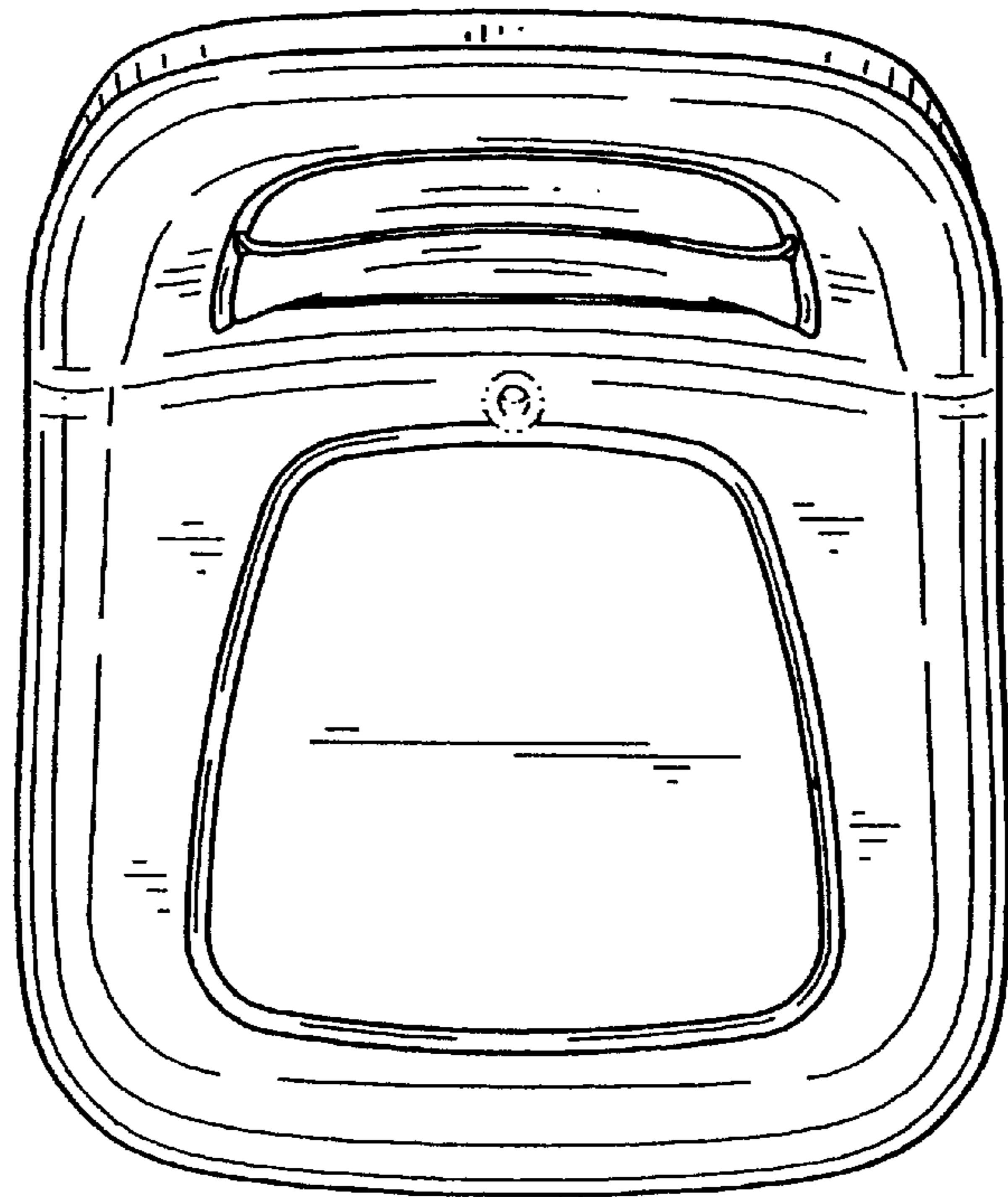


FIG. 4

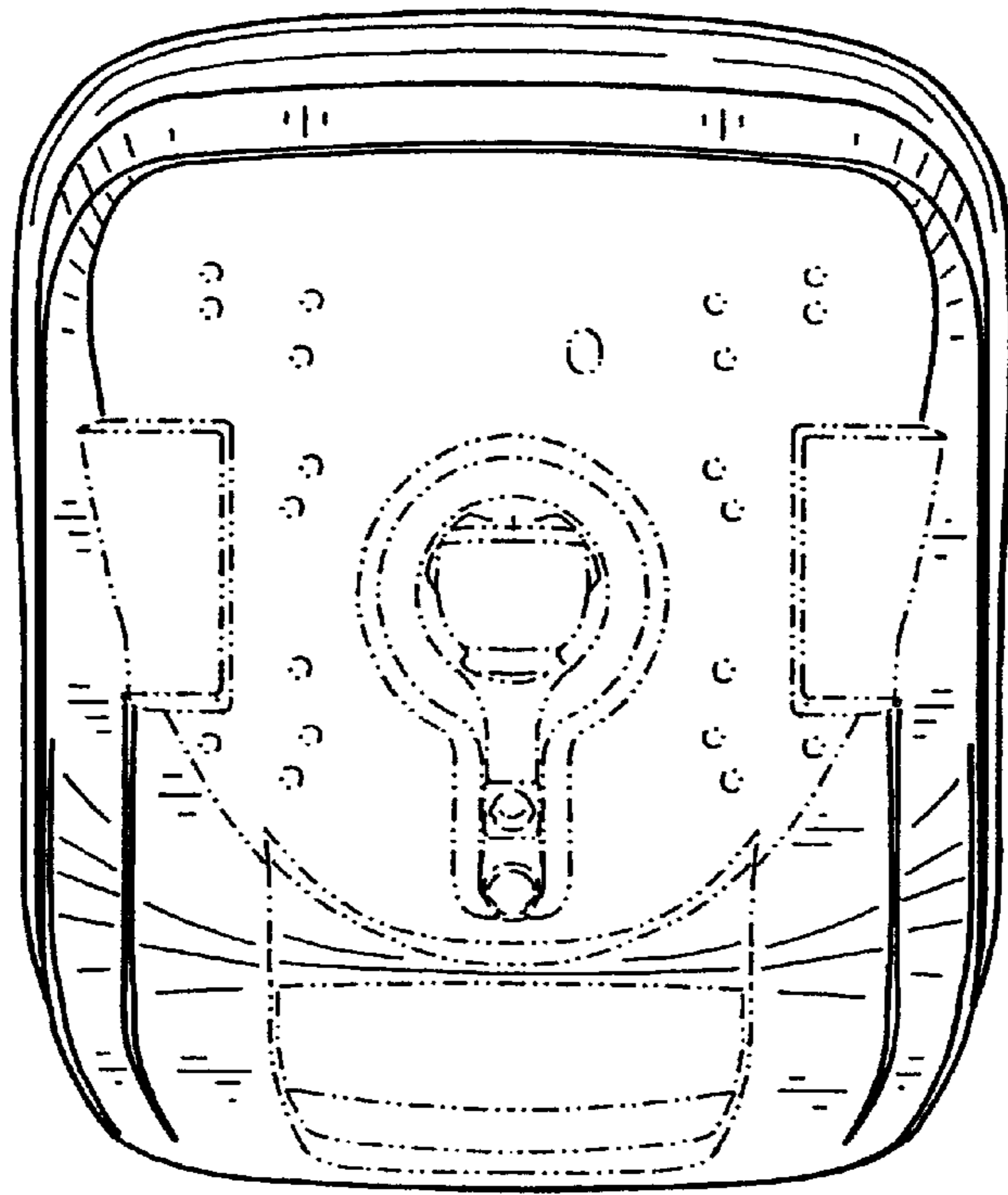


FIG. 5

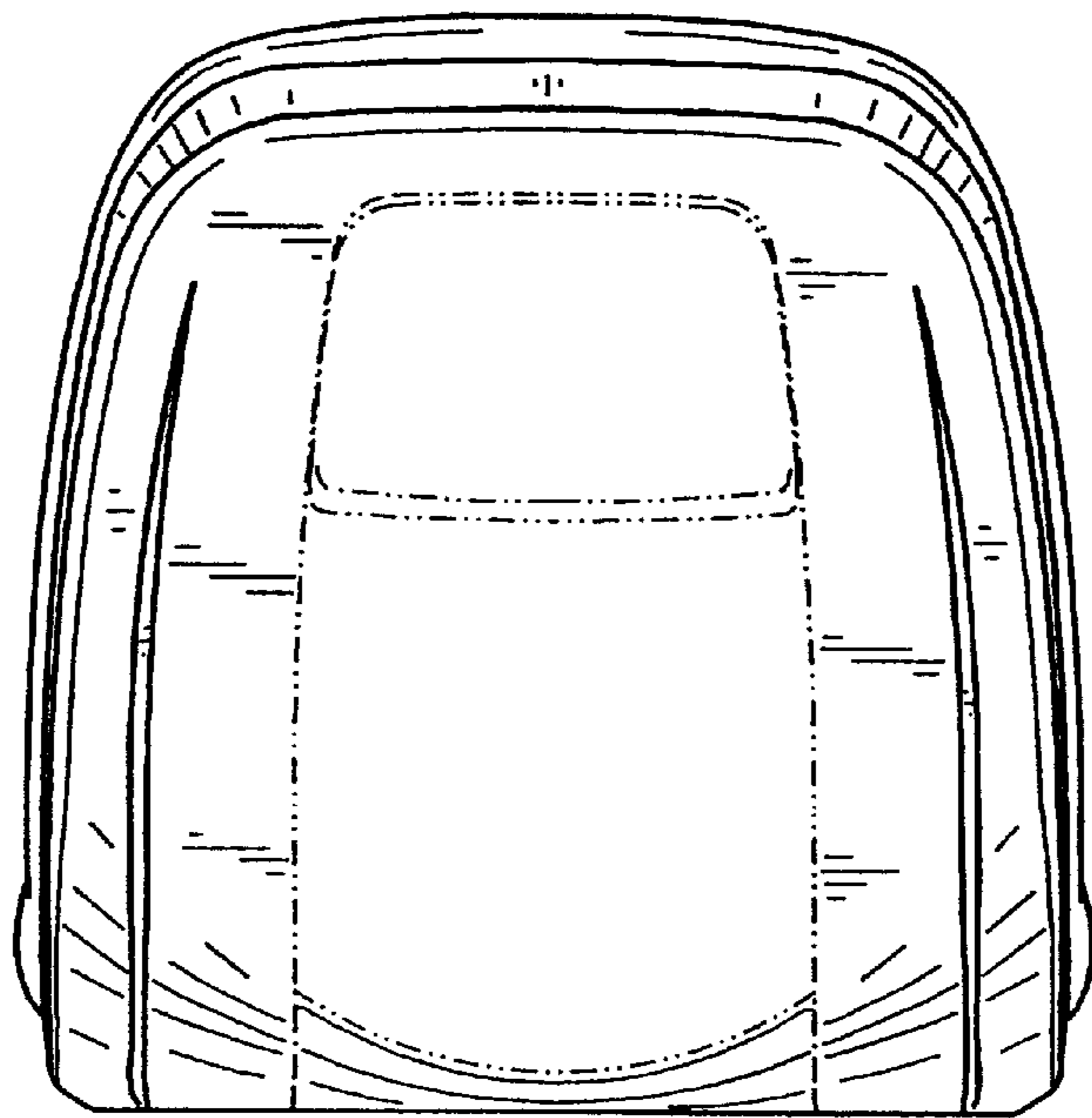


FIG. 6