



US00D483189S

(12) **United States Design Patent**
Cronk et al.

(10) **Patent No.:** **US D483,189 S**

(45) **Date of Patent:** **** Dec. 9, 2003**

(54) **CHAIR**

(75) Inventors: **Jeffrey P. Cronk**, Tulsa, OK (US);
Joseph D. Keitel, Muscatine, IA (US);
James M. Groulx, Muscatine, IA (US);
Randall E. Green, Sr., Muscatine, IA (US)

(73) Assignee: **HON Technology Inc.**, Muscatine, IA (US)

(**) Term: **14 Years**

(21) Appl. No.: **29/156,256**

(22) Filed: **Feb. 26, 2002**

(51) **LOC (7) Cl.** **06-01**

(52) **U.S. Cl.** **D6/334**

(58) **Field of Search** D6/334, 364, 365,
D6/374, 495, 500, 501, 502; 297/445.1

(56) **References Cited**

U.S. PATENT DOCUMENTS

D182,895 S	5/1958	Hoven et al.	
D190,805 S	7/1961	Deskey	
D231,878 S	6/1974	Kellum	
D293,630 S	* 1/1988	Stewart	D6/334
D293,631 S	* 1/1988	Offredi	D6/334
D360,310 S	7/1995	Stamberg et al.	
D367,194 S	* 2/1996	Hannum	D6/495
D367,841 S	* 3/1996	Garelick	D6/495 X

D372,610 S	* 8/1996	Hannum	D6/495
D375,845 S	11/1996	Mourgue	
D379,269 S	5/1997	Hutton	
D380,095 S	6/1997	Diaz-Azcuy	
D422,422 S	4/2000	Black	
D431,117 S	9/2000	Hutton	
D431,118 S	9/2000	Hutton	
D432,321 S	* 10/2000	Buehler	D6/334
D433,824 S	* 11/2000	King	D6/334
D442,374 S	* 5/2001	Hutton	D6/334
D446,961 S	8/2001	Natuzzi et al.	

* cited by examiner

Primary Examiner—Gary D. Watson

(74) *Attorney, Agent, or Firm*—Ronald A. Sandler; Jones Day

(57) **CLAIM**

The ornamental design for a chair, as shown.

DESCRIPTION

FIG. 1 is a front isometric view of the chair showing the new design:

FIG. 2 is a front view thereof;

FIG. 3 is a left side view thereof;

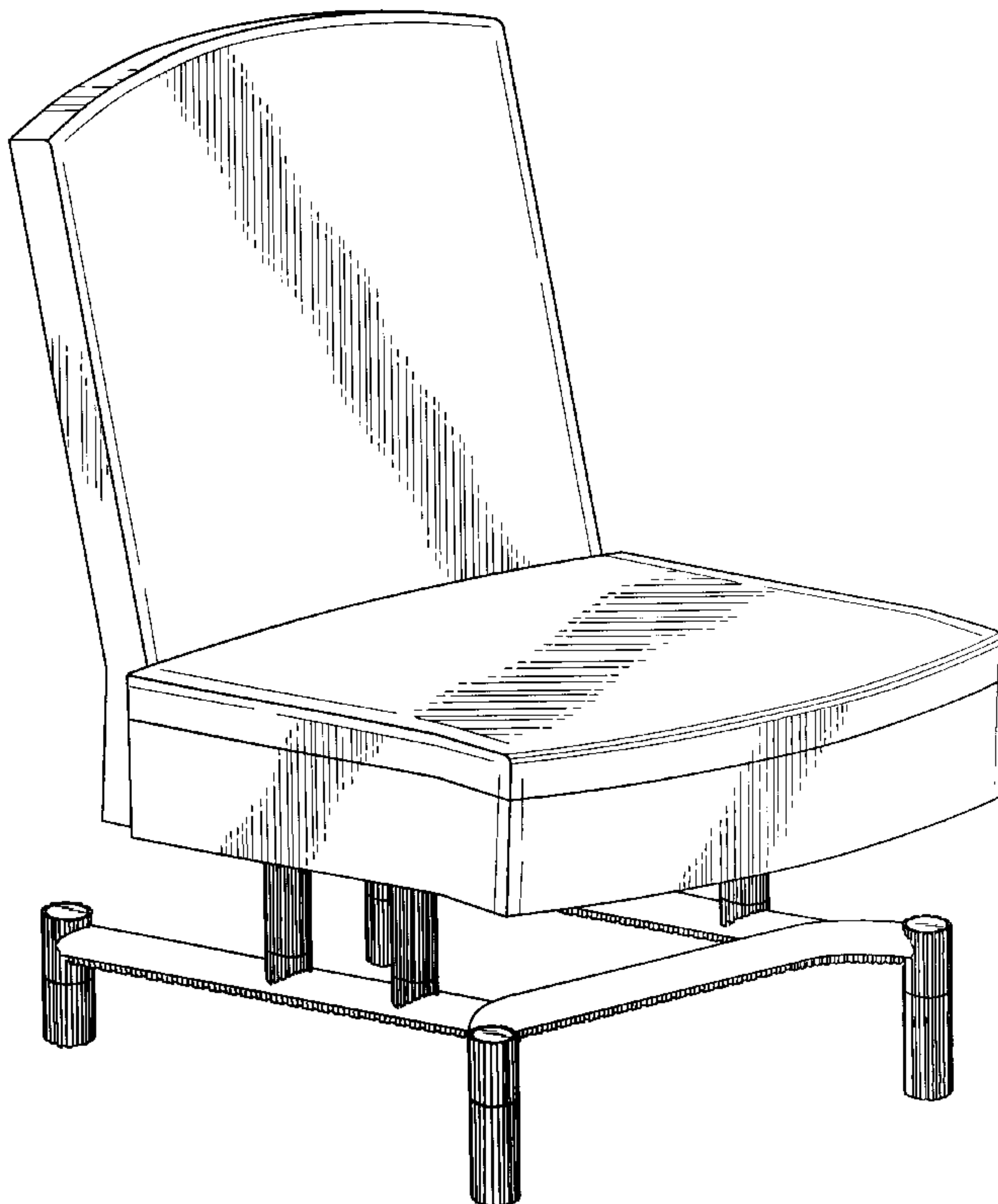
FIG. 4 is a rear view thereof;

FIG. 5 is a right side view thereof;

FIG. 6 is a top view thereof; and,

FIG. 7 is a bottom view thereof.

1 Claim, 7 Drawing Sheets



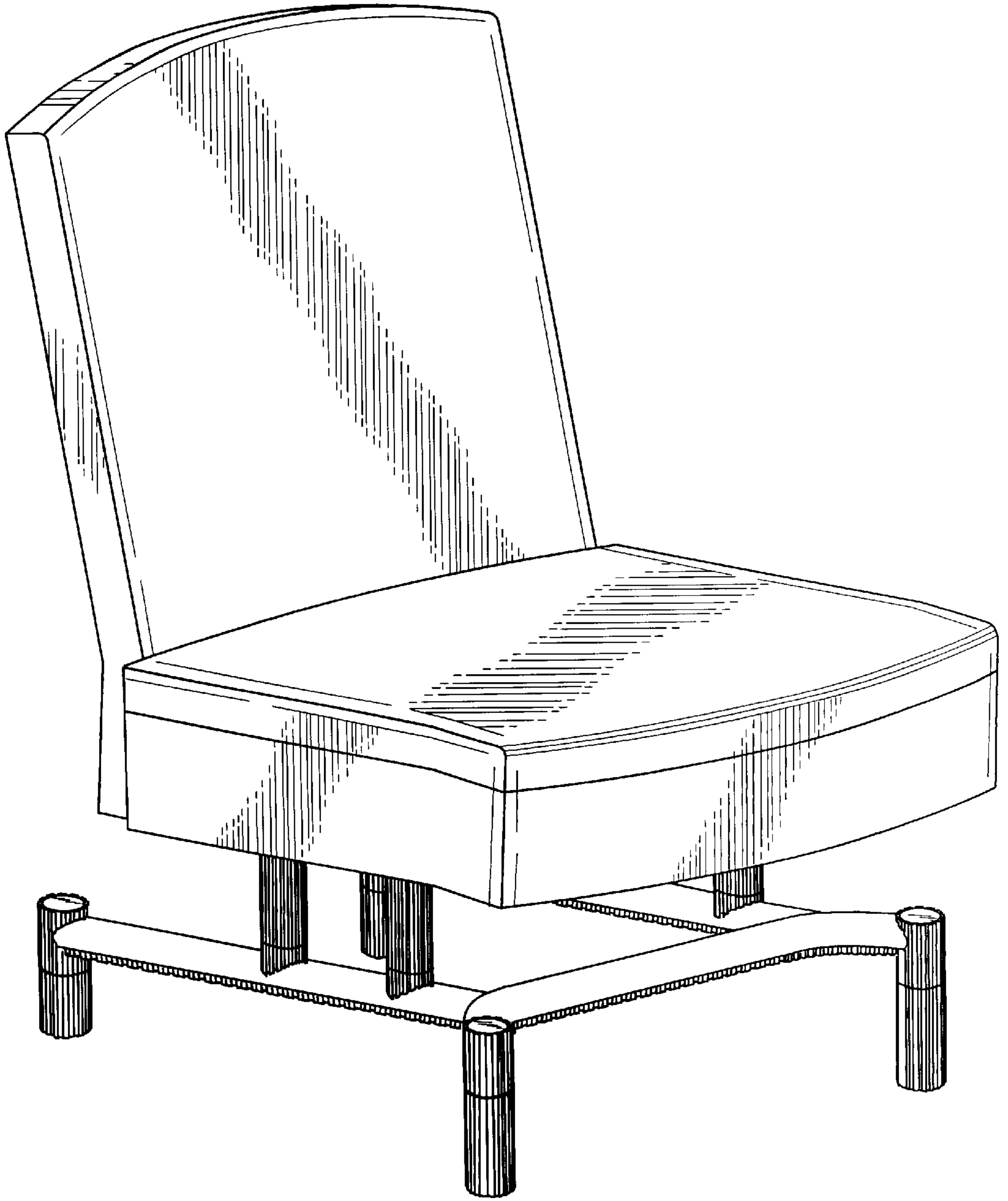


Fig. 1

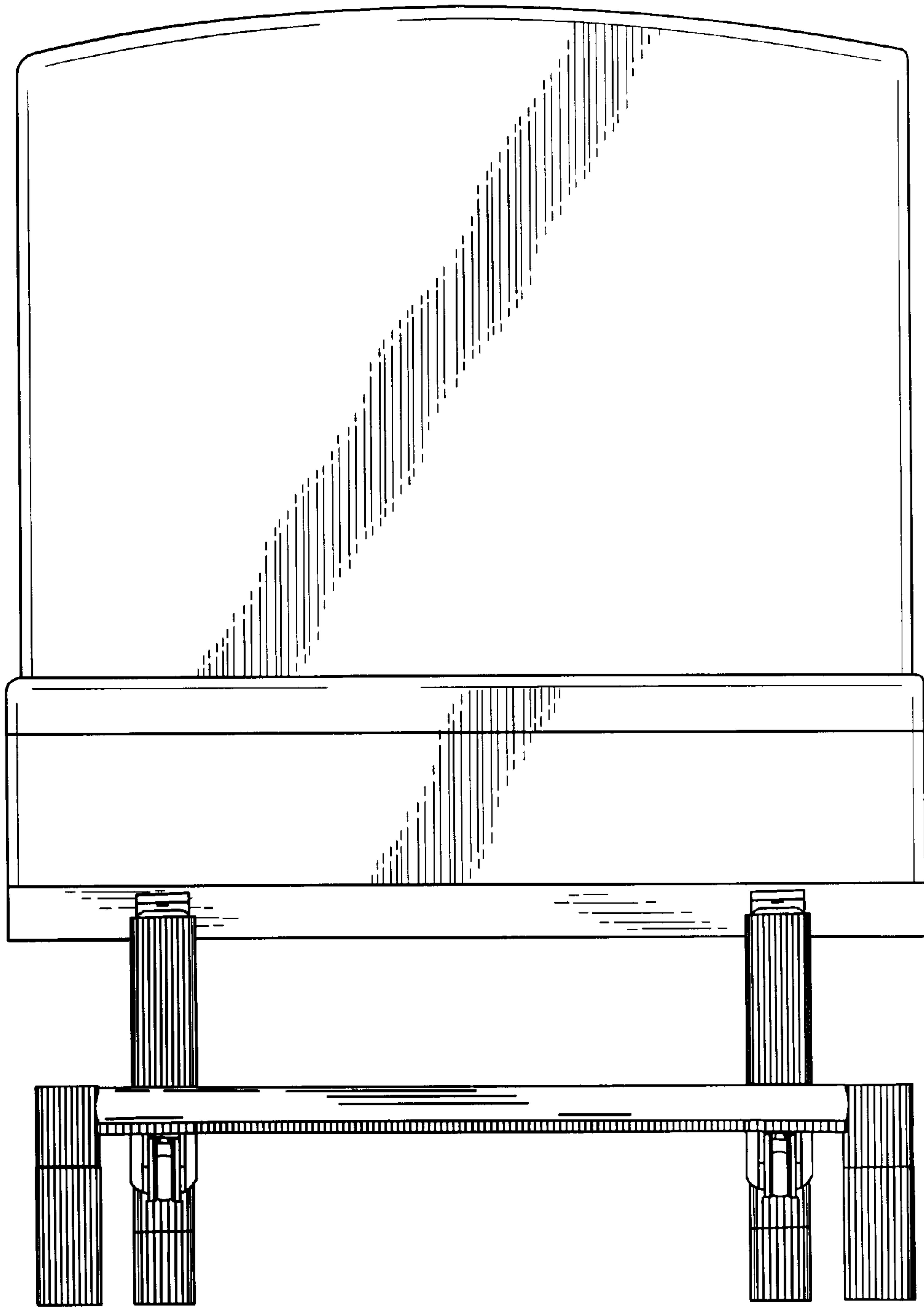


Fig. 2

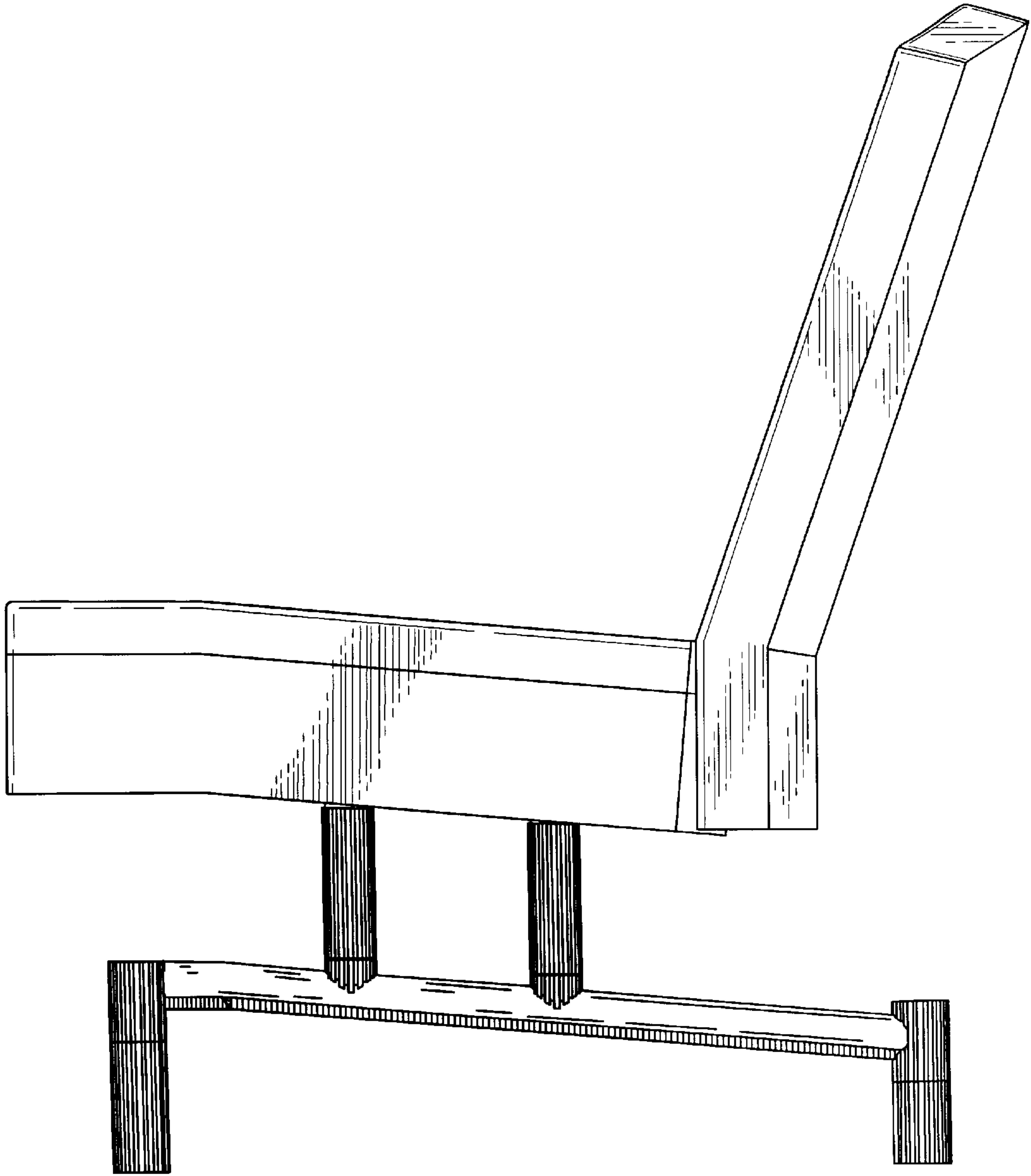


Fig. 3

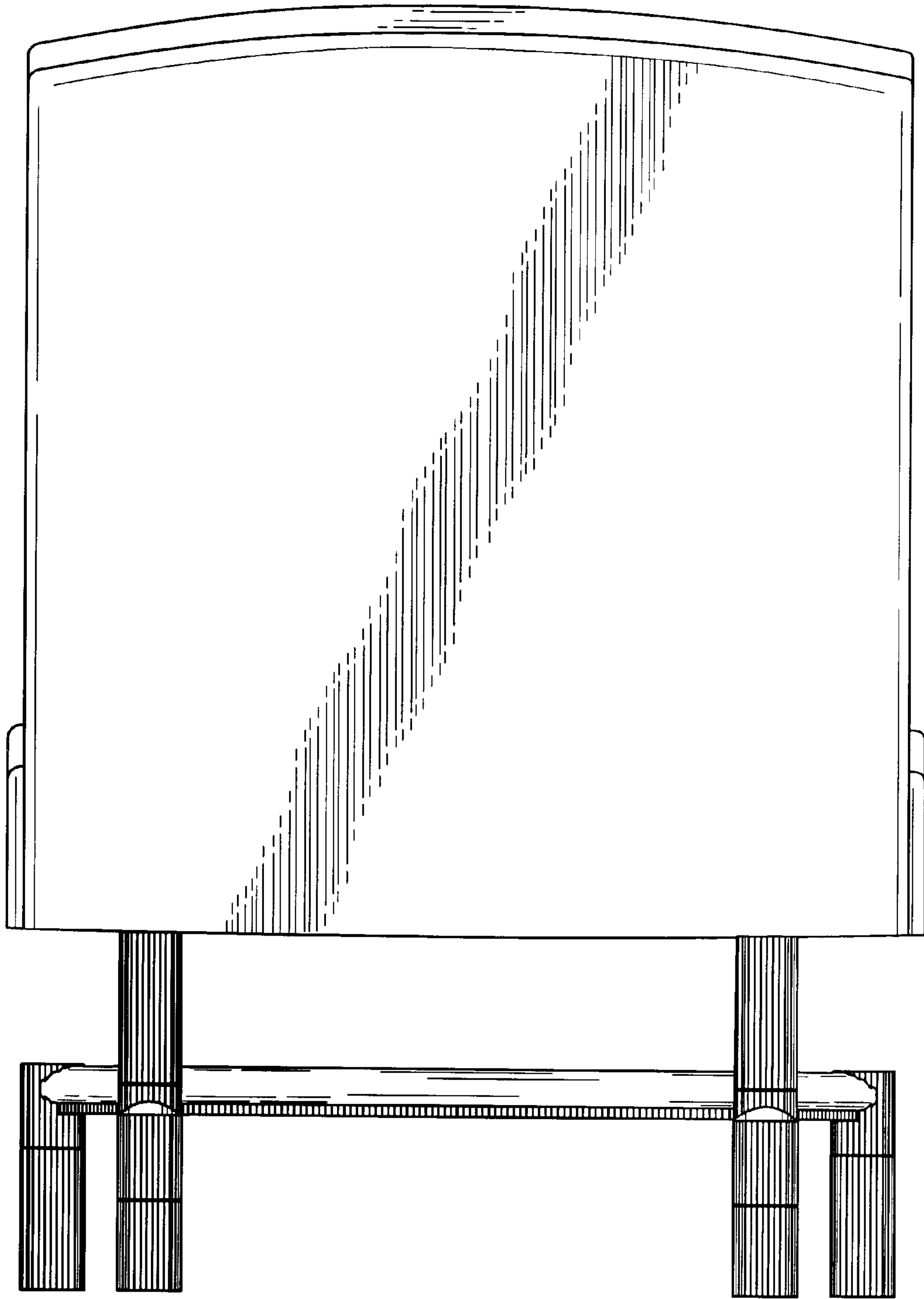


Fig. 4

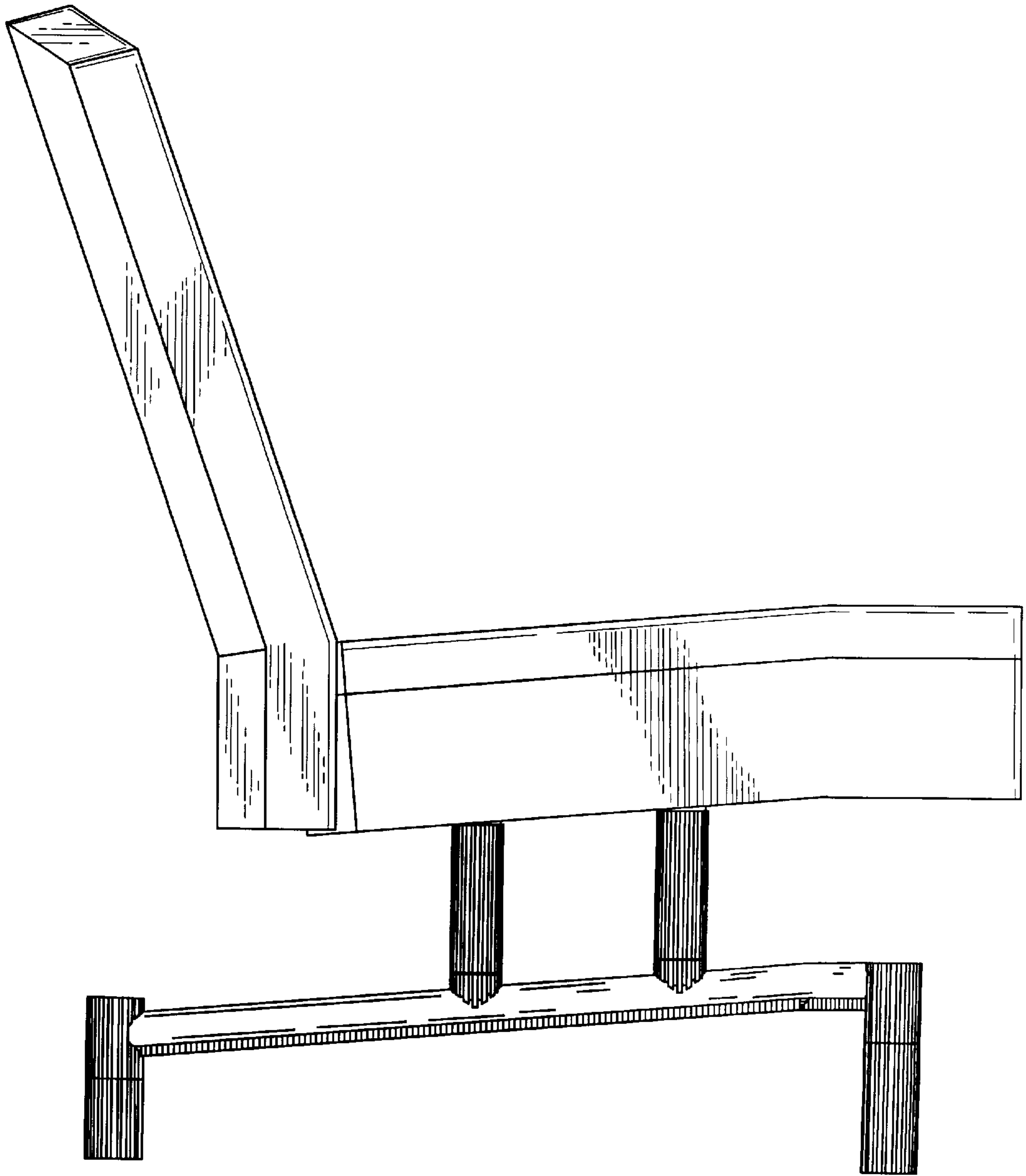


Fig. 5

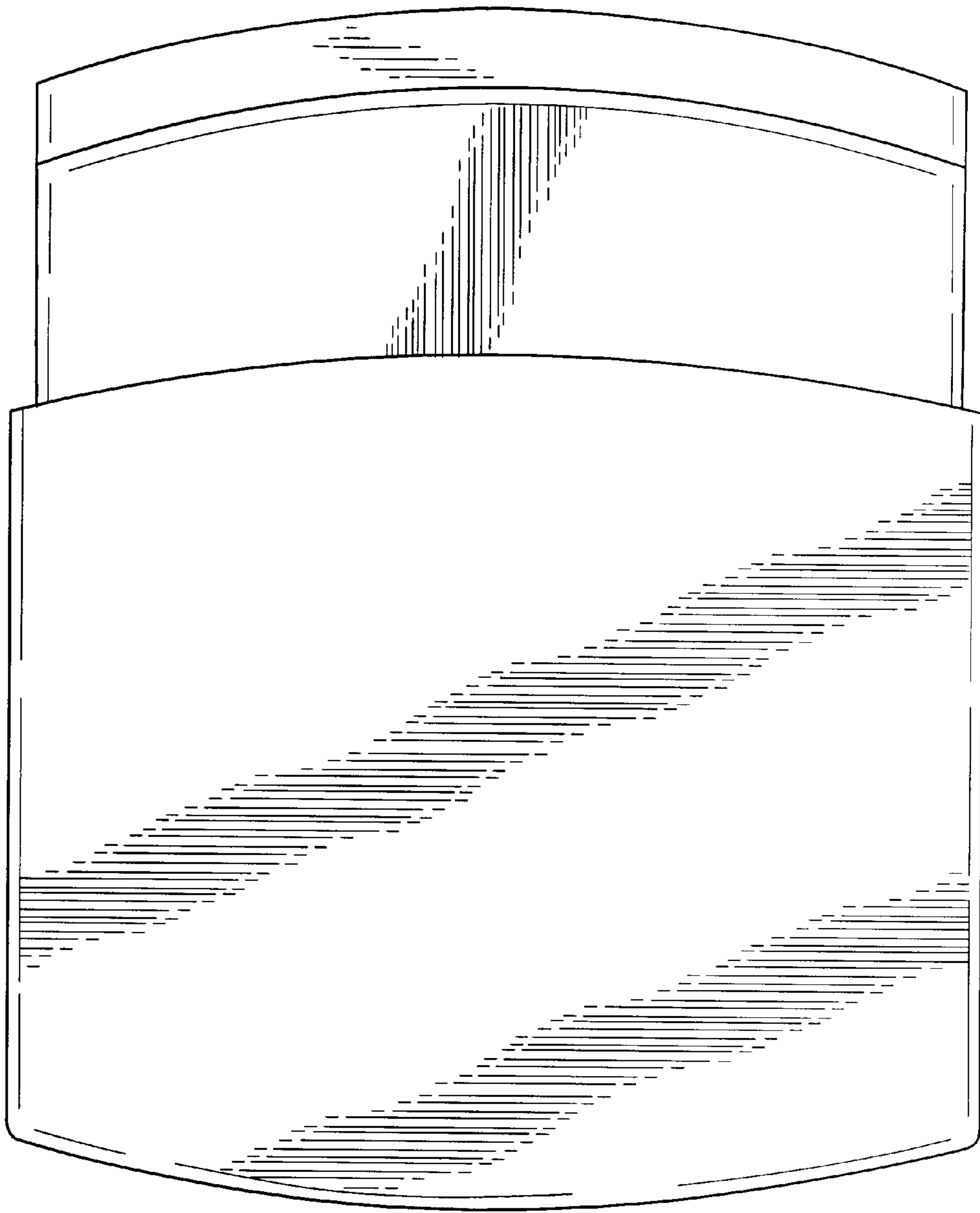


Fig. 6

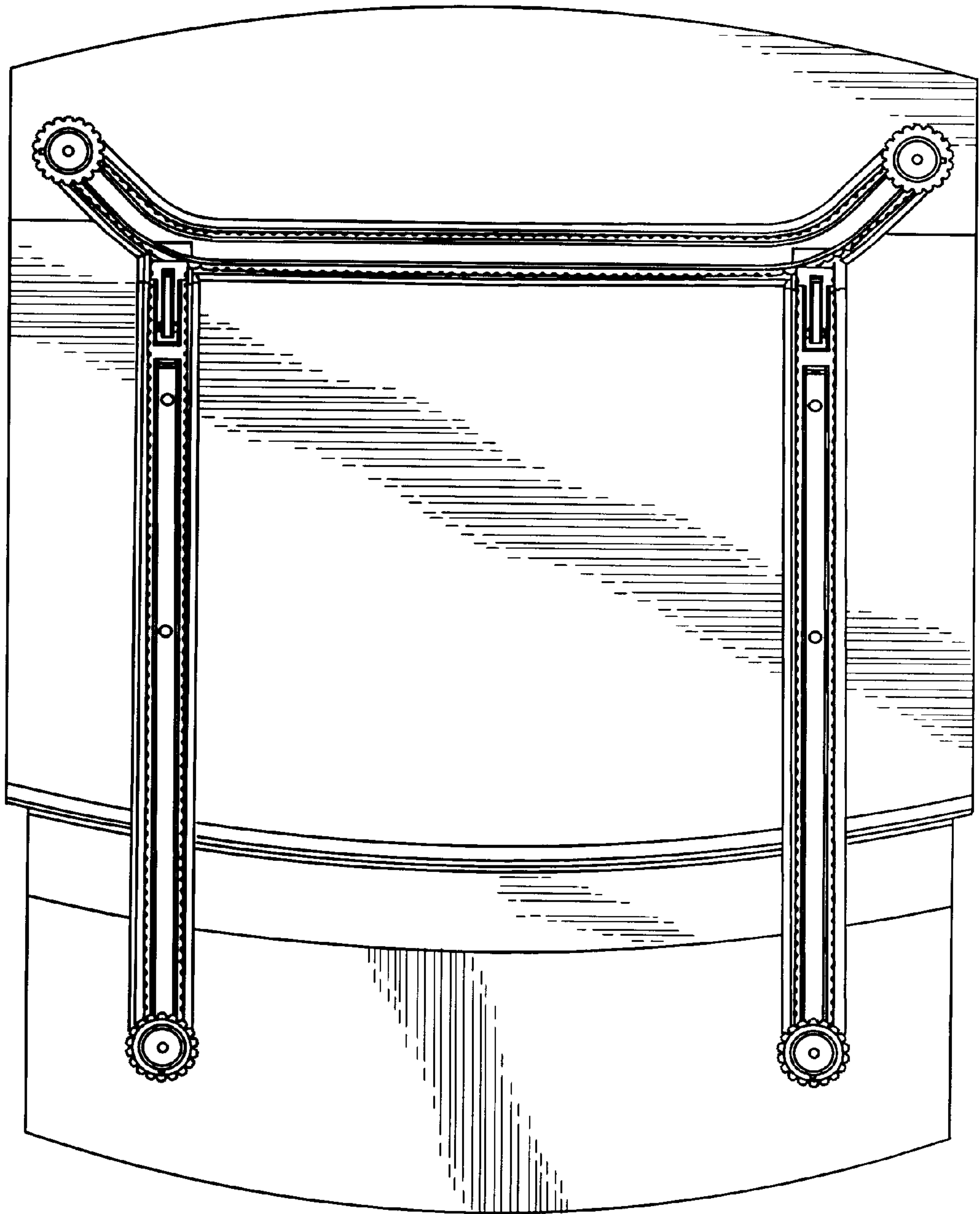


Fig. 7