



US00D483163S

(12) **United States Design Patent**  
**Kalman et al.**

(10) **Patent No.:** **US D483,163 S**

(45) **Date of Patent:** **\*\* Dec. 2, 2003**

(54) **CONNECTOR FOR NOZZLE BASE**

(75) **Inventors:** **Jeffrey M. Kalman**, Cleveland Heights, OH (US); **Craig M. Saunders**, Rocky River, OH (US)

(73) **Assignee:** **Royal Appliance Mfg. Co.**, Glenwillow, OH (US)

(\*\*) **Term:** **14 Years**

(21) **Appl. No.:** **29/166,752**

(22) **Filed:** **Sep. 4, 2002**

(51) **LOC (7) Cl.** ..... **15-05**

(52) **U.S. Cl.** ..... **D32/32**

(58) **Field of Search** ..... D32/31-33, 21, D32/22, 23; 15/415.1-422.1, 320-322, 350, 352-353, 361-362, 400, 412, 414; 55/374

(56) **References Cited**

**U.S. PATENT DOCUMENTS**

261,268 A *	7/1882	Snyder et al.	56/272
5,089,038 A *	2/1992	Kopco et al.	55/374
D331,991 S	12/1992	Wright et al.	
D335,941 S	5/1993	Wright et al.	
5,294,236 A *	3/1994	Baird	96/416
5,347,679 A	9/1994	Saunders et al.	
D359,604 S	6/1995	Sovis et al.	
5,464,460 A *	11/1995	Bosses	55/374

5,781,961 A	7/1998	Thur et al.	
D411,669 S *	6/1999	Wareham	D32/32
D424,260 S *	5/2000	Worwag	D32/32
D425,271 S *	5/2000	Roberts et al.	D32/31
D427,399 S	6/2000	Thur et al.	
D427,736 S	7/2000	Saunders et al.	
D439,383 S	3/2001	Salo et al.	
6,317,920 B1	11/2001	Brickner et al.	

\* cited by examiner

*Primary Examiner*—Ruth McInroy

(74) *Attorney, Agent, or Firm*—Fay, Sharpe, Fagan, Minnich & McKee, LLP

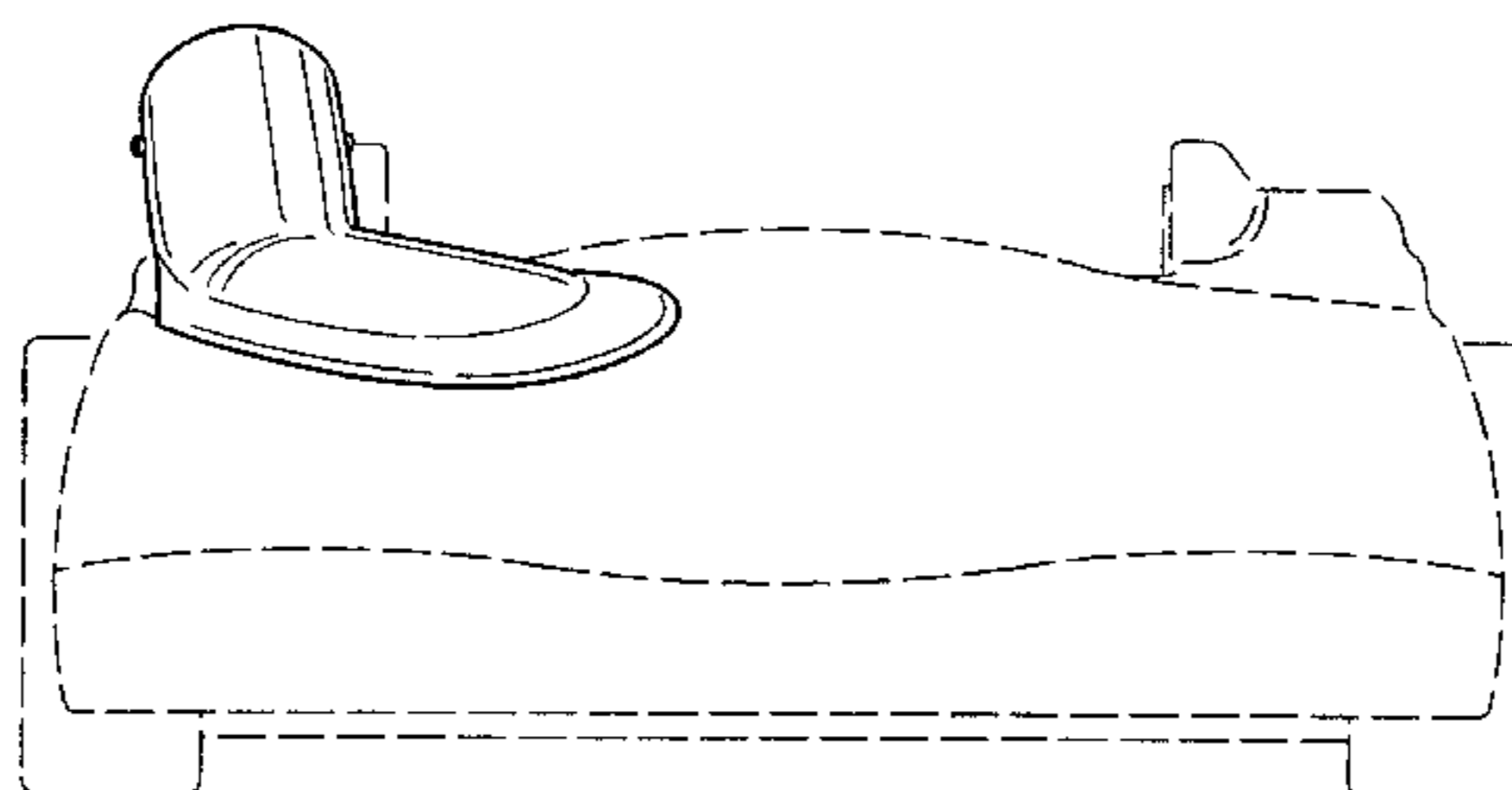
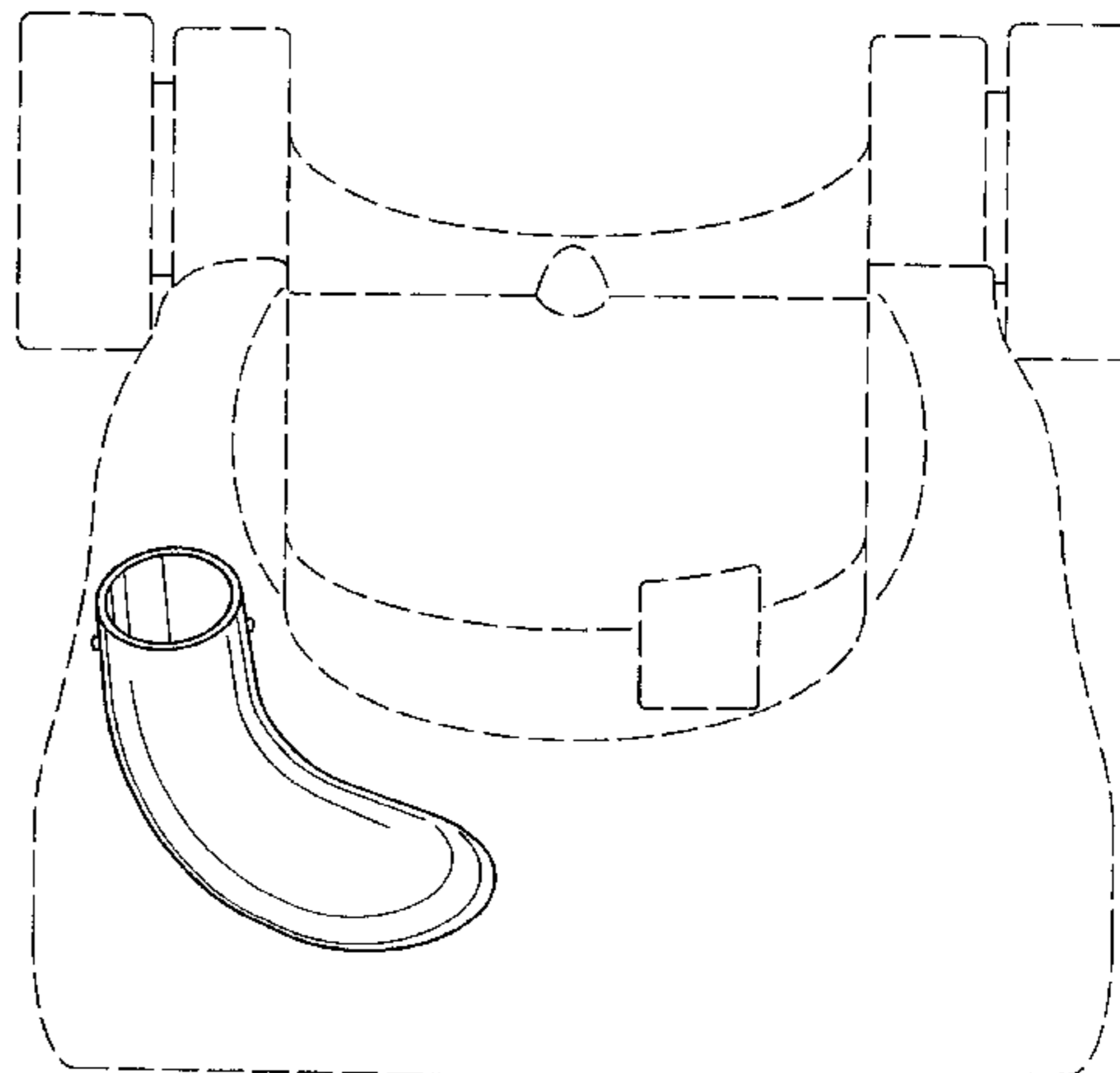
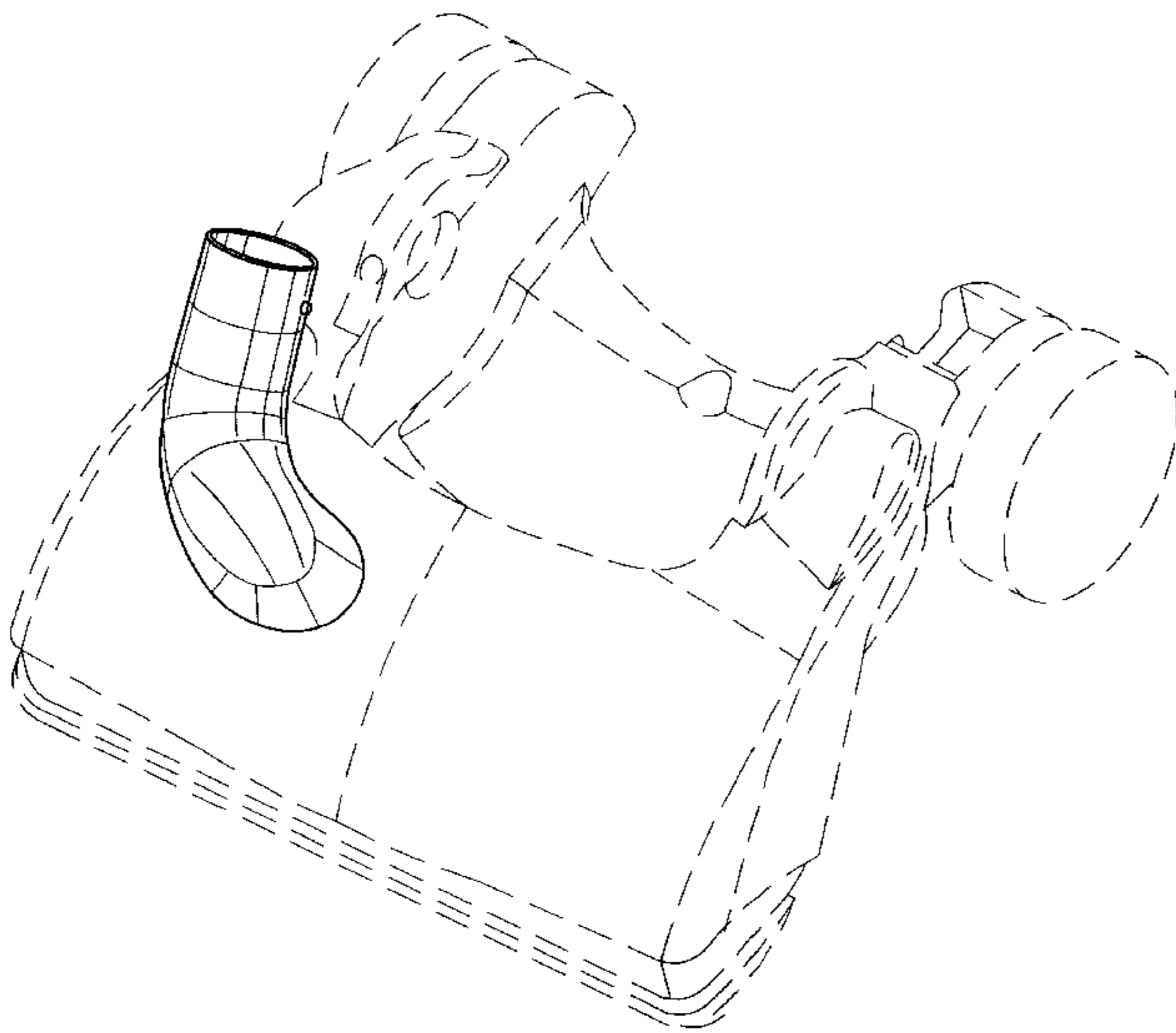
(57) **CLAIM**

The ornamental design for the connector for nozzle base, as shown and described.

**DESCRIPTION**

FIG. 1 is a perspective view of the connector for nozzle base showing our new design; FIG. 2 is a top plan view thereof; FIG. 3 is a front elevational view thereof; FIG. 4 is a rear elevational view thereof; FIG. 5 is a left side elevational view thereof; and, FIG. 6 is a right side elevational view thereof. The broken lines showing the remainder of the nozzle base in FIGS. 1-6 are for illustrative purposes only and form no part of the claimed design.

**1 Claim, 3 Drawing Sheets**



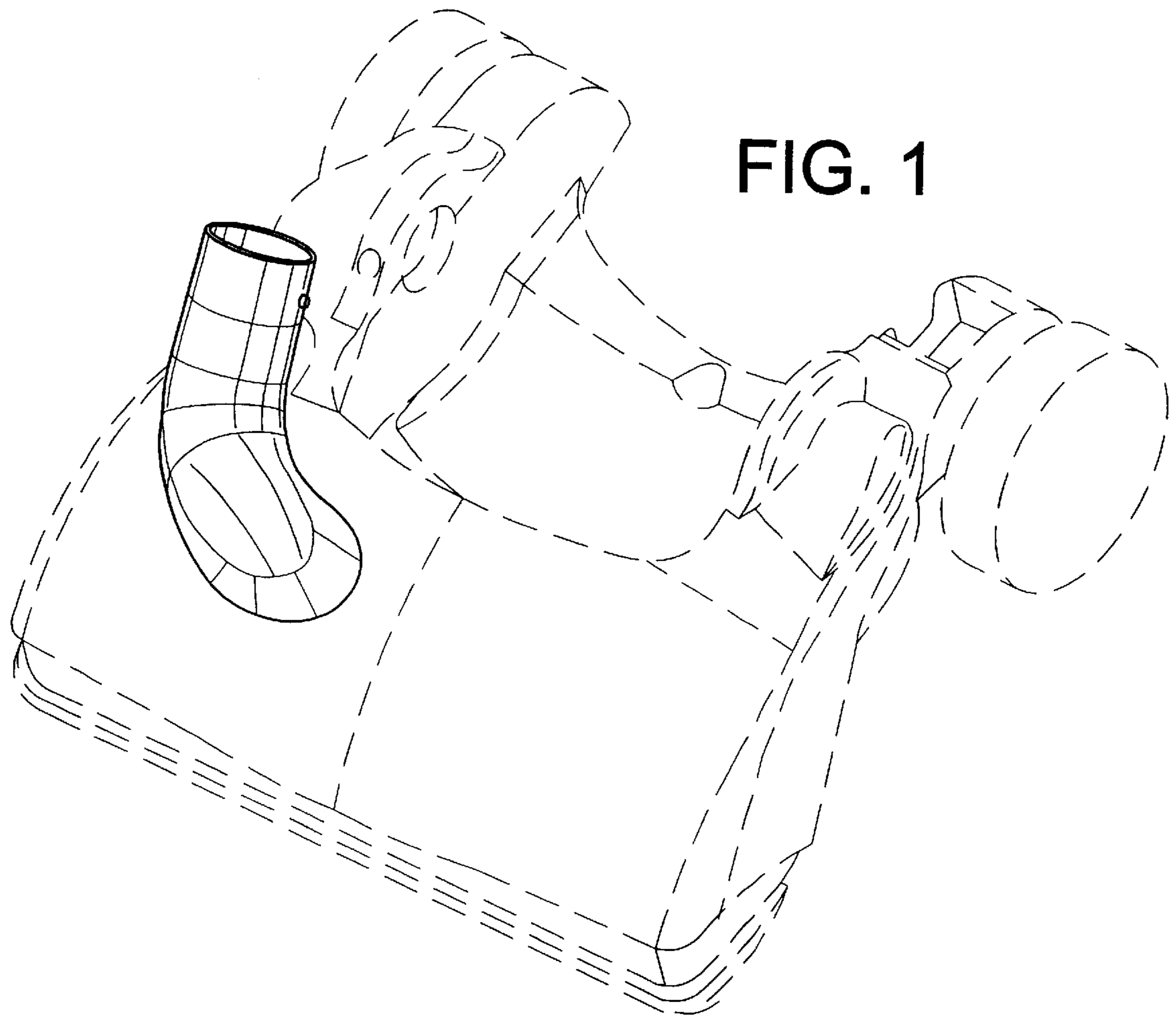


FIG. 1

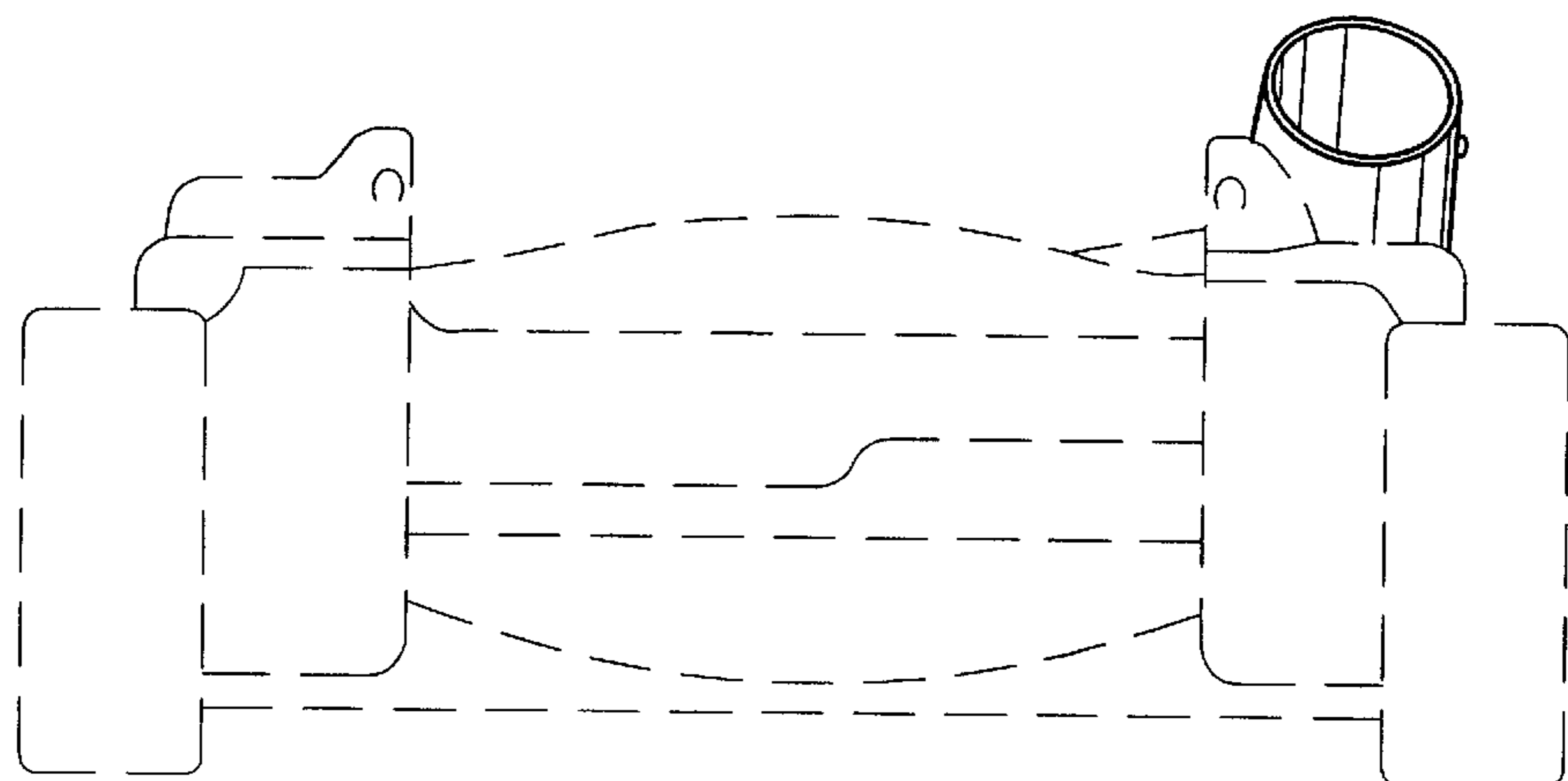


FIG. 4

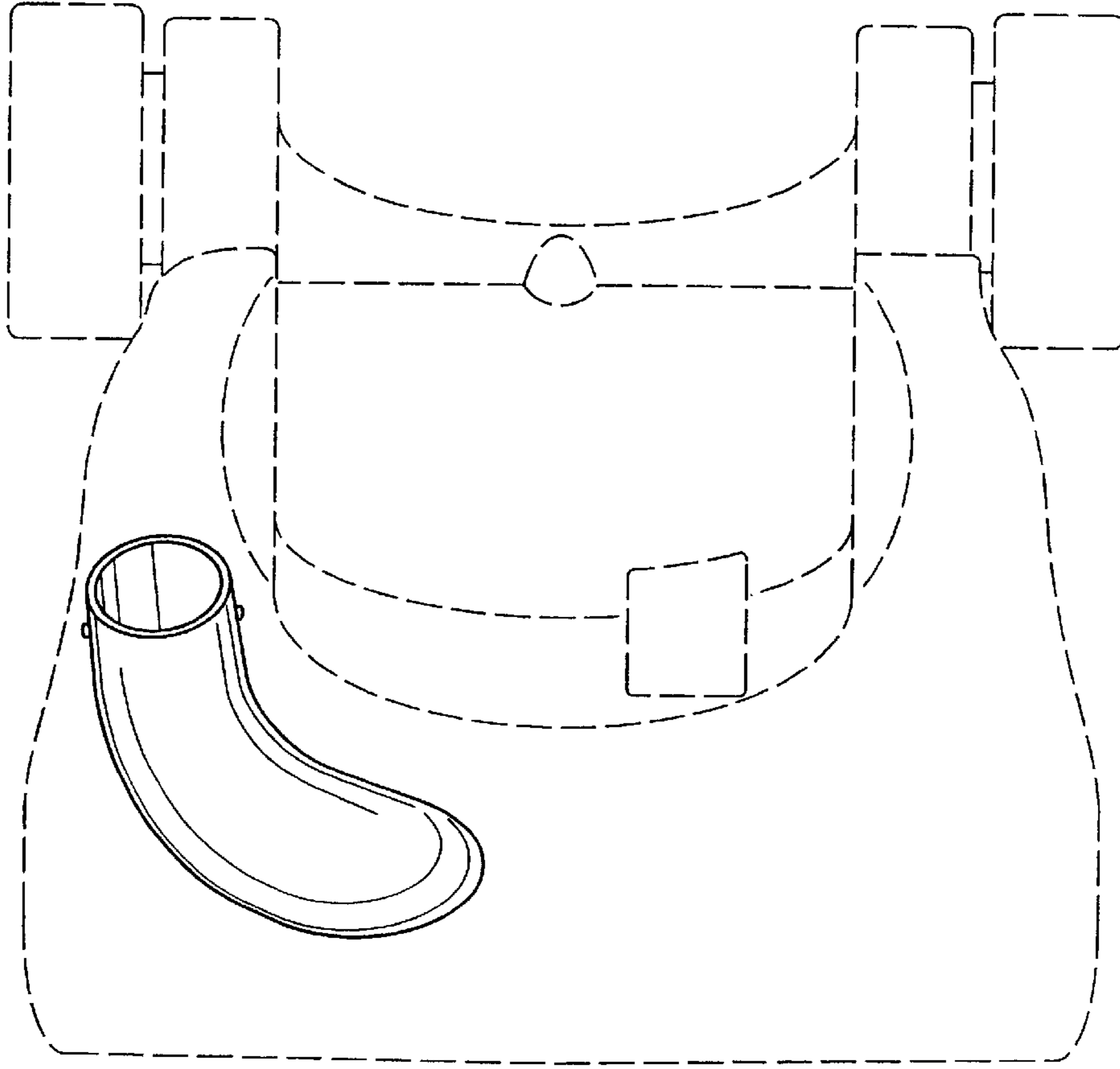


FIG. 2

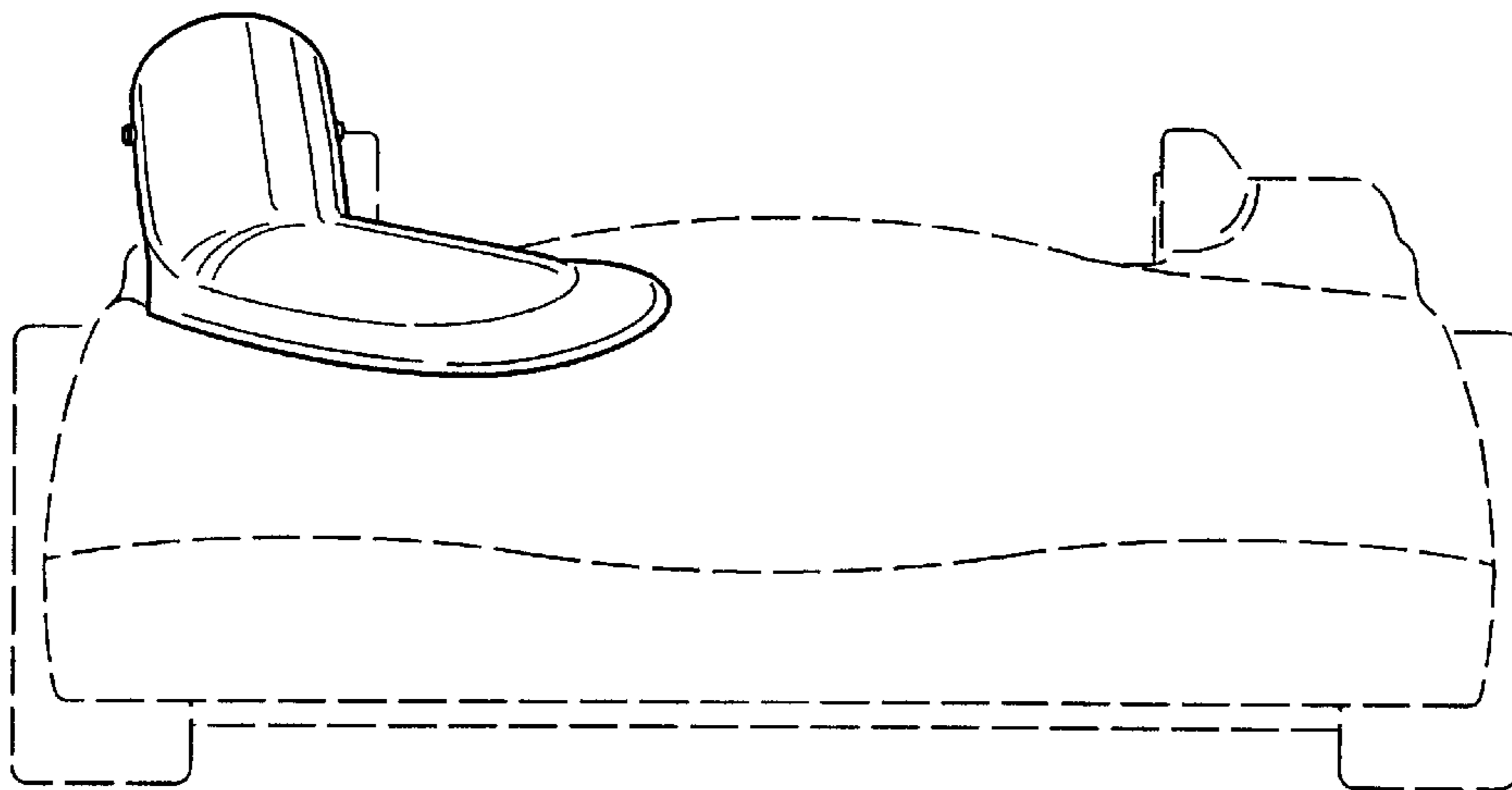


FIG. 3

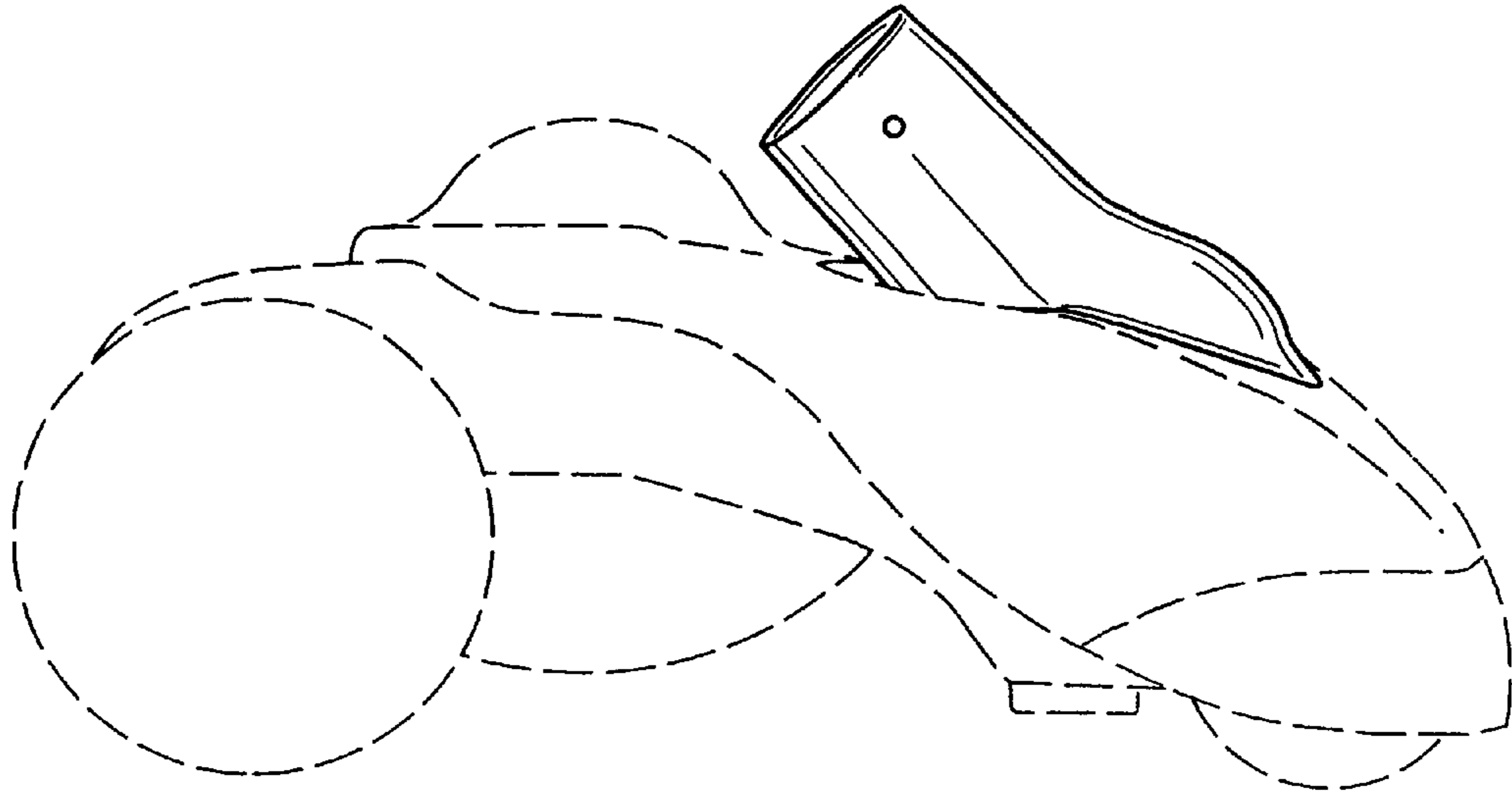


FIG. 5

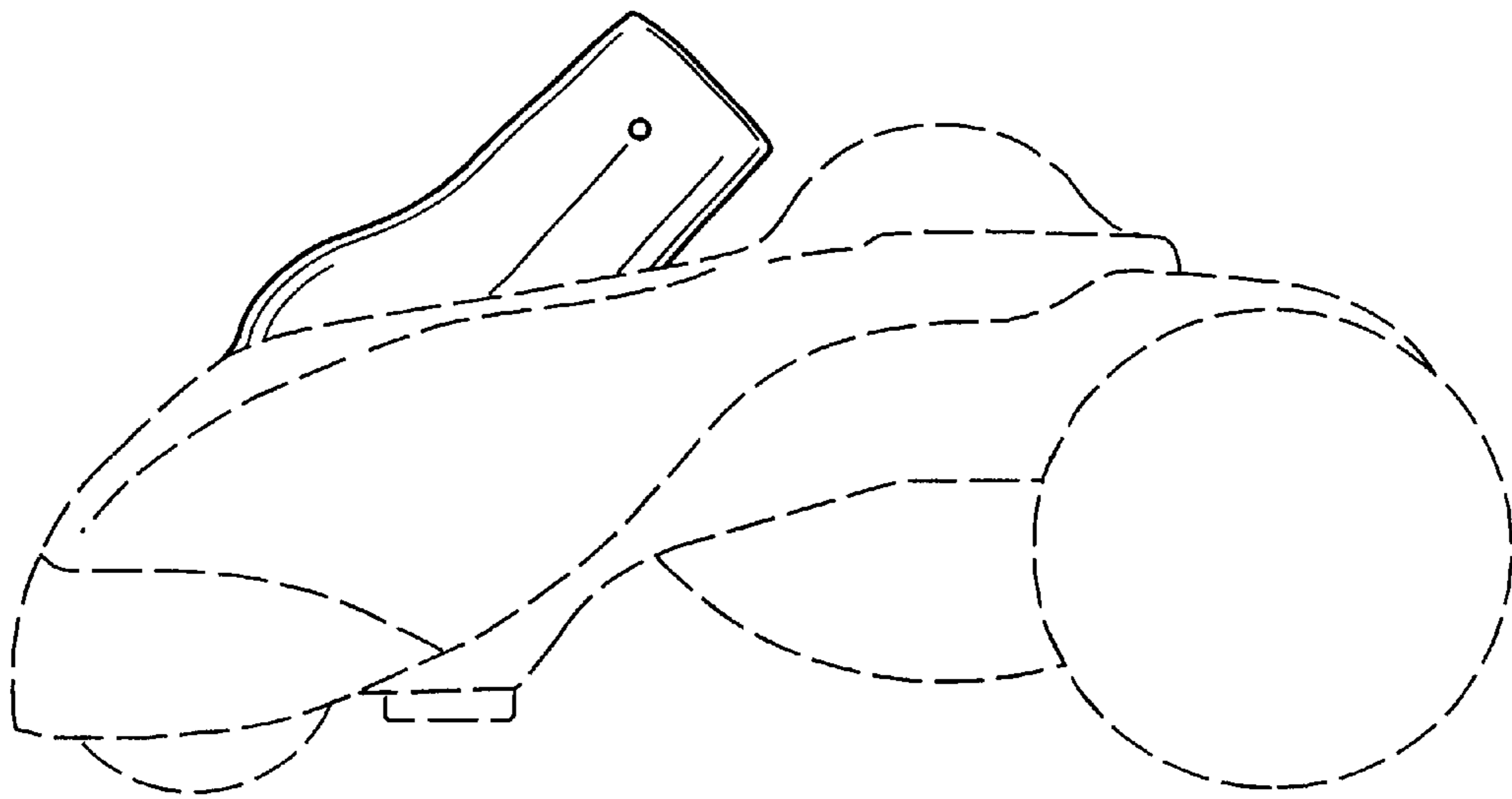


FIG. 6