



US00D483162S

(12) **United States Design Patent**
Lausevic

(10) **Patent No.:** **US D483,162 S**

(45) **Date of Patent:** **** Dec. 2, 2003**

(54) **VACUUM CLEANER ATTACHMENT FOR FUNGI REMOVAL**

4,779,385 A 10/1988 Reiter 51/180
5,297,363 A 3/1994 Schroder et al. 51/170
5,634,843 A 6/1997 Liu 451/344
6,032,317 A * 3/2000 Wiley 15/220.1

(76) Inventor: **John Lausevic**, Pacific Gold Coast Construction, Inc., 3107 Pico Blvd., Suite K, Santa Monica, CA (US) 90405

FOREIGN PATENT DOCUMENTS

(**) Term: **14 Years**

WO WO 93/01913 2/1993

* cited by examiner

(21) Appl. No.: **29/164,809**

Primary Examiner—Ruth McInroy

(22) Filed: **Jul. 30, 2002**

(74) *Attorney, Agent, or Firm*—Cislo & Thomas LLP

(51) **LOC (7) Cl.** **15-05**

(57) **CLAIM**

(52) **U.S. Cl.** **D32/32**

The ornamental design for a vacuum cleaner attachment for fungi removal, as shown and described.

(58) **Field of Search** D32/31–33, 21, D32/22, 23; 15/415.1–422.1, 321–322, 400–401, 414, 231; 451/522, 456

DESCRIPTION

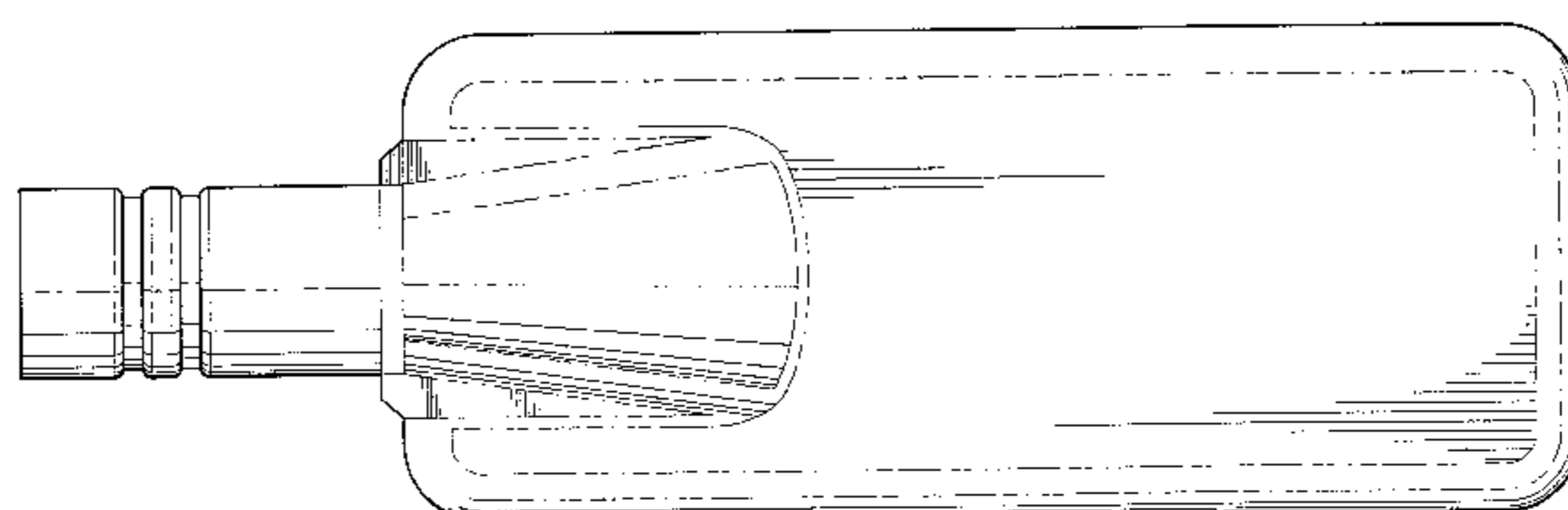
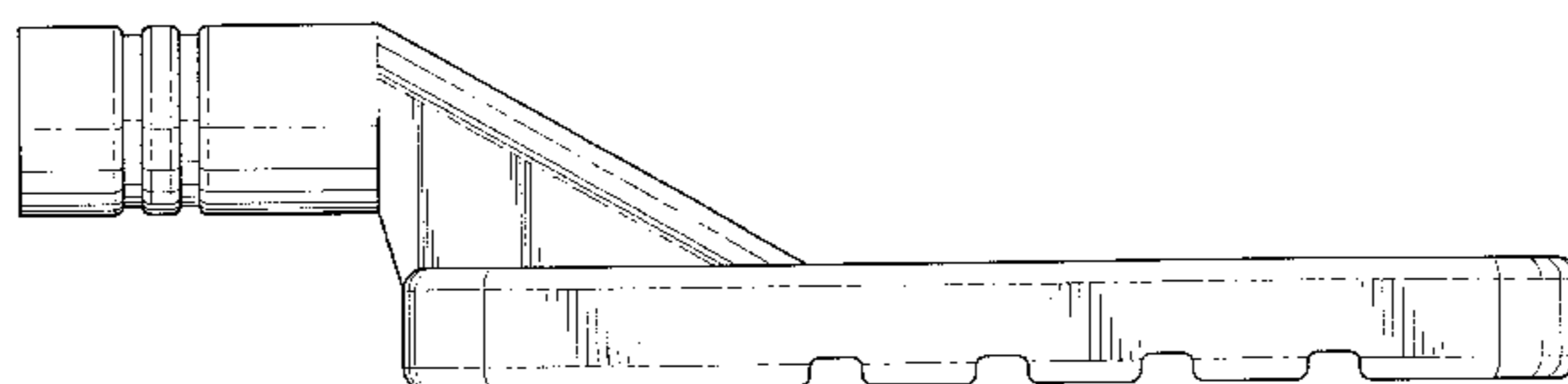
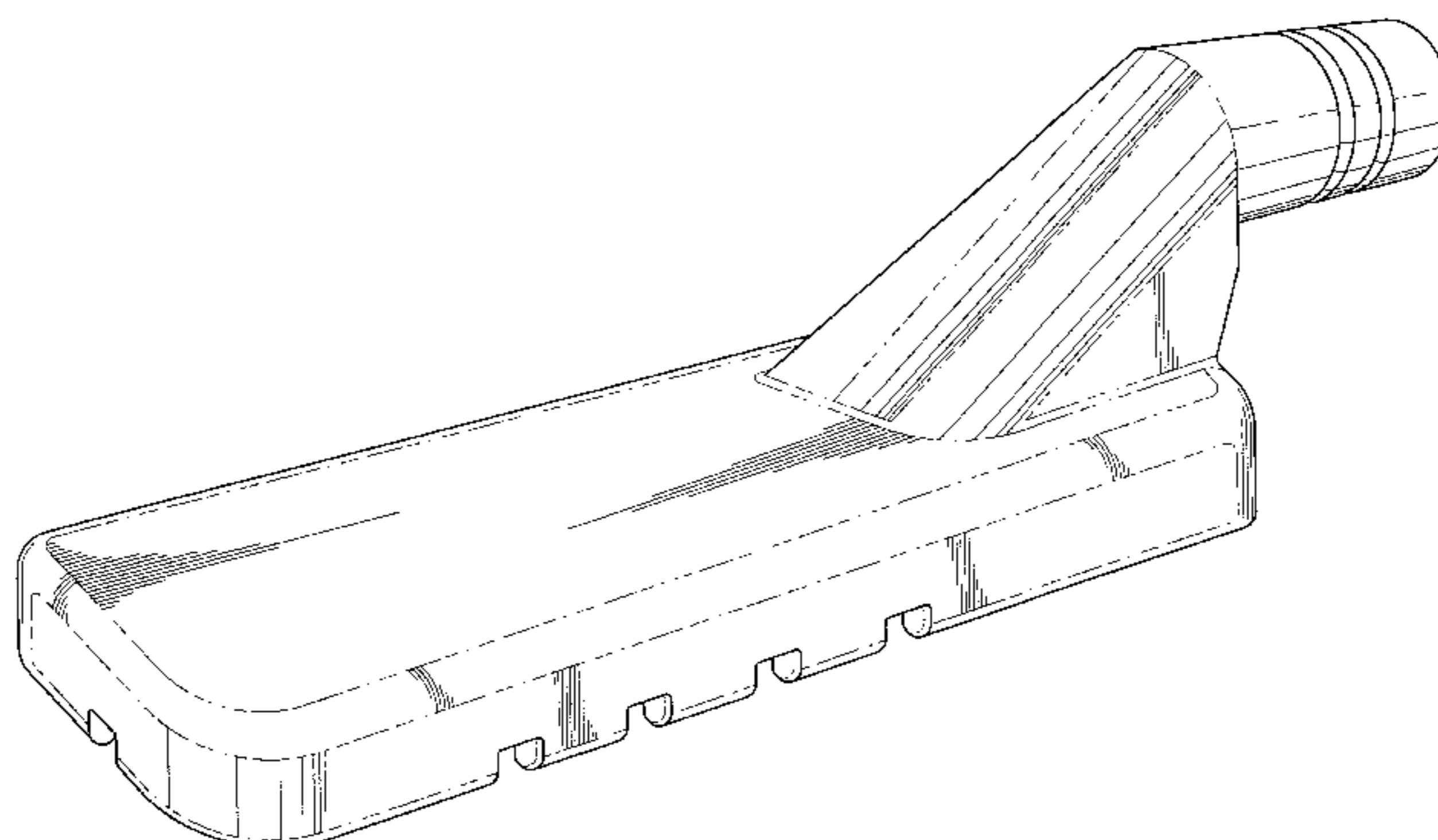
(56) **References Cited**

FIG. 1 is a front left perspective view of a vacuum cleaner attachment for fungi removal;
FIG. 2 is a right side view thereof with the left side being a mirror image of the right side;
FIG. 3 is a top plan view thereof;
FIG. 4 is a bottom plan view thereof;
FIG. 5 is a rear elevational view thereof; and,
FIG. 6 is a front elevational view thereof.

U.S. PATENT DOCUMENTS

943,424 A * 12/1909 Lacook 15/396
2,280,751 A * 4/1942 Davis 15/1.51
D152,589 S 2/1949 Burri
2,499,933 A 3/1950 Smul
2,866,221 A * 12/1958 Warva 15/397
3,965,527 A * 6/1976 George 15/396
4,680,895 A 7/1987 Roestenberg 51/170
4,759,155 A 7/1988 Shaw 51/392

1 Claim, 4 Drawing Sheets



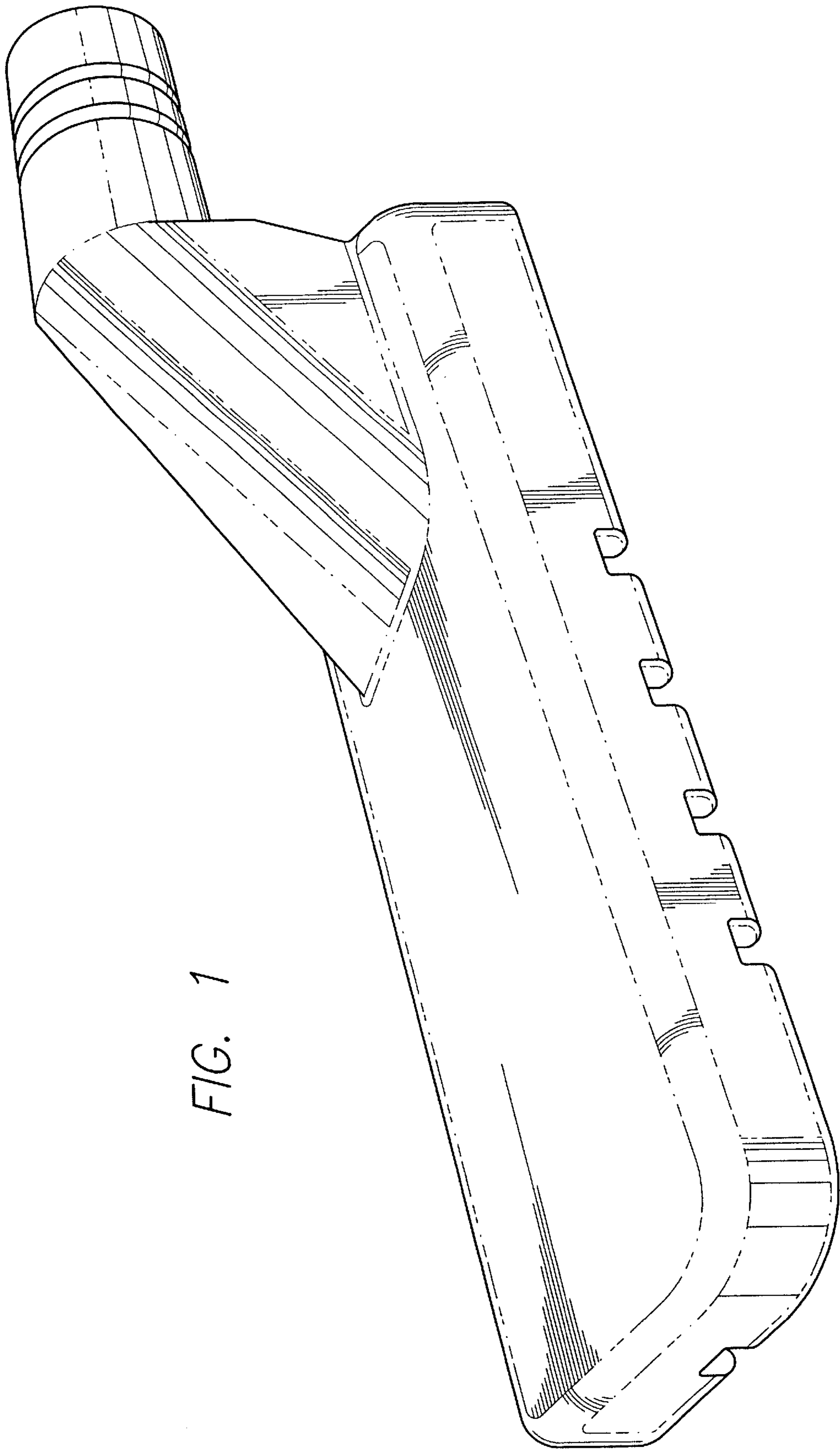
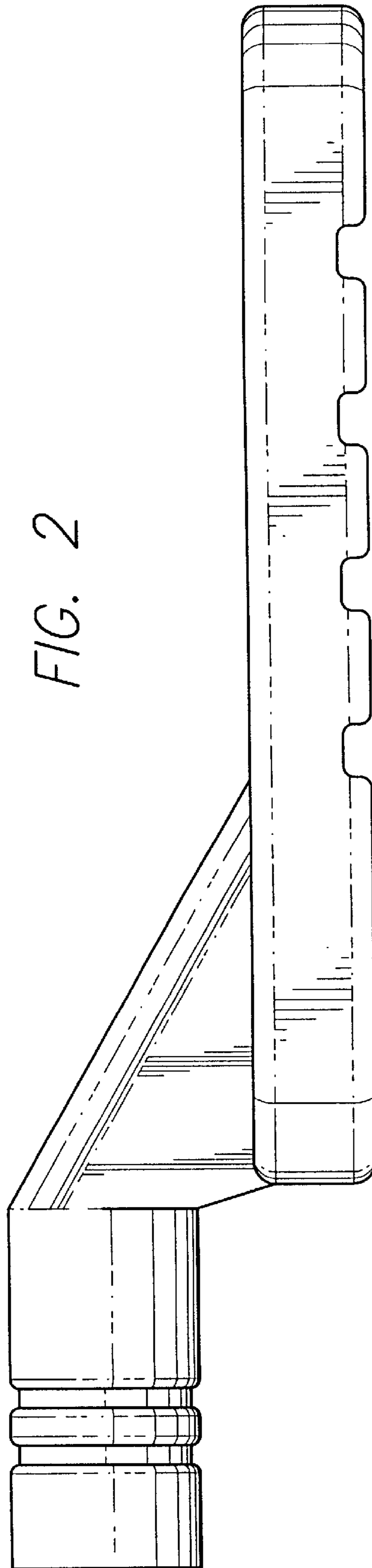


FIG. 1

FIG. 2



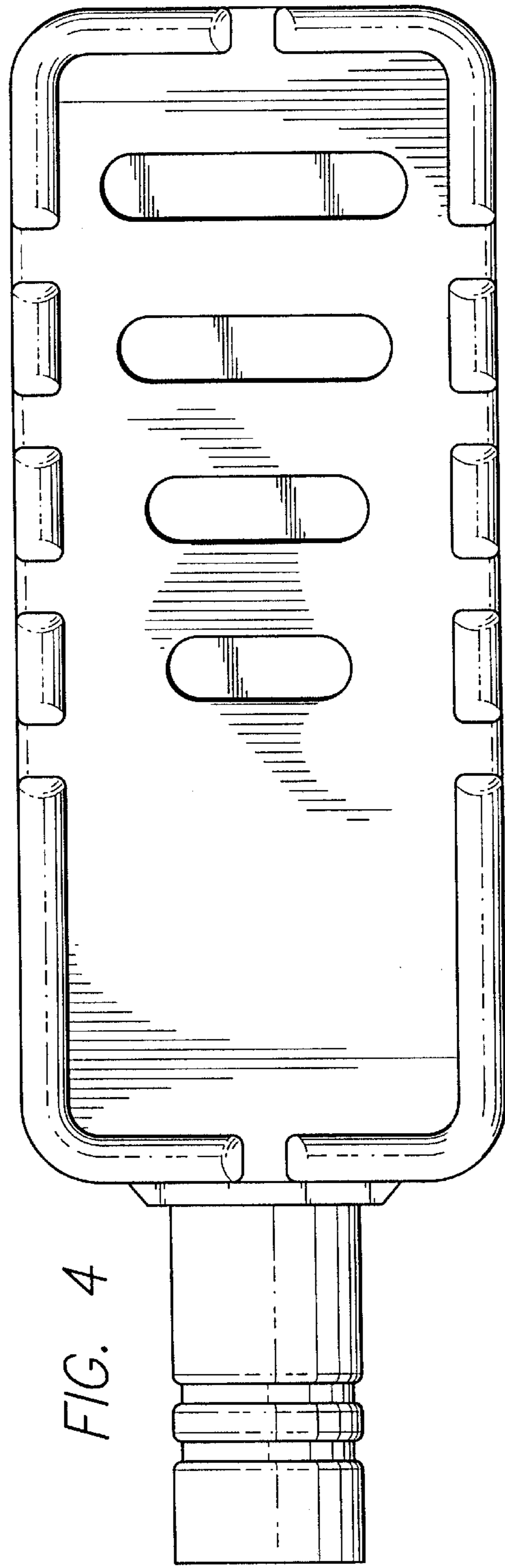
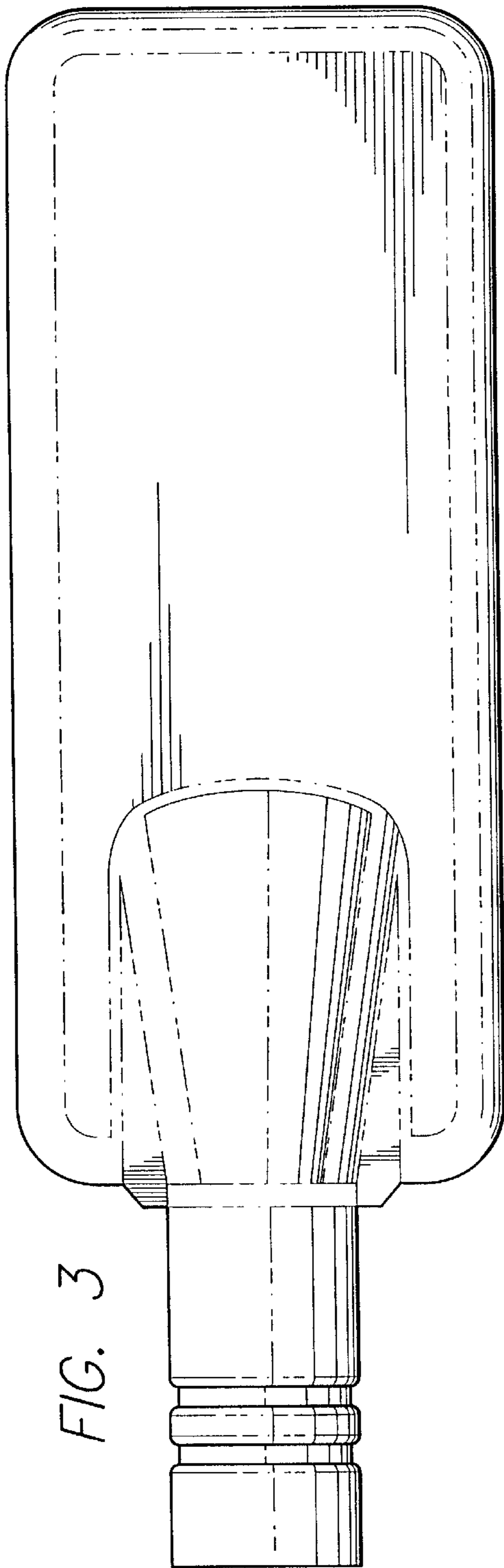


FIG. 5

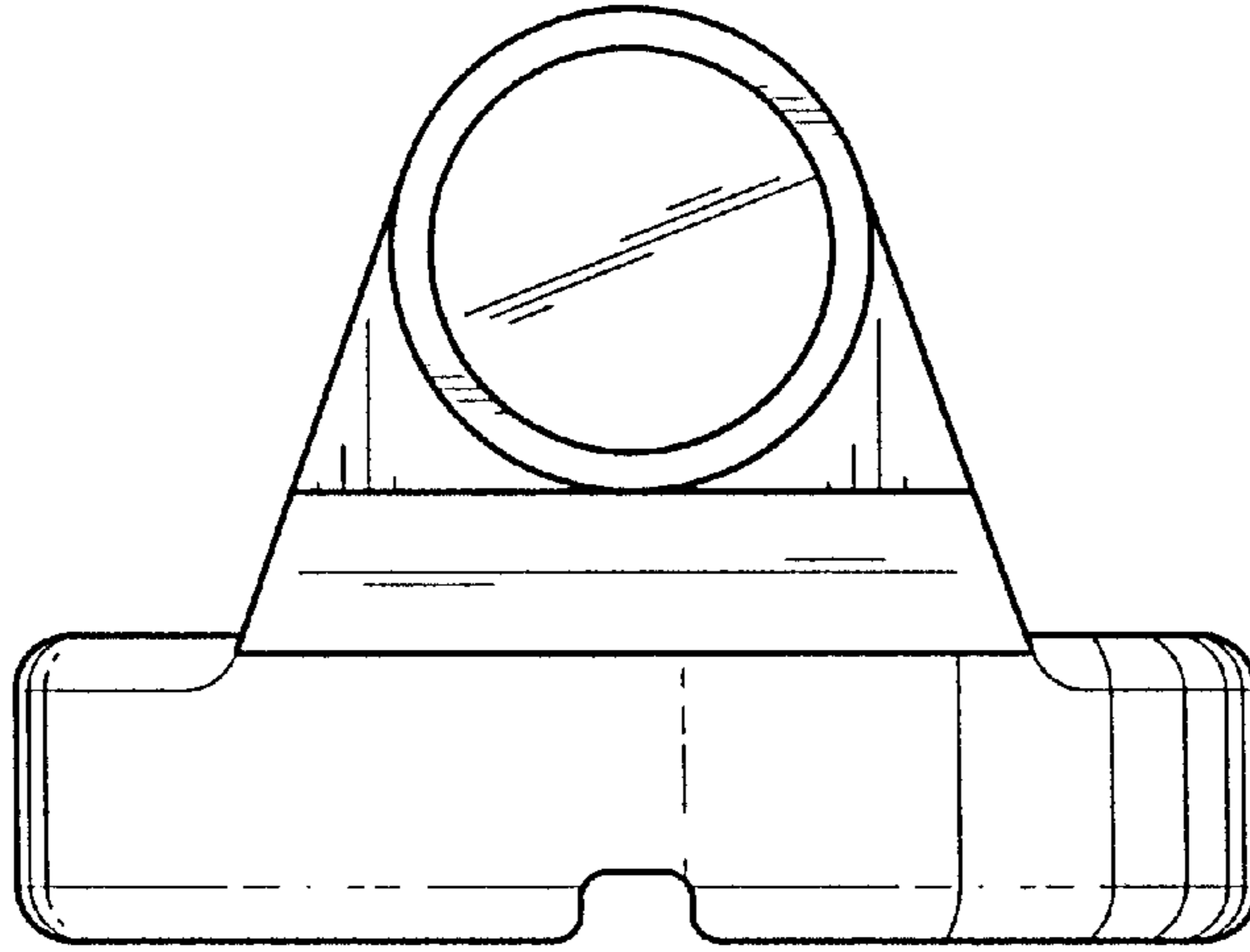


FIG. 6

