



US00D483158S

(12) **United States Design Patent**
Ward

(10) **Patent No.:** **US D483,158 S**

(45) **Date of Patent:** **** Dec. 2, 2003**

(54) **CAT BOX**

(76) **Inventor:** **Vernon Ward**, 5 Bramfield Road,
Lowestoft, Suffolk (GB), NR32 3D5

(**) **Term:** **14 Years**

(21) **Appl. No.:** **29/164,610**

(22) **Filed:** **Jul. 29, 2002**

(51) **LOC (7) Cl.** **30-99**

(52) **U.S. Cl.** **D30/161; D30/108**

(58) **Field of Search** D30/108-112,
D30/114, 118-119, 124-126, 161; D21/507,
508, 511; 119/498-499, 484-485, 28.5,
452-453, 57.8-57.9, 161-170, 482, 496-497,
455-456, 459-461, 464, 472, 475, 481;
D11/145

(56) **References Cited**

U.S. PATENT DOCUMENTS

2,538,778	A	*	1/1951	Halpin	119/497
3,793,989	A	*	2/1974	Clark	119/165
4,095,559	A	*	6/1978	Griffith	119/165
4,886,014	A	*	12/1989	Sheriff	119/166
5,044,325	A	*	9/1991	Miksitz	119/165
5,048,463	A	*	9/1991	Wilson et al.	119/163

5,140,948	A	*	8/1992	Roberts	119/165
5,148,768	A	*	9/1992	Hinton	119/500
D331,649	S	*	12/1992	Saja	D30/161
D340,551	S	*	10/1993	Mitchell, Sr.	D30/109
D350,422	S	*	9/1994	Foster, Sr.	D30/161
D377,549	S	*	1/1997	Long et al.	D30/161
D388,910	S	*	1/1998	Willinger et al.	D30/108
D461,024	S	*	7/2002	Newdoll	D30/108
D468,872	S	*	1/2003	Woehler	D30/108

* cited by examiner

Primary Examiner—Cathy Anne MacCormac
(74) *Attorney, Agent, or Firm*—Richard L. Mikesell

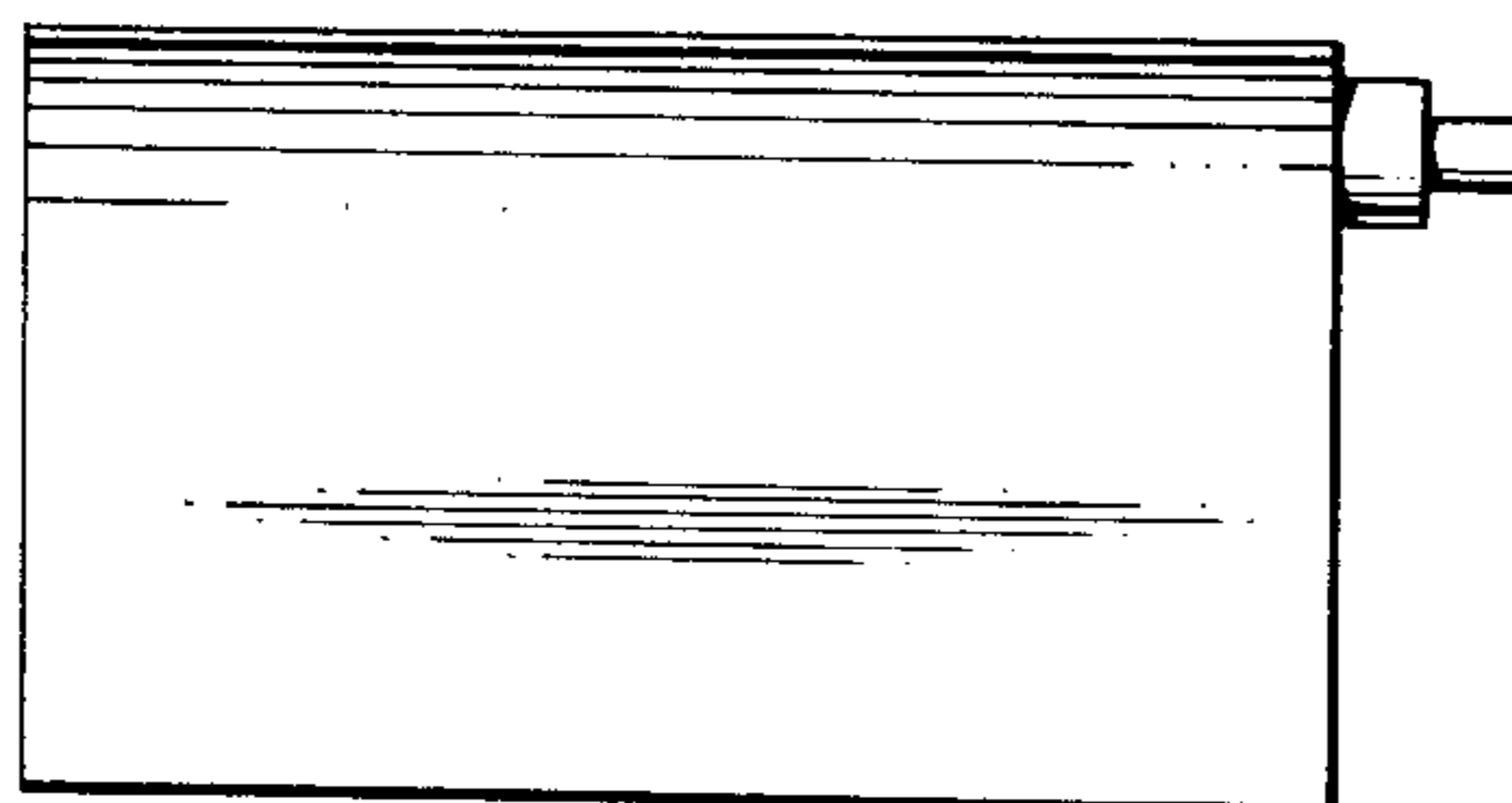
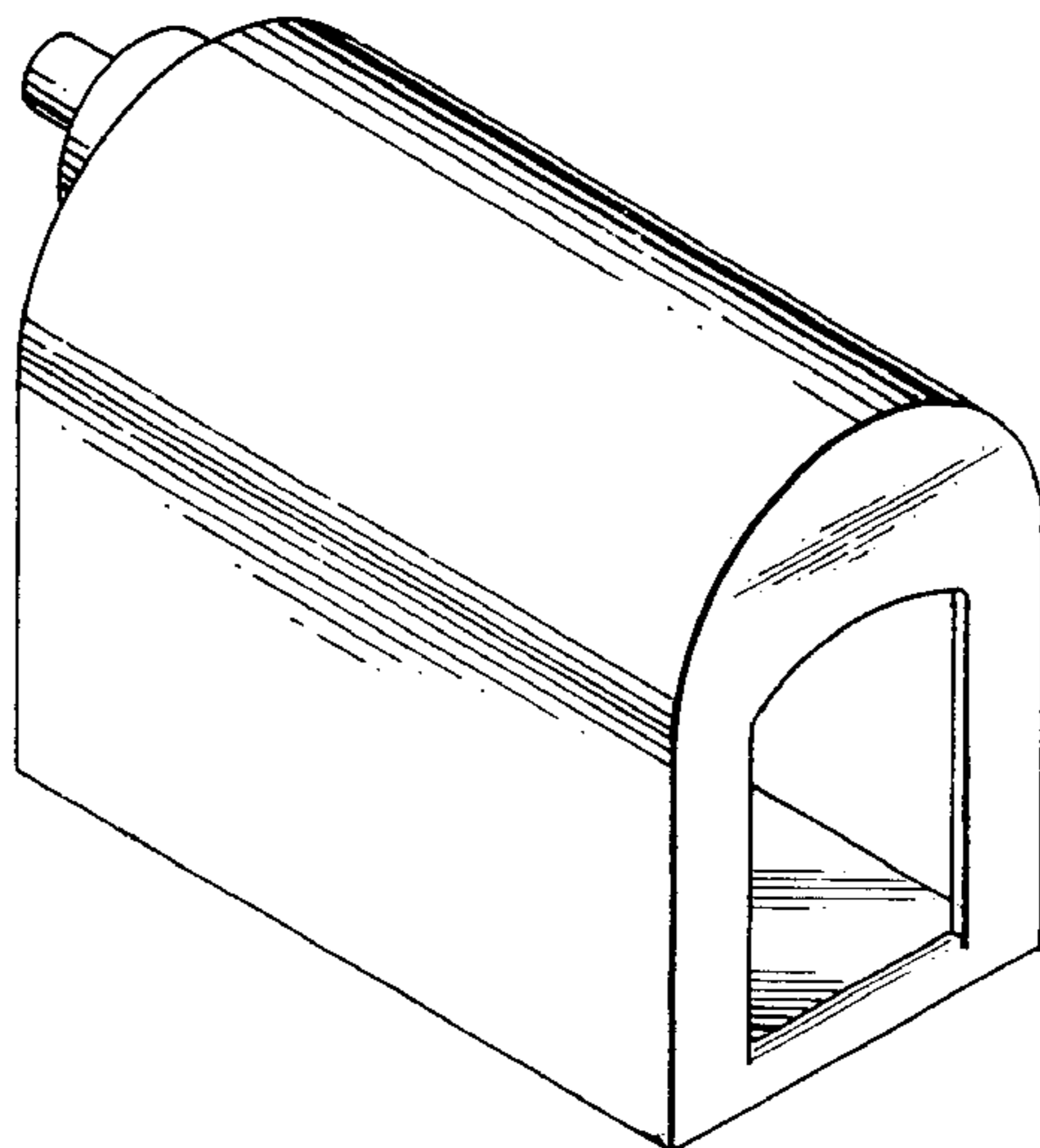
(57) **CLAIM**

The ornamental design for a cat box, as shown and described.

DESCRIPTION

FIG. 1 is a Top, left perspective view;
FIG. 2 is a Top plan view thereof;
FIG. 3 is a Side elevation view thereof;
FIG. 4 is a Front elevation view thereof;
FIG. 5 is a Bottom plan view thereof; and,
FIG. 6 is a Rear elevational view thereof.

1 Claim, 1 Drawing Sheet



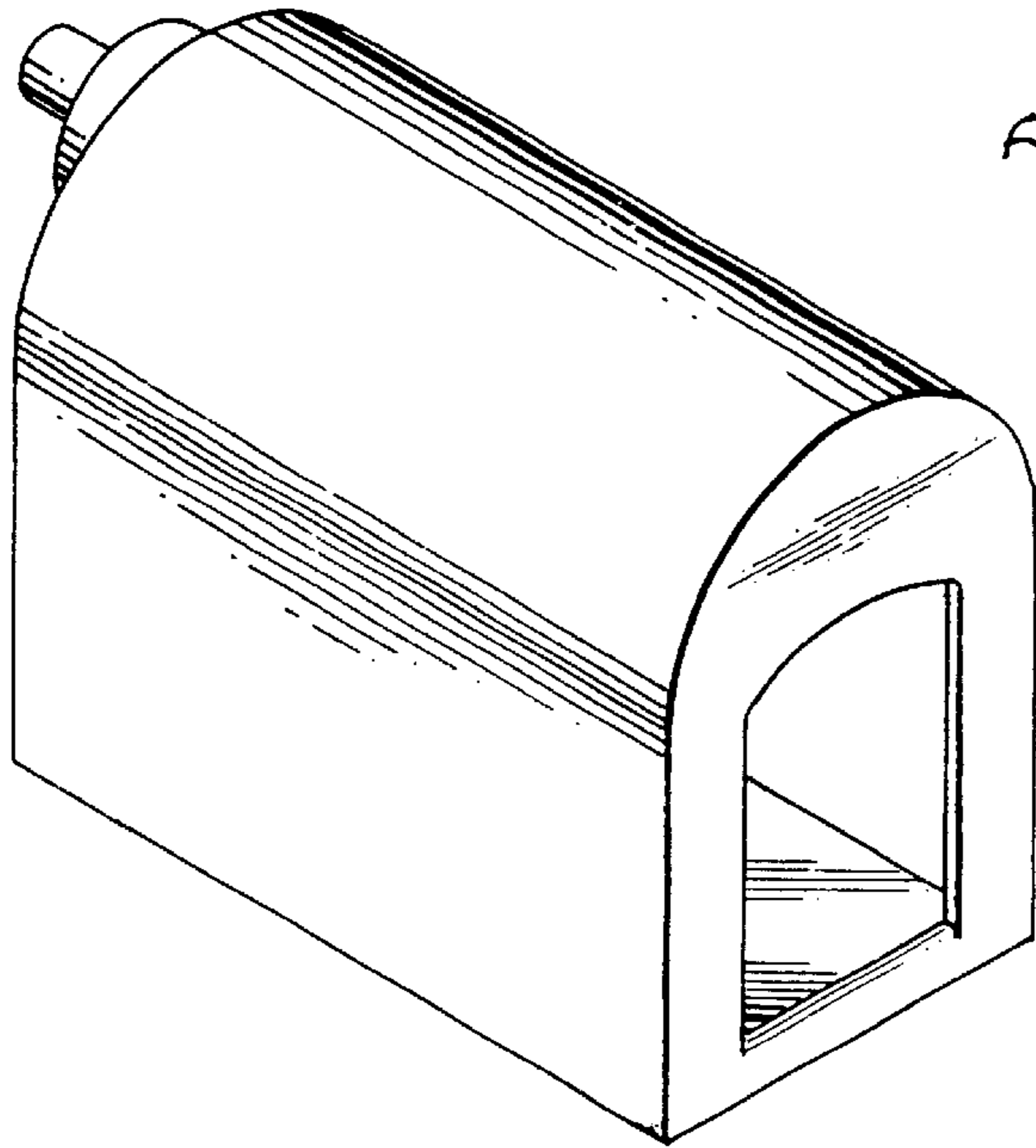


FIG. 1

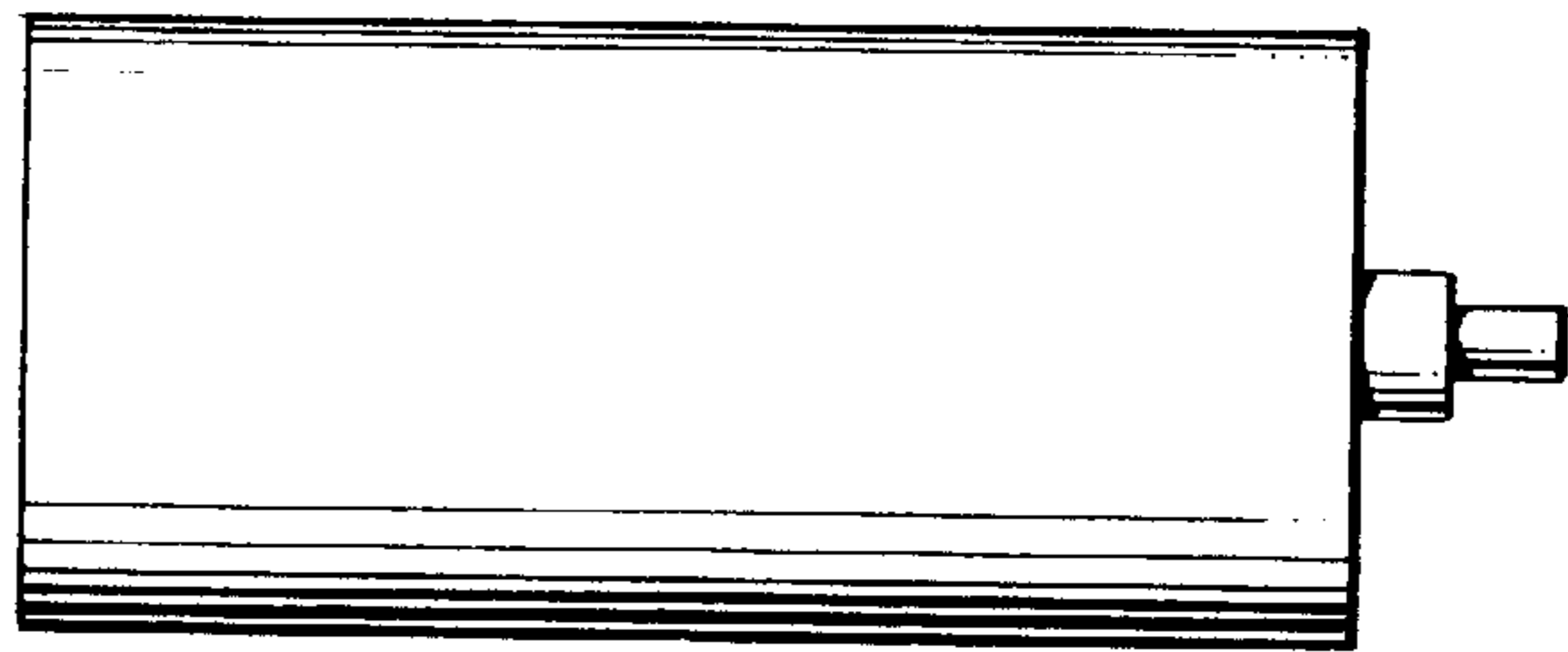


FIG. 2

FIG. 3

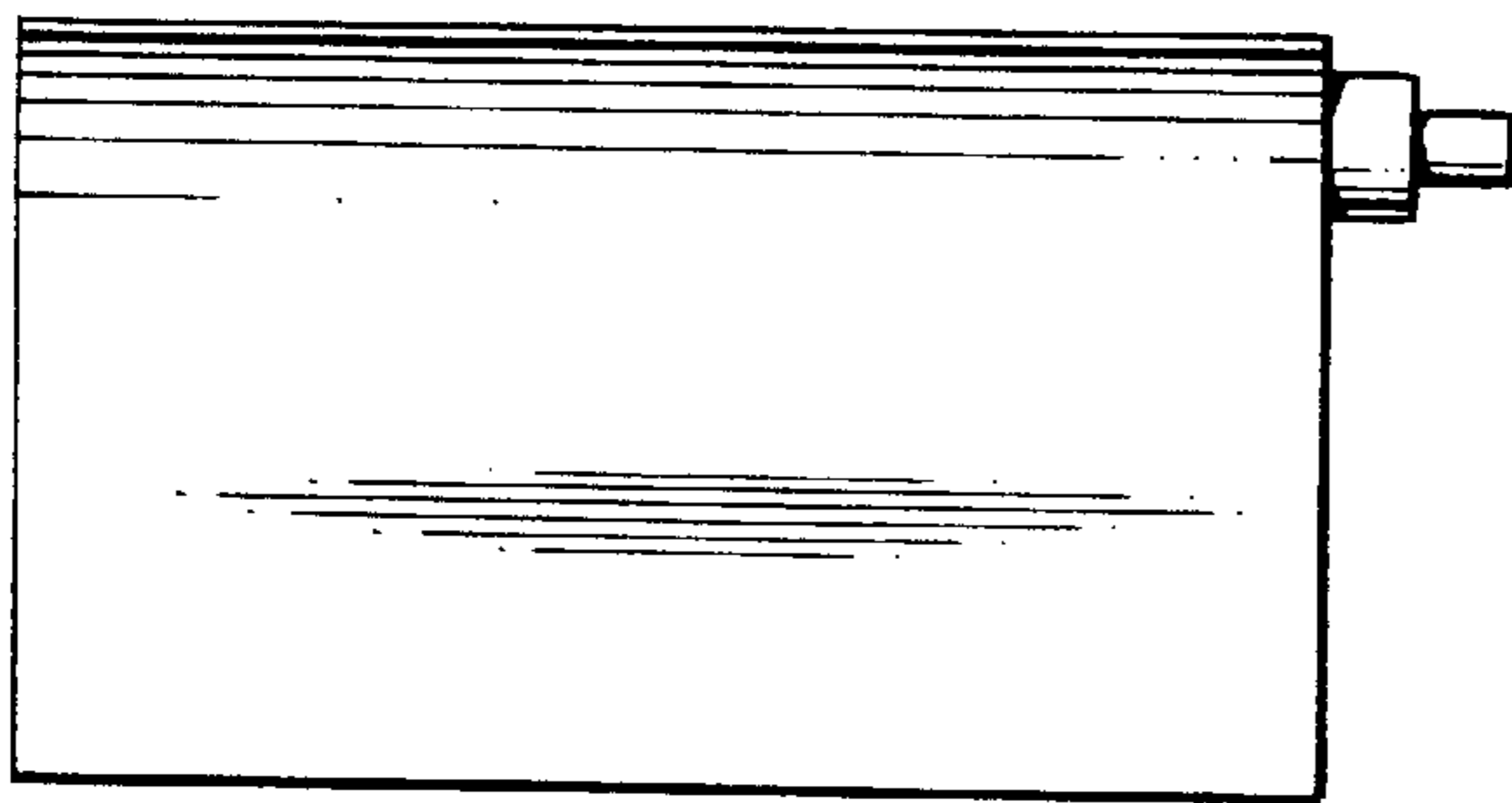


FIG. 4

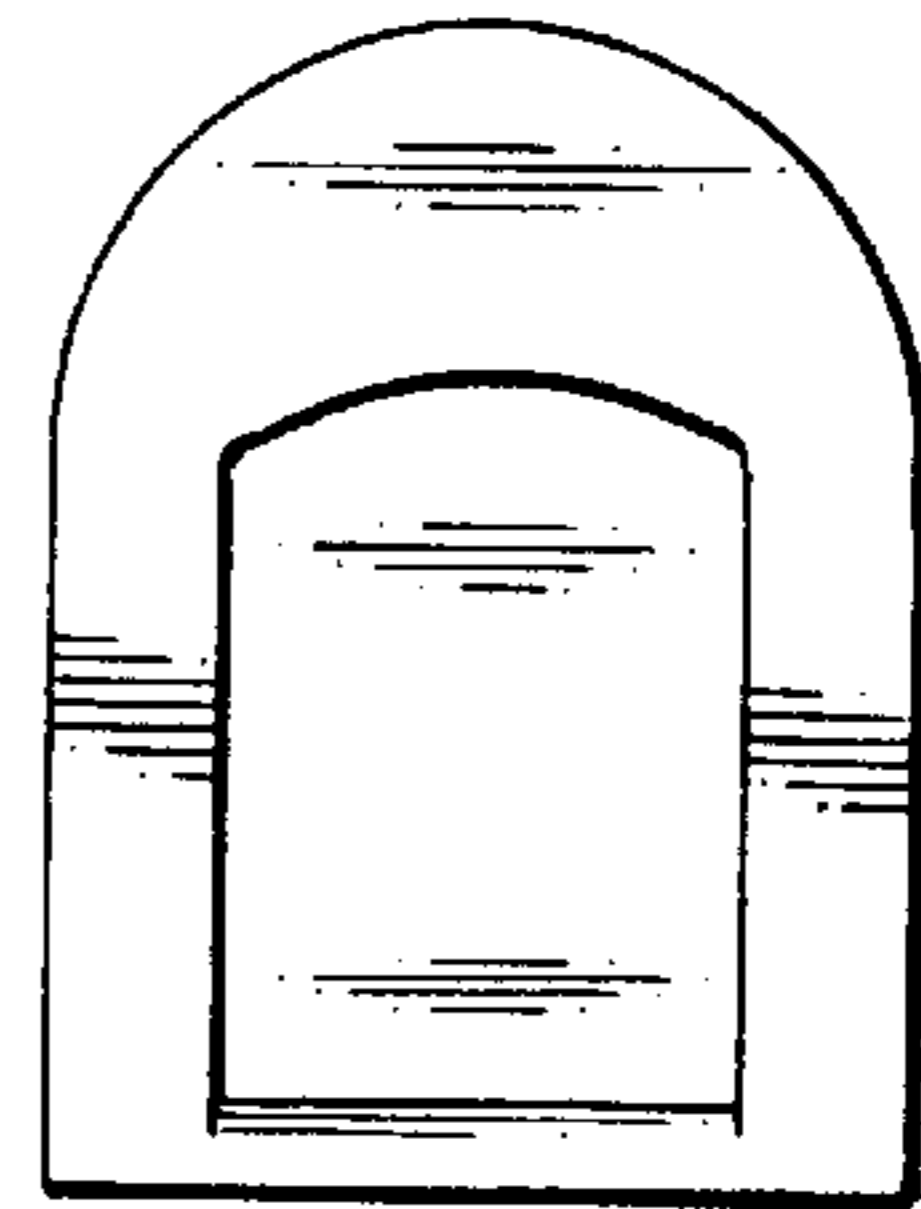


FIG. 5

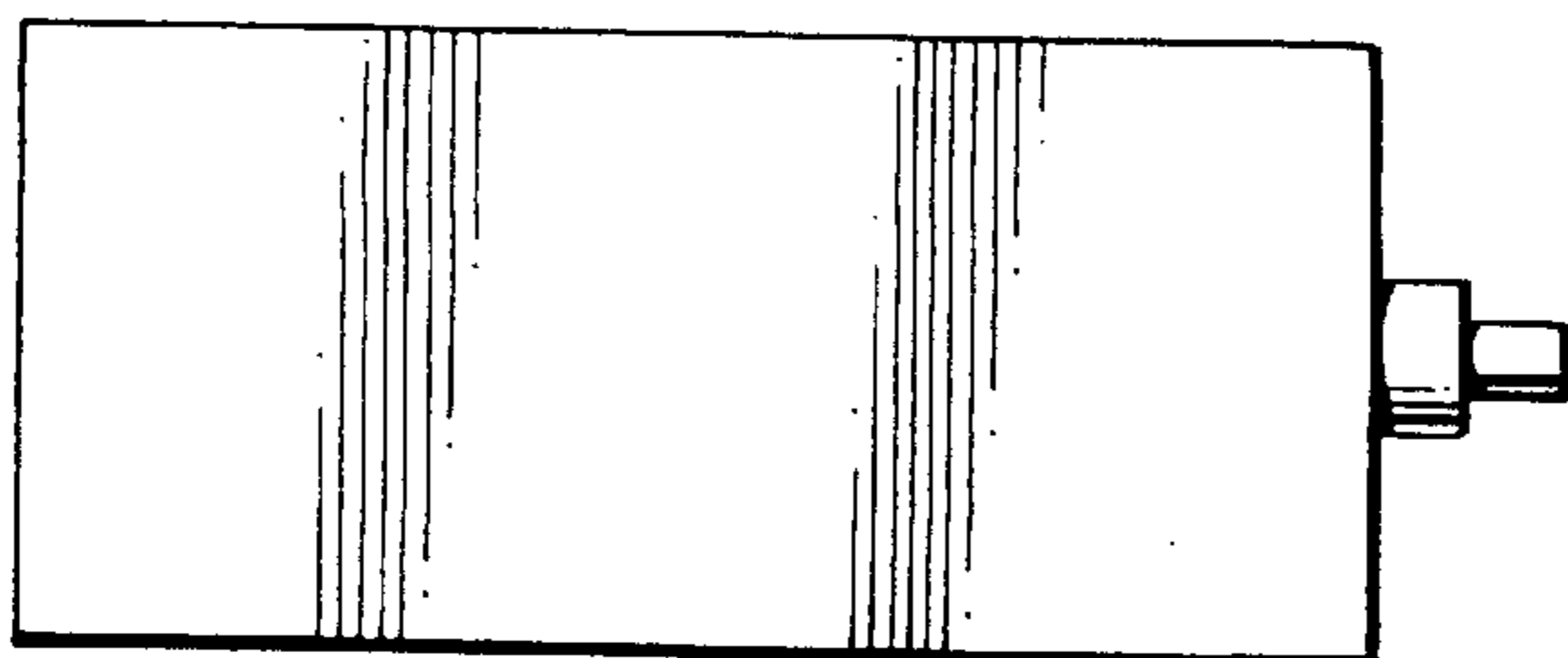


FIG. 6

