



US00D483157S

(12) **United States Design Patent**  
**Yang**

(10) **Patent No.:** **US D483,157 S**

(45) **Date of Patent:** **\*\* Dec. 2, 2003**

(54) **PERCH FOR A BIRD**

(76) Inventor: **Weiping Yang**, Yuehu Village, Henghu Precinct, Fucheng Town, Taishan City, Guangdong (CN)

(\*\*) Term: **14 Years**

(21) Appl. No.: **29/165,314**

(22) Filed: **Aug. 8, 2002**

(51) **LOC (7) Cl.** ..... **30-02**

(52) **U.S. Cl.** ..... **D30/119**

(58) **Field of Search** ..... D30/119, 110-111, D30/124-128, 123, 133; 119/57.8, 57.9, 69.5, 52.2, 468, 537, 531, 469

(56) **References Cited**

**U.S. PATENT DOCUMENTS**

1,575,101 A	*	3/1926	Edwards	.....	119/537
D174,580 S	*	4/1955	Kiehl	.....	D30/119
D292,334 S	*	10/1987	Courteau	.....	D30/119
D400,314 S	*	10/1998	Nicolai et al.	.....	D30/119

D437,979 S	*	2/2001	Lian	.....	D30/119
D459,840 S	*	7/2002	Lian	.....	D30/124
D466,656 S	*	10/2002	Kuelbs et al.	.....	D30/133
6,463,884 B1	*	10/2002	Lien	.....	119/537

\* cited by examiner

*Primary Examiner*—Cathy Anne MacCormac  
(74) *Attorney, Agent, or Firm*—Hahn Loeser + Parks LLP; Stephen L. Grant

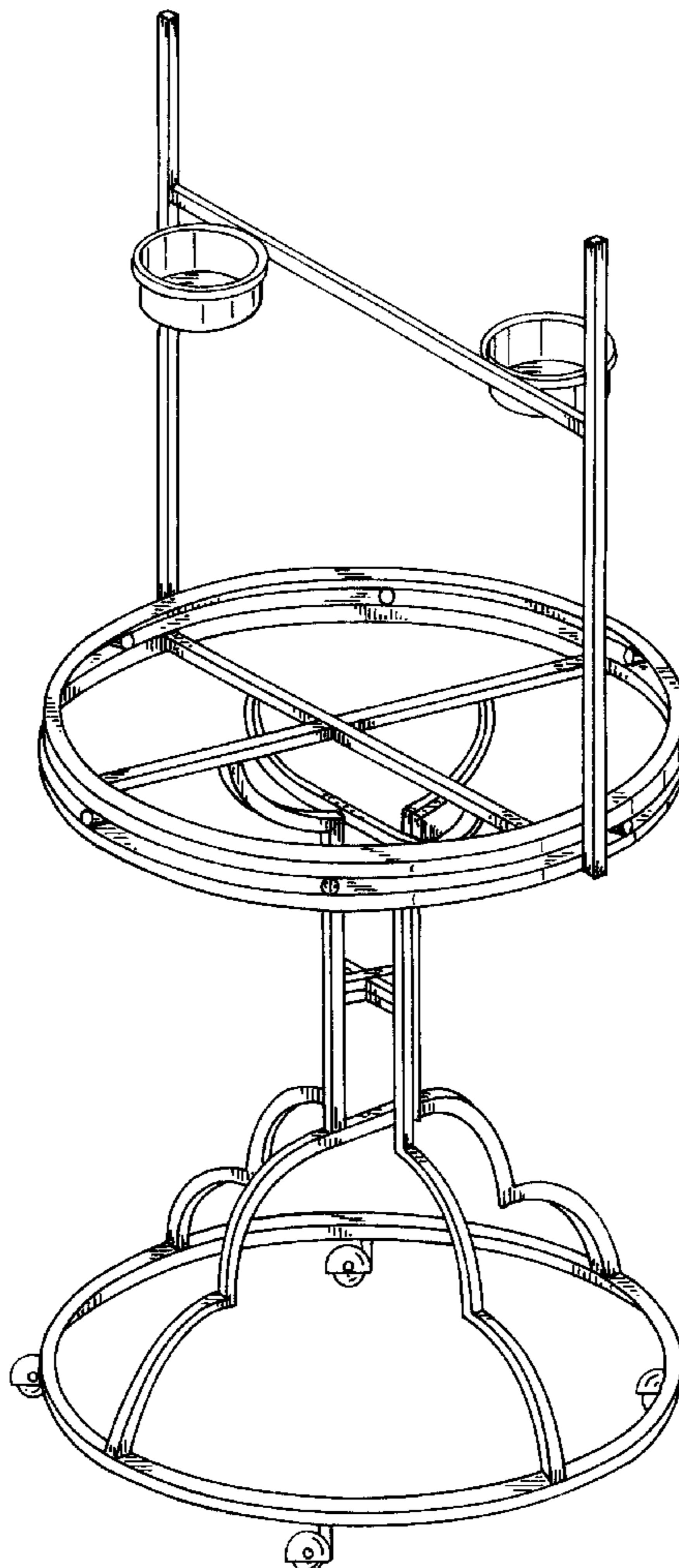
(57) **CLAIM**

The ornamental design for a perch for a bird, as shown and described.

**DESCRIPTION**

FIG. 1 is a perspective view of the perch for a bird; FIG. 2 is a front elevational view, the rear view being a mirror image thereof; FIG. 3 is a side elevational view, the opposite side view being a mirror image thereof; and, FIG. 4 is a top view.  
The bottom of the article is not claimed.

**1 Claim, 2 Drawing Sheets**



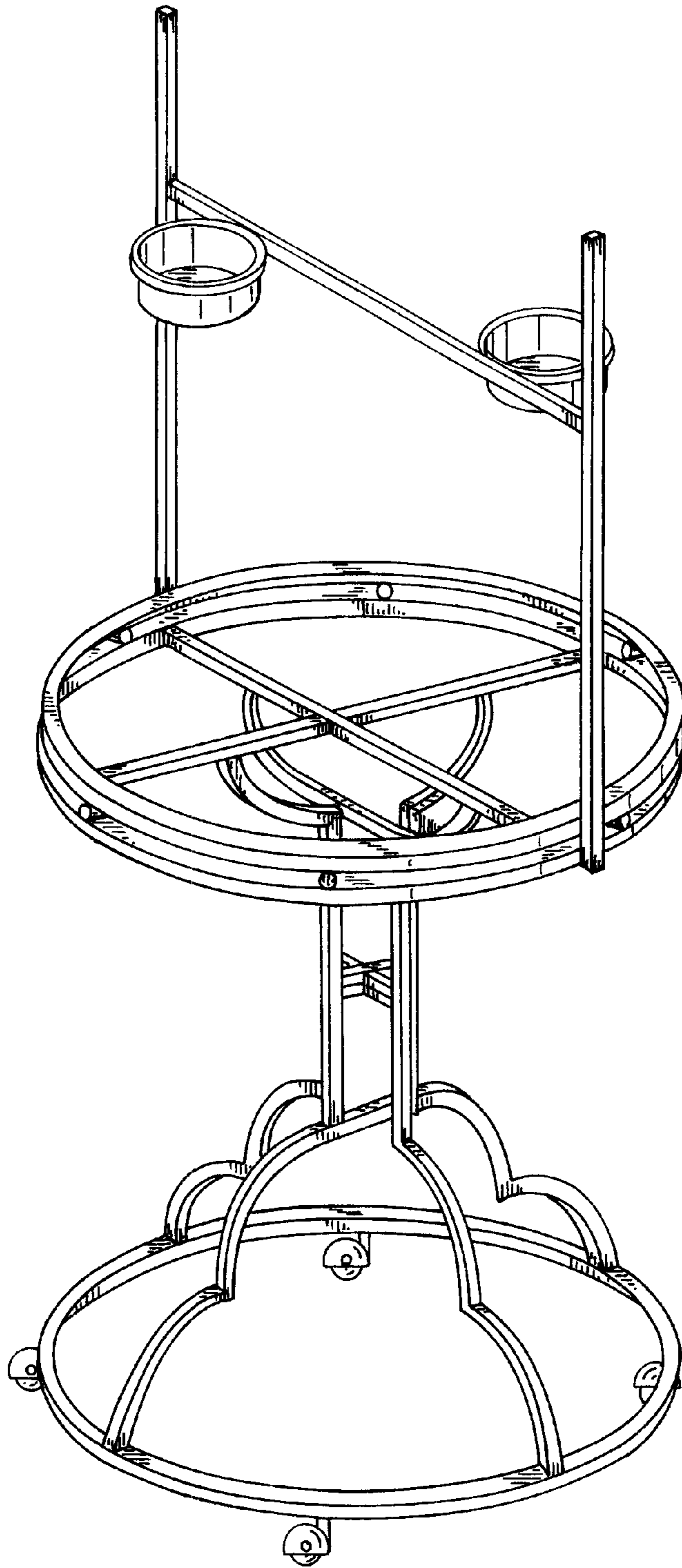


FIG.-1

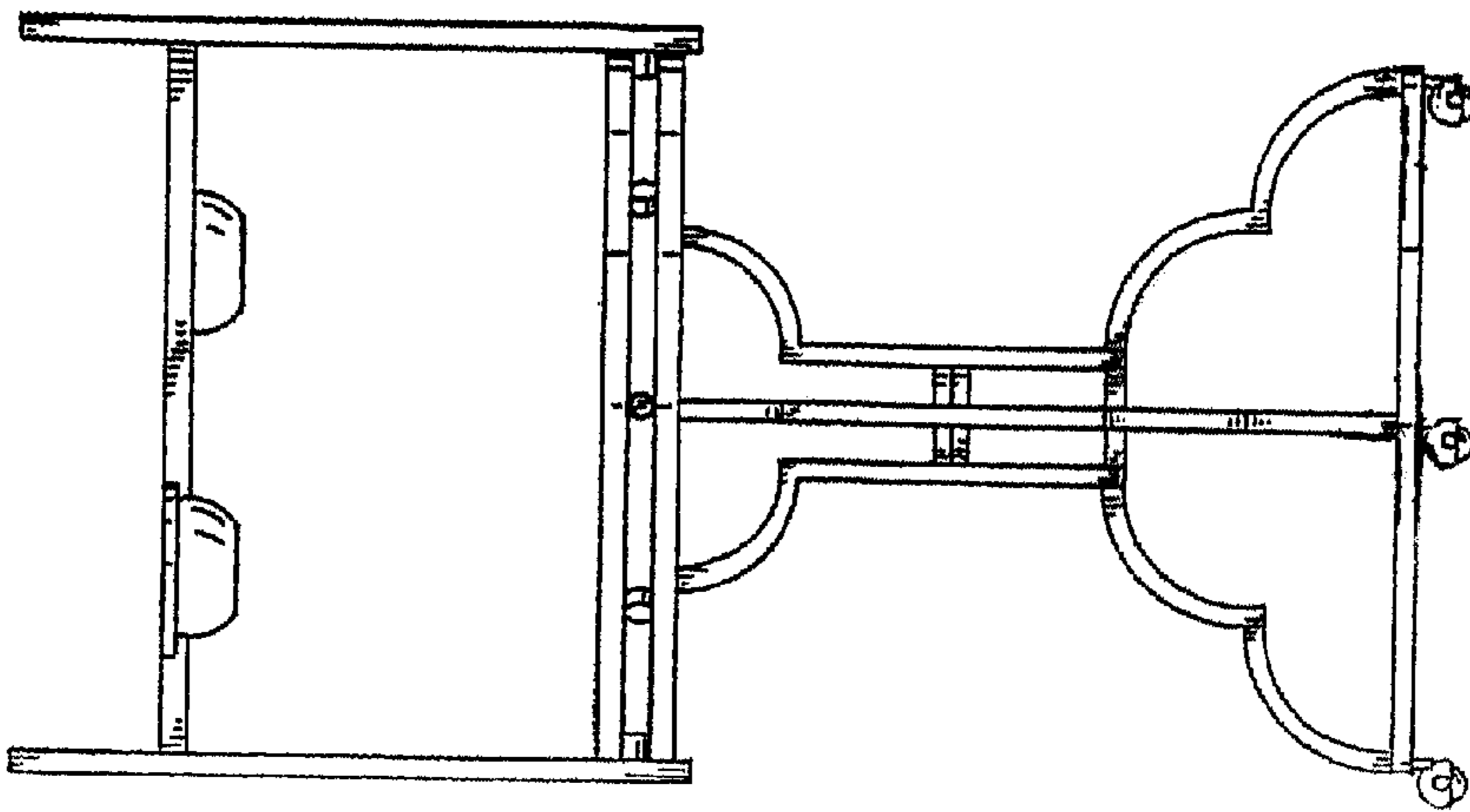


FIG. -2

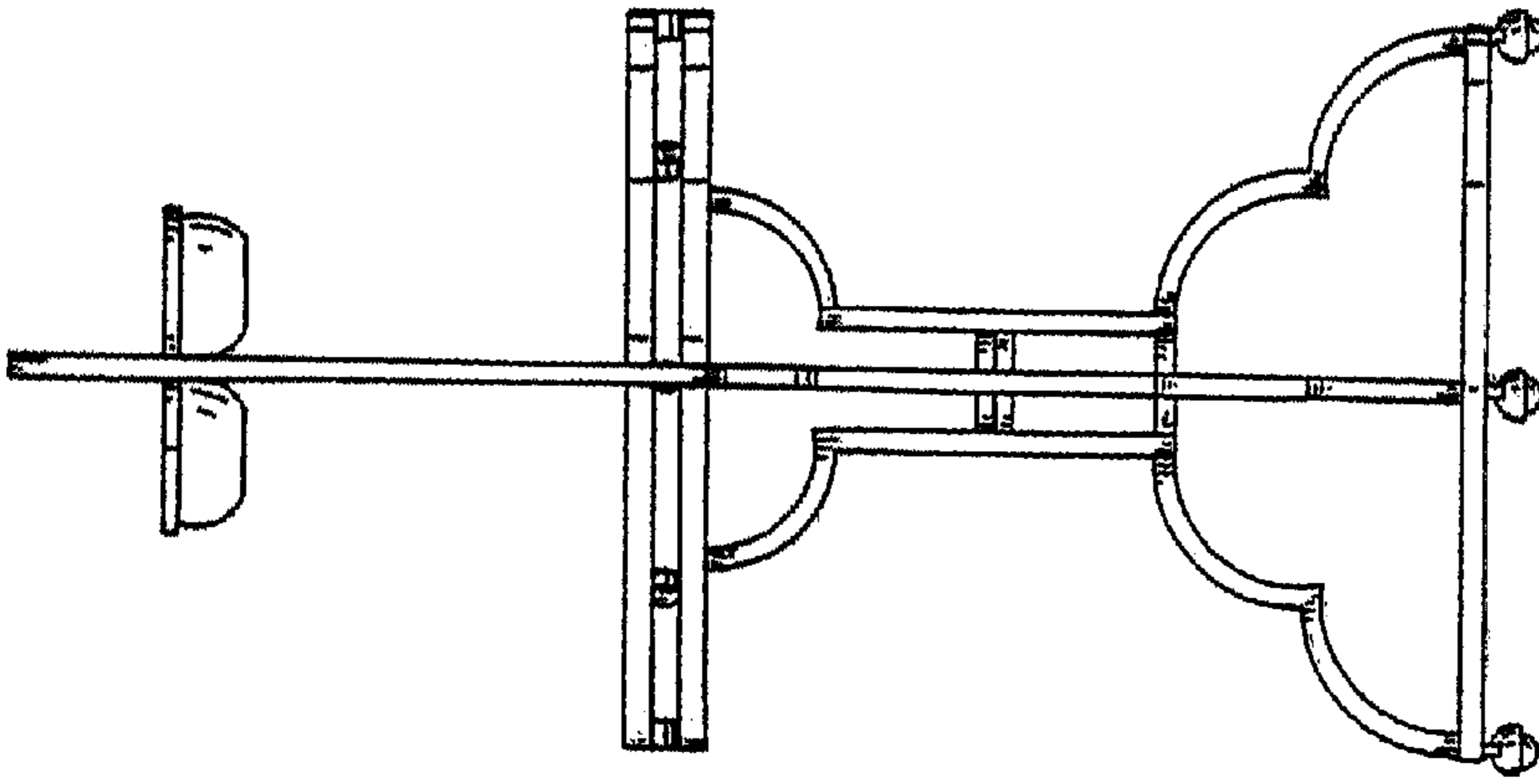


FIG. -3

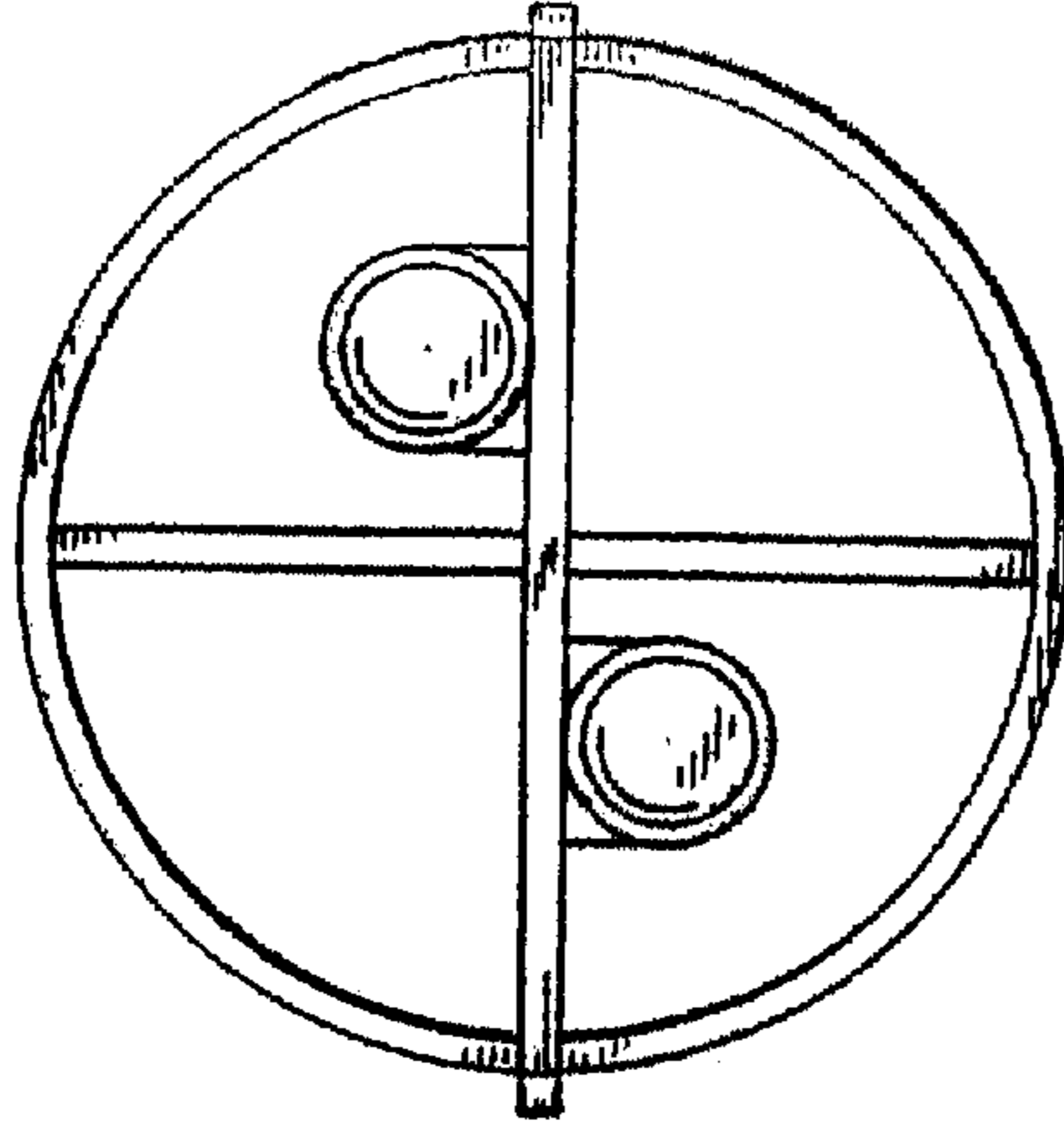


FIG. -4