



US00D483154S

(12) **United States Design Patent**  
**Kim**

(10) **Patent No.:** **US D483,154 S**

(45) **Date of Patent:** **\*\* Dec. 2, 2003**

(54) **NAIL CLIPPERS**

(75) Inventor: **Hyung Kyu Kim**, Chungcheongnam-do (KR)

(73) Assignee: **Threeseven Corporation (KR)**

(\*\*) Term: **14 Years**

(21) Appl. No.: **29/152,129**

(22) Filed: **Dec. 18, 2001**

(30) **Foreign Application Priority Data**

Jul. 9, 2001 (KR) ..... 2001-18826

(51) **LOC (7) Cl.** ..... **28-03**

(52) **U.S. Cl.** ..... **D28/60**

(58) **Field of Search** ..... D28/56, 57, 59, D28/60, 62; 132/73, 73.5, 75, 75.4, 75.5, 75.3, 75.6, 76.2; 30/26, 28

(56) **References Cited**

**U.S. PATENT DOCUMENTS**

- 843,383 A \* 2/1907 Wooster ..... 30/28
- D156,233 S \* 11/1949 Henkel ..... D28/60
- 2,774,138 A \* 12/1956 Gowdey ..... 30/28
- D210,505 S \* 3/1968 Leopoldi ..... D28/60

- 5,063,666 A \* 11/1991 Tsay ..... 30/28
- 5,074,041 A \* 12/1991 Wagner ..... 30/28
- 5,226,849 A \* 7/1993 Johnson ..... 30/28
- 5,490,327 A \* 2/1996 Ohori ..... 30/28
- 5,632,288 A \* 5/1997 Webb ..... 132/75.5
- D437,456 S \* 2/2001 Kim ..... D28/60

\* cited by examiner

*Primary Examiner*—Ted Shooman

*Assistant Examiner*—C Tuttle

(74) *Attorney, Agent, or Firm*—Liniak, Berenato & White, LLC

(57) **CLAIM**

The ornamental design for nail clippers, as shown and described.

**DESCRIPTION**

FIG. 1 is a perspective view of my nail clippers;  
 FIG. 2 is a front elevational view;  
 FIG. 3 is a rear elevational view;  
 FIG. 4 is a left side elevational view;  
 FIG. 6 is a right side elevational view;  
 FIG. 7 is a top plan view;  
 FIG. 8 is a bottom plan view; and,  
 FIG. 9 is a perspective view in a second orientation.

**1 Claim, 4 Drawing Sheets**

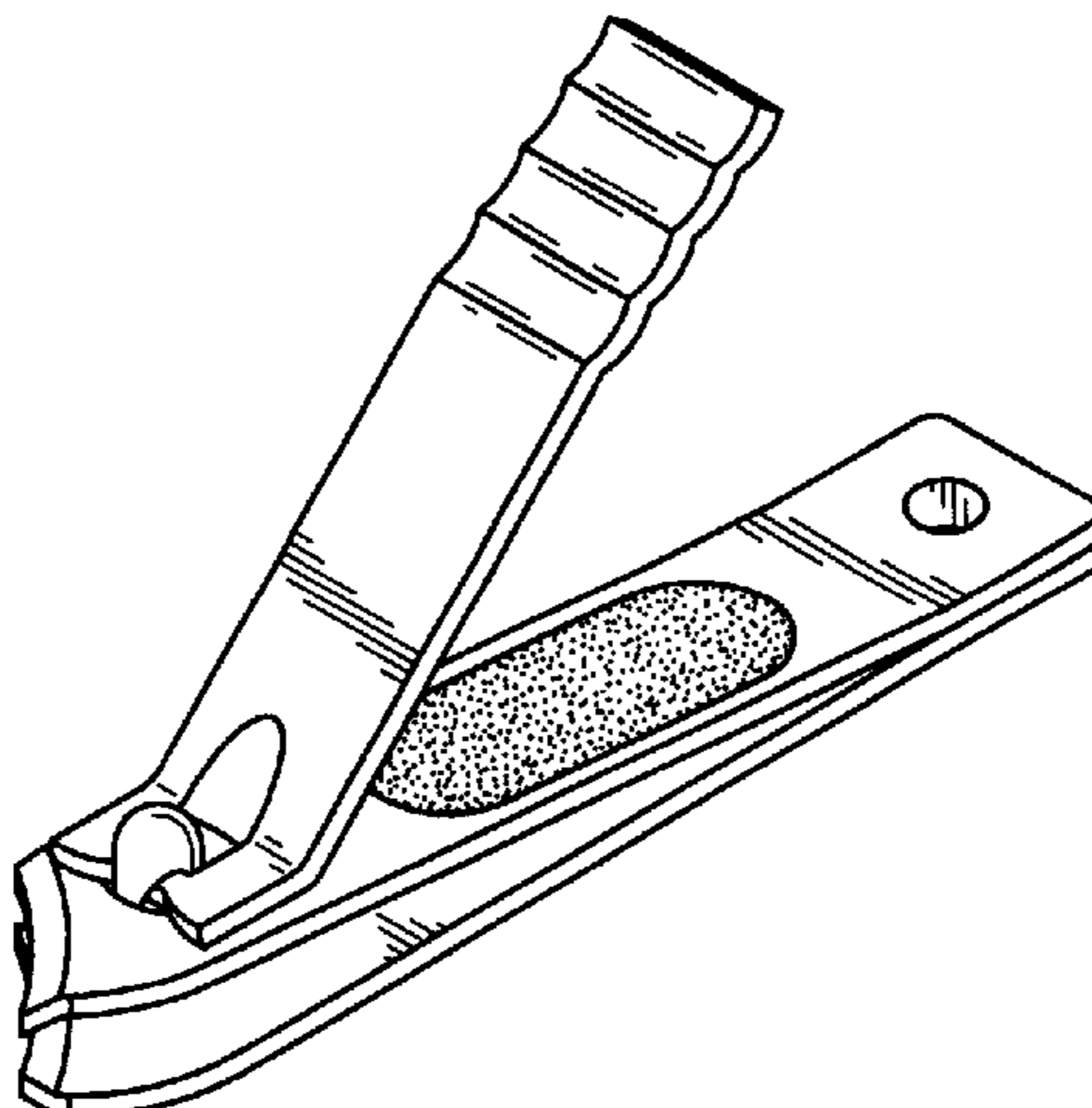
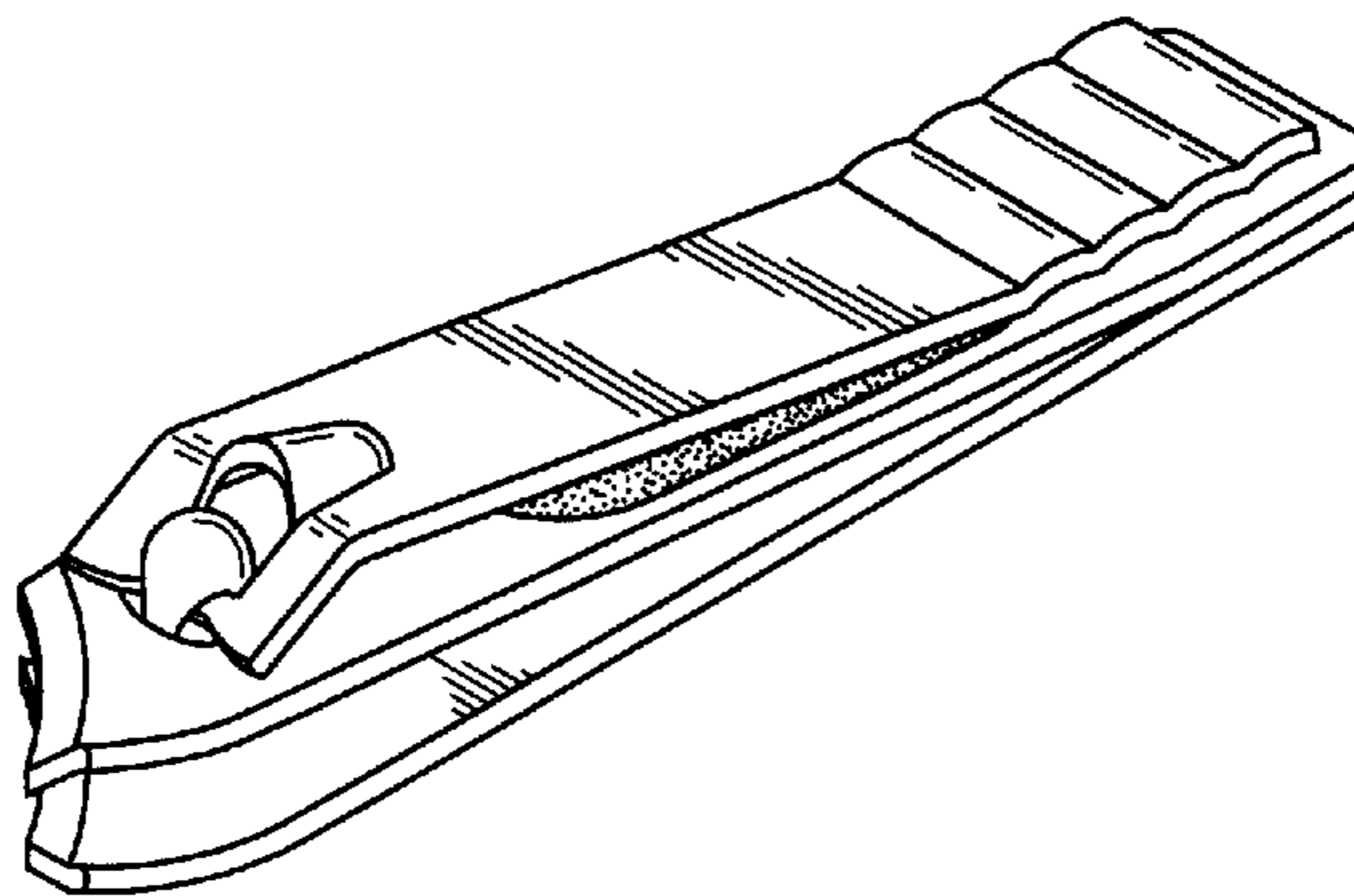


Fig. 1

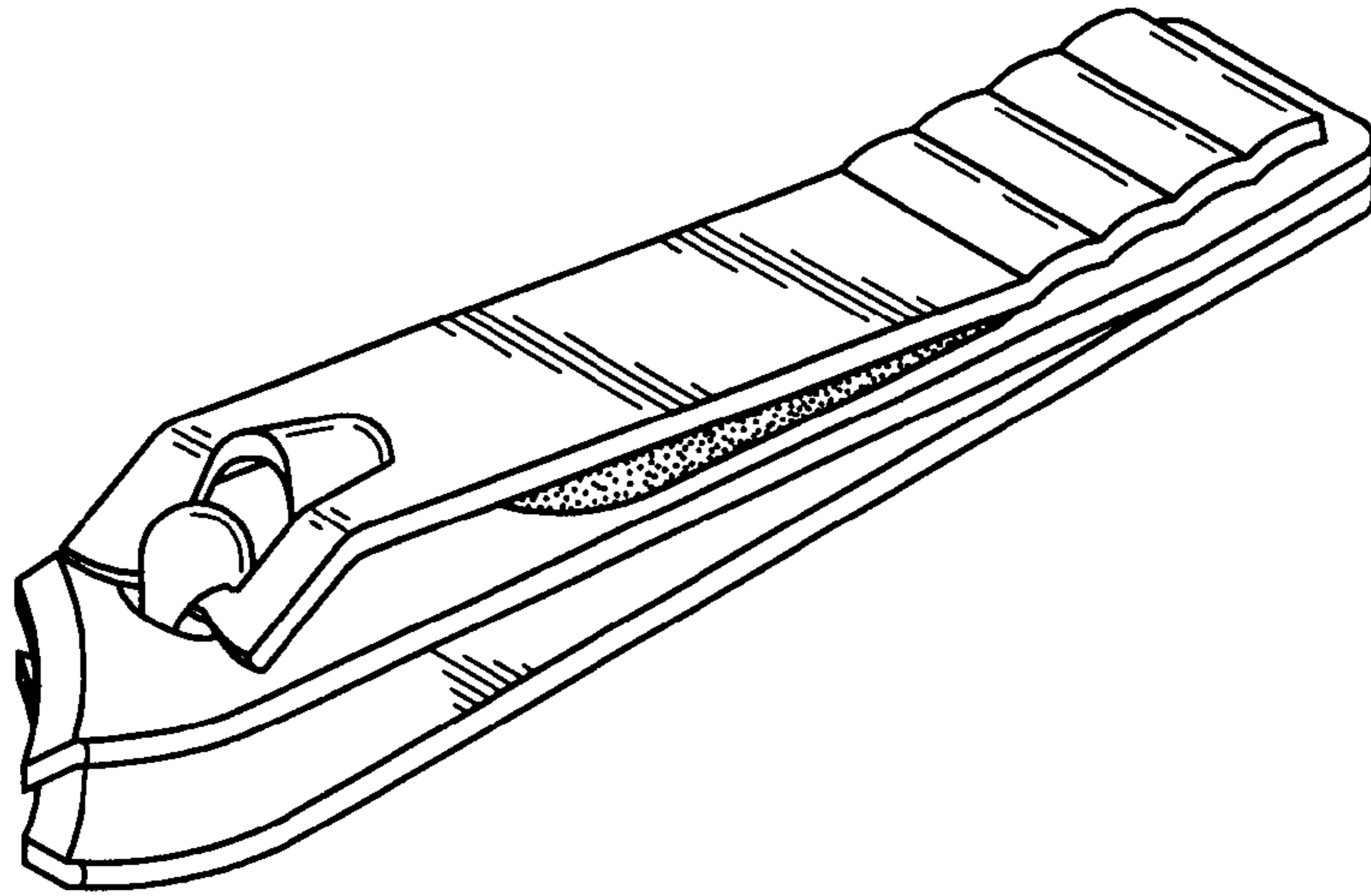


Fig. 2

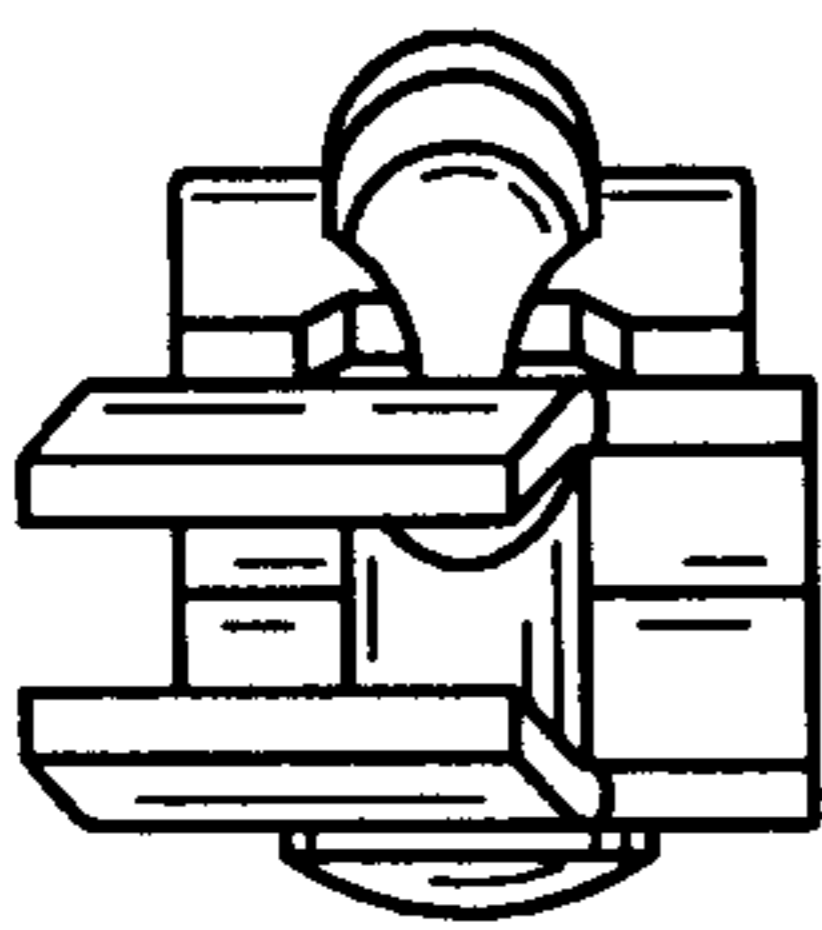


Fig. 3

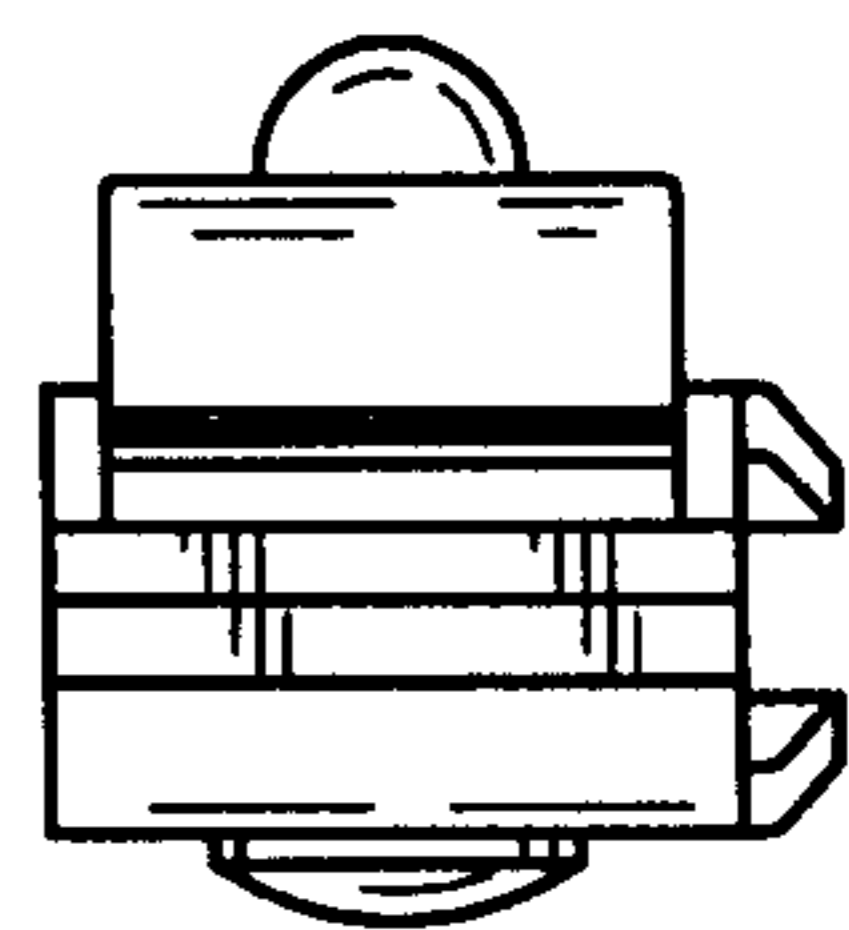


Fig. 4

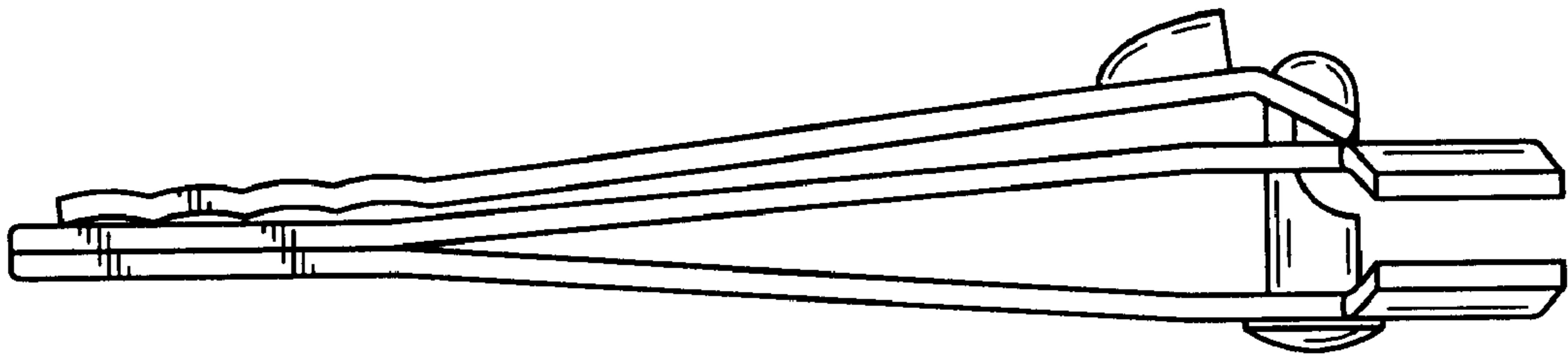


Fig. 5

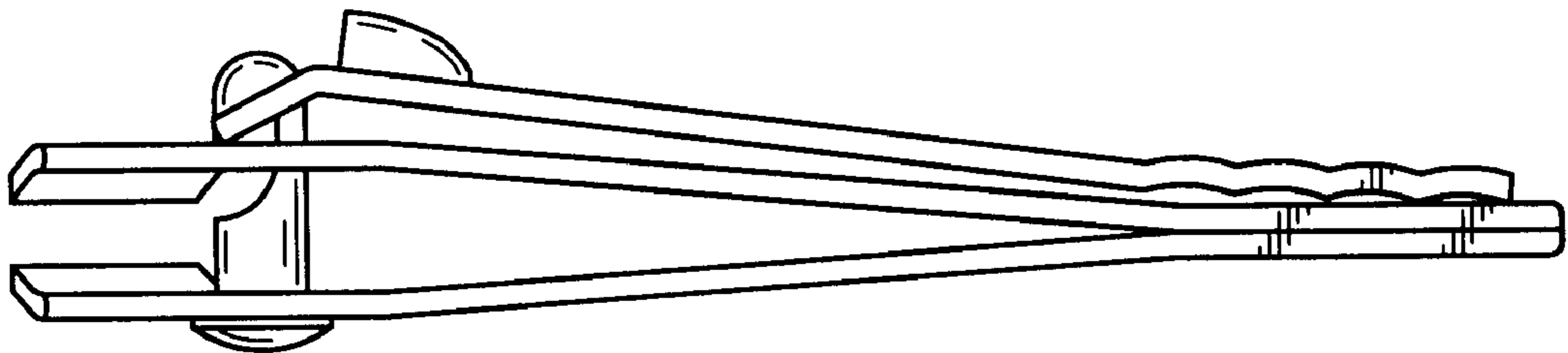


Fig. 6

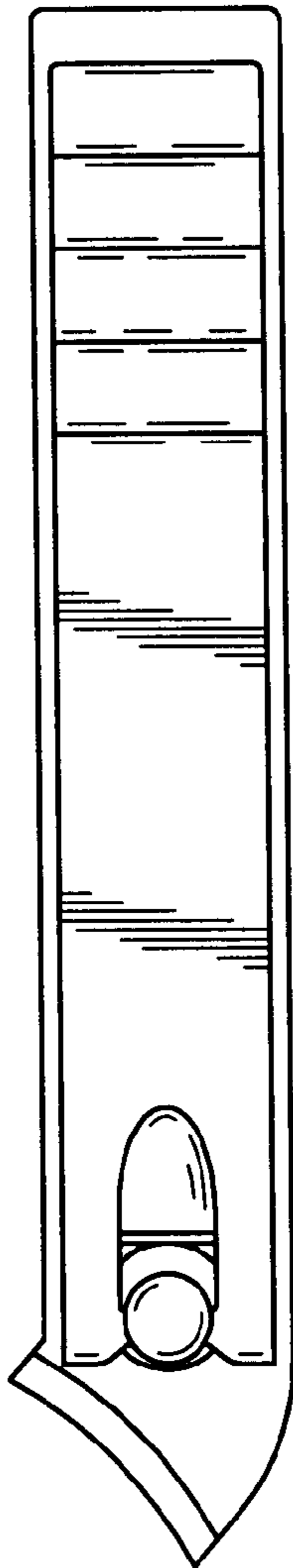


Fig. 7

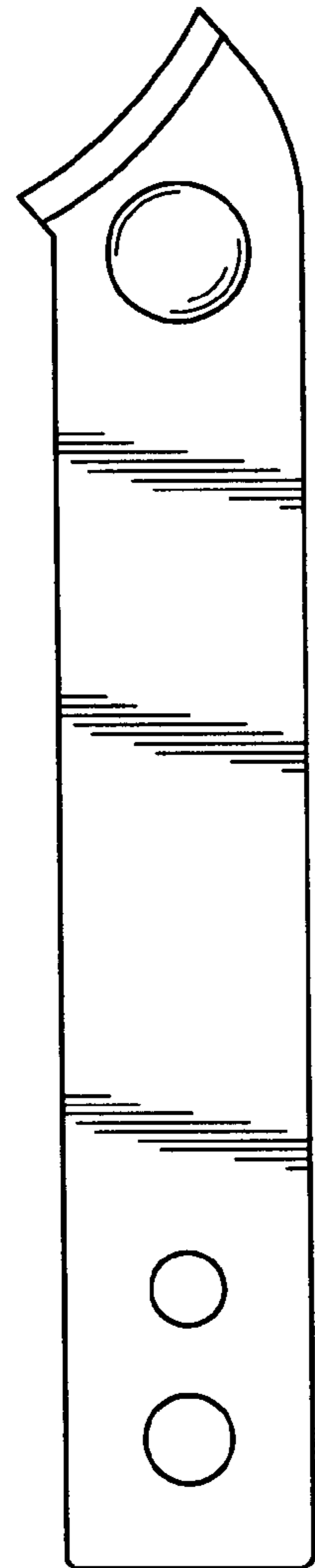


Fig. 8

