



US00D483151S

(12) **United States Design Patent**  
**Walker et al.**

(10) **Patent No.:** **US D483,151 S**

(45) **Date of Patent:** **\*\* Dec. 2, 2003**

(54) **HAIR CLIP**

(75) Inventors: **Lindsey J. Walker**, London (GB);  
**Shelley-Anne Salisbury**, London (GB)

(73) Assignee: **Linshell Holdings Limited**, London (GB)

(\*\*) Term: **14 Years**

(21) Appl. No.: **29/173,851**

(22) Filed: **Jan. 8, 2003**

(51) **LOC (7) Cl.** ..... **28-03**

(52) **U.S. Cl.** ..... **D28/40**

(58) **Field of Search** ..... D28/40, 39, 41,  
D28/42, 43; 132/277, 273-284, 231, 234,  
252, 260, 138, 133; D8/395

(56) **References Cited**

**U.S. PATENT DOCUMENTS**

3,126,895	A	*	3/1964	Leclabart	.....	132/234
D210,860	S	*	4/1968	Schellens	.....	D28/40
4,632,133	A	*	12/1986	Losenno	.....	132/231
5,494,060	A	*	2/1996	Potut	.....	132/277
5,975,092	A	*	11/1999	Tsai	.....	132/275
5,988,184	A	*	11/1999	Shu	.....	132/277
6,035,863	A	*	3/2000	Mao	.....	132/273

6,135,125	A	*	10/2000	Sartena	.....	132/275
6,142,159	A	*	11/2000	Lloyd	.....	132/278
6,360,752	B1	*	3/2002	Chang	.....	132/277

\* cited by examiner

*Primary Examiner*—Lucy Lieberman

(74) *Attorney, Agent, or Firm*—Dickstein Shapiro Morin & Oshinsky, LLP

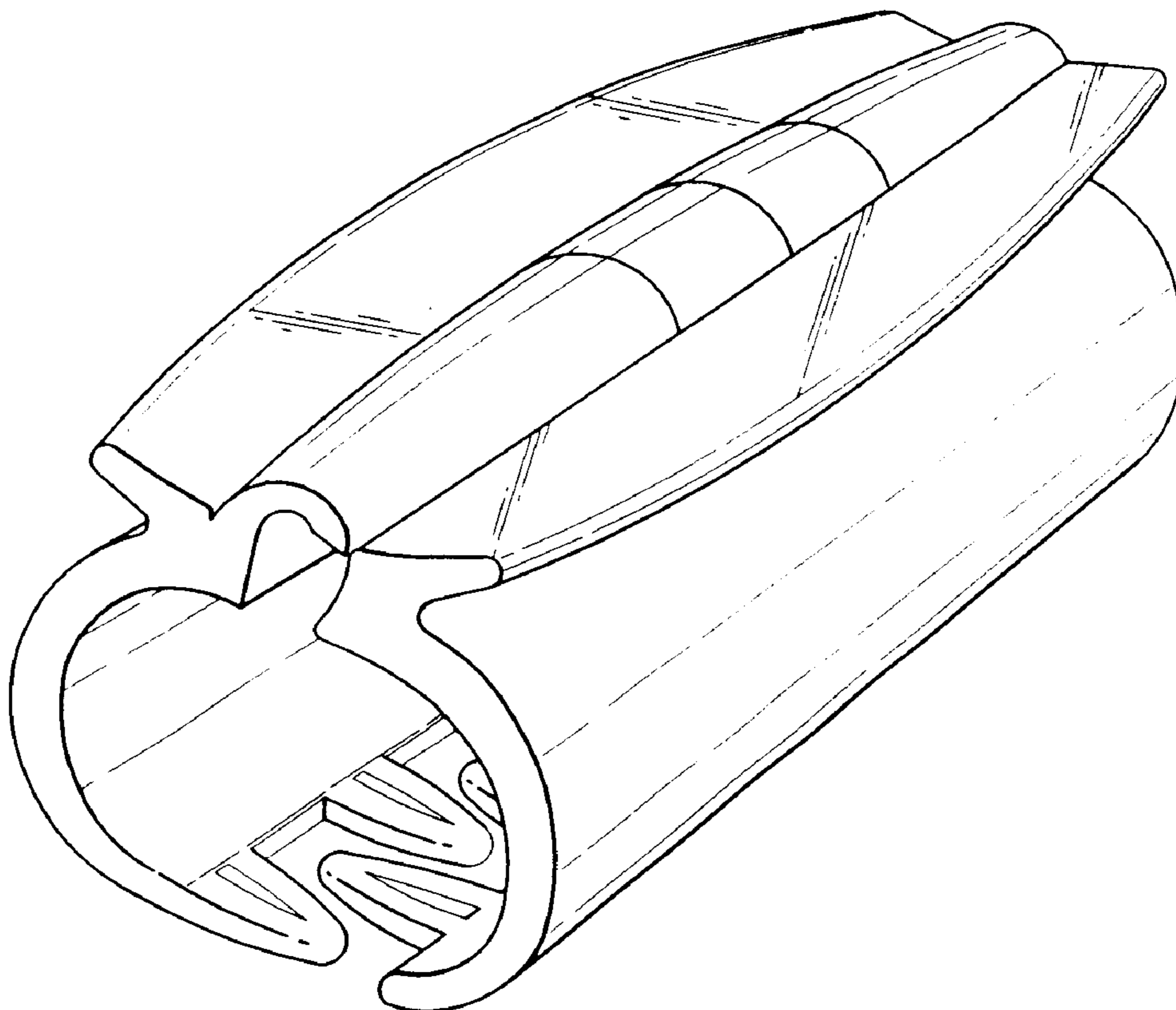
(57) **CLAIM**

The ornamental design for a hair clip, as shown and described.

**DESCRIPTION**

FIG. 1 is an end view of a hair clip of the present invention, the opposite end view is a mirror image thereto;  
 FIG. 2 is a side elevation view of the hair clip of the present invention, the opposite side elevation is the same;  
 FIG. 3 is a bottom plan view of the hair clip of the present invention;  
 FIG. 4 is a top plan view of the hair clip of the present invention;  
 FIG. 5 is a top perspective view of the hair clip of the present invention; and,  
 FIG. 6 is a bottom perspective view of the hair clip of the present invention.

**1 Claim, 2 Drawing Sheets**



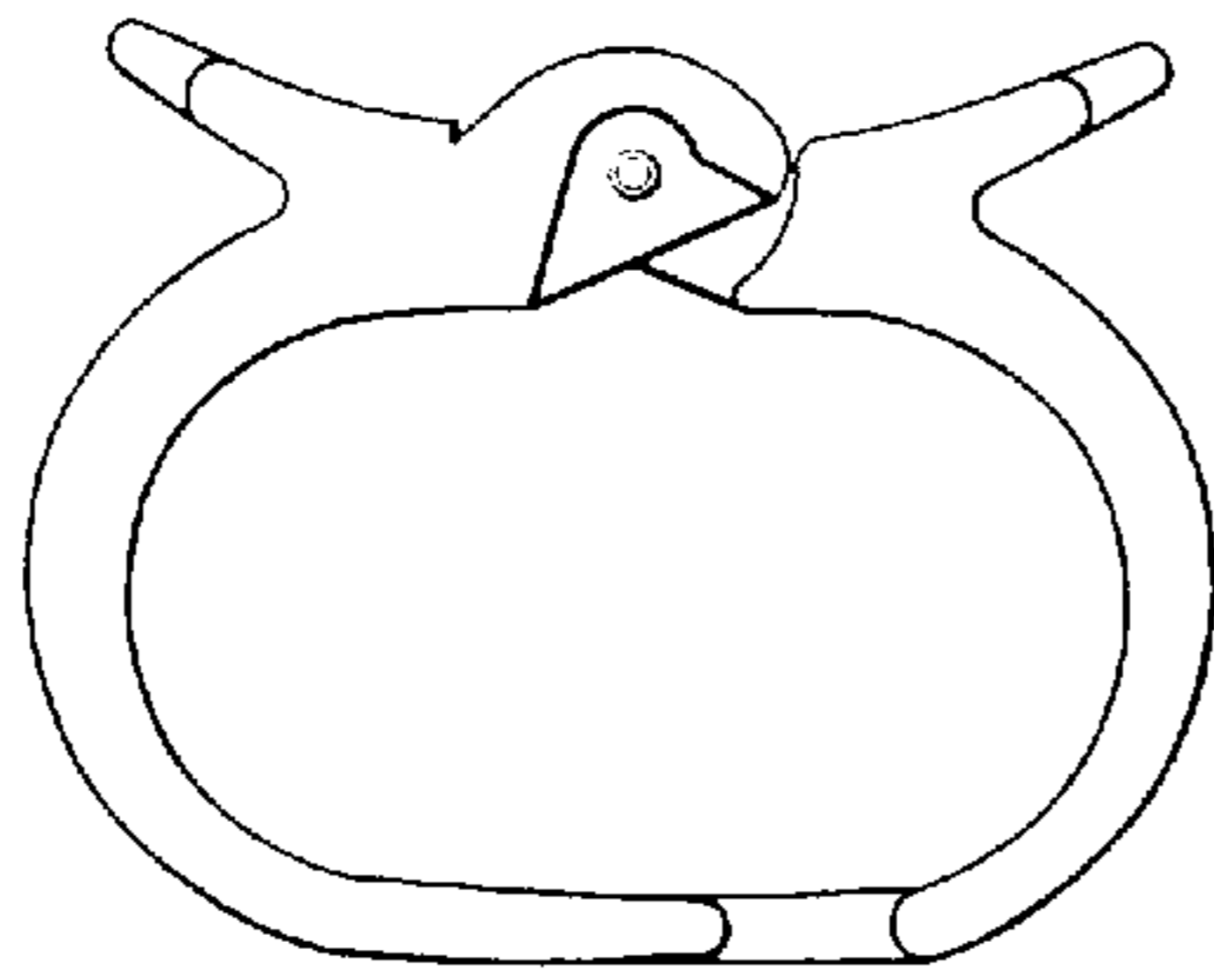


FIG. 1

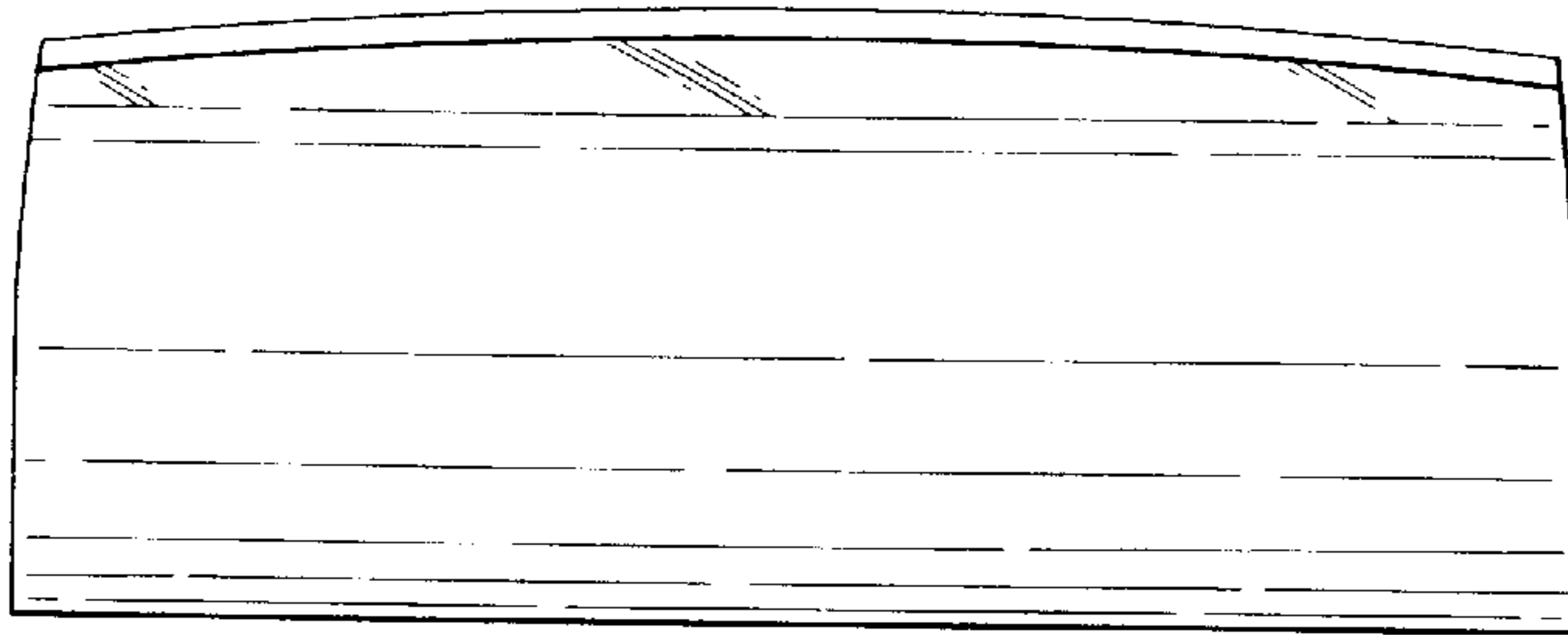


FIG. 2

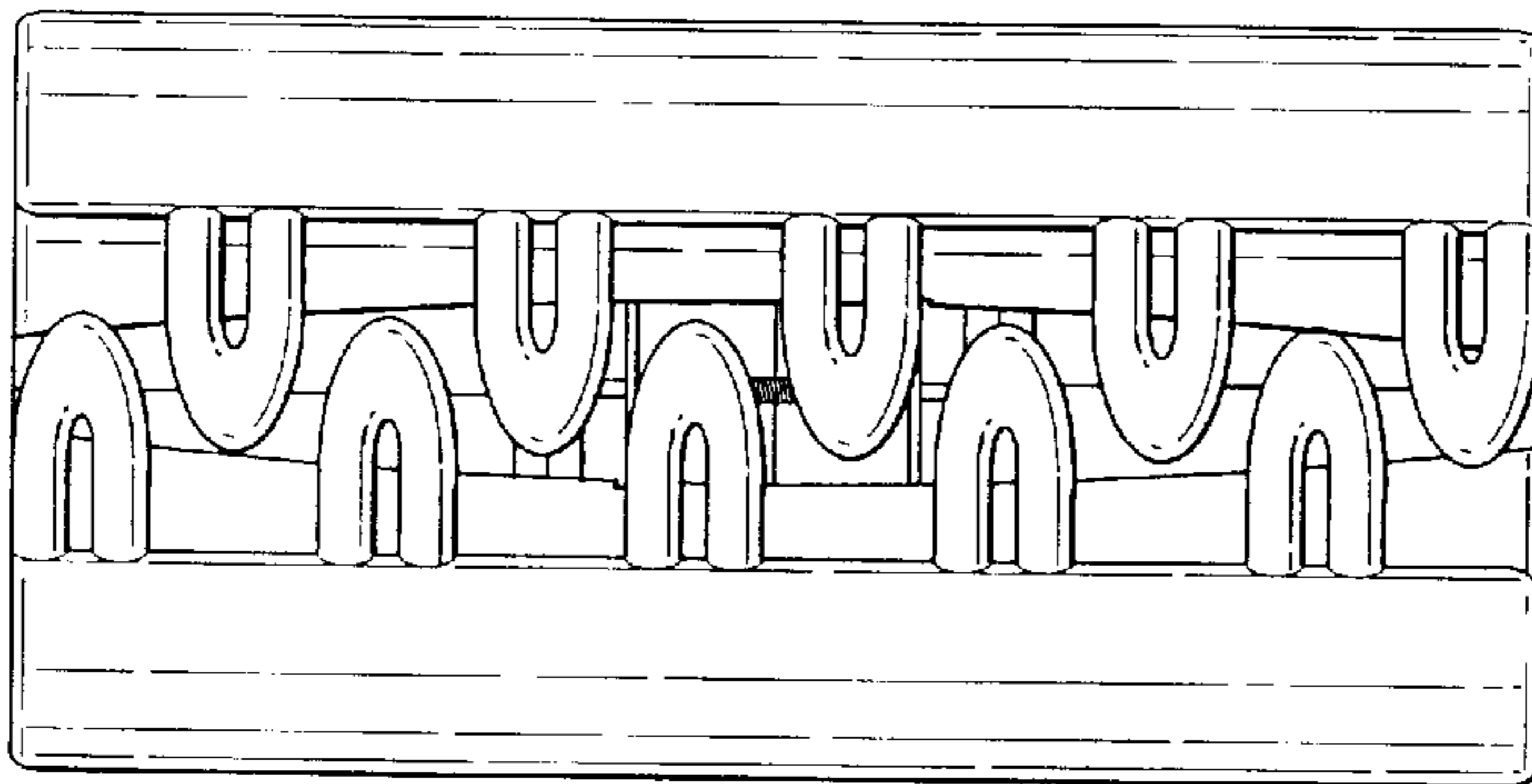


FIG. 3

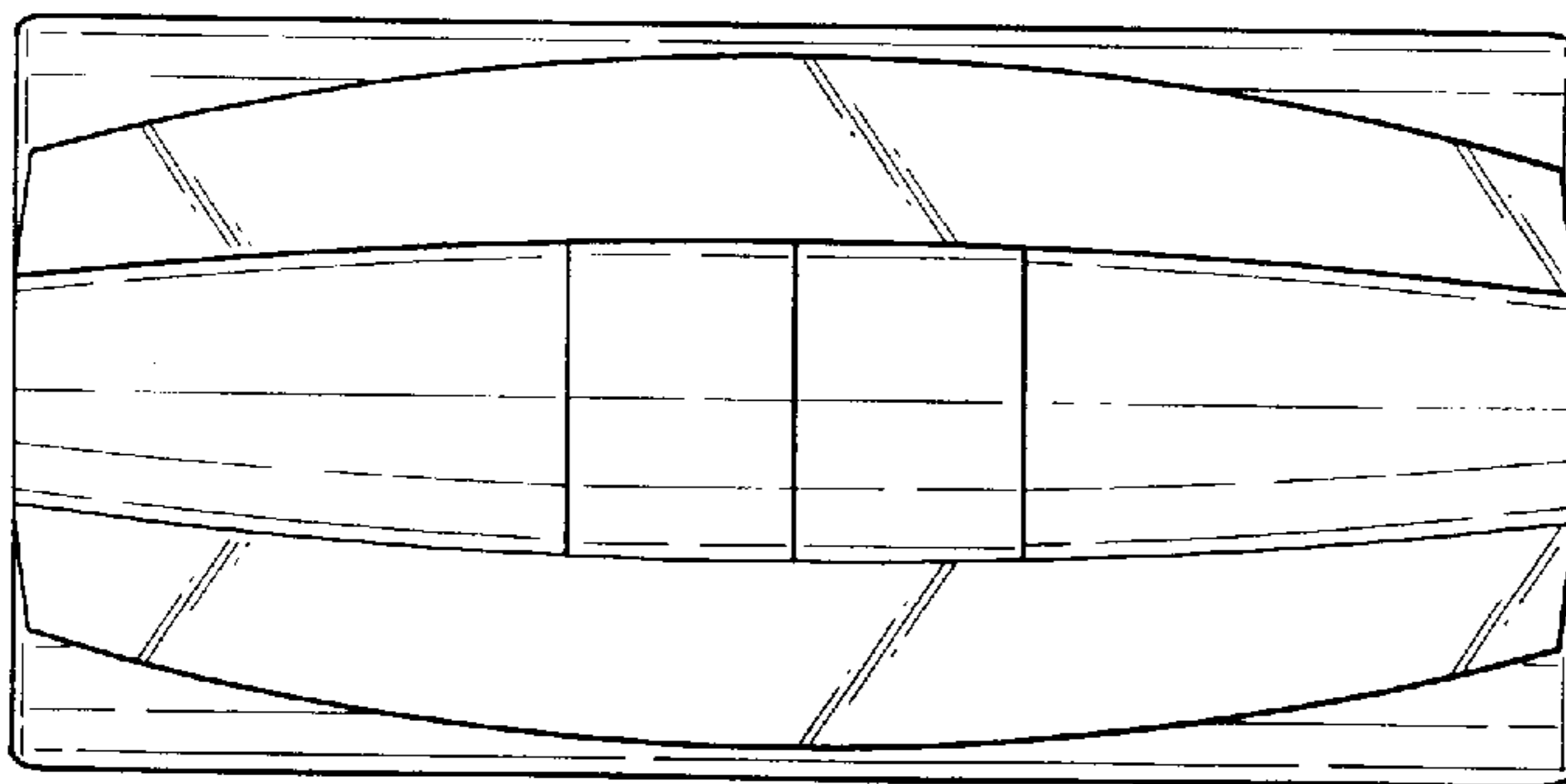


FIG. 4

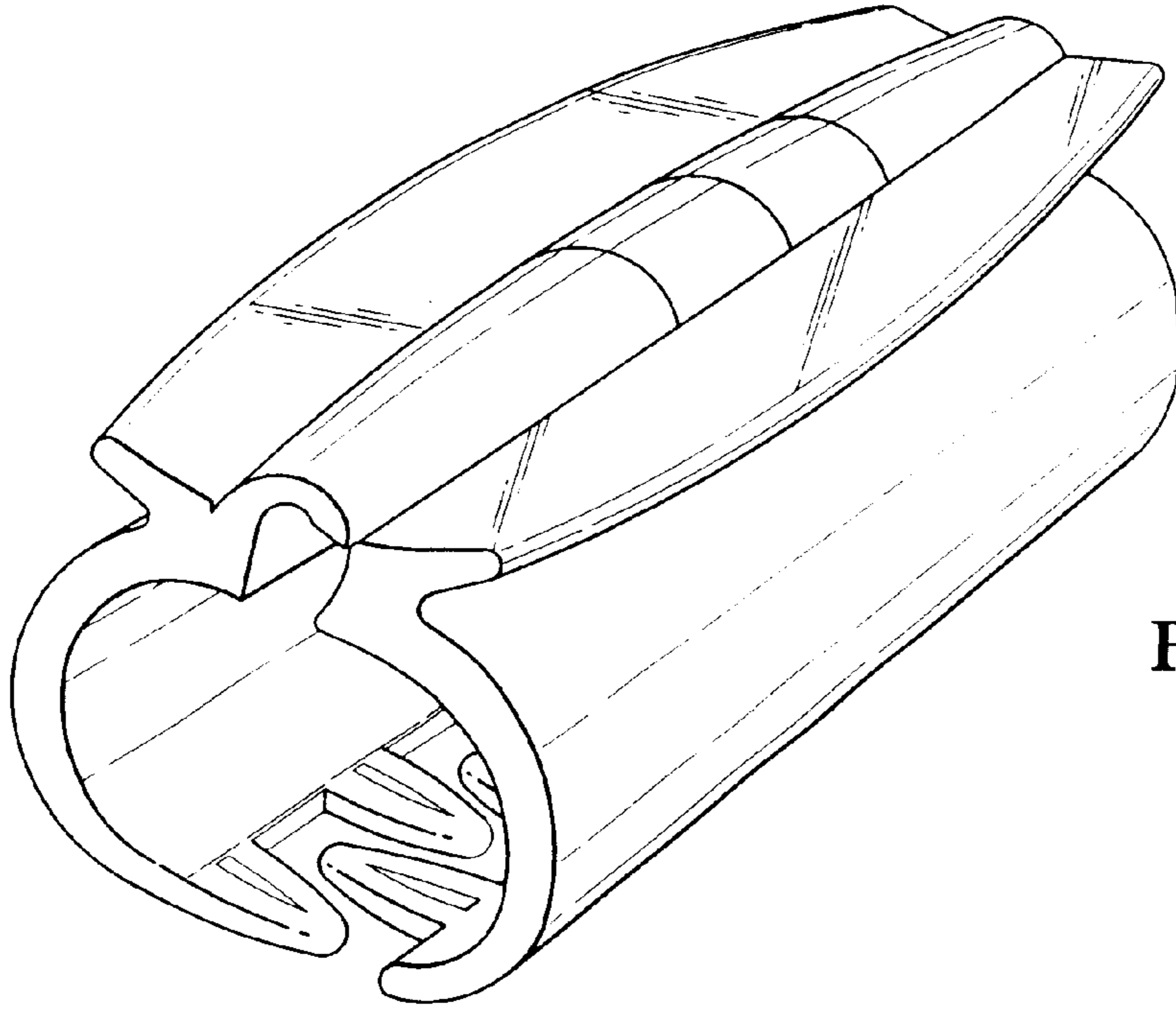


FIG. 5

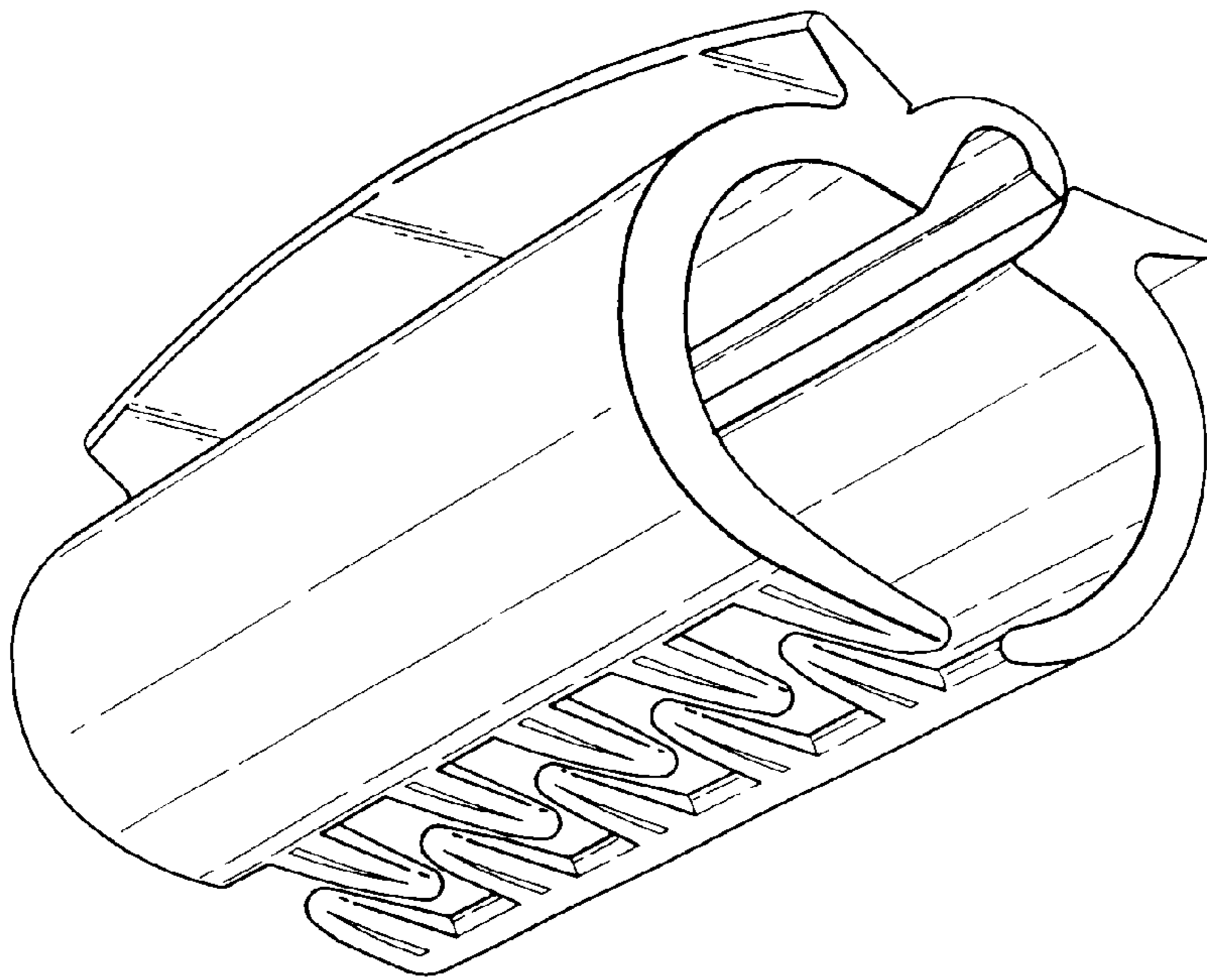


FIG. 6