



US00D483148S

(12) **United States Design Patent**
Merideth

(10) **Patent No.:** **US D483,148 S**

(45) **Date of Patent:** **** Dec. 2, 2003**

(54) **CIGARETTE FILTER**

2002/0166562 A1 * 11/2002 Miura 131/187

(76) Inventor: **Albert M. Merideth**, 2803 Bell Chase
Cir., Tampa, FL (US) 33634

* cited by examiner

Primary Examiner—Jennifer Rivard

(**) Term: **14 Years**

(57) **CLAIM**

(21) Appl. No.: **29/171,205**

The ornamental design for a cigarette filter, as shown and described.

(22) Filed: **Nov. 19, 2002**

DESCRIPTION

(51) **LOC (7) Cl.** **27-02**

(52) **U.S. Cl.** **D27/170; D27/194**

(58) **Field of Search** D27/170, 171,
D27/194, 193; 131/187, 175, 188, 189

FIG. 1 is a front elevation view of a cigarette filter showing my new design.

FIG. 2 is a rear elevation view of the cigarette filter.

FIG. 3 is a side elevation view of the cigarette filter.

FIG. 4 is a top plan view of the cigarette filter, the bottom plan view being a mirror image; and,

FIG. 5 is a perspective view of the cigarette filter.

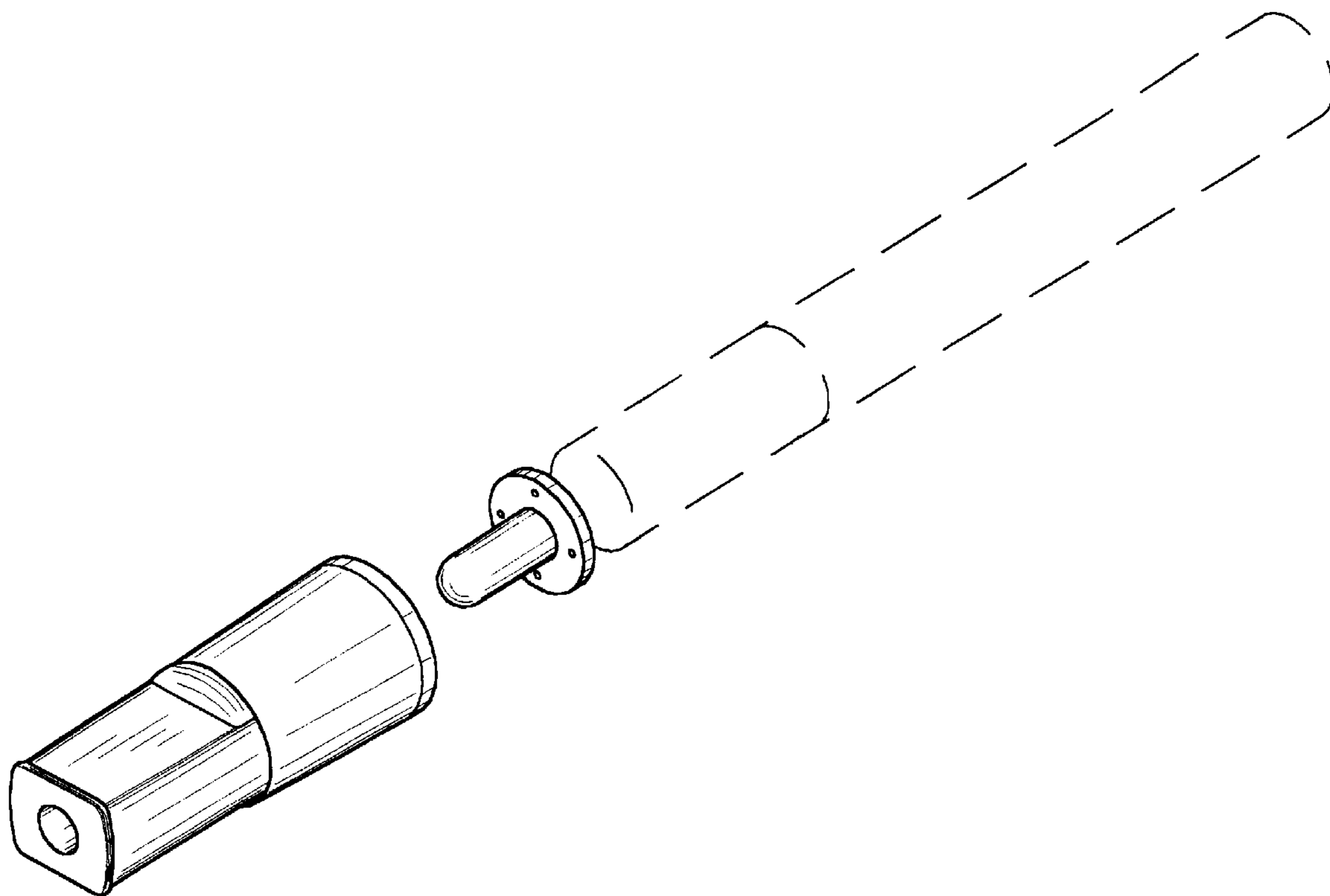
The broken line environmental showing is for illustrative purposes only and forms no part of the claimed design.

(56) **References Cited**

U.S. PATENT DOCUMENTS

- D140,839 S * 4/1945 Carson D27/170
- 2,954,785 A * 10/1960 Lebert 131/189
- 6,318,376 B1 * 11/2001 Cheng 131/215.2
- 6,491,040 B1 * 12/2002 Hsueh 131/190

1 Claim, 2 Drawing Sheets



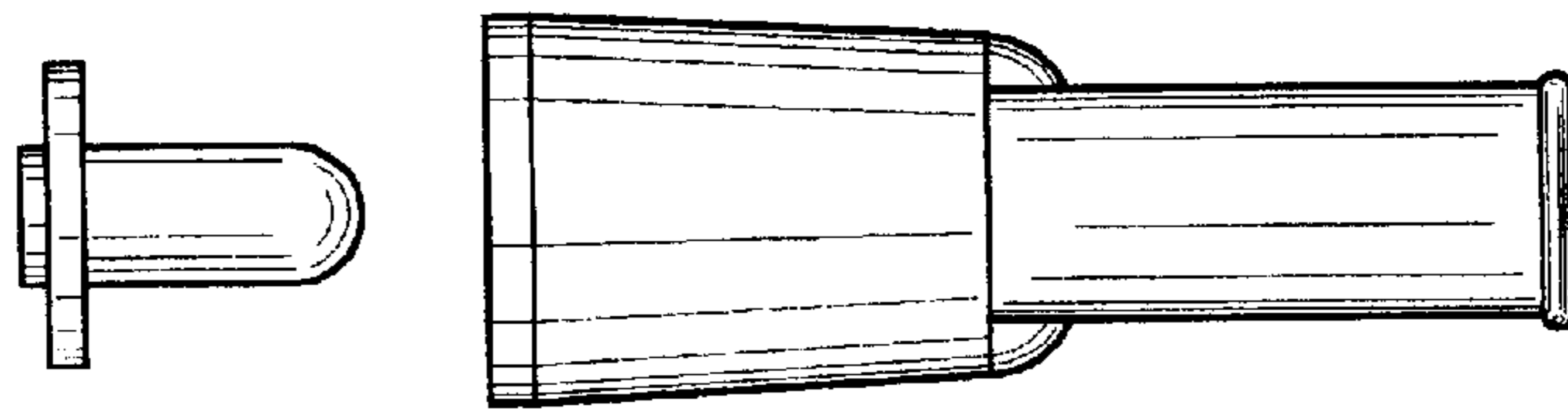


FIG. 1

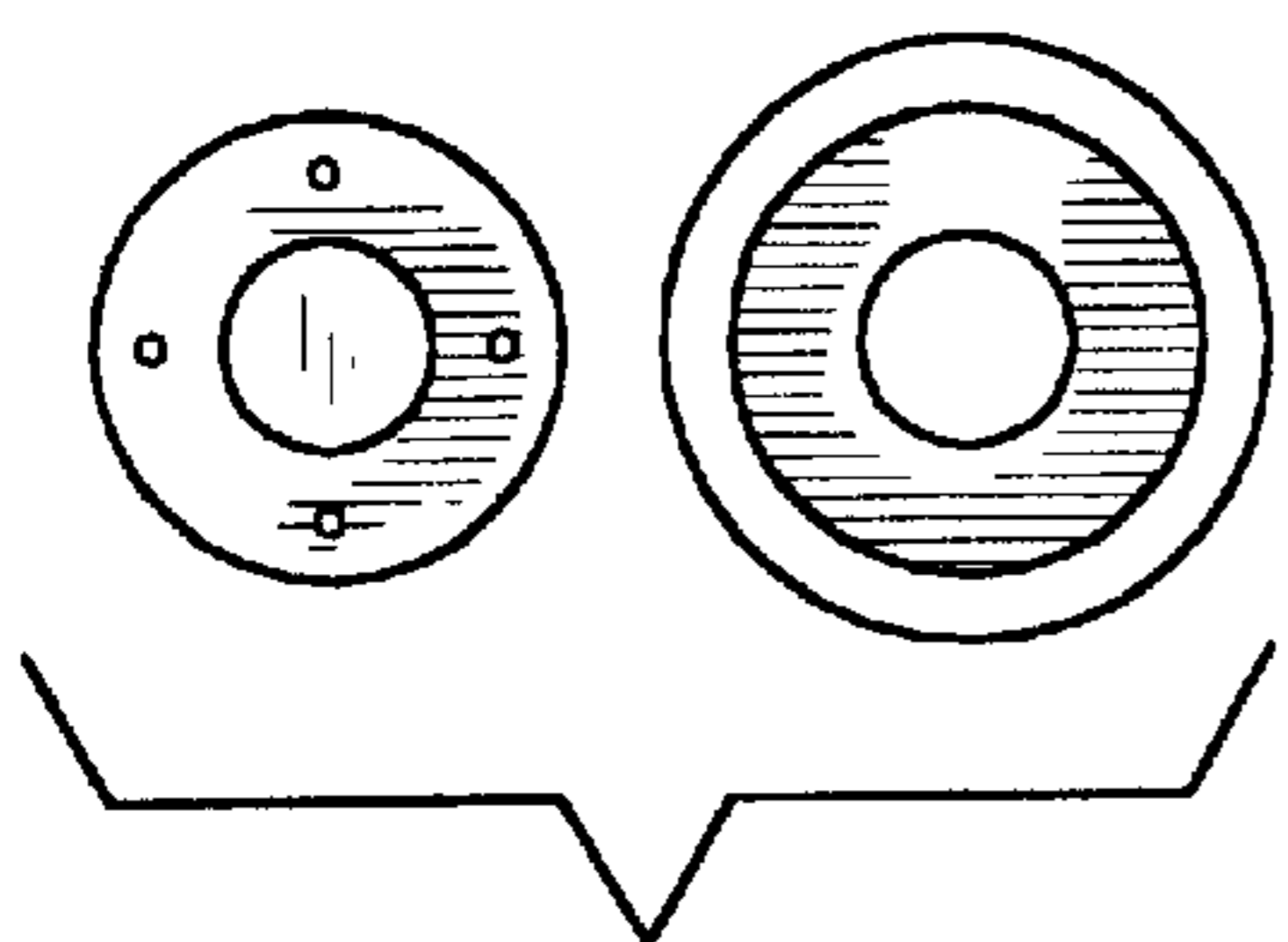


FIG. 2

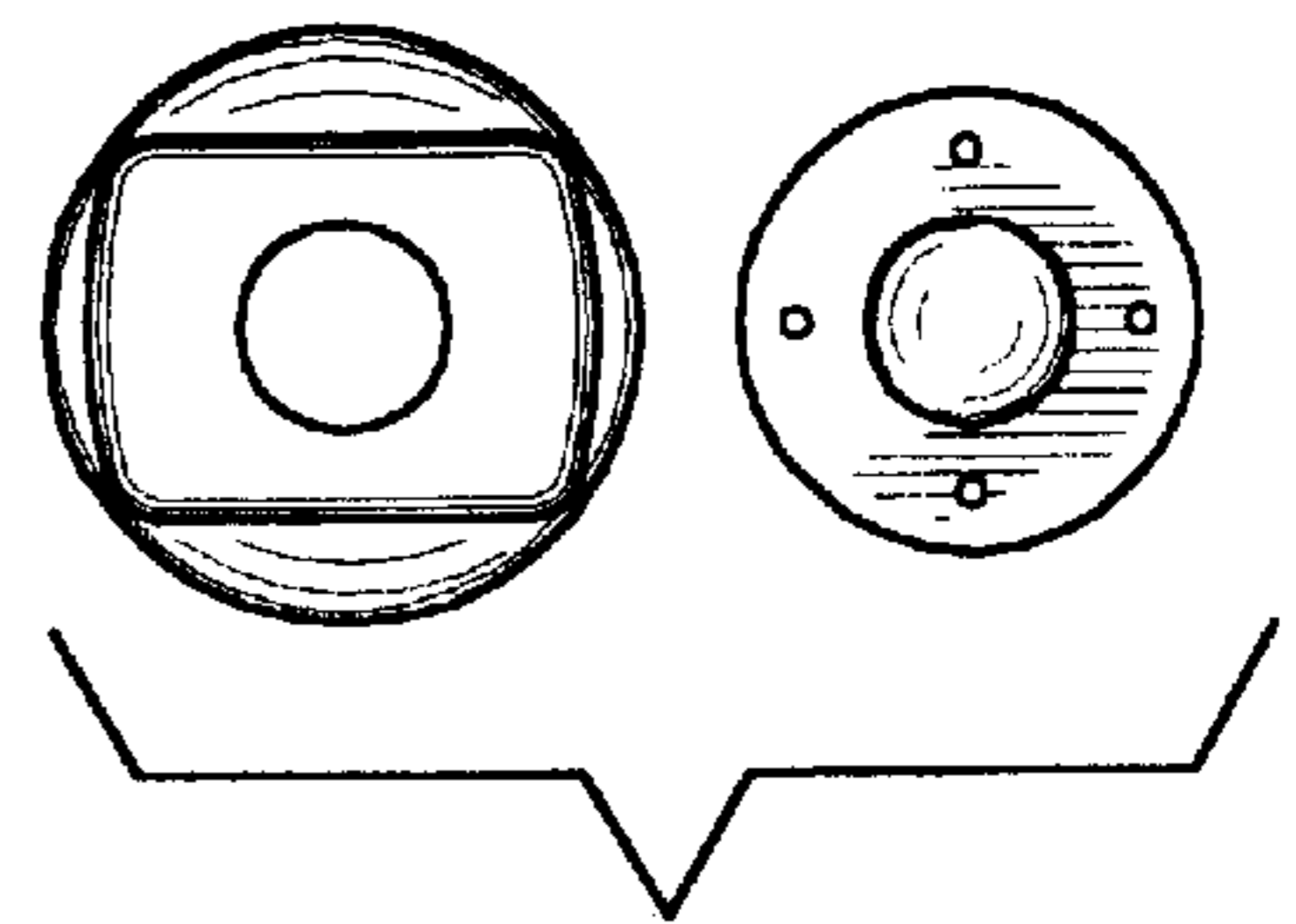


FIG. 3

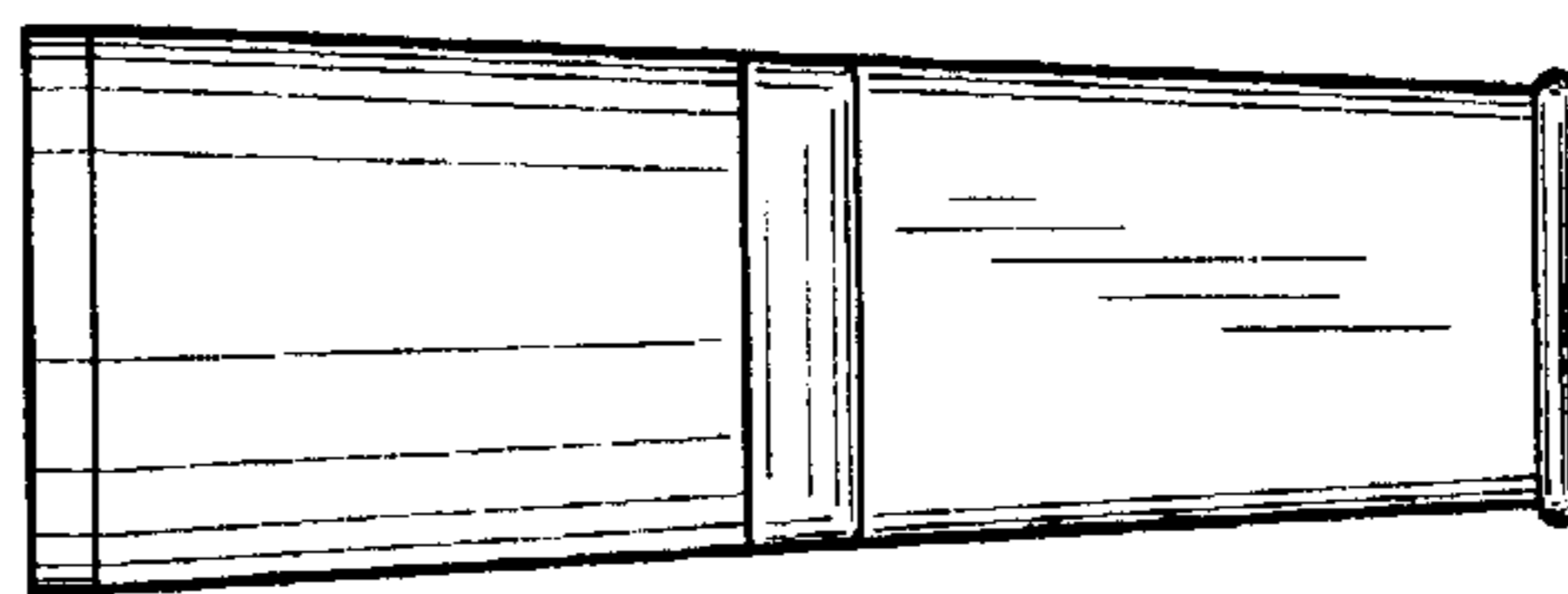
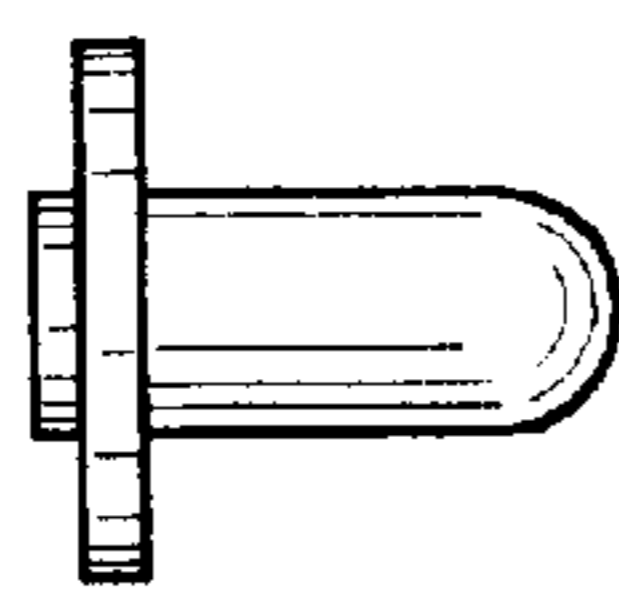


FIG. 4

