



US00D483147S

(12) **United States Design Patent**
Farmer

(10) **Patent No.:** **US D483,147 S**

(45) **Date of Patent:** **** Dec. 2, 2003**

(54) **LAMP HEAD WITH INTEGRALLY FORMED HANDLE**

(75) Inventor: **Edmund Farmer**, Cranford, NJ (US)

(73) Assignee: **Verilux, Inc.**, Stamford, CT (US)

(**) Term: **14 Years**

(21) Appl. No.: **29/171,220**

(22) Filed: **Nov. 19, 2002**

(51) **LOC (7) Cl.** **26-99**

(52) **U.S. Cl.** **D26/118; D26/63**

(58) **Field of Search** **D26/113, 118, D26/61-65; 362/418, 419, 362, 277, 269**

(56) **References Cited**

U.S. PATENT DOCUMENTS

4,494,177 A	*	1/1985	Matthews	362/418
D369,431 S	*	4/1996	Muellenmeister	D26/118
D392,068 S	*	3/1998	Newhouse	D26/61
D448,507 S	*	9/2001	Shen	D26/63

* cited by examiner

Primary Examiner—Jennifer Rivard
(74) *Attorney, Agent, or Firm*—St. Onge Steward Johnston & Reens LLC

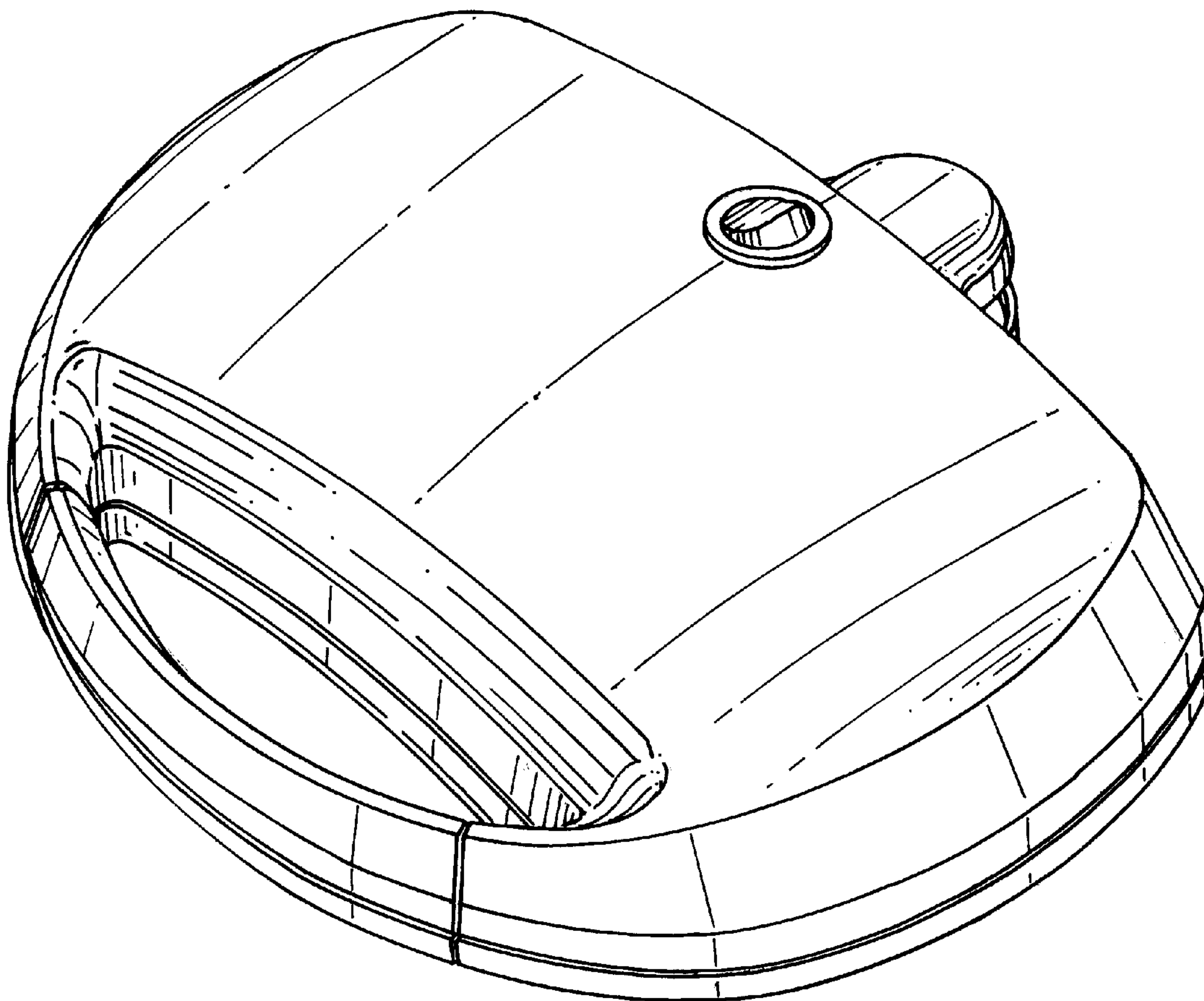
(57) **CLAIM**

I claim the ornamental design for lamp head with integrally formed handle, as shown and described.

DESCRIPTION

FIG. 1 is a front perspective view of a lamp head in accordance with the new design;
FIG. 2 is a front view of the lamp head in accordance with the embodiment of the new design shown in FIG. 1;
FIG. 3 is a top view of the lamp head in accordance with the embodiment of the new design shown in FIG. 1;
FIG. 4 is a side view of the lamp head in accordance with the embodiment of the new design shown in FIG. 1;
FIG. 5 is a top view of the lamp head in accordance with the embodiment of the new design shown in FIG. 1; and,
FIG. 6 is a rear view of the lamp head in accordance with the embodiment of the new design shown in FIG. 1.
The broken line environmental showing is for illustrative purposes only and forms no part of the claimed design.

1 Claim, 3 Drawing Sheets



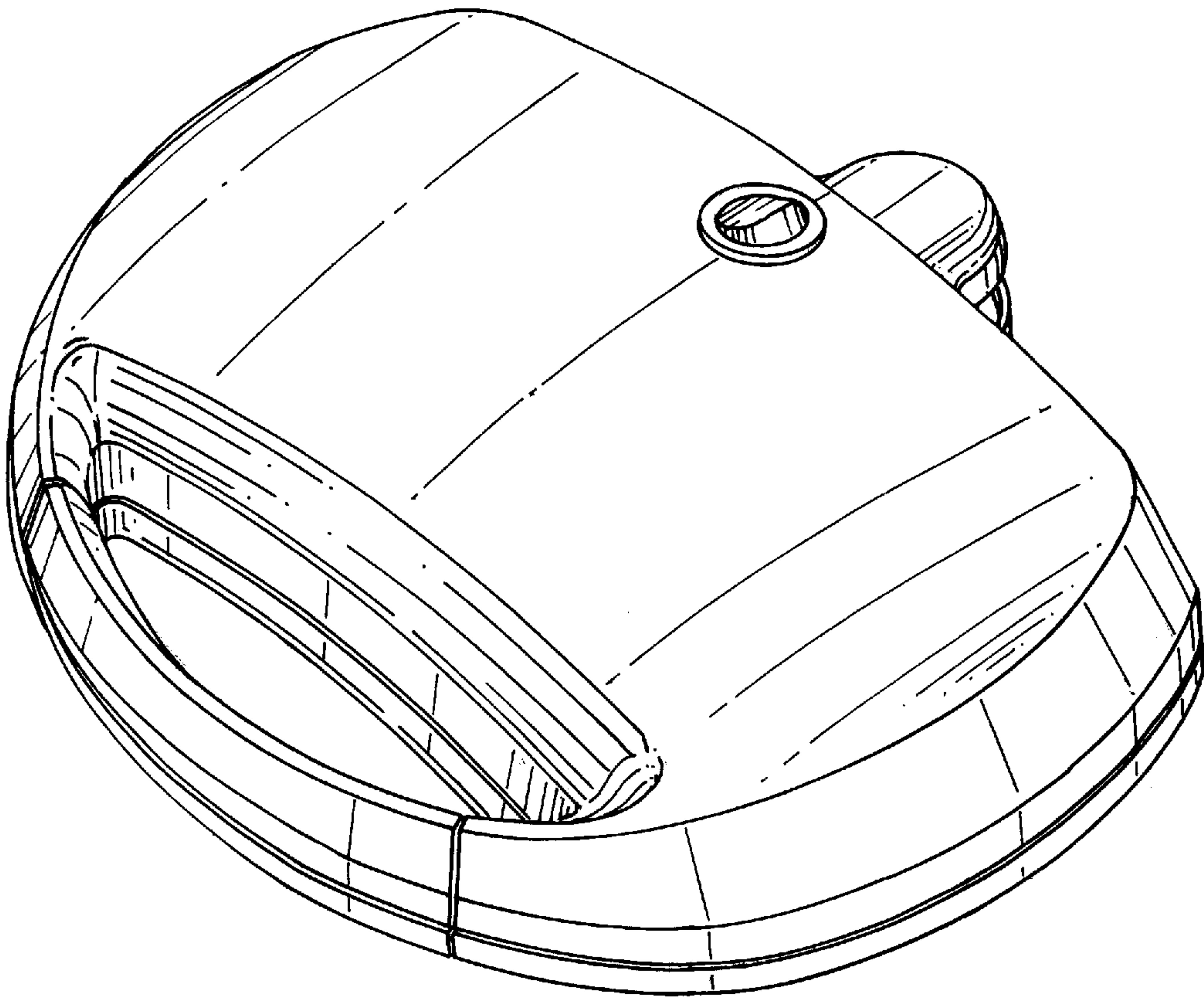


FIG. 1

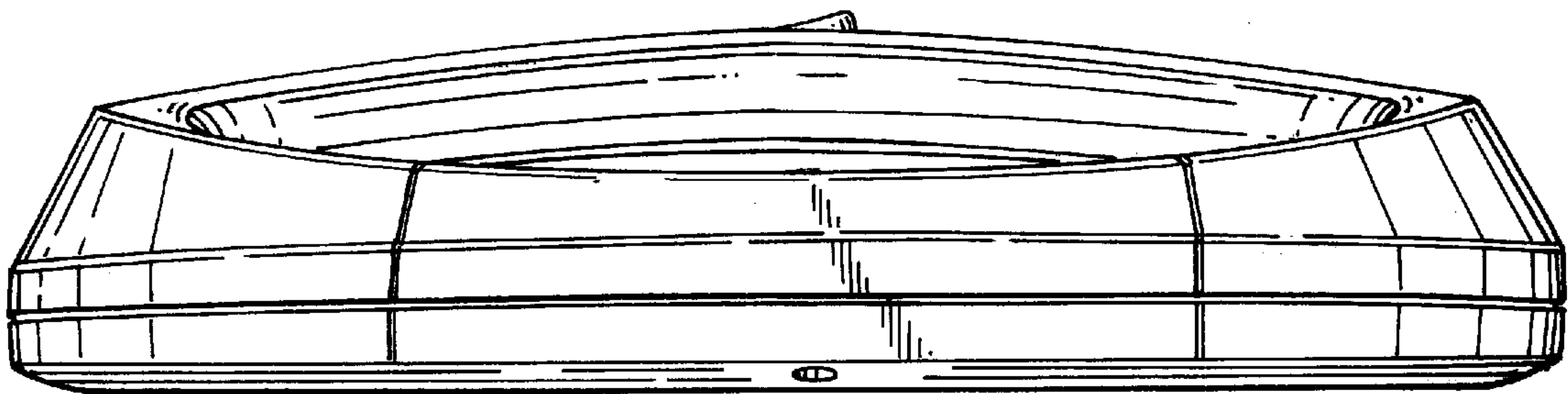


FIG. 2

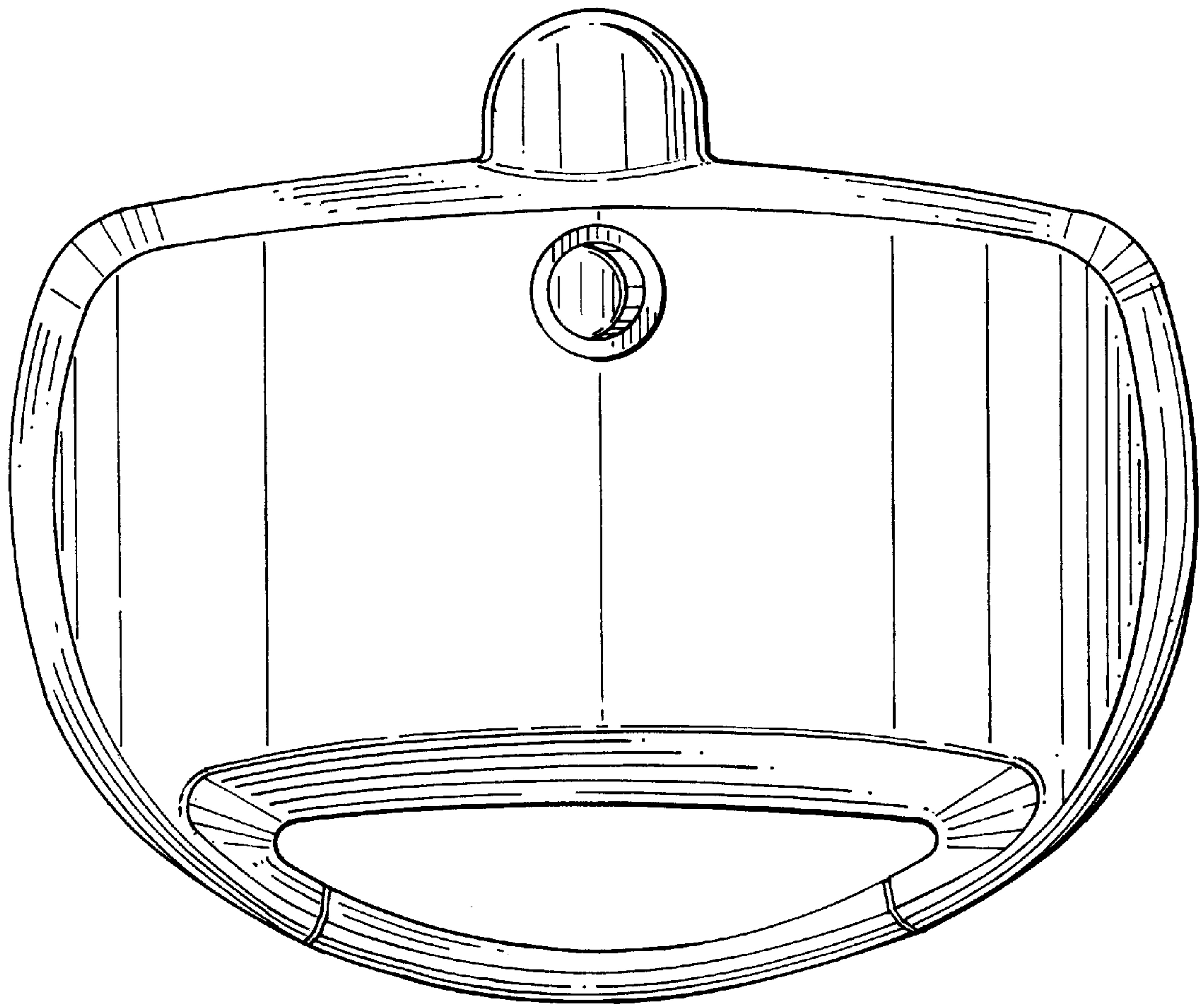


FIG. 3

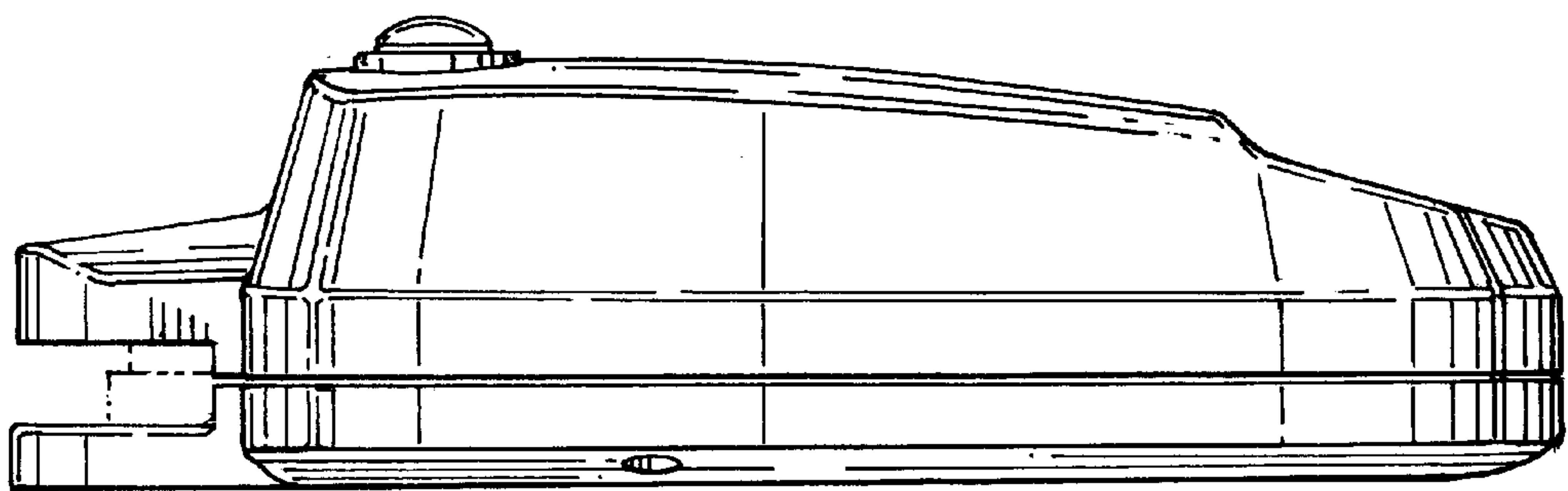


FIG. 4

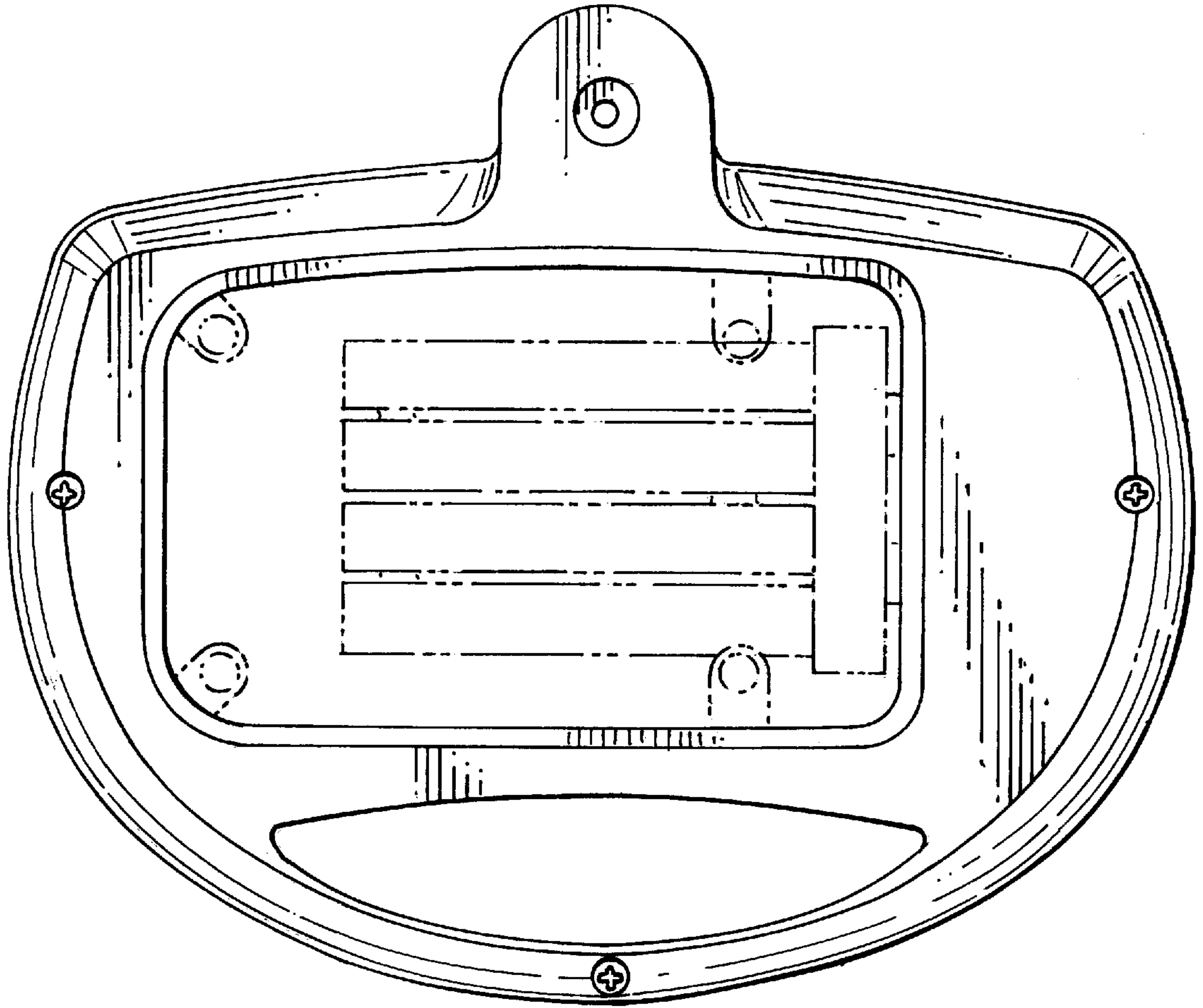


FIG. 5

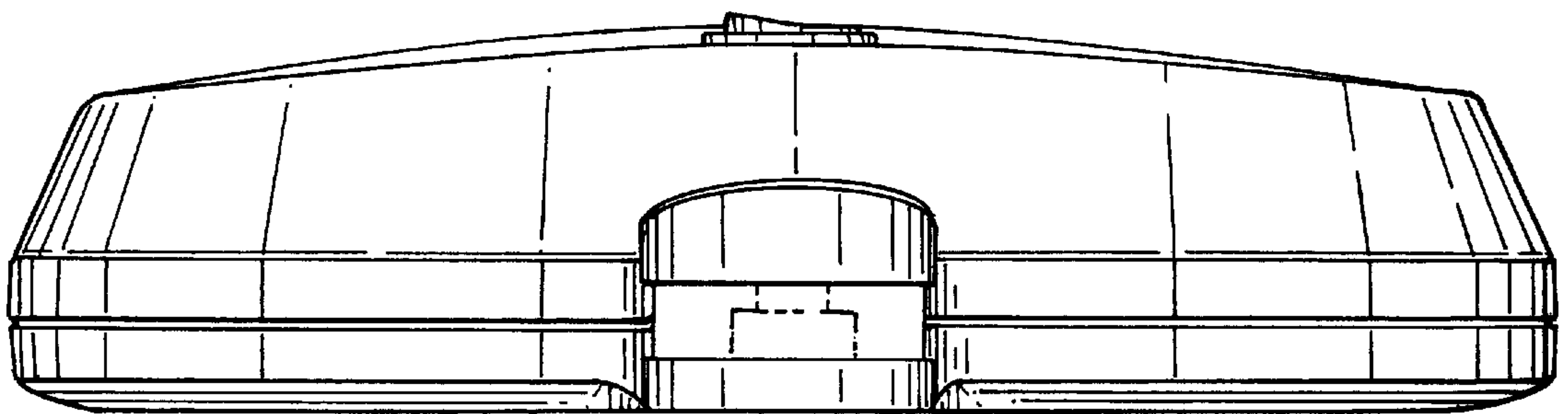


FIG. 6