



US00D483144S

(12) **United States Design Patent**
Chen

(10) **Patent No.:** **US D483,144 S**

(45) **Date of Patent:** **** Dec. 2, 2003**

(54) **WALL LAMP**

(76) Inventor: **Chia-Teh Chen**, 5 Fl., No. 30, Yi Shian Rd., Sung Shan Chiu, Taipei (TW)

(**) Term: **14 Years**

(21) Appl. No.: **29/172,876**

(22) Filed: **Dec. 17, 2002**

(51) **LOC (7) Cl.** **26-03**

(52) **U.S. Cl.** **D26/92; D26/87**

(58) **Field of Search** D26/67, 68, 80-92,
D26/113, 118, 128, 129; 362/147, 153,
153.1, 159, 363, 367, 368, 404-408, 431,
432

(56) **References Cited**

U.S. PATENT DOCUMENTS

D229,713 S * 12/1973 Wince et al. D26/67

D428,507 S * 7/2000 De'Armond D26/72

D464,163 S * 10/2002 Orozco D26/87

OTHER PUBLICATIONS

QUOIZEL Catalog Supplement Jun. 2000; p. 34; Item #WL 8498BR.*

CORBETT Lighting Catalog (c) 2000; p. 138; item #5782.*

* cited by examiner

Primary Examiner—Clare E. Heflin

(74) *Attorney, Agent, or Firm*—Charles E. Baxley

(57) **CLAIM**

The ornamental design for a wall lamp, as shown and described.

DESCRIPTION

FIG. 1 is a perspective view of a wall lamp showing my new design;

FIG. 2 is a front elevational view thereof;

FIG. 3 is a rear elevational view thereof,

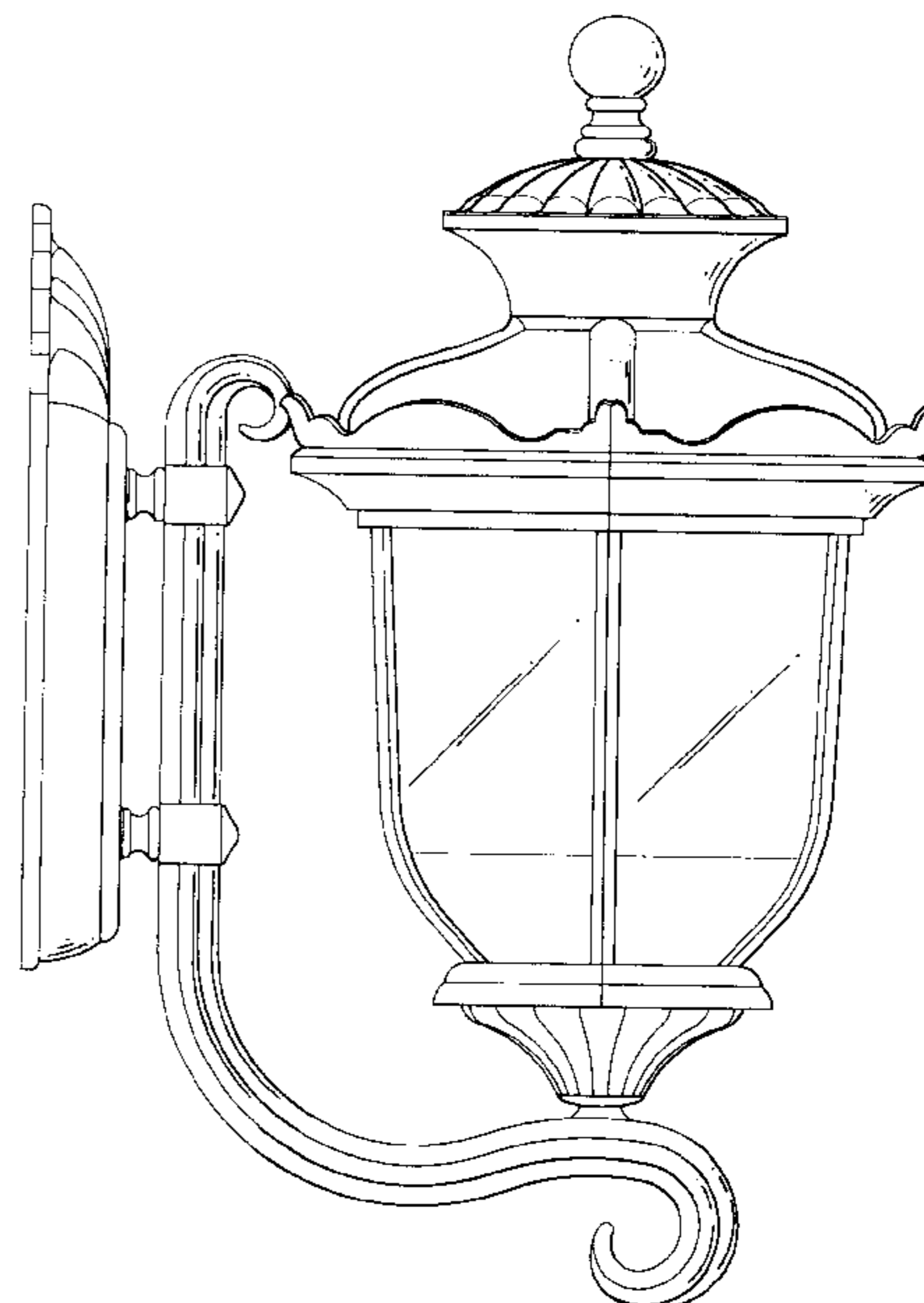
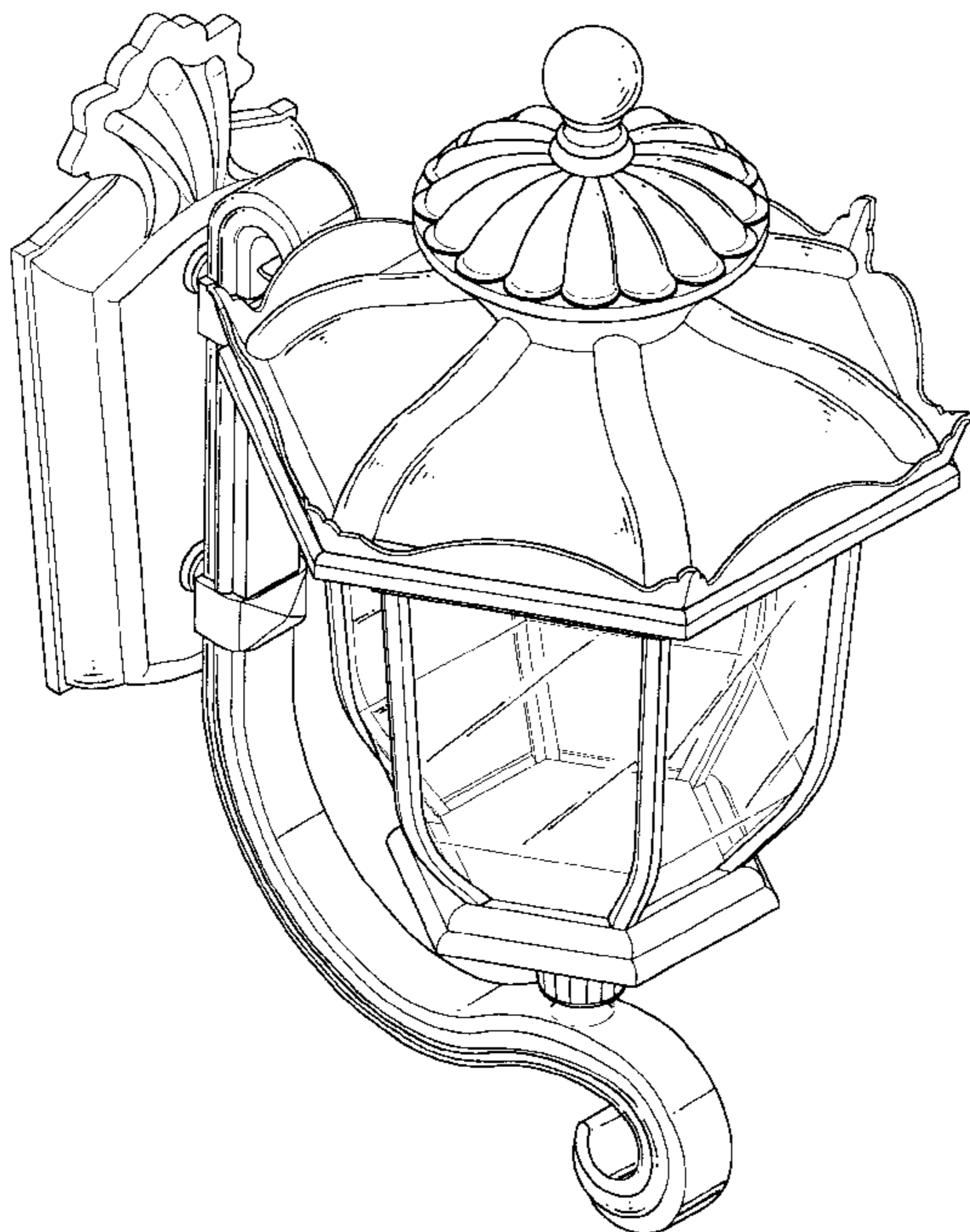
FIG. 4 is a left side elevational view thereof,

FIG. 5 is a right side elevational view thereof,

FIG. 6 is a top plan view thereof; and,

FIG. 7 is a bottom plan view to that shown.

1 Claim, 7 Drawing Sheets



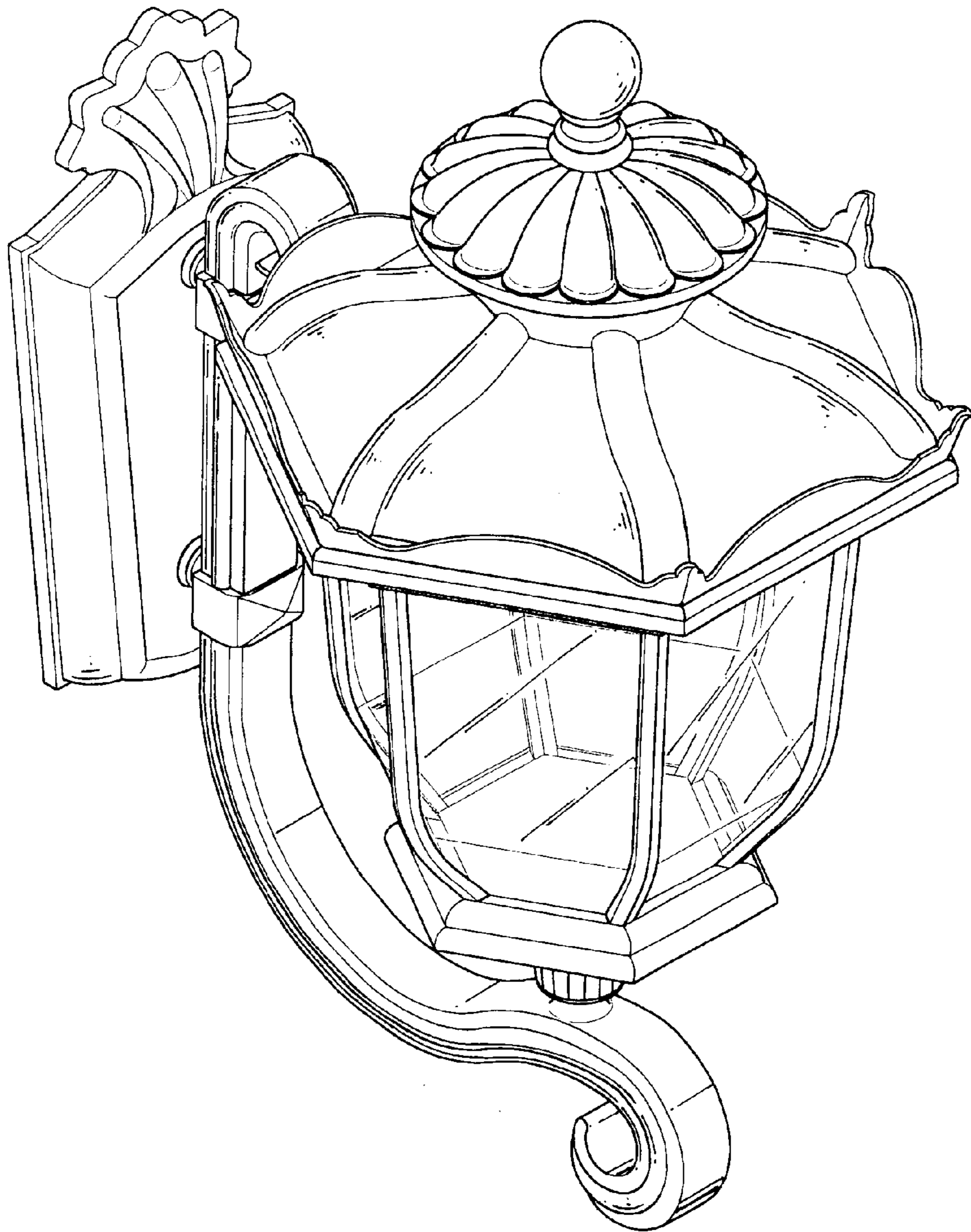


FIG. 1

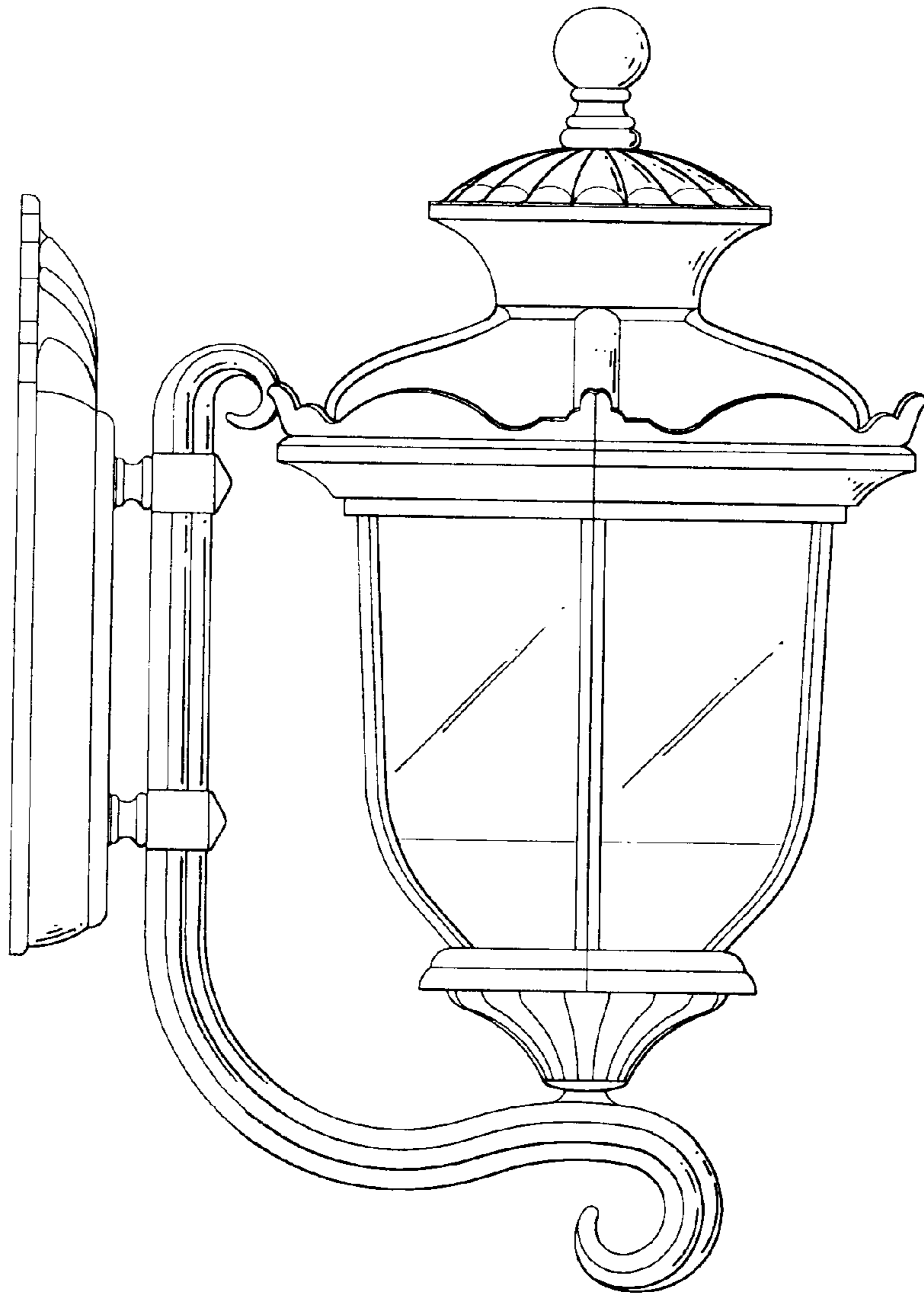


FIG. 2

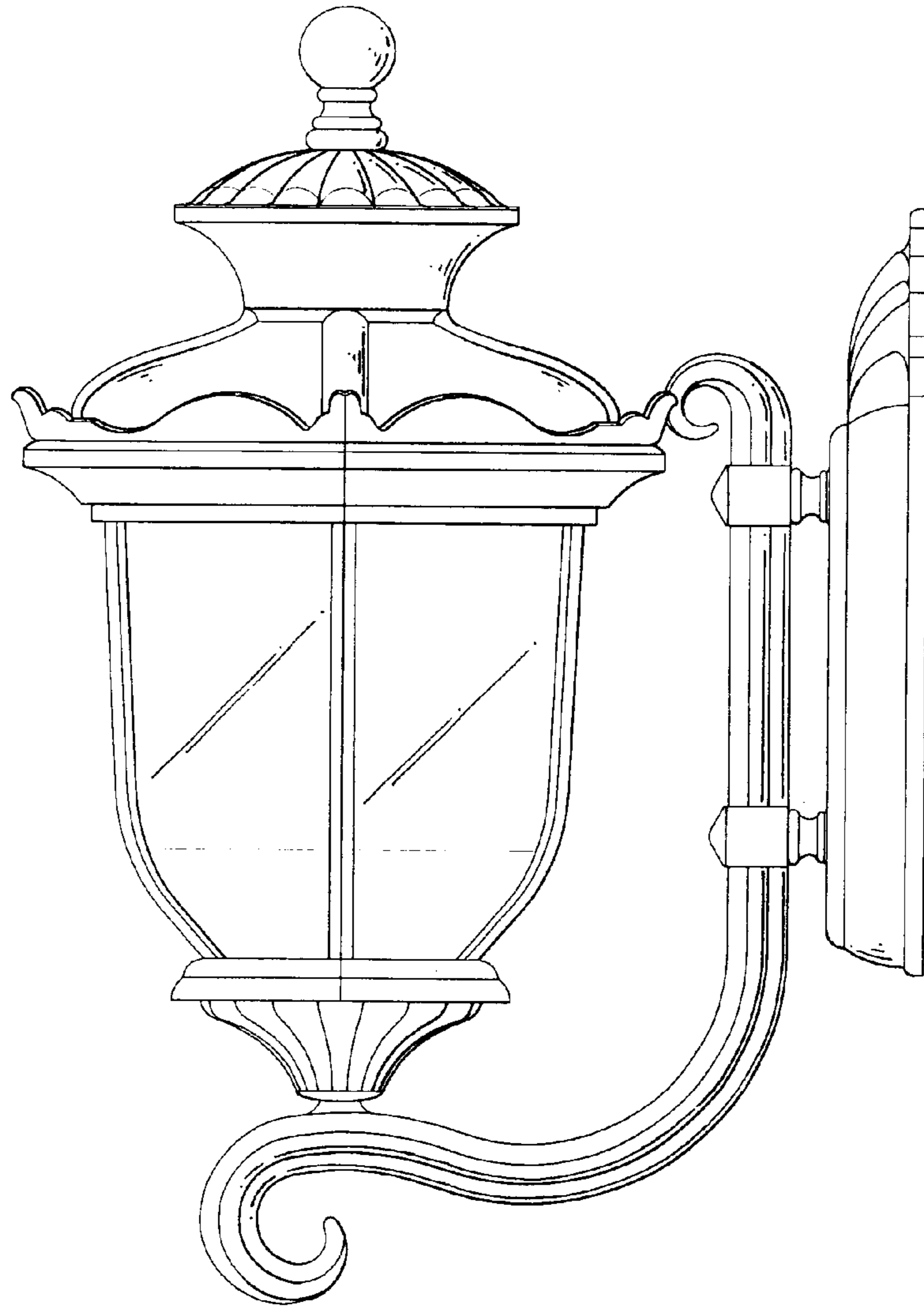


FIG. 3

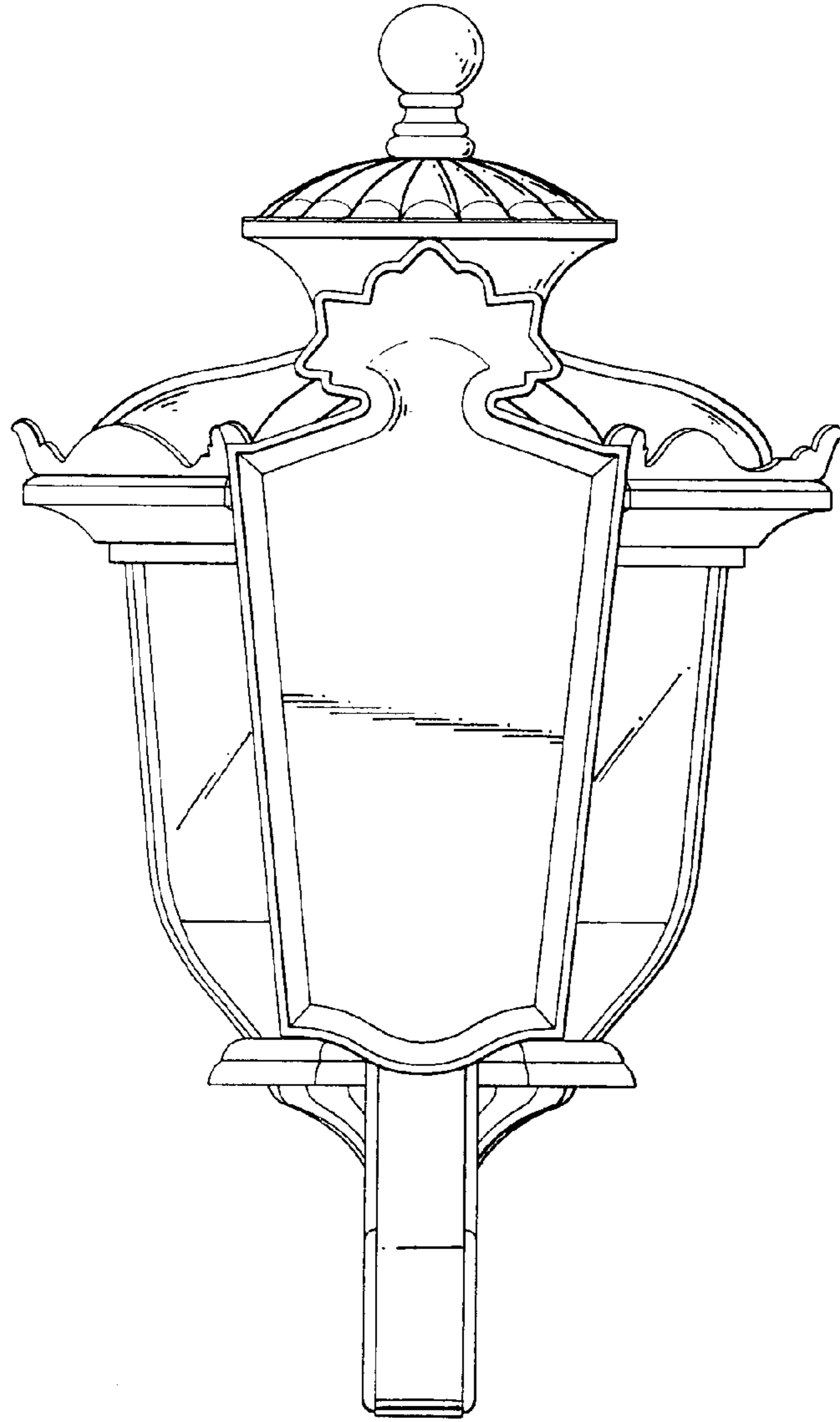


FIG. 4

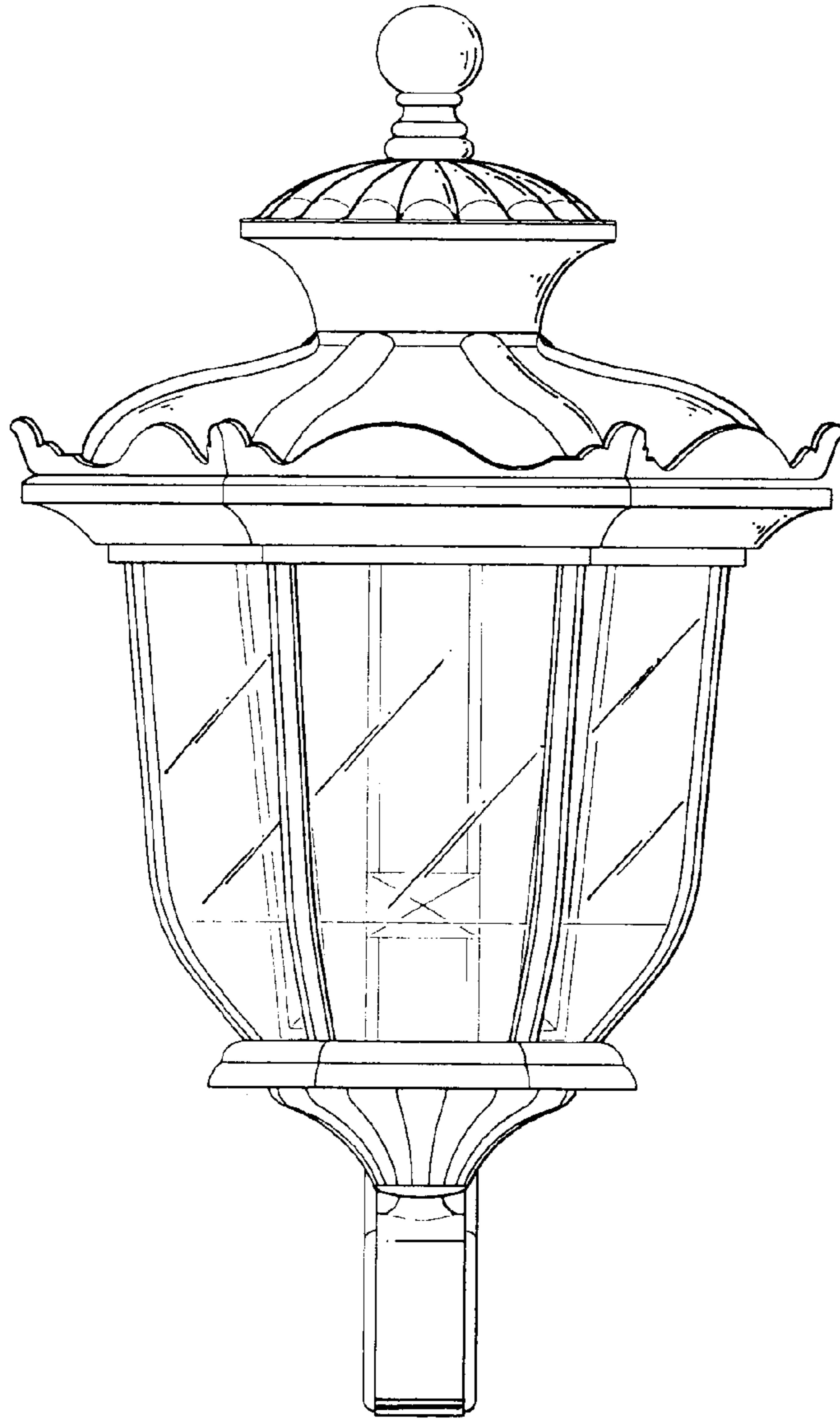


FIG. 5

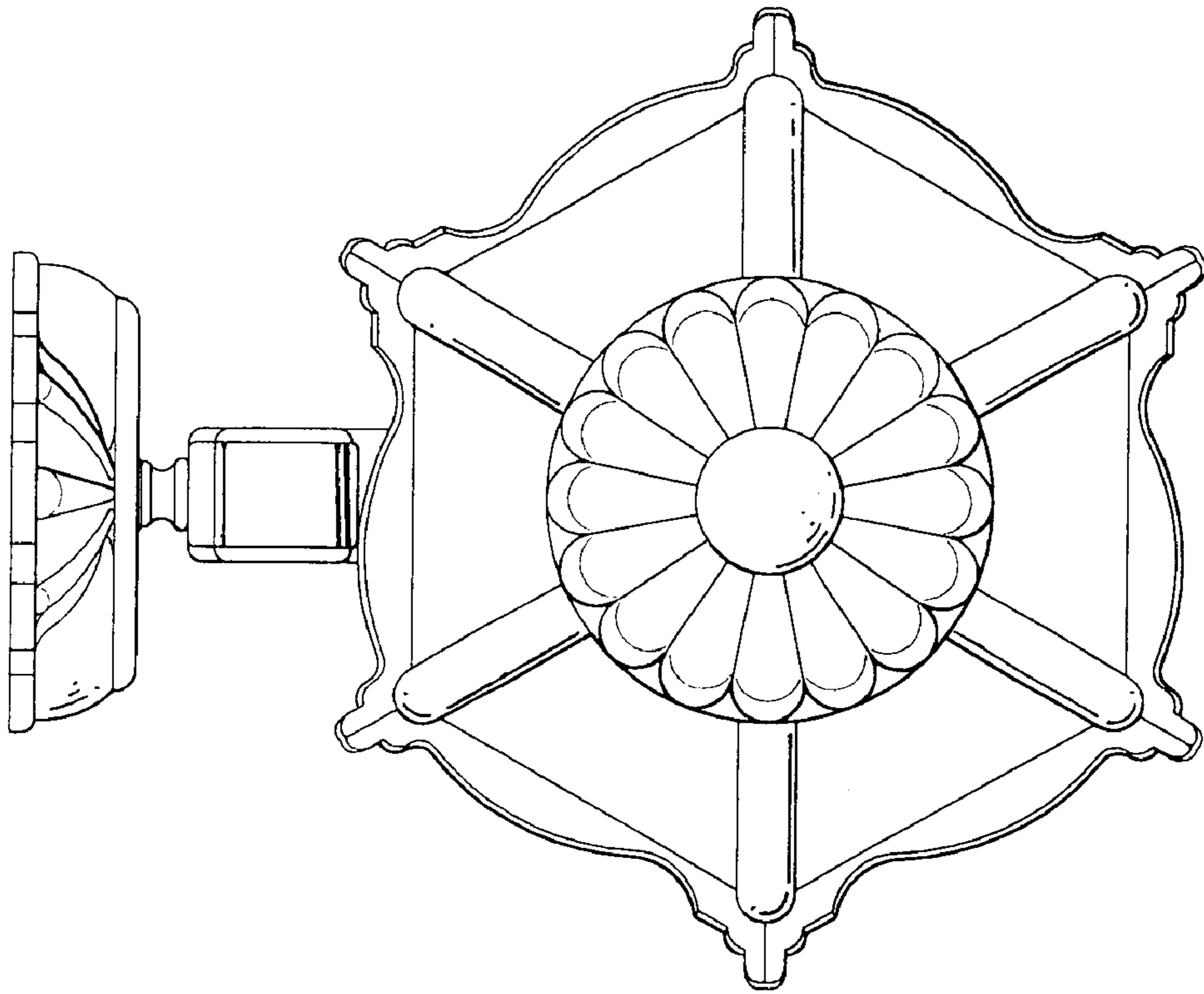


FIG. 6

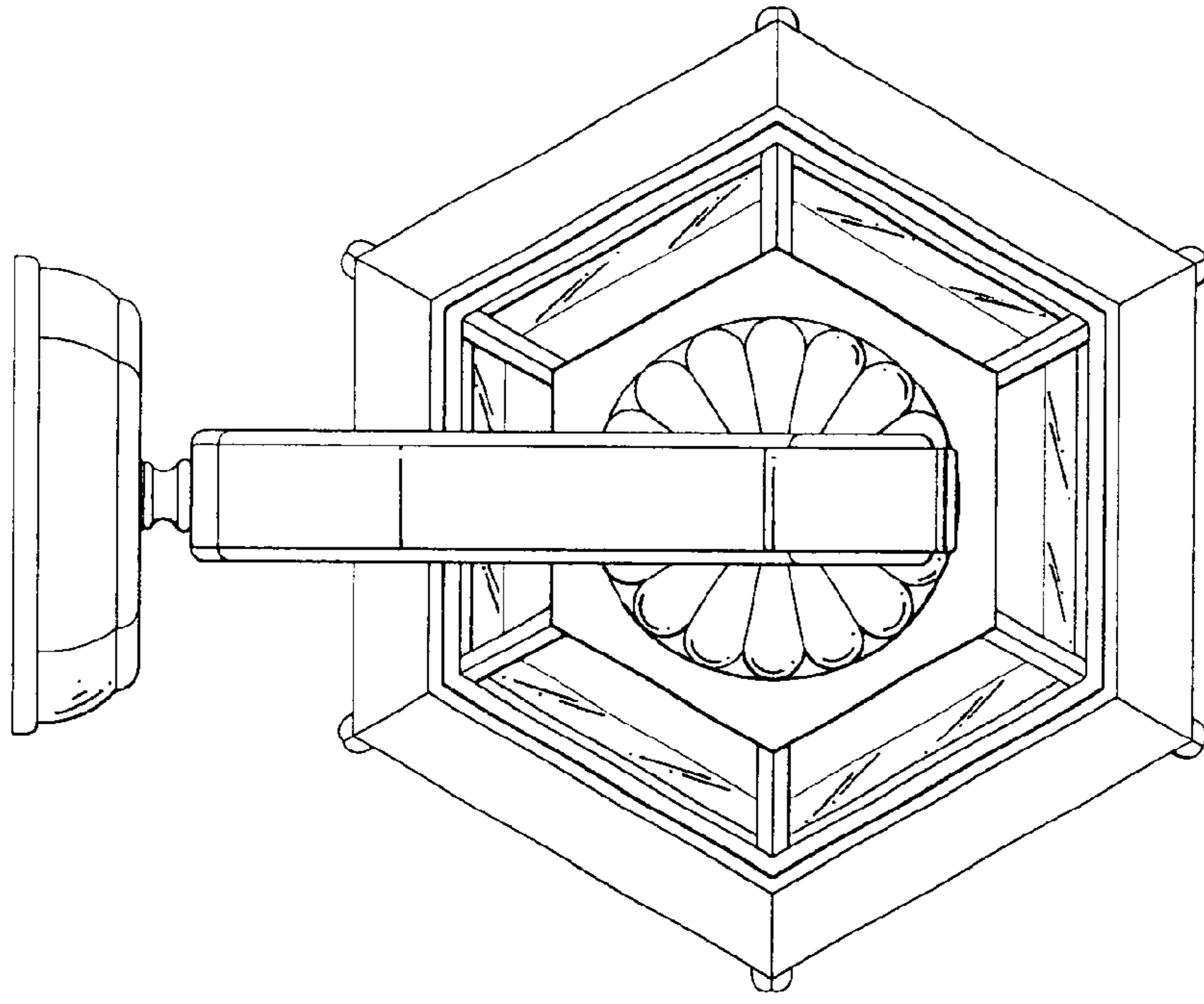


FIG. 7