



US00D483143S

(12) **United States Design Patent** (10) **Patent No.:** **US D483,143 S**  
**Orozco** (45) **Date of Patent:** **\*\* Dec. 2, 2003**

(54) **LIGHT FIXTURE**

(75) Inventor: **Sergio J. Orozco**, West New York, NJ (US)

(73) Assignee: **Quoizel, Inc.**, Goose Creek, SC (US)

(\*\*) Term: **14 Years**

(21) Appl. No.: **29/156,177**

(22) Filed: **Feb. 25, 2002**

(51) **LOC (7) Cl.** ..... **26-03**

(52) **U.S. Cl.** ..... **D26/87**

(58) **Field of Search** ..... D26/72, 80-92;  
362/147, 432, 363, 367, 368, 404-408

(56) **References Cited**

**U.S. PATENT DOCUMENTS**

D439,361 S	*	3/2001	Berry	.....	D26/87
D451,622 S	*	12/2001	Jones et al.	.....	D26/87
D458,704 S	*	6/2002	Orozco	.....	D26/92

**OTHER PUBLICATIONS**

Sea Gull Lighting Products' Catalog 2001, p. 285, item 8813-12.\*

Design House Lighting Catalog (c)1995, item # 1613PB on p. 138.\*

Design House Lighting Catalog (c)1995, item # 6008BK on p. 126.\*

Item No. 71101-91, Minka-Lavery "The Great Outdoors Two Thousand One" catalog, p. 102, 2001.

Item No. 71102-91, Minka-Lavery "The Great Outdoors Two Thousand One" catalog, p. 103, 2001.

Item No. 71161-91, Minka-Lavery "The Great Outdoors Two Thousand One" catalog, p. 105, 2001.

\* cited by examiner

*Primary Examiner*—Alan P. Douglas

*Assistant Examiner*—Clare E. Heflin

(74) *Attorney, Agent, or Firm*—Nelson Mullins Riley & Scarborough LLP

(57) **CLAIM**

The ornamental design of a light fixture, substantially as shown and described.

**DESCRIPTION**

FIG. 1 is a perspective view of a light fixture embodying the design of the present invention.

FIG. 2 is a front side elevational view of the light fixture illustrated in FIG. 1.

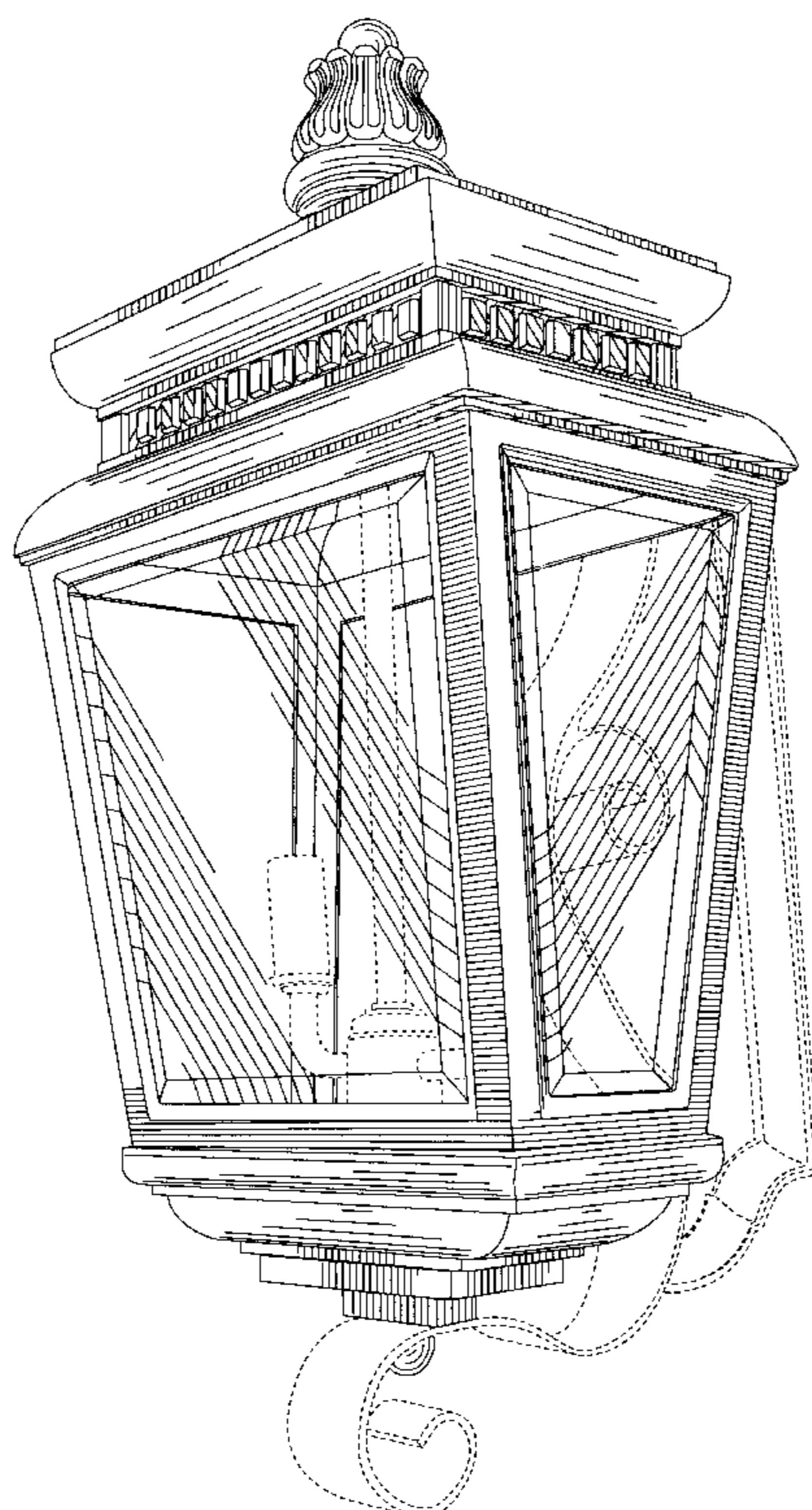
FIG. 3 is a left side elevational view of the light fixture illustrated in FIG. 1, with the right side elevational view being identical thereto.

FIG. 4 is a back side elevational view of the light fixture illustrated in FIG. 1.

FIG. 5 is a bottom view of the light fixture illustrated in FIG. 1; and,

FIG. 6 is a top view of the light fixture illustrated in FIG. 1. The structure shown in broken lines forms no part of the claimed design.

**1 Claim, 6 Drawing Sheets**



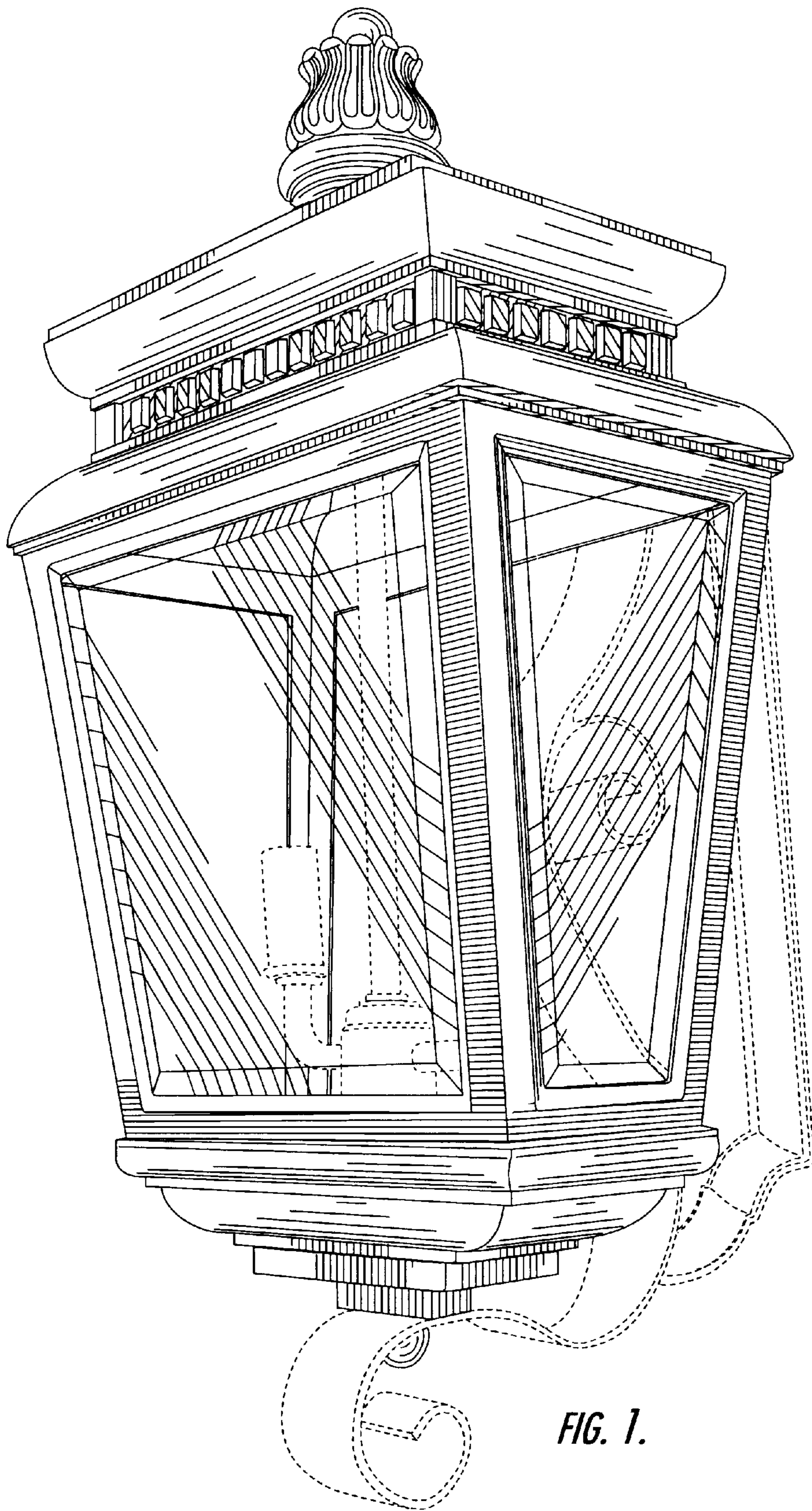
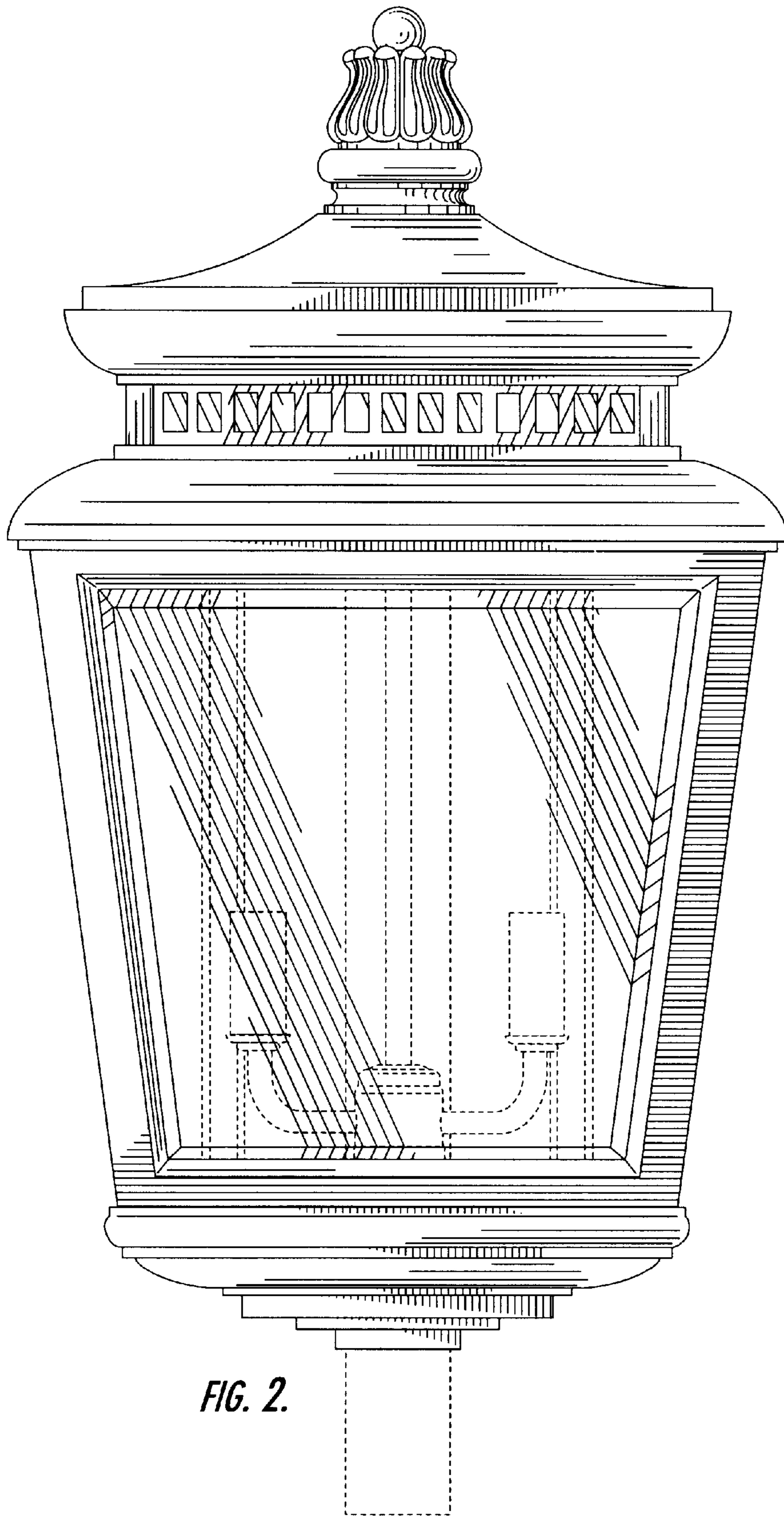
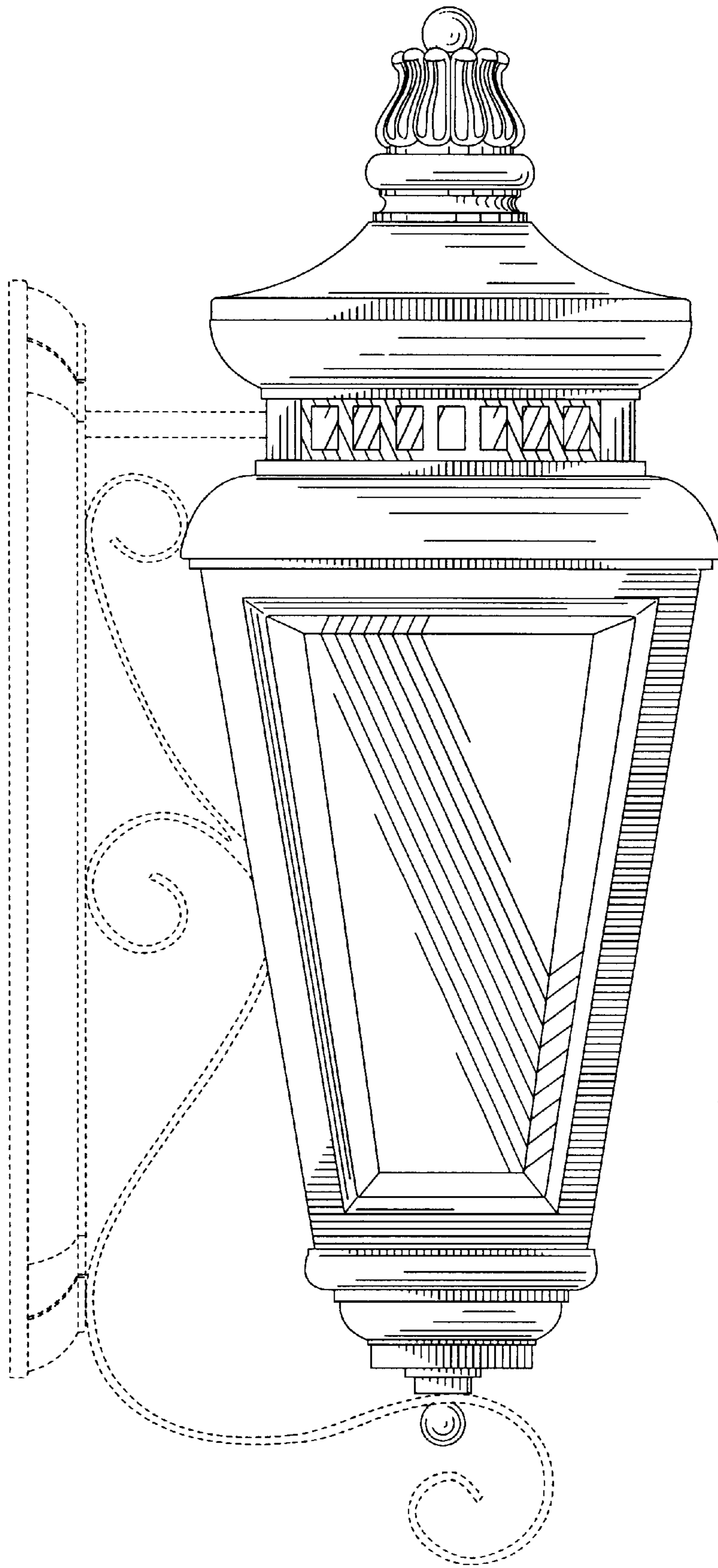


FIG. 1.



*FIG. 2.*



*FIG. 3.*

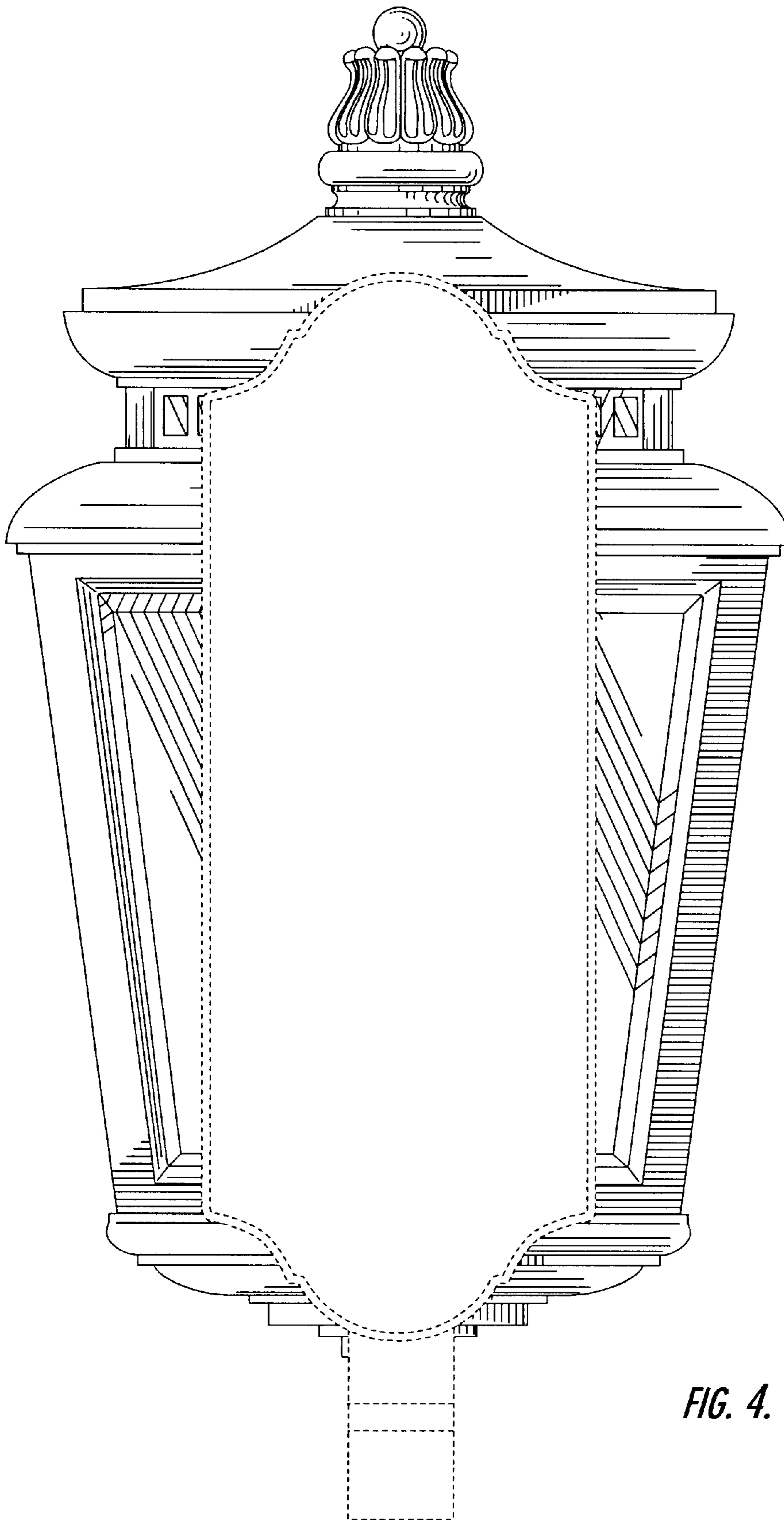


FIG. 4.

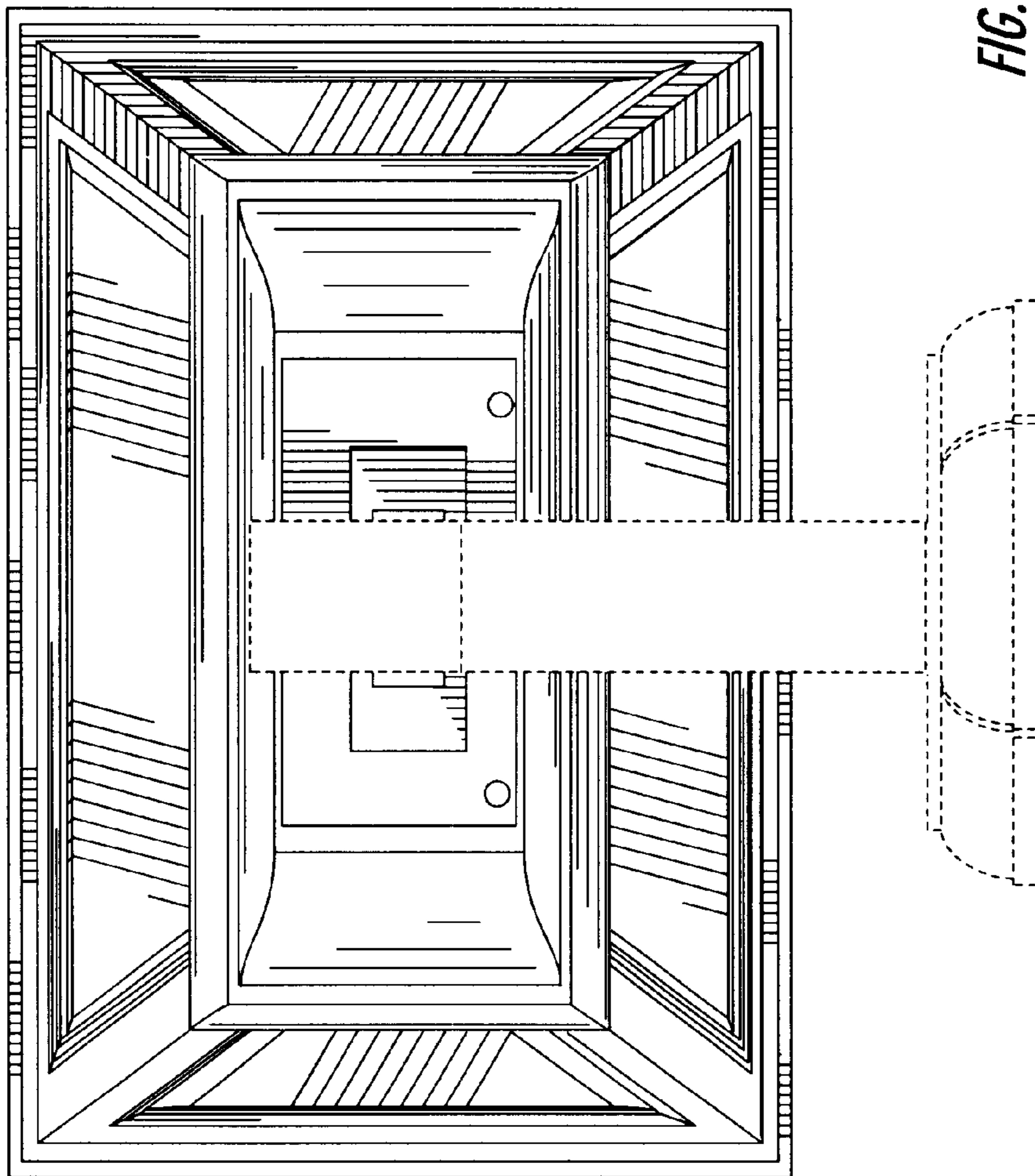


FIG. 5.

