



US00D483138S

(12) **United States Design Patent**  
**Chen**

(10) **Patent No.:** **US D483,138 S**

(45) **Date of Patent:** **\*\* Dec. 2, 2003**

(54) **SOLAR LIGHT**

6,328,457 B1 \* 12/2001 Huang ..... 362/353

(75) Inventor: **Chi Gon Chen**, Guang Zhou (CN)

**OTHER PUBLICATIONS**

(73) Assignee: **International Development Corporation**, Southlake, TX (US)

Progress Lighting Catalog (c) 2000. Item # P5231-20 on p. 318.\*

(\*\*) Term: **14 Years**

\* cited by examiner

(21) Appl. No.: **29/176,013**

*Primary Examiner*—Clare E. Heflin

(22) Filed: **Feb. 14, 2003**

(74) *Attorney, Agent, or Firm*—Gardere Wynne Sewell LLP; Kenneth T. Emanuelson

(51) **LOC (7) Cl.** ..... **26-05**

(52) **U.S. Cl.** ..... **D26/67**

(58) **Field of Search** ..... D26/67-72, 88,  
D26/89; 362/153, 153.1, 159, 209, 266,  
267, 269, 273, 363, 431, 432, 805, 147,  
404-408

(57) **CLAIM**

The ornamental design for the solar light, as shown and described.

(56) **References Cited**

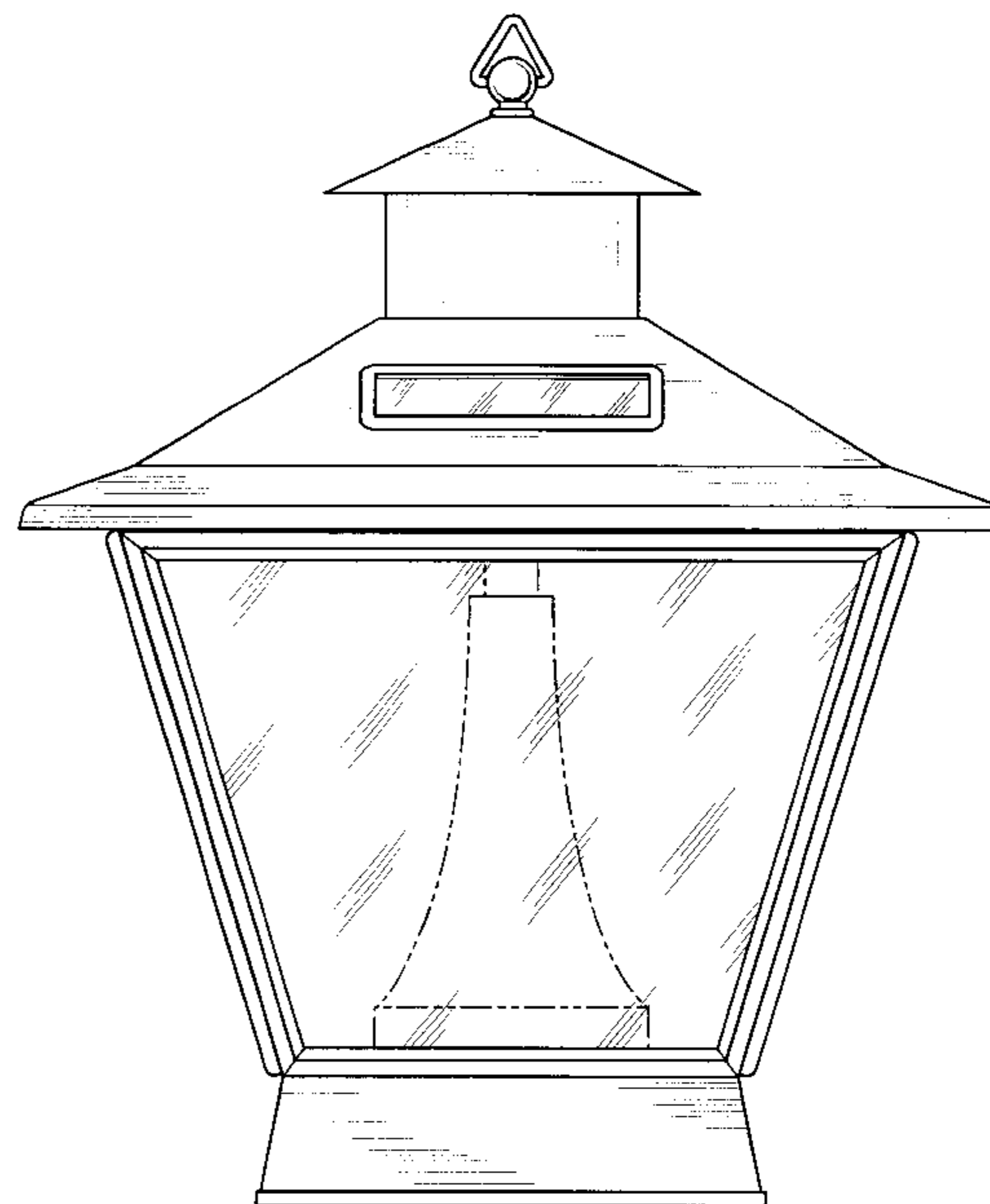
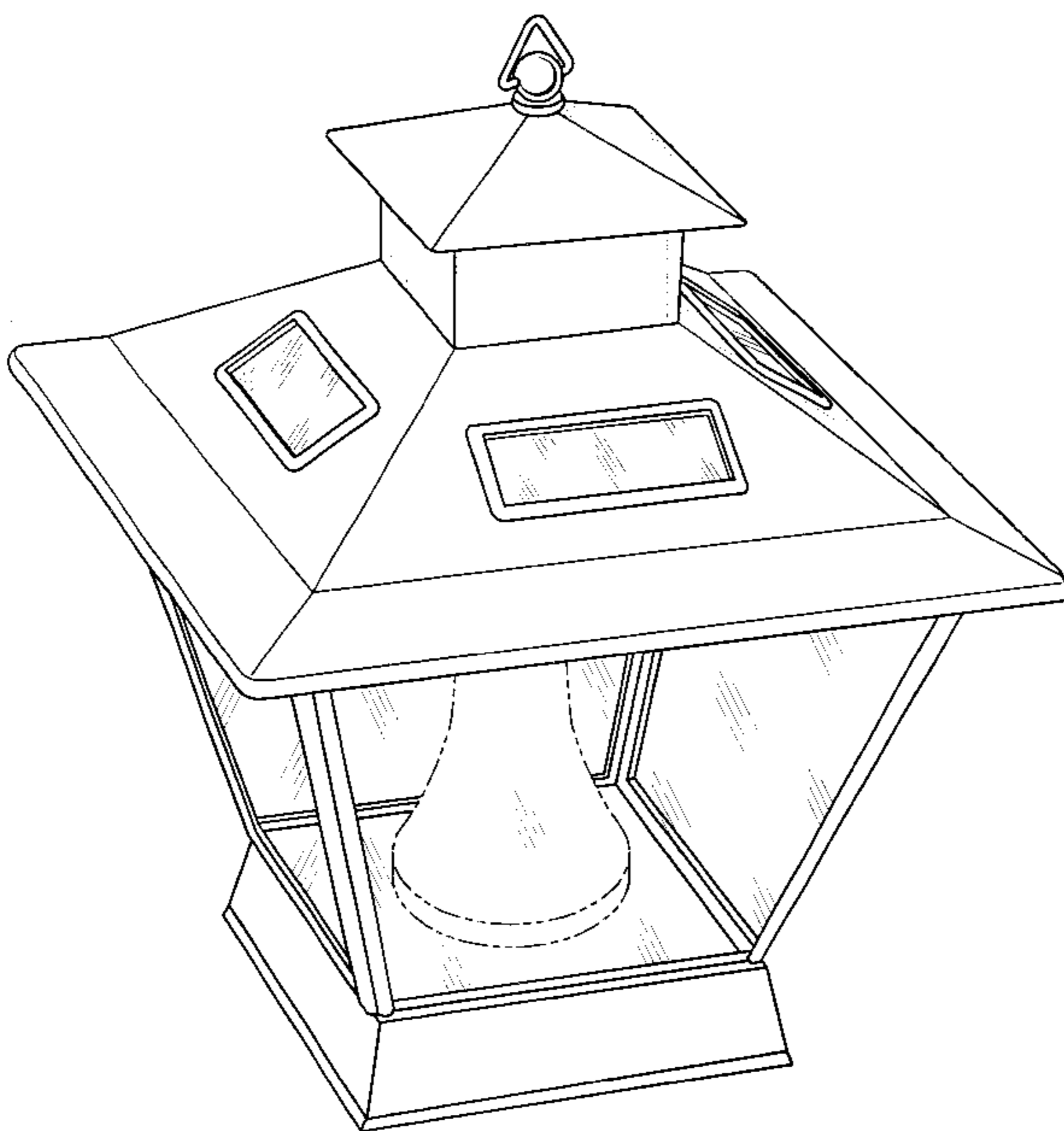
**U.S. PATENT DOCUMENTS**

D21,973 S	*	11/1892	Warren, Jr.	.....	D26/68
D346,873 S	*	5/1994	Frost	.....	D26/67
D427,352 S	*	6/2000	Miranda	.....	D26/72
D445,939 S	*	7/2001	Pan	.....	D26/72

**DESCRIPTION**

FIG. 1 is a three-dimensional view of a solar light showing my new design;  
FIG. 2 is a front view thereof;  
FIG. 3 is a top view thereof, and,  
FIG. 4 is a bottom view thereof.  
The broken lines shown on the drawings are for illustrative purposes only and form no part of the claimed design.

**1 Claim, 2 Drawing Sheets**



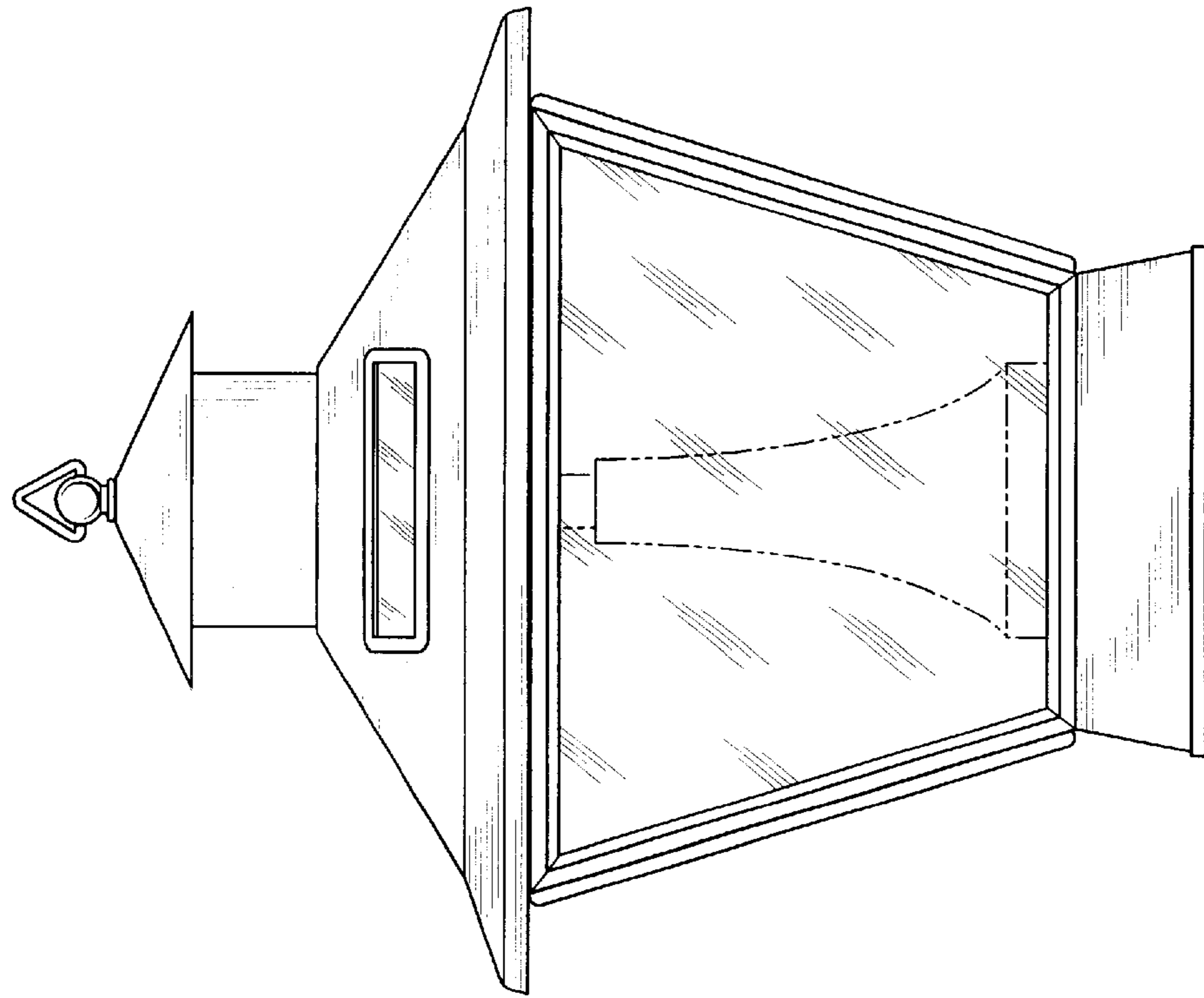


Fig. 2

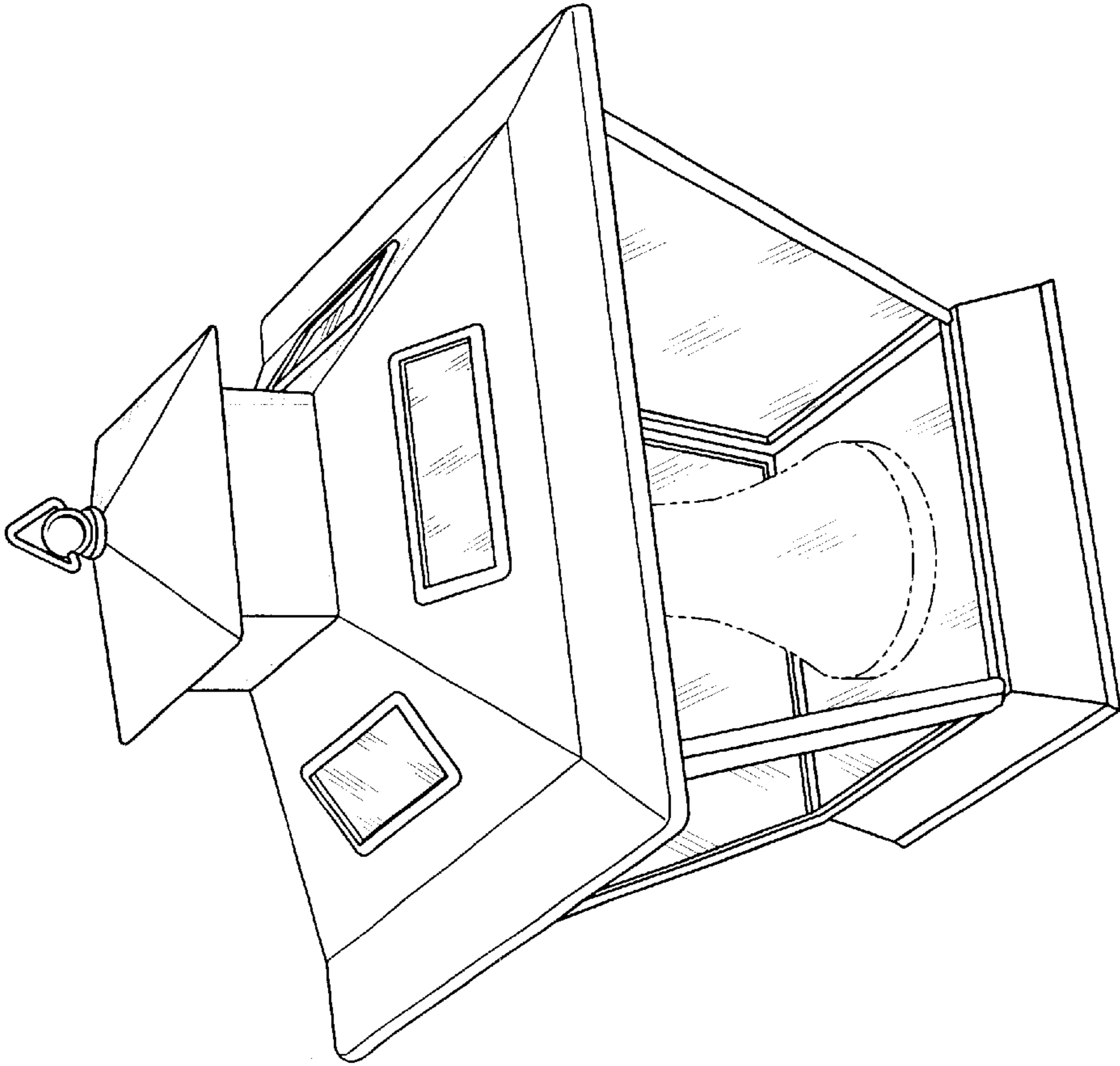
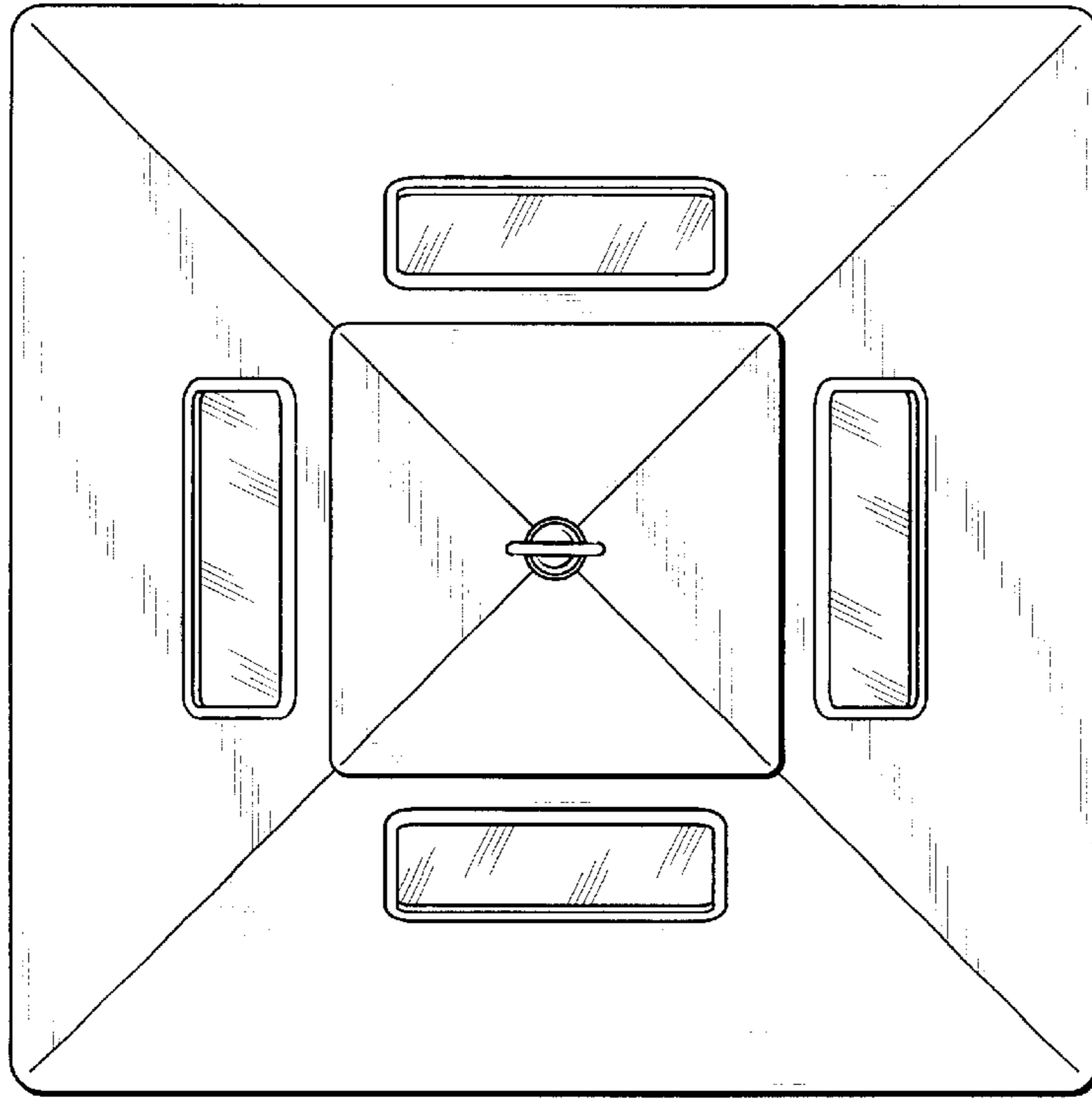
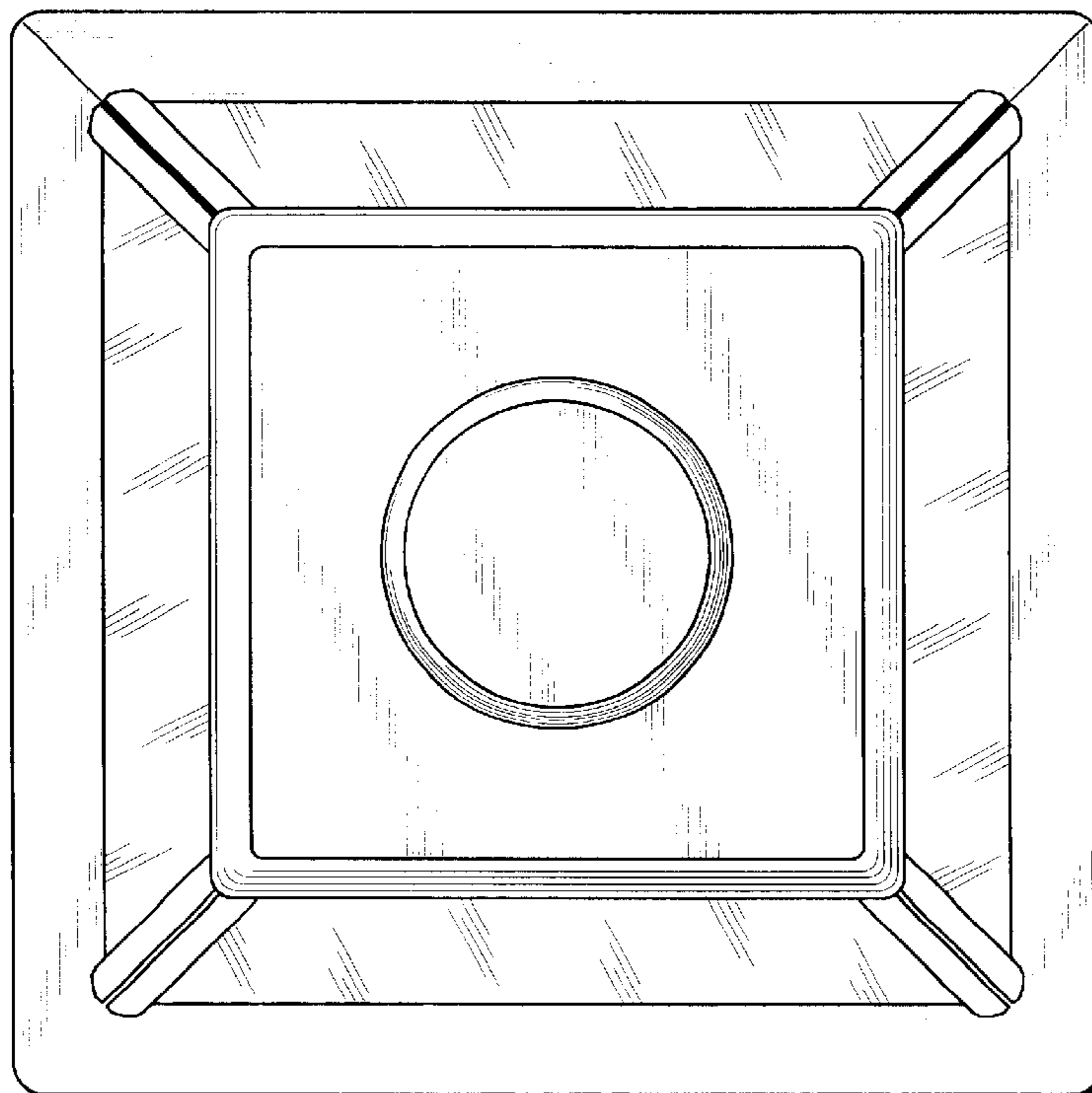


Fig. 1



*Fig.3*



*Fig.4*