



US00D483137S

(12) **United States Design Patent**
Yuen

(10) **Patent No.:** **US D483,137 S**

(45) **Date of Patent:** **** Dec. 2, 2003**

(54) **CD TUNER, SPOTLIGHT AND FLUORESCENT LANTERN**

(75) **Inventor:** **Se Kit Yuen, Kwun Tong (HK)**

(73) **Assignee:** **John Manufacturing Ltd., Kowloon (HK)**

(**) **Term:** **14 Years**

(21) **Appl. No.:** **29/161,929**

(22) **Filed:** **Jun. 5, 2002**

(51) **LOC (7) Cl.** **26-02**

(52) **U.S. Cl.** **D26/38**

(58) **Field of Search** D26/37-50; D14/168, D14/188, 189; 362/157, 158, 171, 172, 173, 183-208

(56) **References Cited**

U.S. PATENT DOCUMENTS

D376,023 S	11/1996	Yuen	
D423,127 S	* 4/2000	Yuen	D26/38
D425,640 S	* 5/2000	Yuen	D26/38
D426,661 S	* 6/2000	Yuen	D26/38
D428,172 S	* 7/2000	Yuen	D26/38
D438,995 S	* 3/2001	Yuen	D26/38
D440,334 S	4/2001	Yuen	
D440,678 S	4/2001	Yuen	
D441,110 S	* 4/2001	Lam	D26/38

D450,143 S * 11/2001 Lam D26/38

* cited by examiner

Primary Examiner—Marcus A. Jackson

(74) *Attorney, Agent, or Firm*—Merchant & Gould P.C.

(57) **CLAIM**

The ornamental design for CD tuner, spotlight and fluorescent lantern, as shown and described.

DESCRIPTION

FIG. 1 is a front elevational view of one embodiment of a CD tuner, spotlight and fluorescent lantern in accordance with my invention;

FIG. 2 is a rear elevational view thereof;

FIG. 3 is a top elevational view thereof;

FIG. 4 is a bottom elevational view thereof;

FIG. 5 is a left side elevational view thereof;

FIG. 6 is a right side elevational view thereof;

FIG. 7 is a left side elevational view with the part of spotlight compartment and fluorescent compartment rotated thereof;

FIG. 8 is a rear elevational view with the part of fluorescent compartment rotated thereof; and,

FIG. 9 is a top elevational view with the part of spotlight compartment rotated of a CD tuner, spotlight and fluorescent lantern.

1 Claim, 6 Drawing Sheets

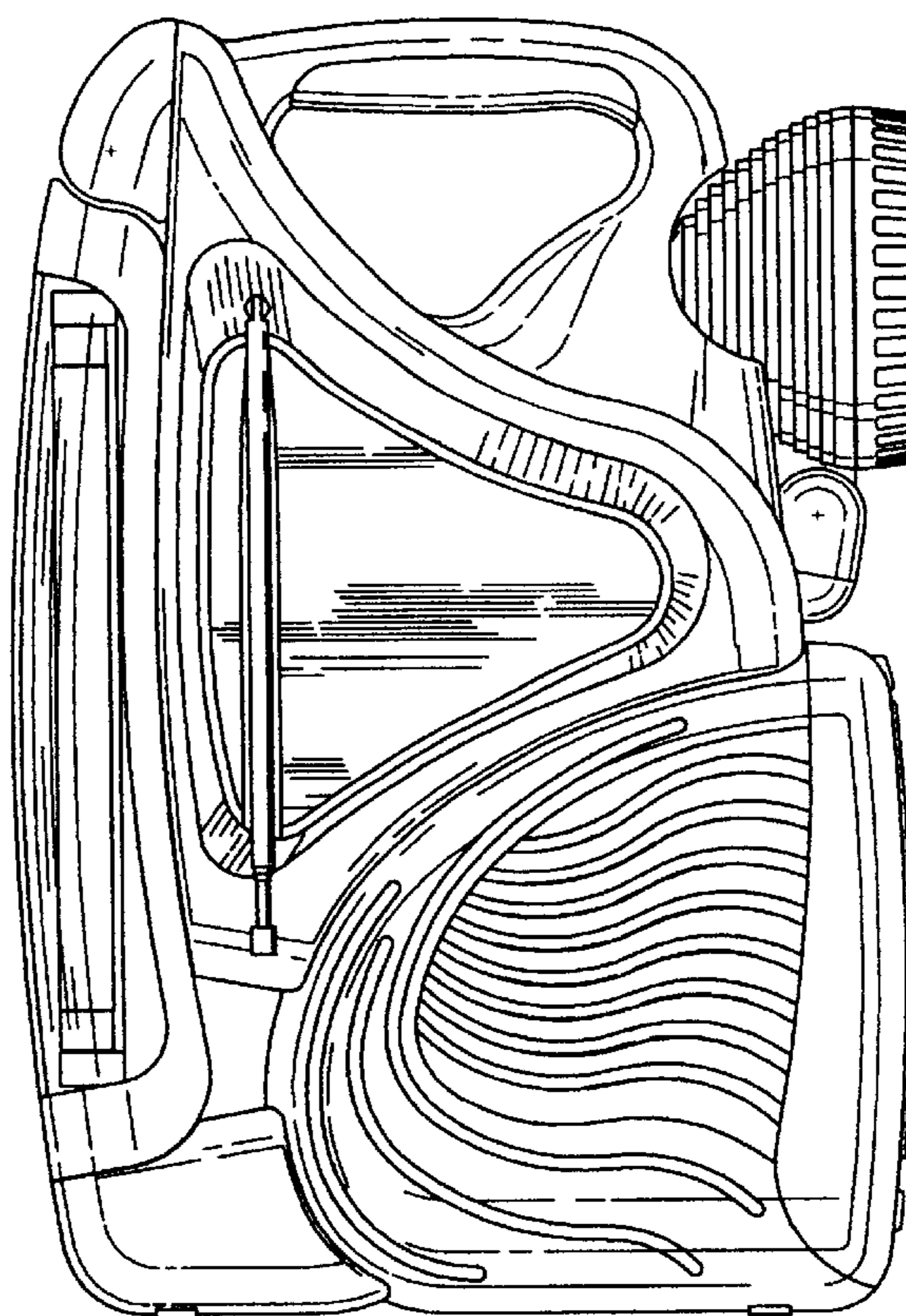
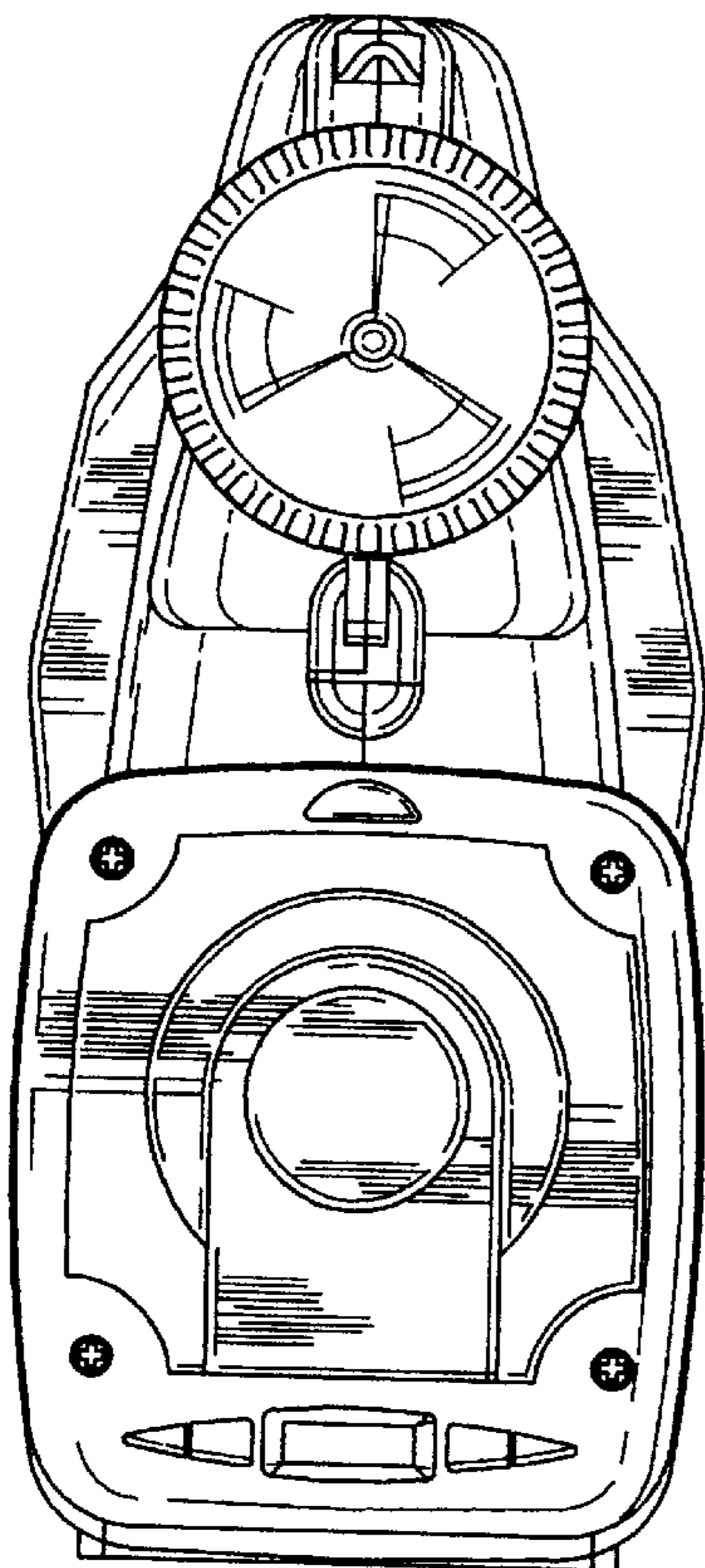


FIG. 1

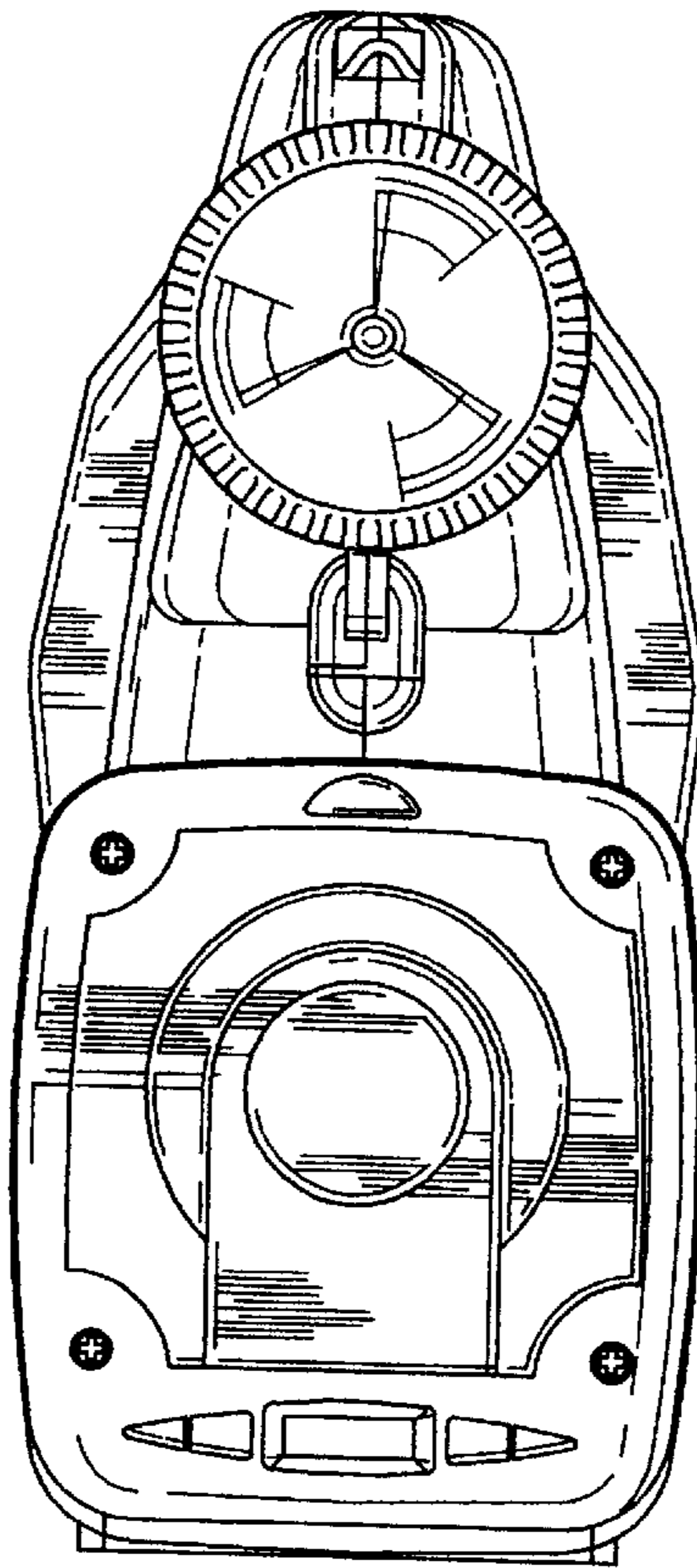


FIG. 2

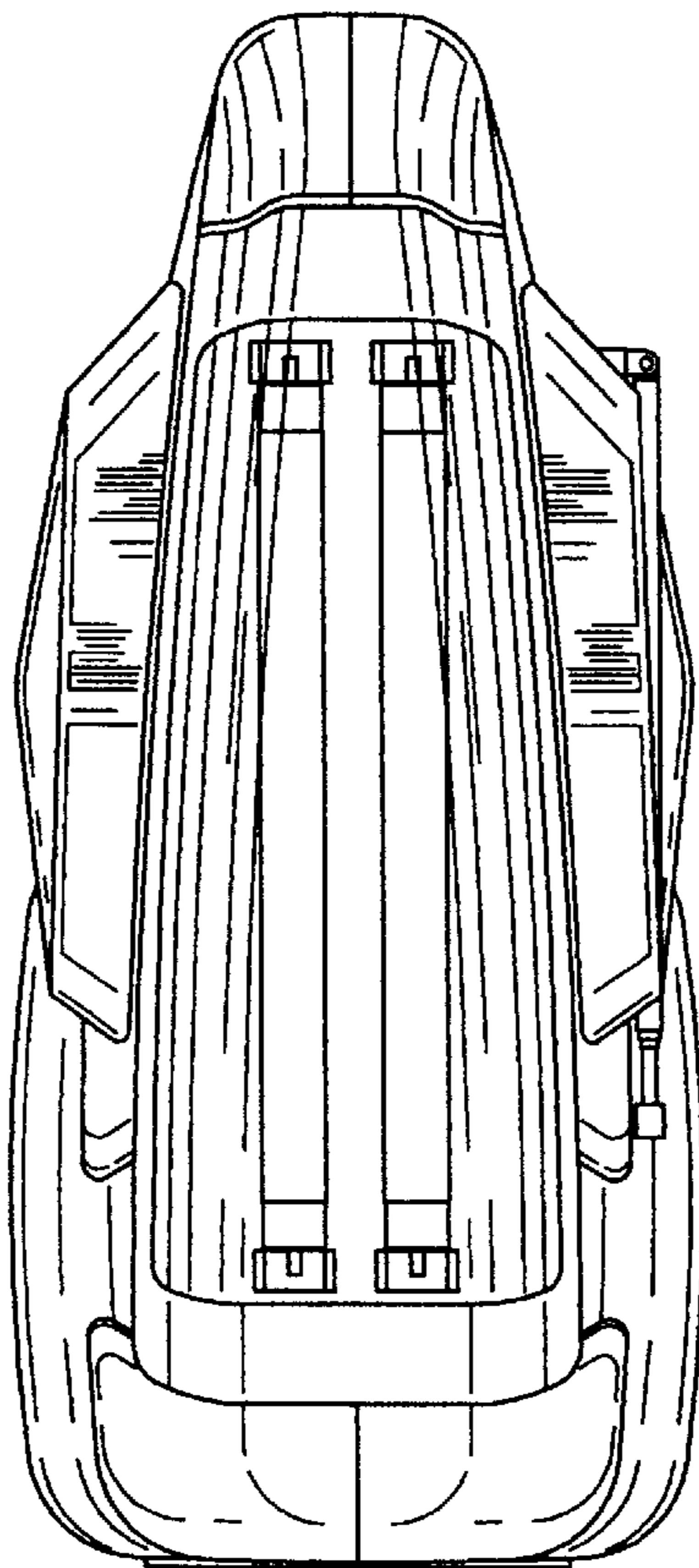


FIG. 3

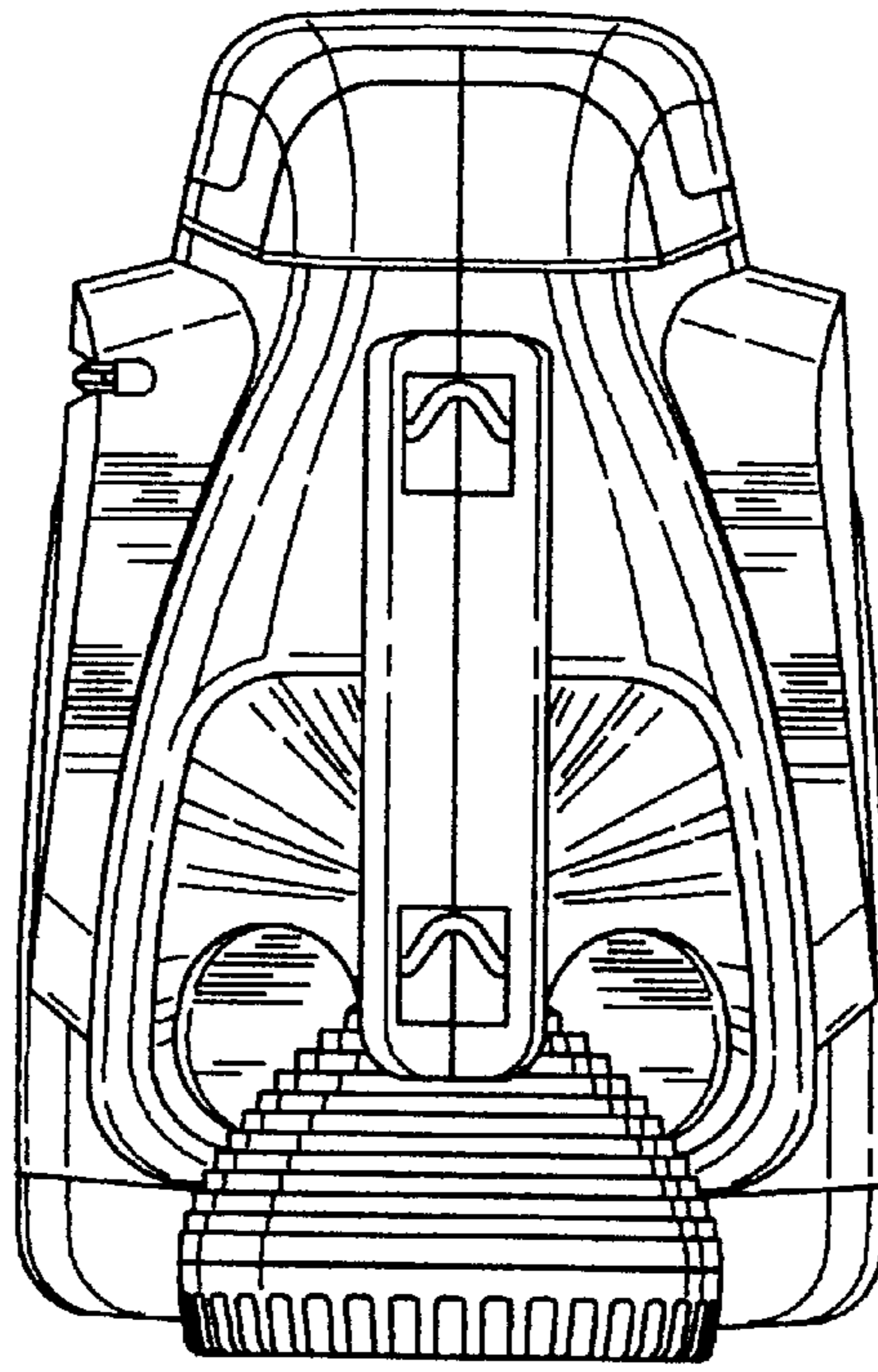


FIG. 4

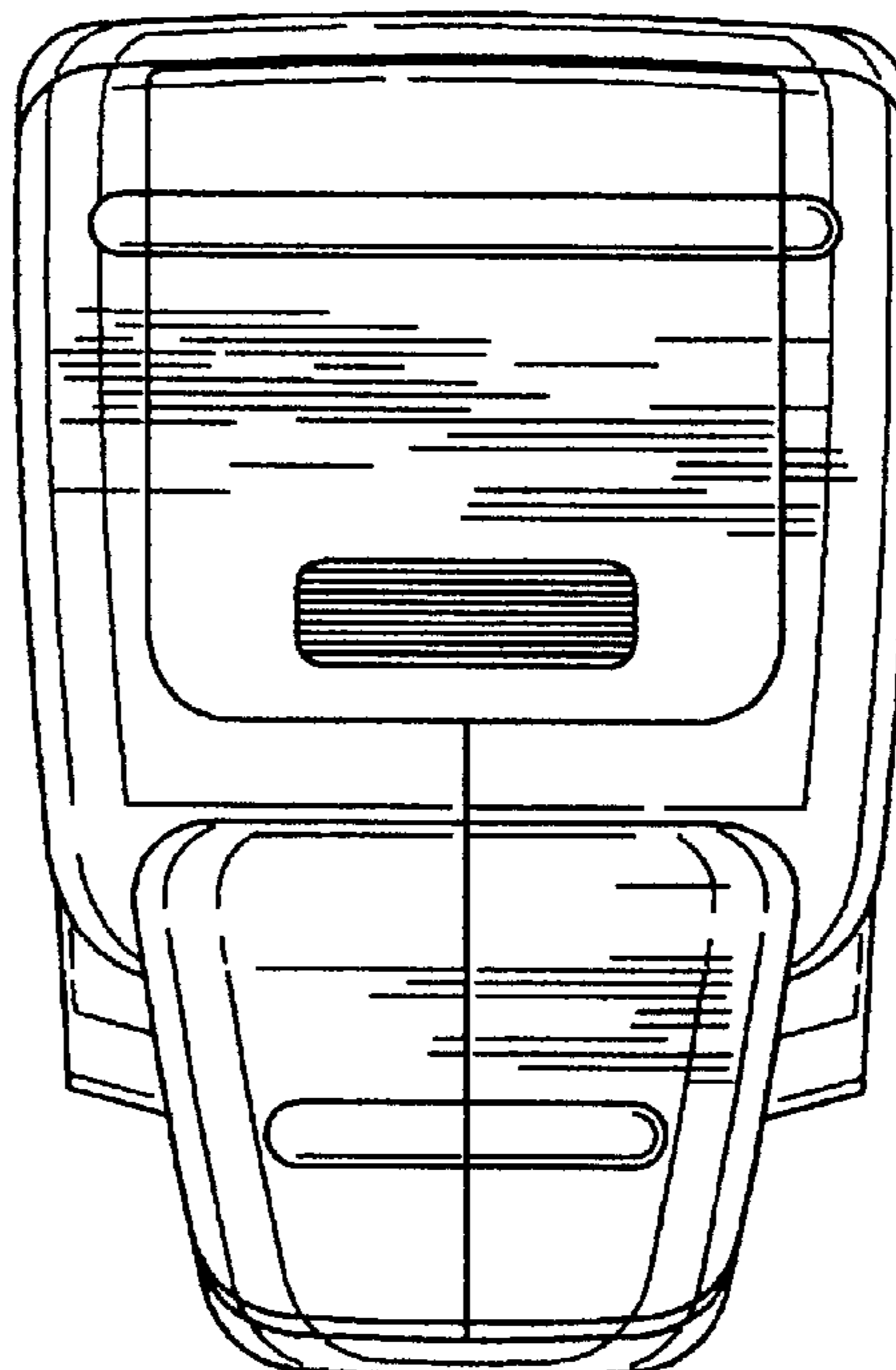


FIG. 5

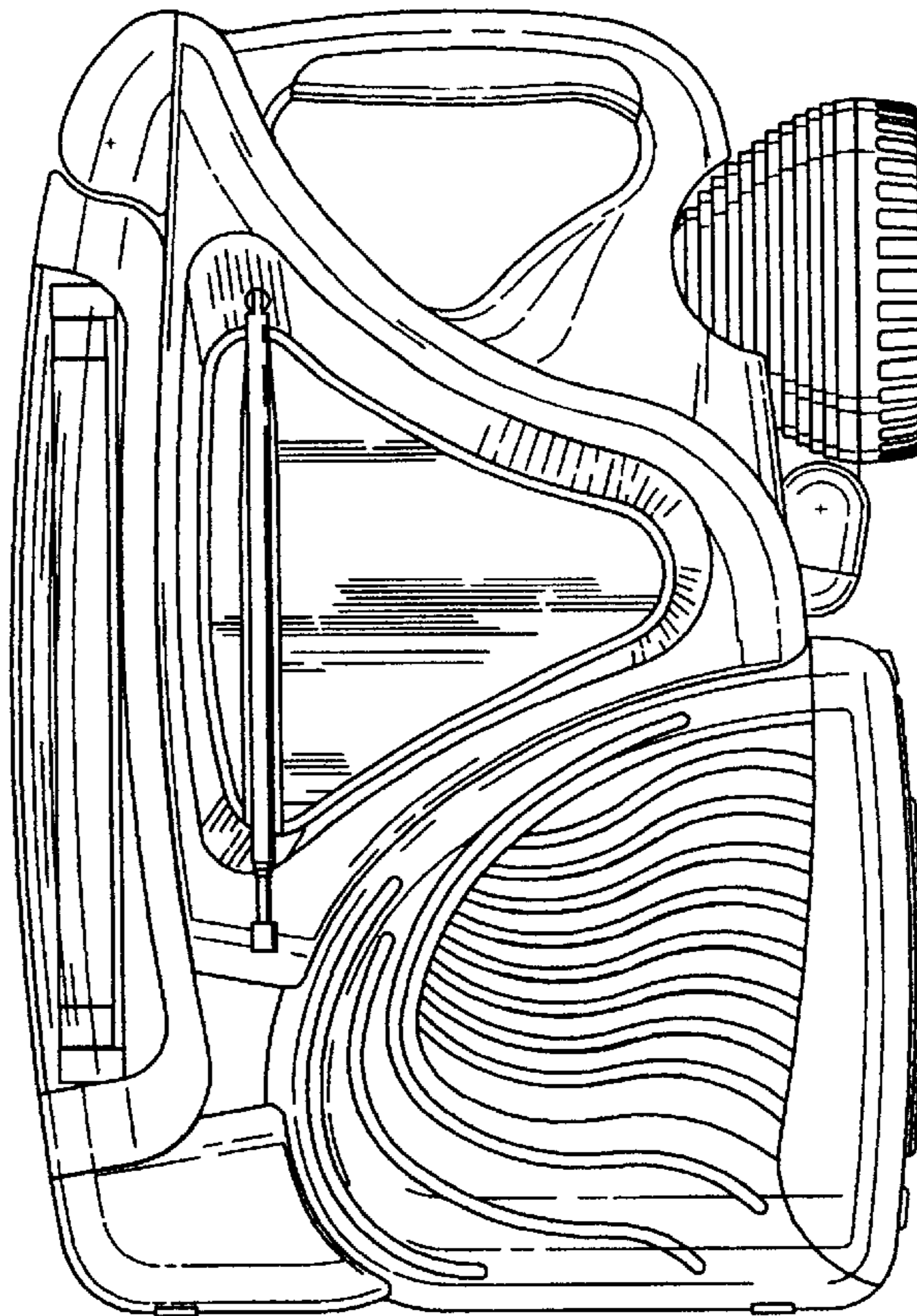
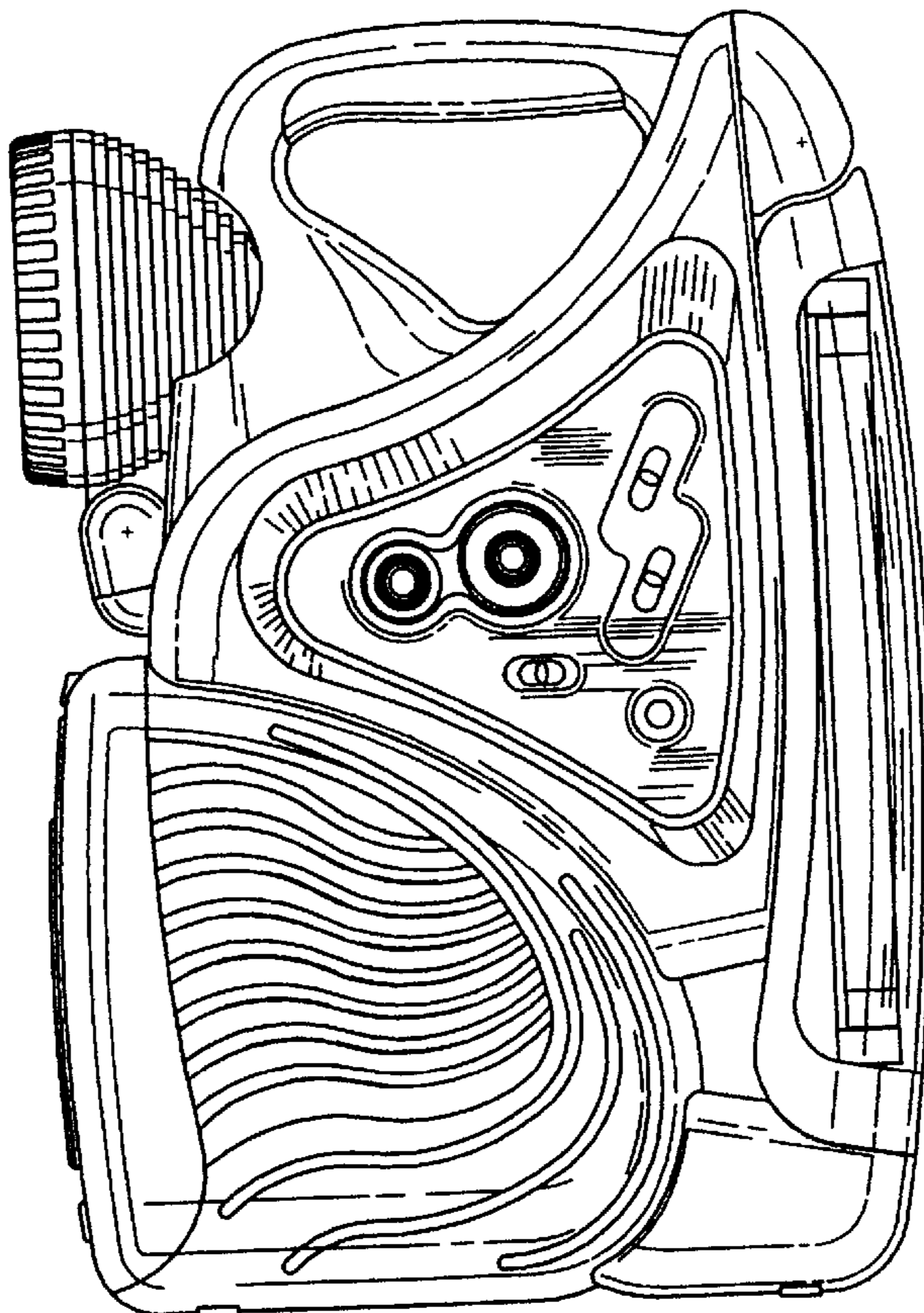


FIG. 6



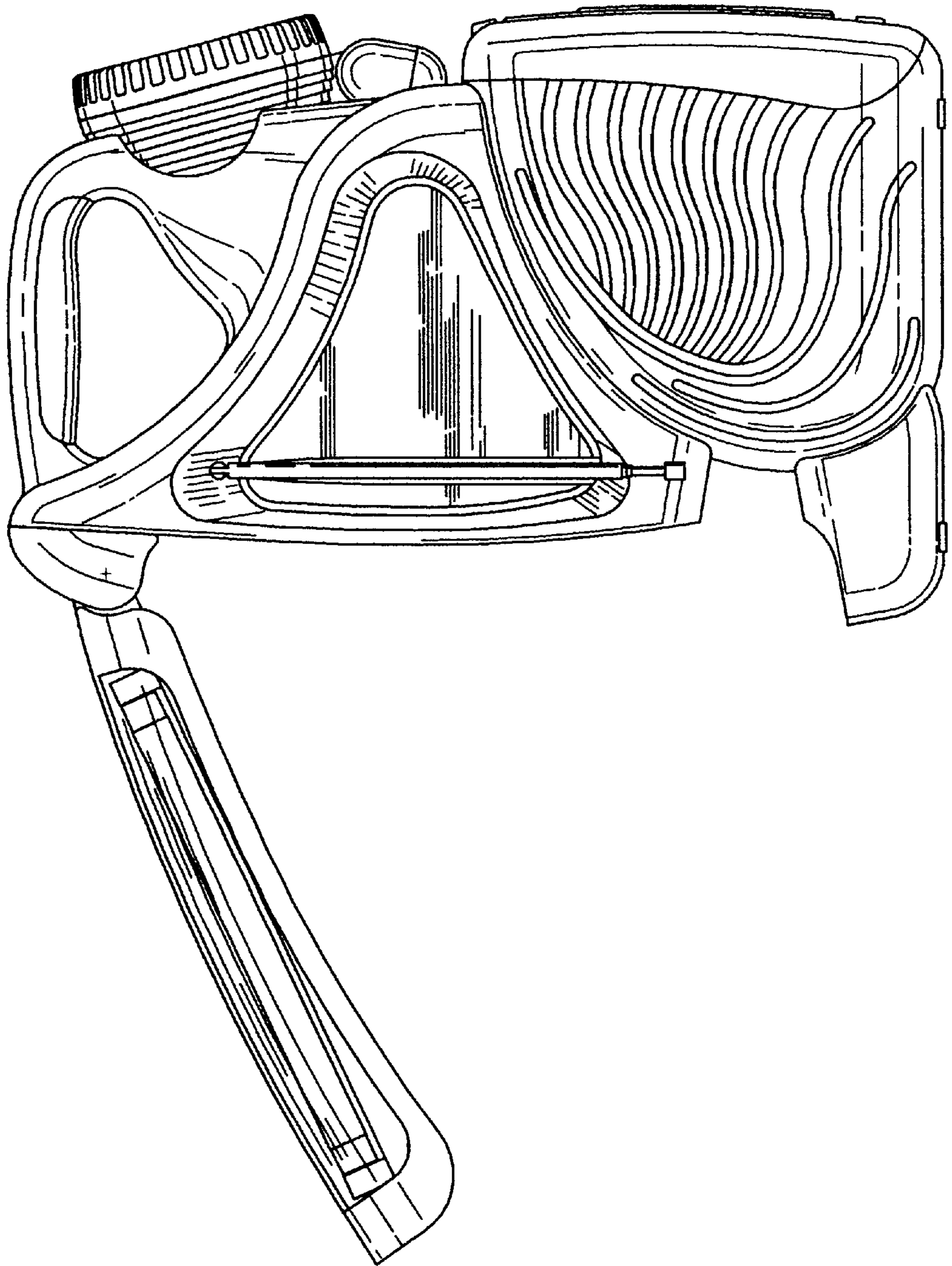


FIG. 7

FIG. 8

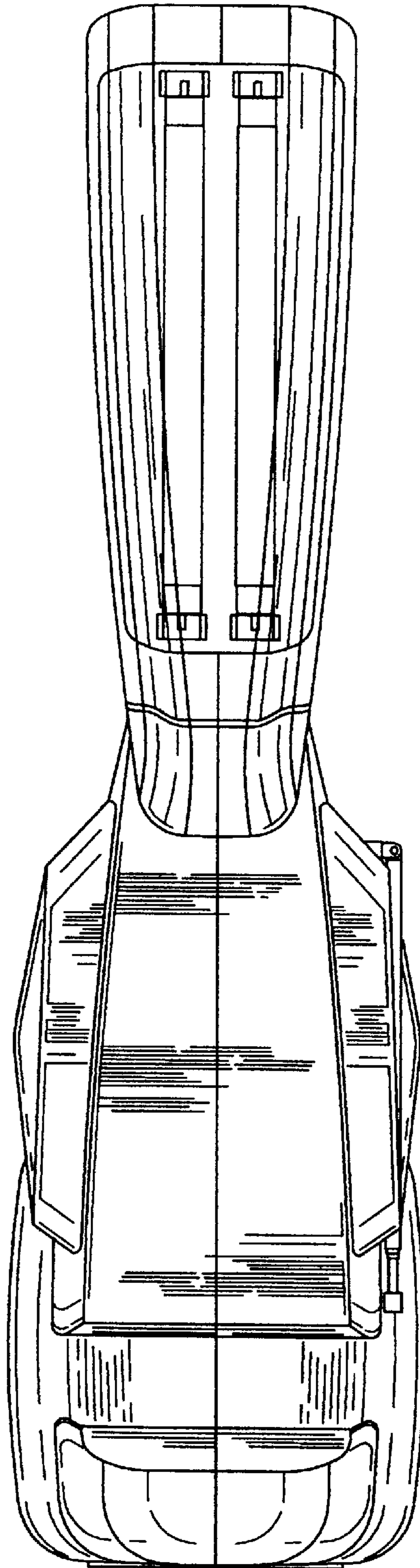


FIG. 9

