



US00D483136S

(12) **United States Design Patent**  
**Poon**

(10) **Patent No.:** **US D483,136 S**

(45) **Date of Patent:** **\*\* Dec. 2, 2003**

(54) **EXTENDABLE LAMP**

D449,704 S \* 10/2001 Zhong ..... D26/49

(75) Inventor: **Tit Wing Poon**, Shatin (CN)

\* cited by examiner

(73) Assignee: **Flying Dragon Development Ltd.**,  
Shatin, N.T. (CN)

*Primary Examiner*—Marcus A. Jackson

(74) *Attorney, Agent, or Firm*—Alix, Yale & Ristas, LLP

(\*\*) Term: **14 Years**

(57) **CLAIM**

(21) Appl. No.: **29/174,041**

The ornamental design for an extendable lamp, as shown and described.

(22) Filed: **Jan. 10, 2003**

**DESCRIPTION**

(30) **Foreign Application Priority Data**

Jul. 11, 2002 (HK) ..... 0211036

FIG. 1 is a front view of the extendable lamp showing my new design;

(51) **LOC (7) Cl.** ..... **26-02**

FIG. 2 is a rear view of the extendable lamp of FIG. 1;

(52) **U.S. Cl.** ..... **D26/37; D26/49**

FIG. 3 is a left side view of the extendable lamp of FIG. 1;

(58) **Field of Search** ..... D26/37-50; 362/157,  
362/158, 171, 172, 173, 183-208

FIG. 4 is a right side view of the extendable lamp of FIG. 1;

FIG. 5 is a top plan view of the extendable lamp of FIG. 1;

FIG. 6 is a bottom plan view of the extendable lamp of FIG. 1;

1; and,

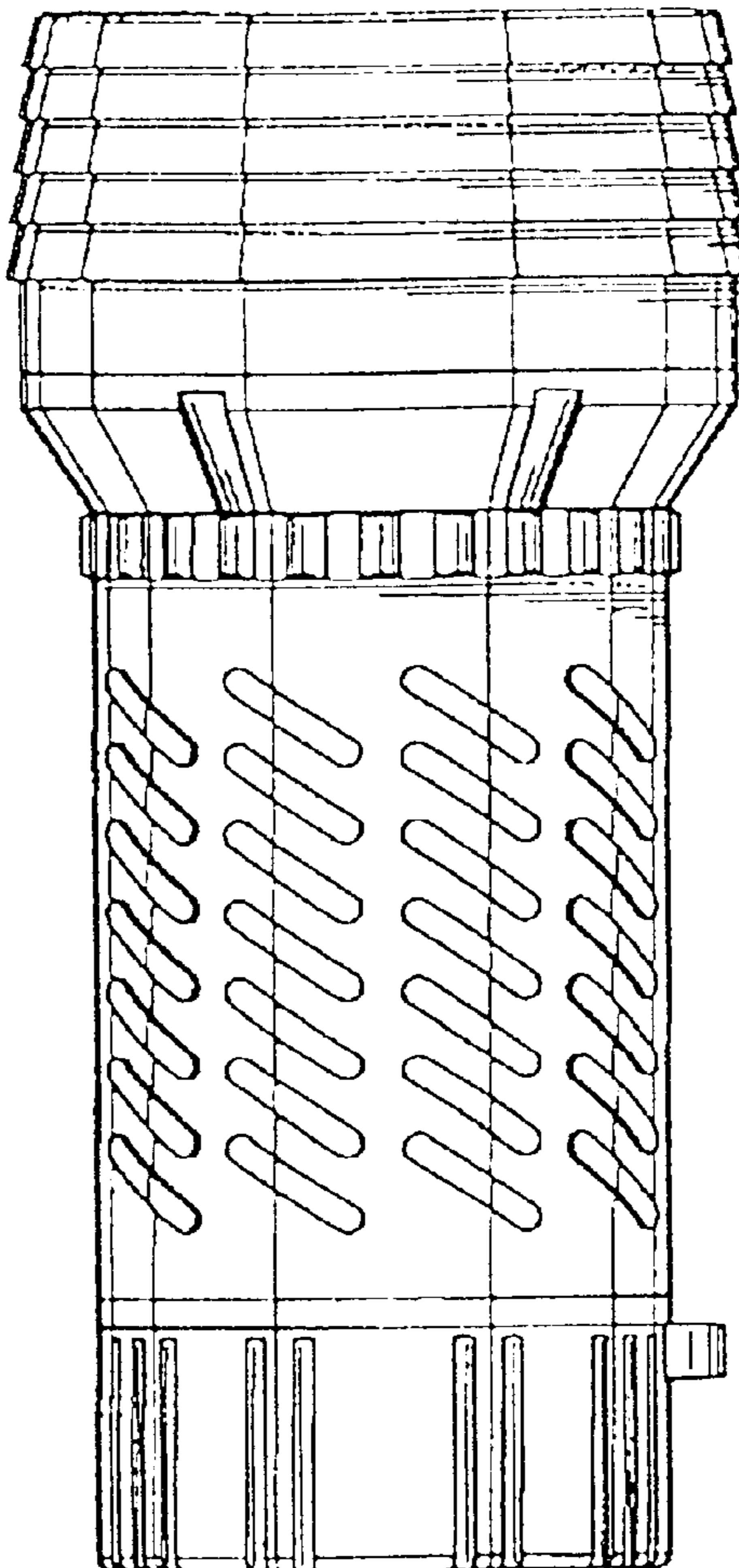
(56) **References Cited**

FIG. 7 is a front side view of the extendable lamp of FIG. 1, wherein said extendable lamp is in an extended position.

**U.S. PATENT DOCUMENTS**

D445,521 S \* 7/2001 Israel et al. .... D26/49

**1 Claim, 4 Drawing Sheets**



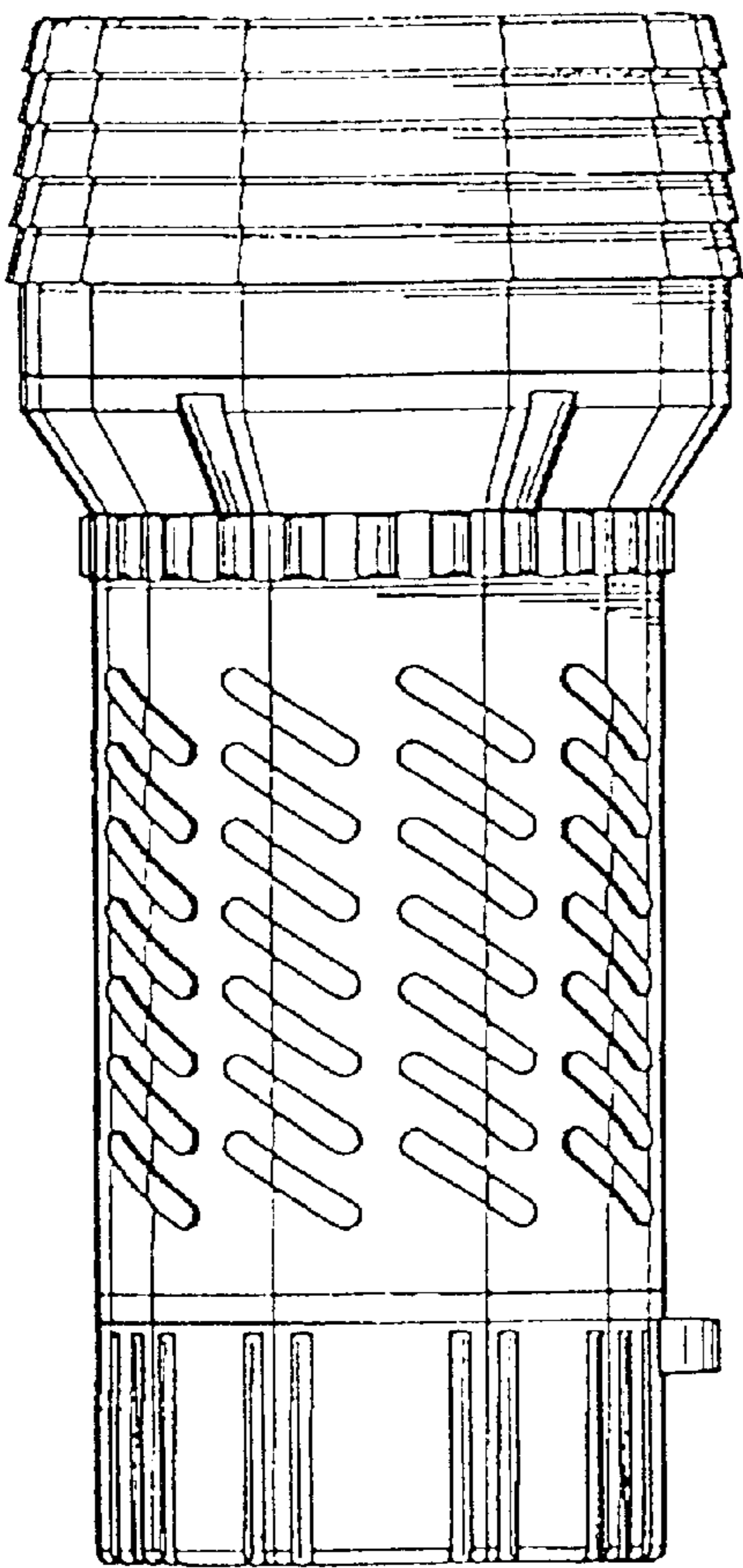


FIG. 1

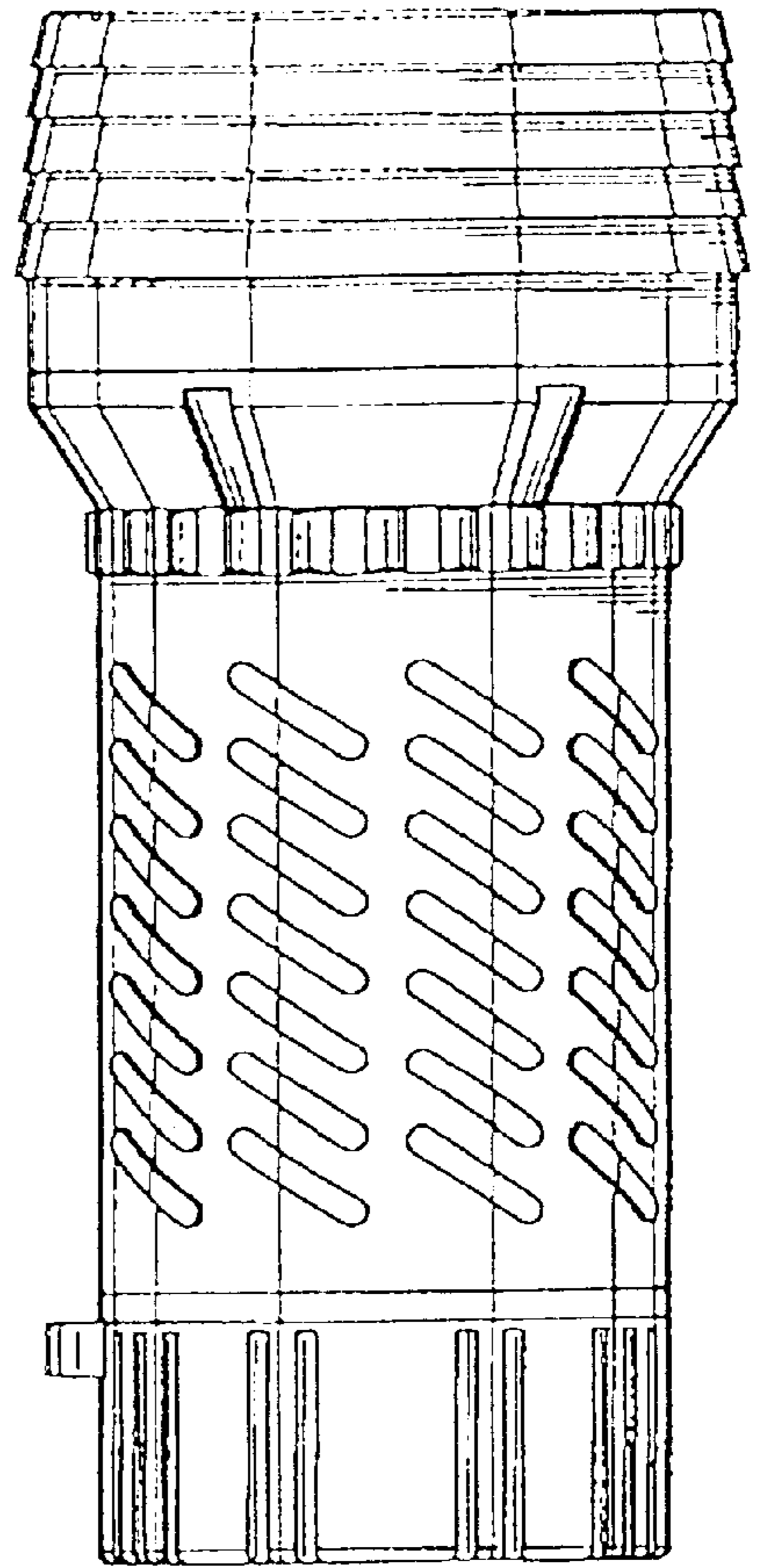


FIG. 2

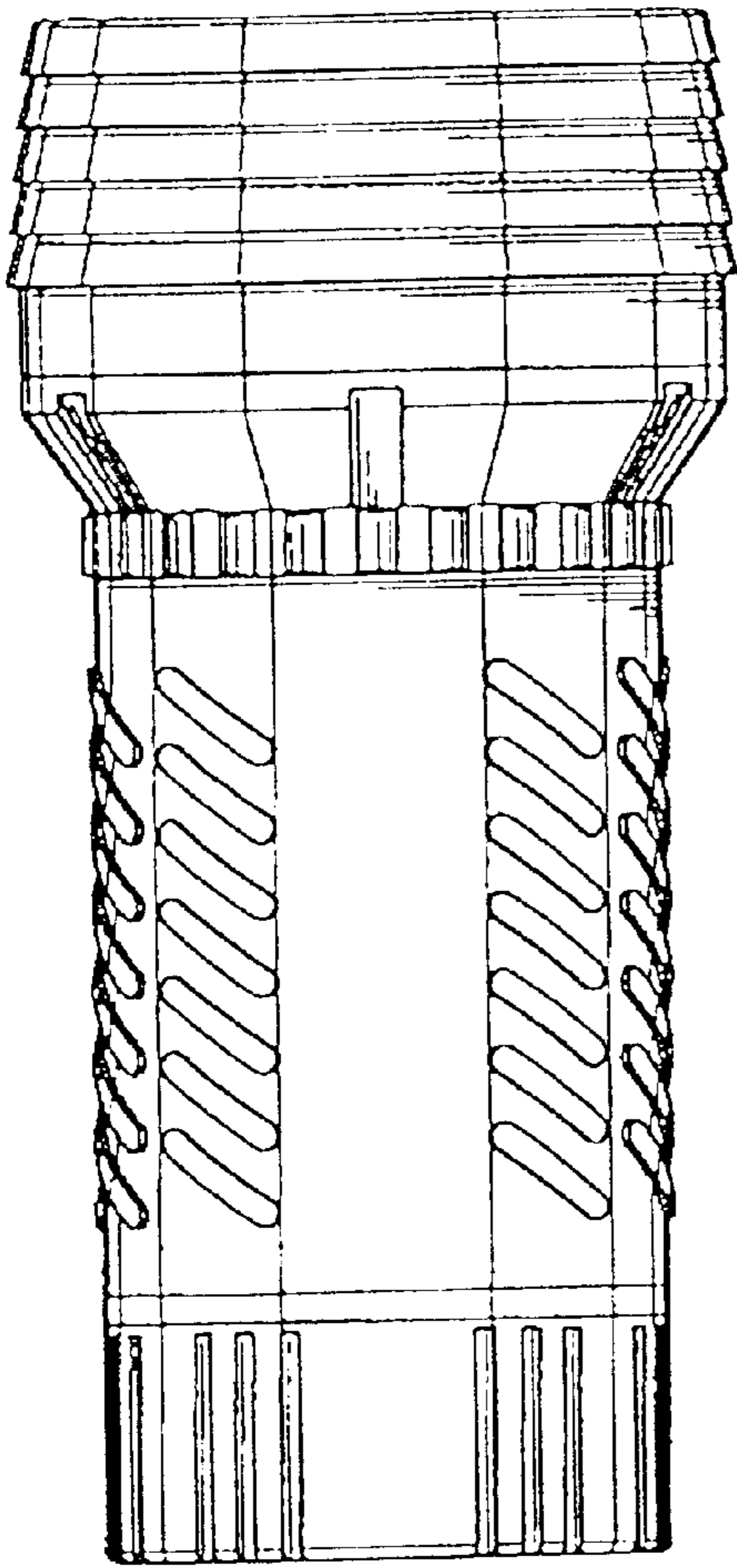


FIG. 3

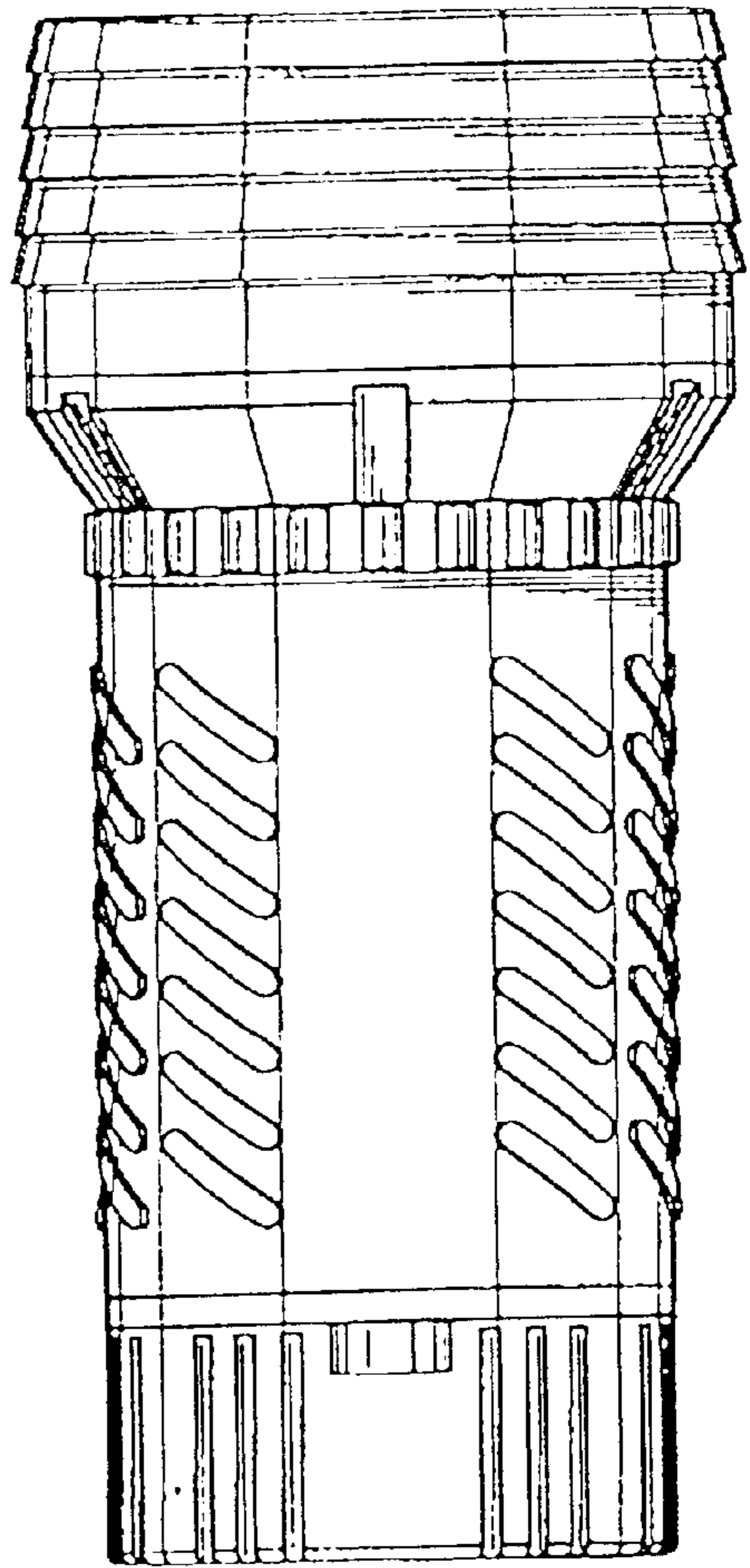


FIG. 4

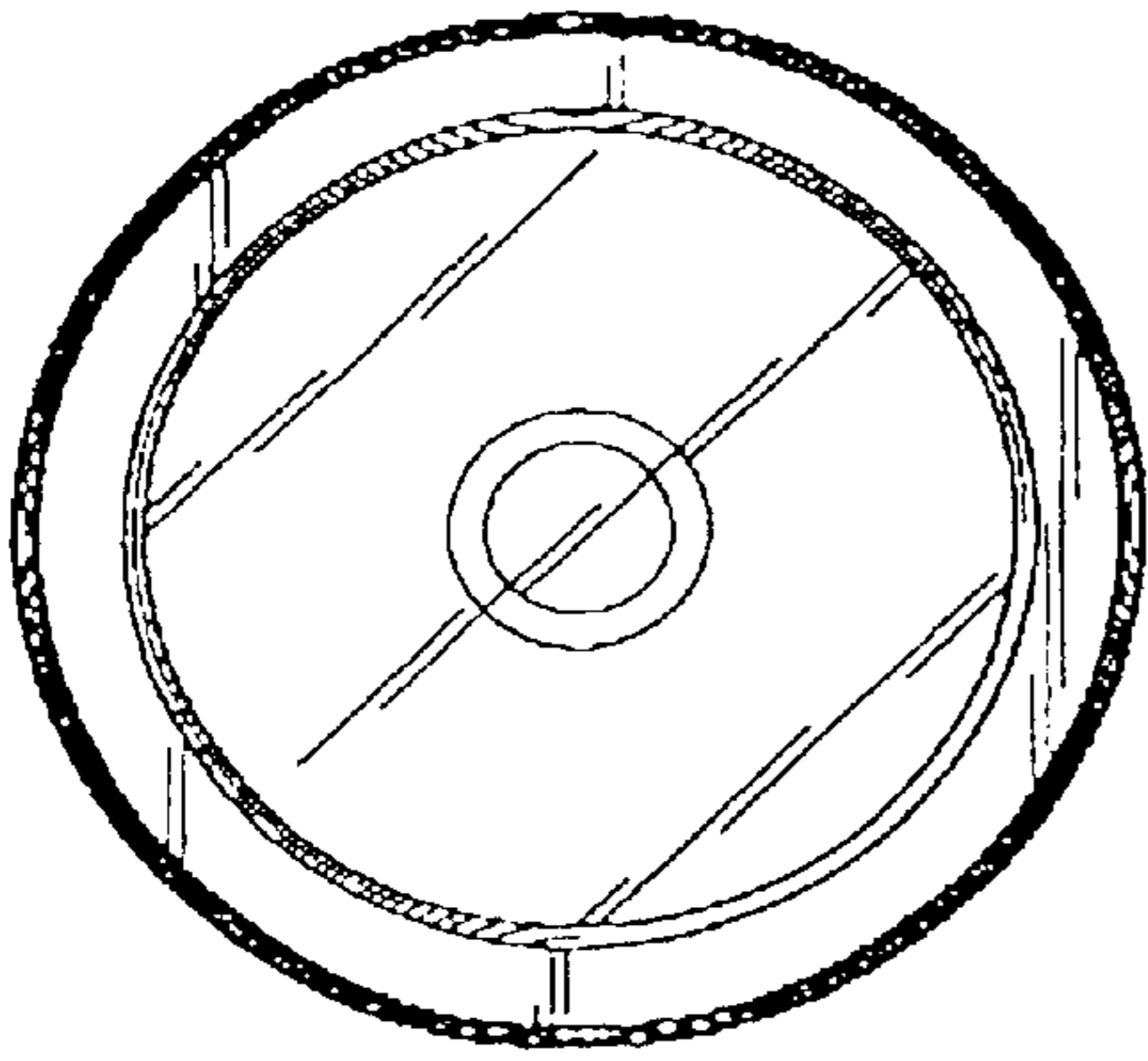


FIG. 5

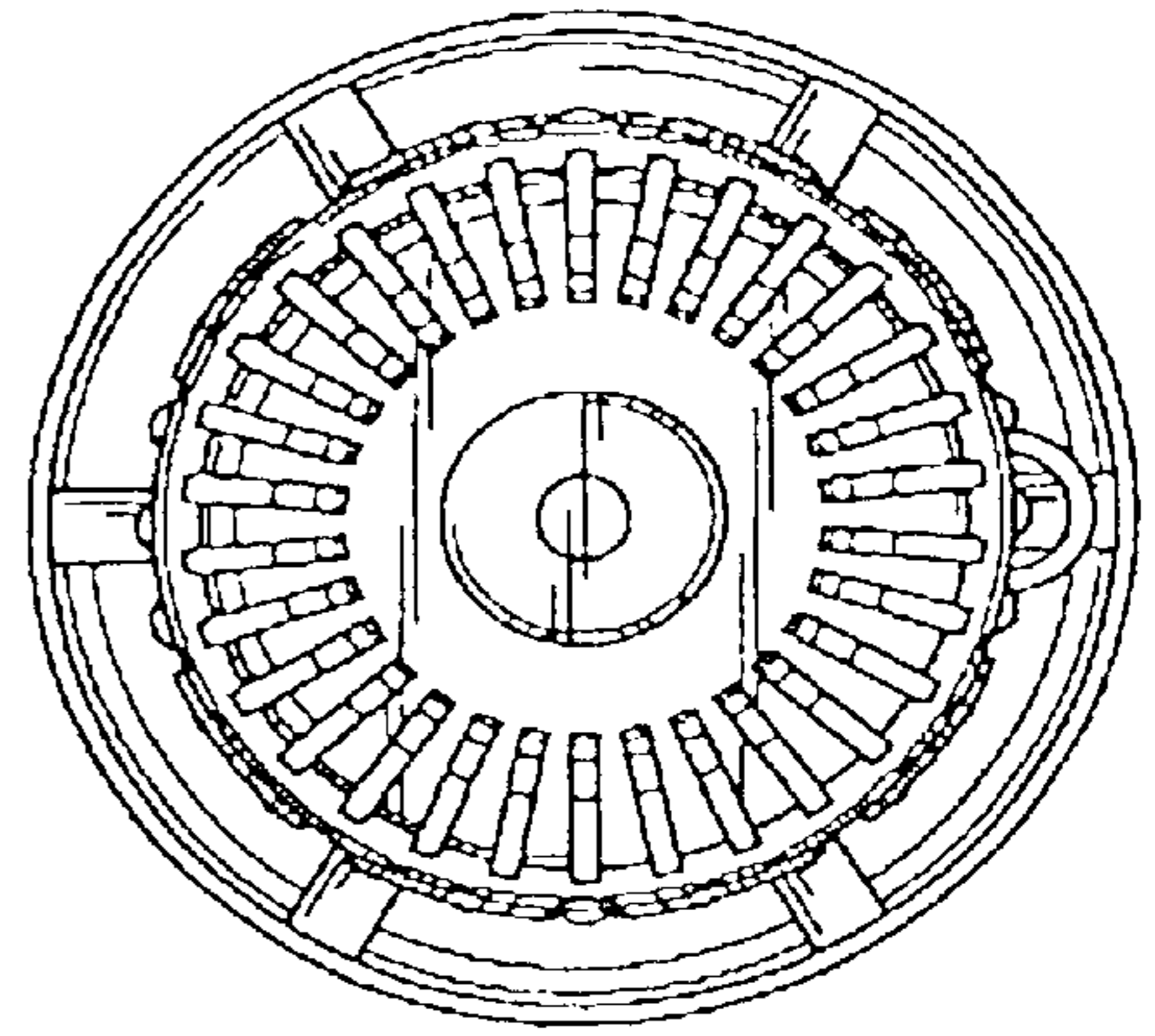


FIG. 6



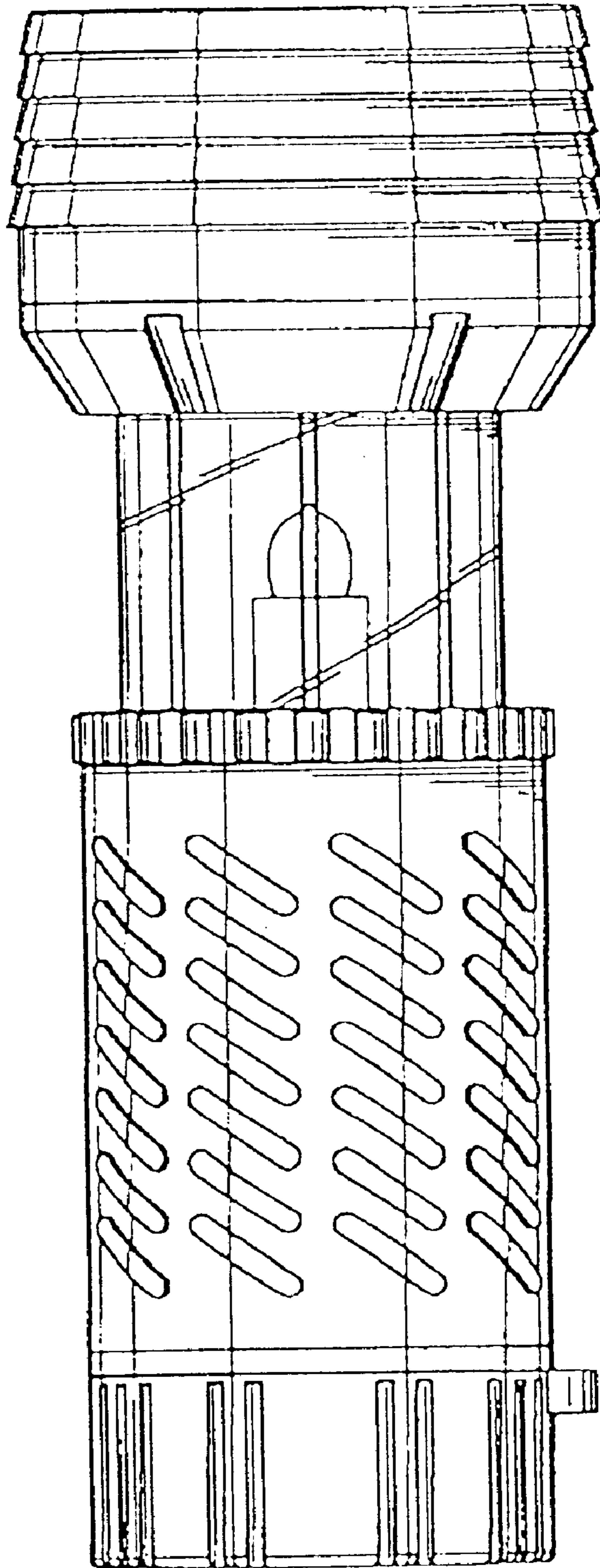


FIG. 7