



US00D483134S

(12) **United States Design Patent**
Shih

(10) **Patent No.:** **US D483,134 S**

(45) **Date of Patent:** **** Dec. 2, 2003**

(54) **AUTOMOBILE LIGHT**

D467,368 S * 12/2002 Lin D26/28

(75) **Inventor:** **Chien-Wen Shih, Tainan (TW)**

* cited by examiner

(73) **Assignee:** **TYC Brother Industrial Co., Ltd.,
Tainan (TW)**

Primary Examiner—Marcus A. Jackson

(**) **Term:** **14 Years**

(74) *Attorney, Agent, or Firm*—Fitzpatrick, Cella, Harper & Scinto

(21) **Appl. No.:** **29/178,420**

(57) **CLAIM**

(22) **Filed:** **Mar. 27, 2003**

The ornamental design for automobile light, as shown and described.

(51) **LOC (7) Cl.** **26-06**

(52) **U.S. Cl.** **D26/28**

(58) **Field of Search** D26/28-36; 362/61,
362/80, 81, 82, 83, 83.3, 267, 269, 330-340

DESCRIPTION

(56) **References Cited**

U.S. PATENT DOCUMENTS

D465,040 S * 10/2002 Lin D26/28

D466,635 S * 12/2002 Lin D26/28

FIG. 1 is a perspective view of automobile light showing the new design;

FIG. 2 is a front elevational view thereof;

FIG. 3 is a rear elevational view thereof;

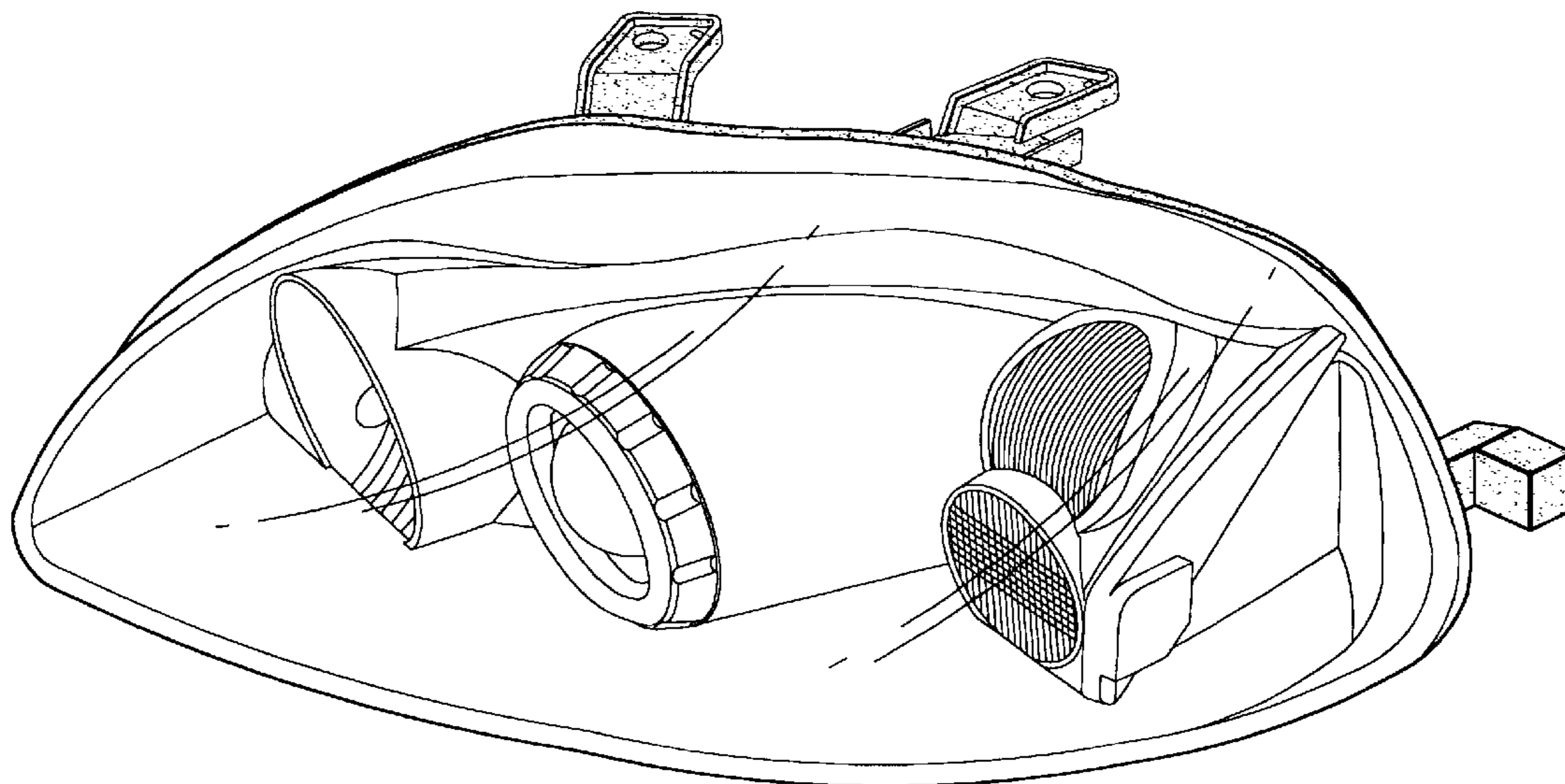
FIG. 4 is a left side elevational view thereof;

FIG. 5 is a right side elevational view thereof;

FIG. 6 is a top plan view thereof; and,

FIG. 7 is a bottom plan view thereof.

1 Claim, 4 Drawing Sheets



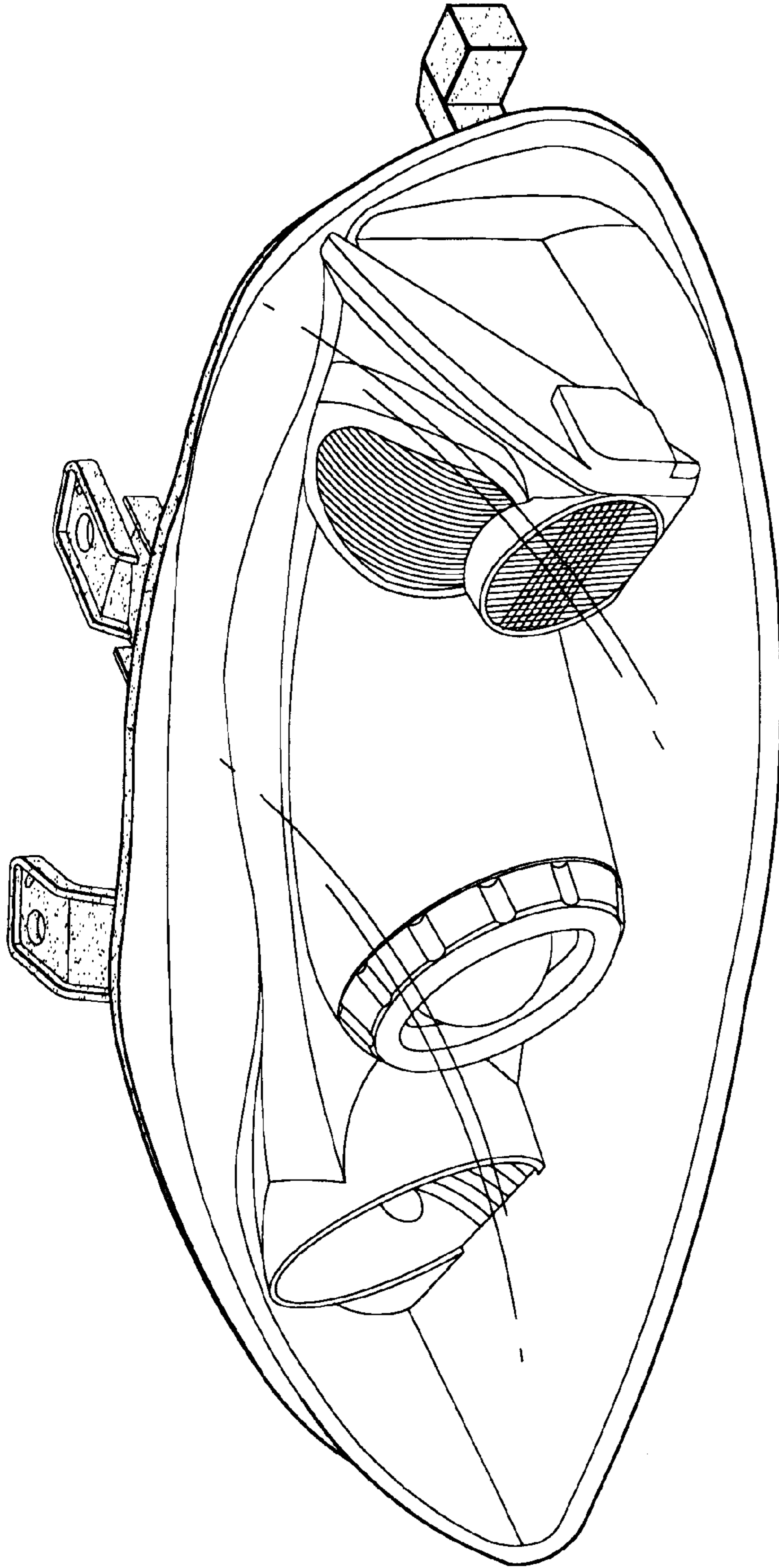


FIG. 1

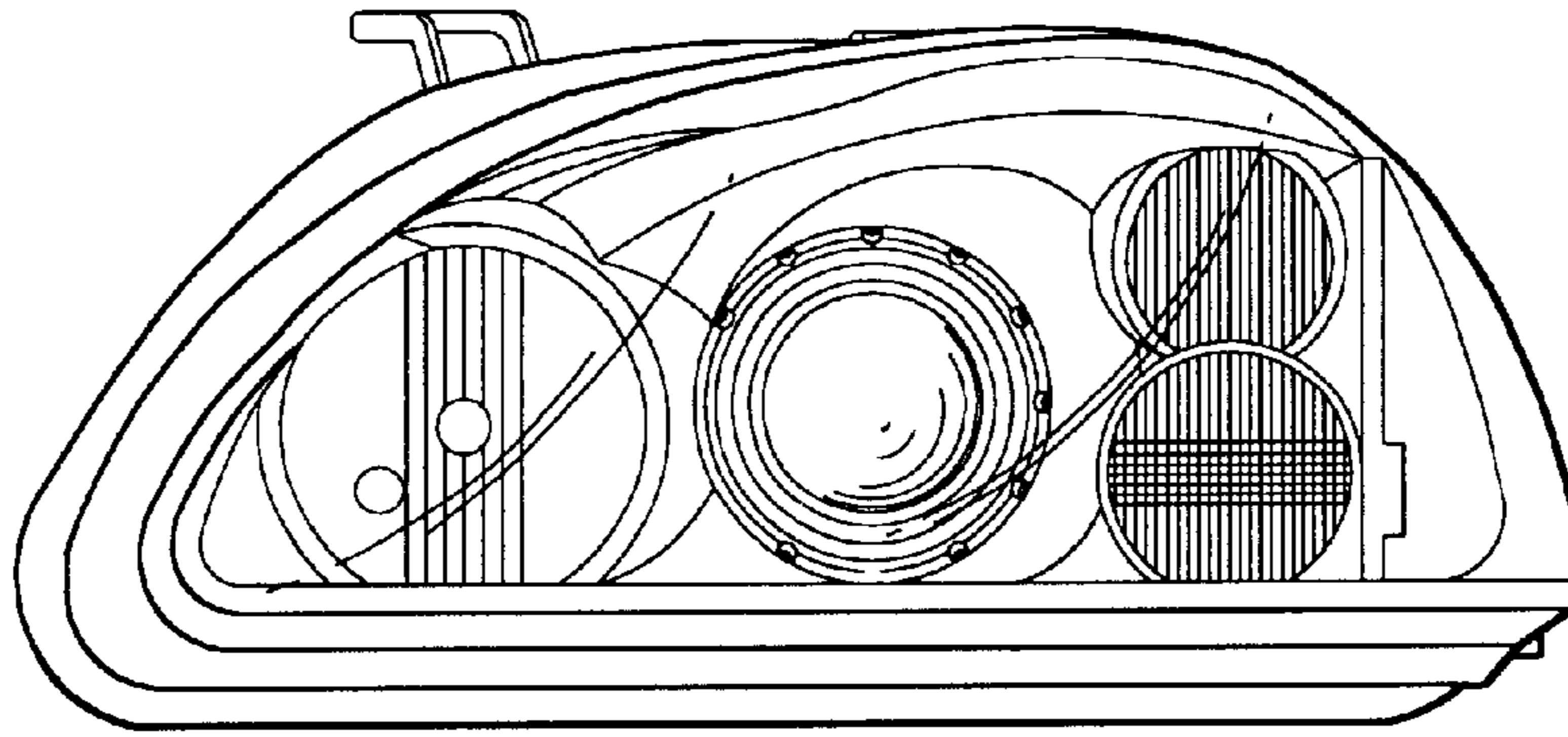


FIG. 2

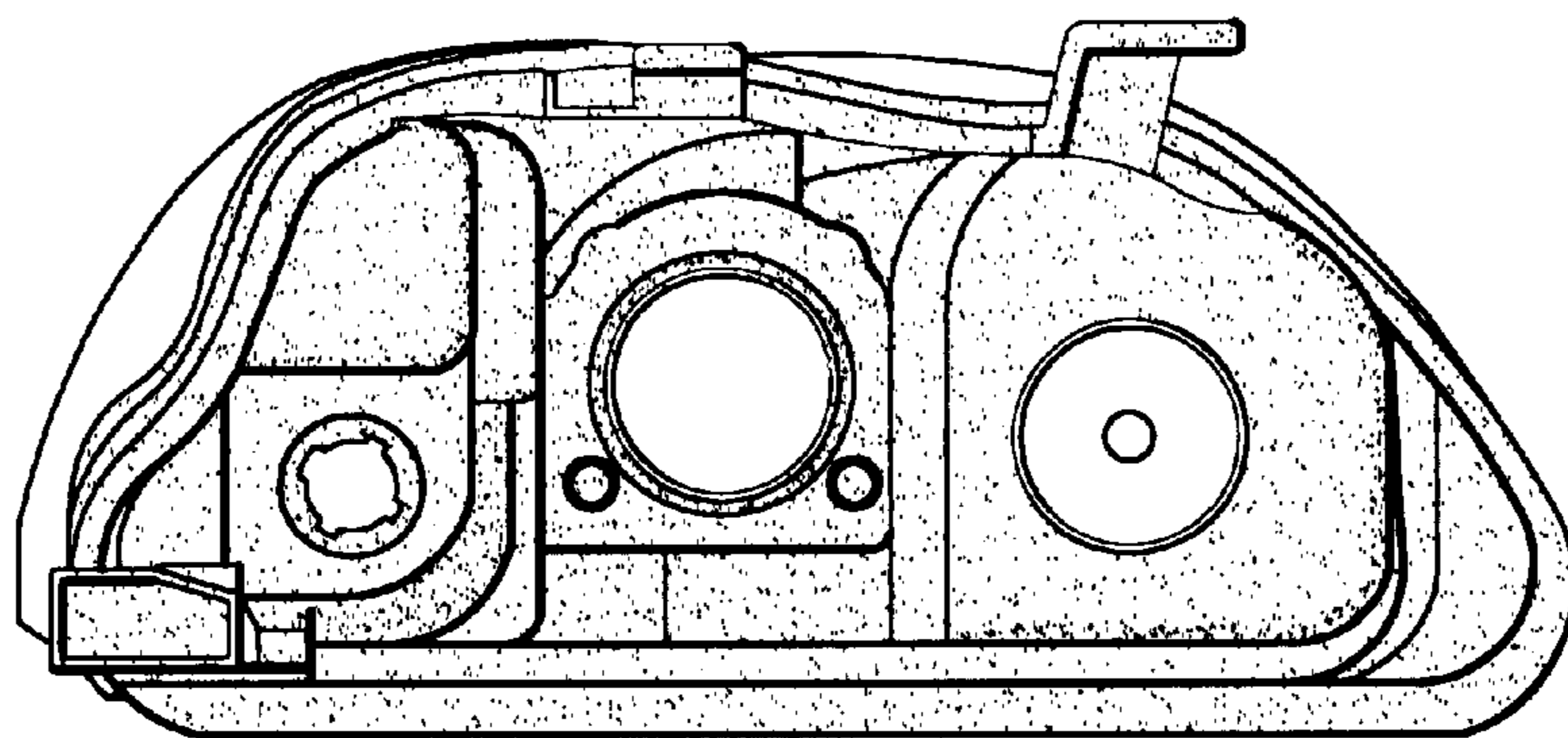


FIG. 3

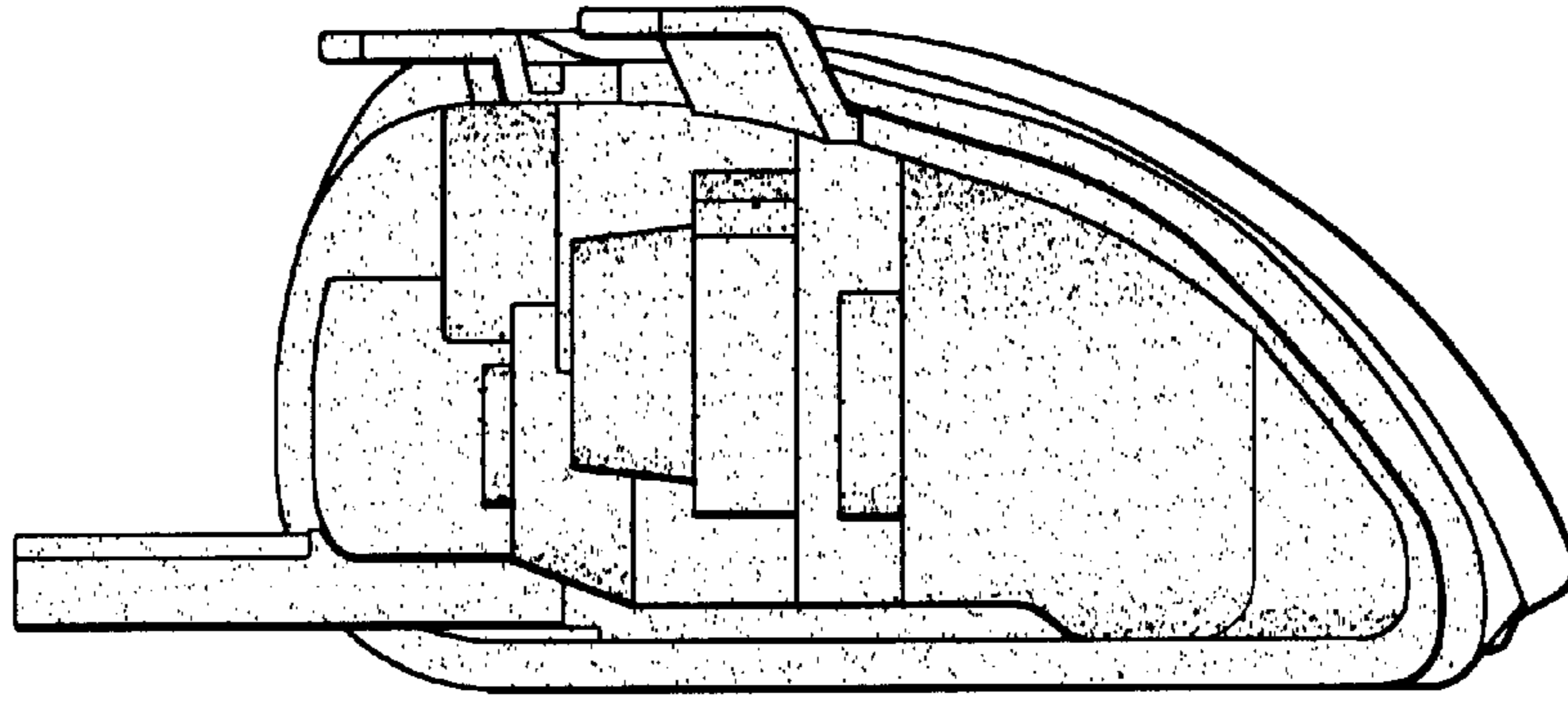


FIG. 4

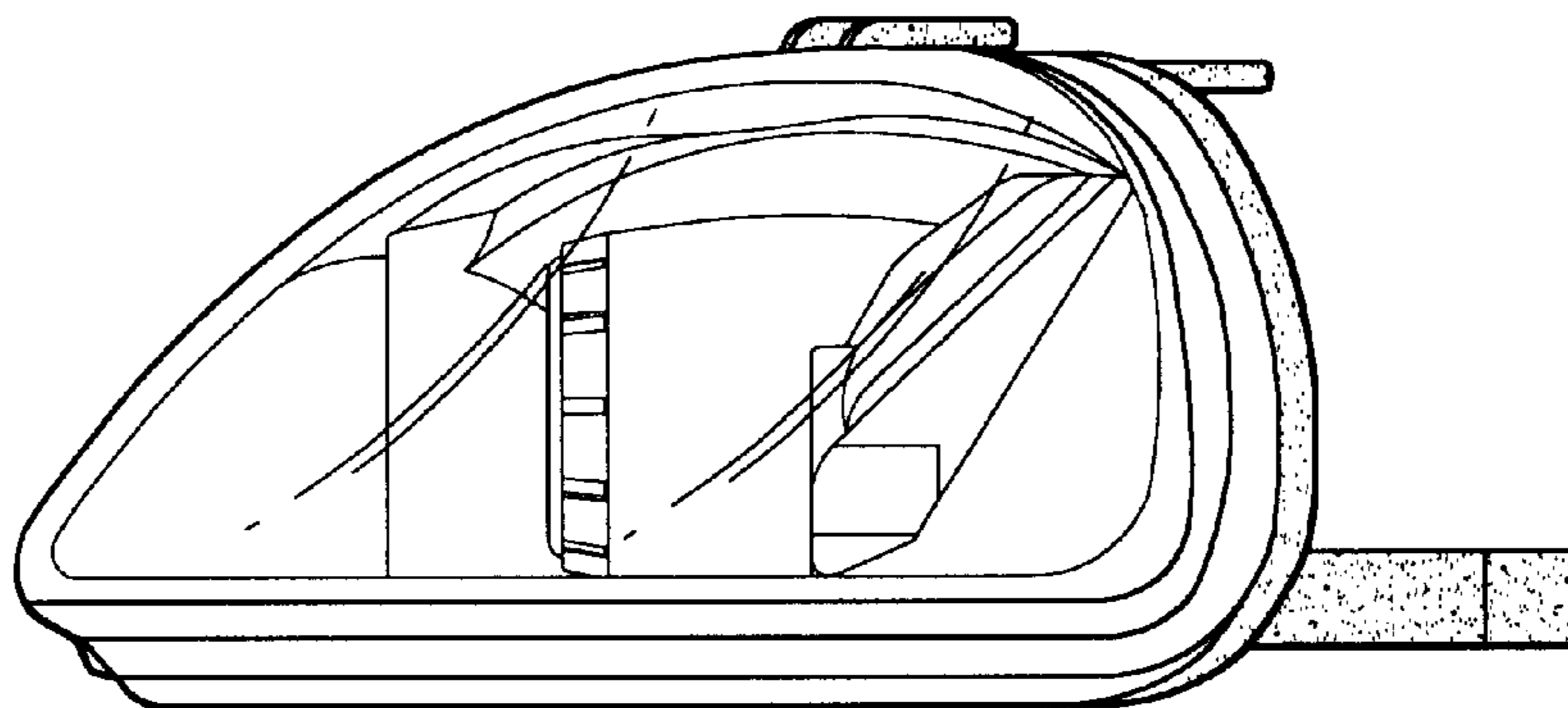


FIG. 5

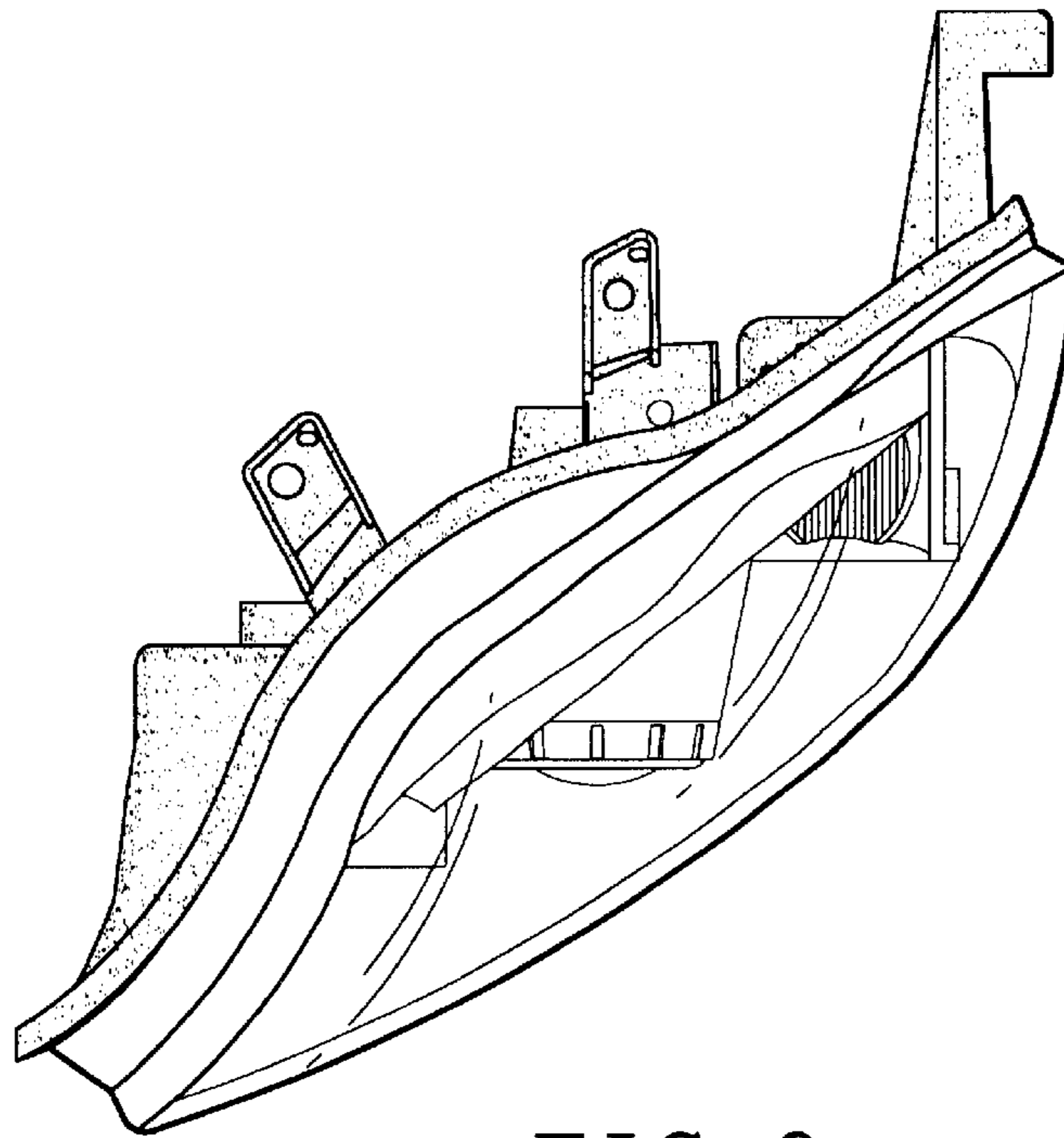


FIG. 6

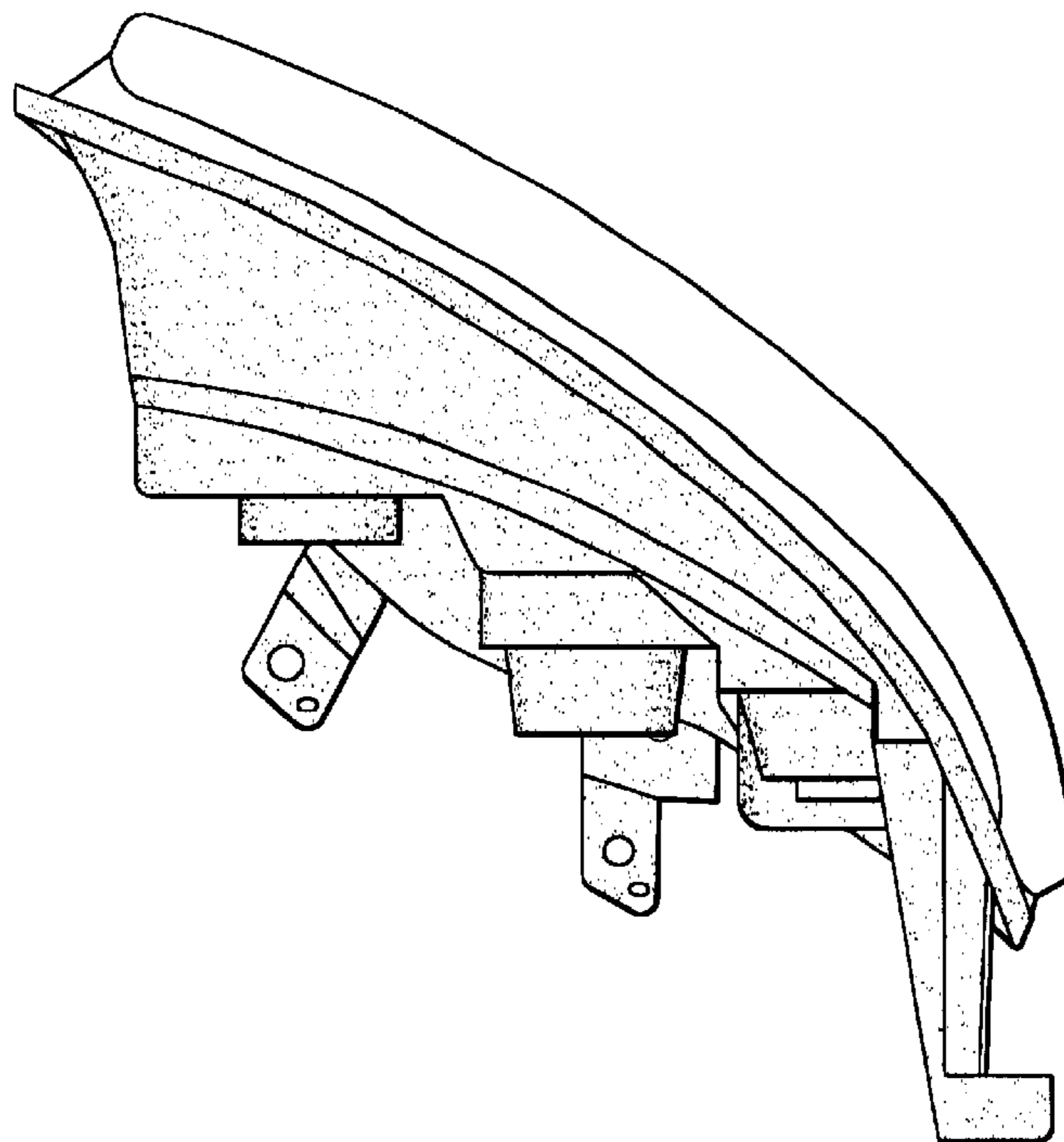


FIG. 7