



US00D483131S

(12) **United States Design Patent** (10) **Patent No.:** **US D483,131 S**
Tsai (45) **Date of Patent:** **** Dec. 2, 2003**

(54) **POLE-STAND FOR ELASTIC BANDS**

Primary Examiner—Doris Clark
(74) *Attorney, Agent, or Firm*—Bacon & Thomas, PLLC

(76) Inventor: **Hung-Wen Tsai**, No. 33, Chung-Ming
5th Street, Taichung City (TW)

(57) **CLAIM**

(**) Term: **14 Years**

The ornamental design for pole-stand for elastic bands, as shown and described.

(21) Appl. No.: **29/176,140**

(22) Filed: **Feb. 20, 2003**

DESCRIPTION

(51) **LOC (7) Cl.** **25-01**

FIG. 1 is a perspective view of a pole-stand for elastic bands showing my new design thereof;

(52) **U.S. Cl.** **D25/131**

FIG. 2 is a front elevational view thereof;

(58) **Field of Search** D25/50, 51, 47,
D25/131; 49/49, 34; 256/1

FIG. 3 is a rear elevational view thereof;

FIG. 4 is a left elevational view thereof,

FIG. 5 is a right elevational view thereof,

FIG. 6 is a top plan view thereof; and,

FIG. 7 is a bottom plan view thereof.

(56) **References Cited**

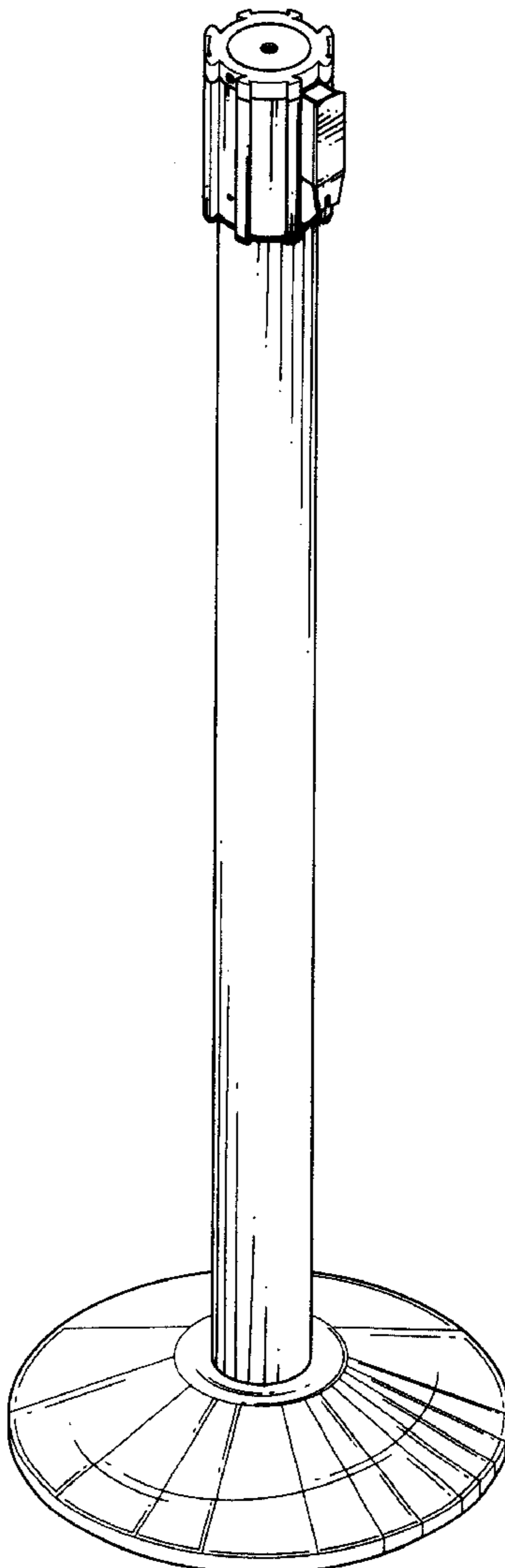
U.S. PATENT DOCUMENTS

5,050,846 A * 9/1991 Goodman et al. 49/34

D447,251 S * 8/2001 Tsai D25/131

* cited by examiner

1 Claim, 6 Drawing Sheets



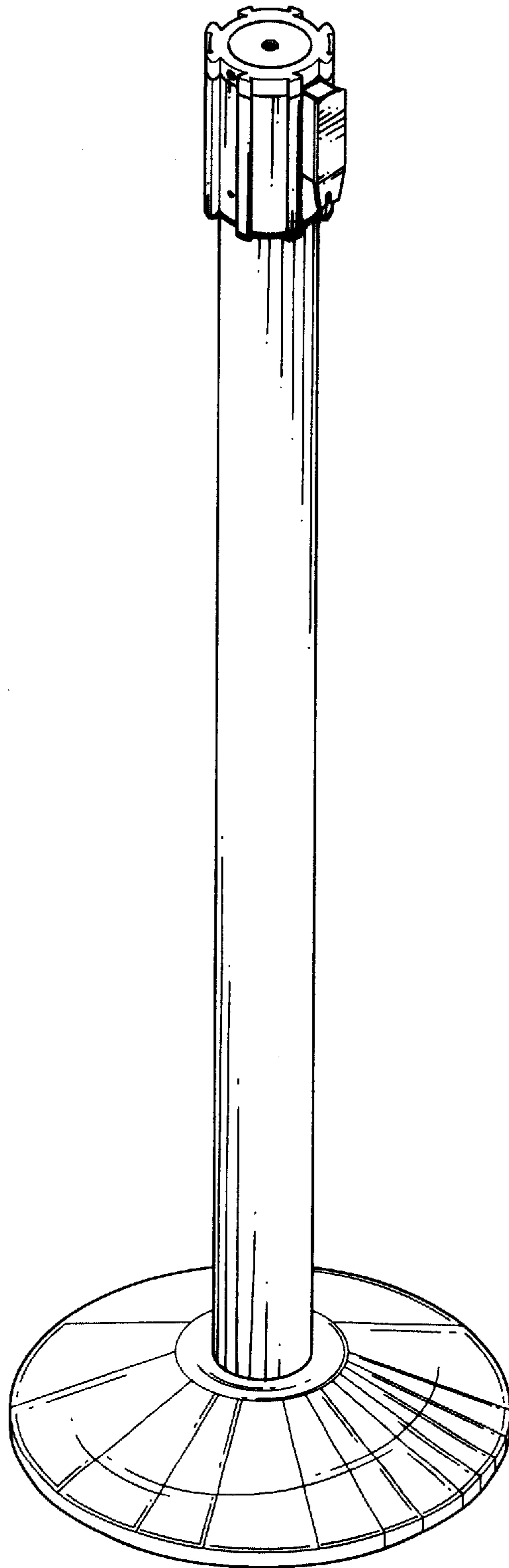


FIG. 1

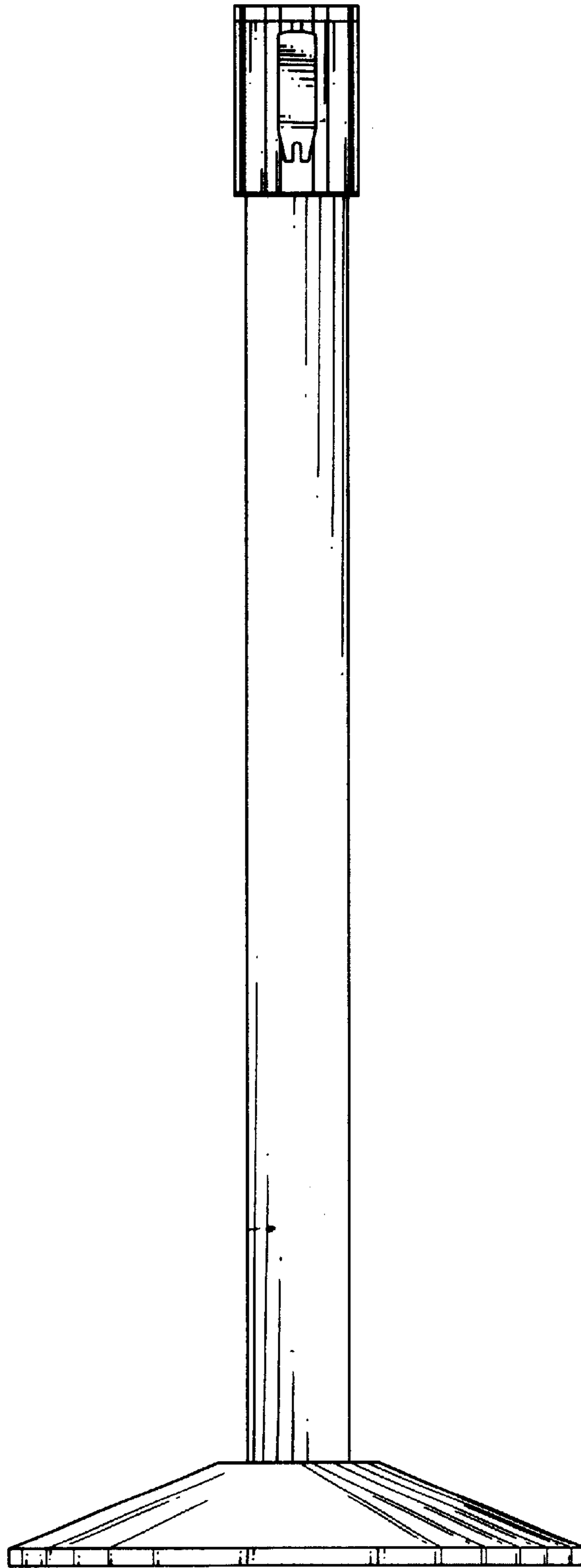


FIG. 2

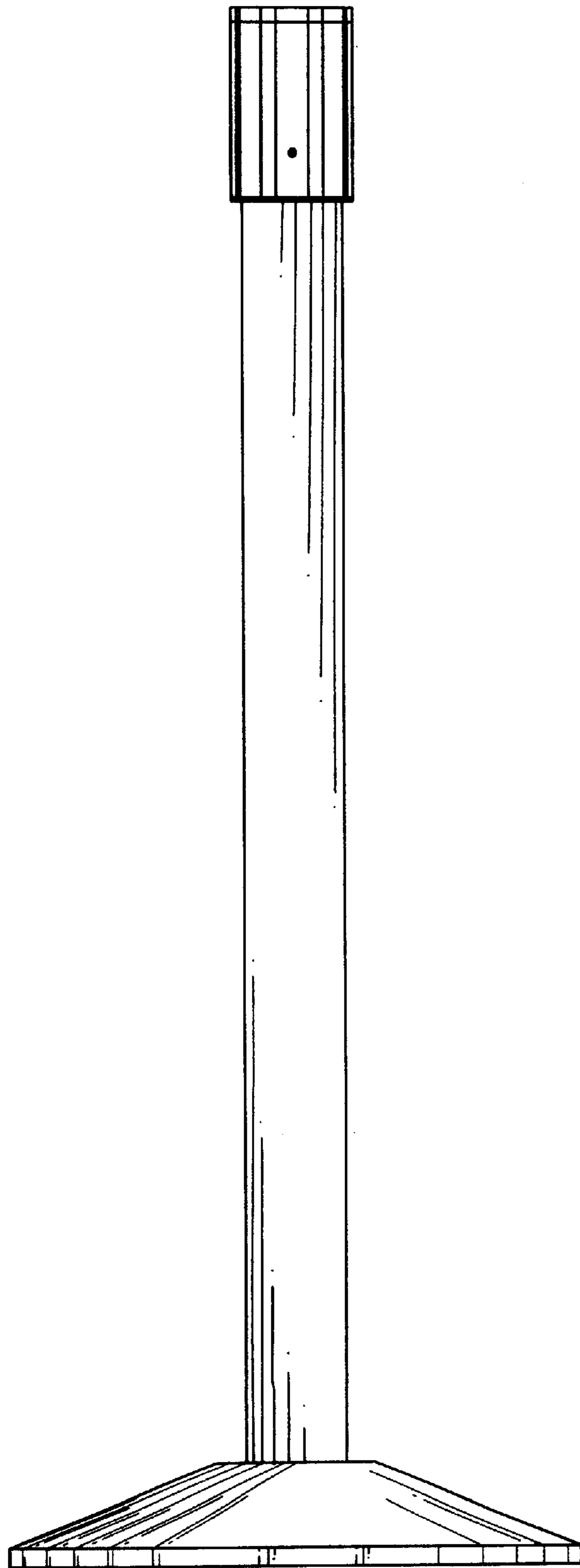


FIG. 3

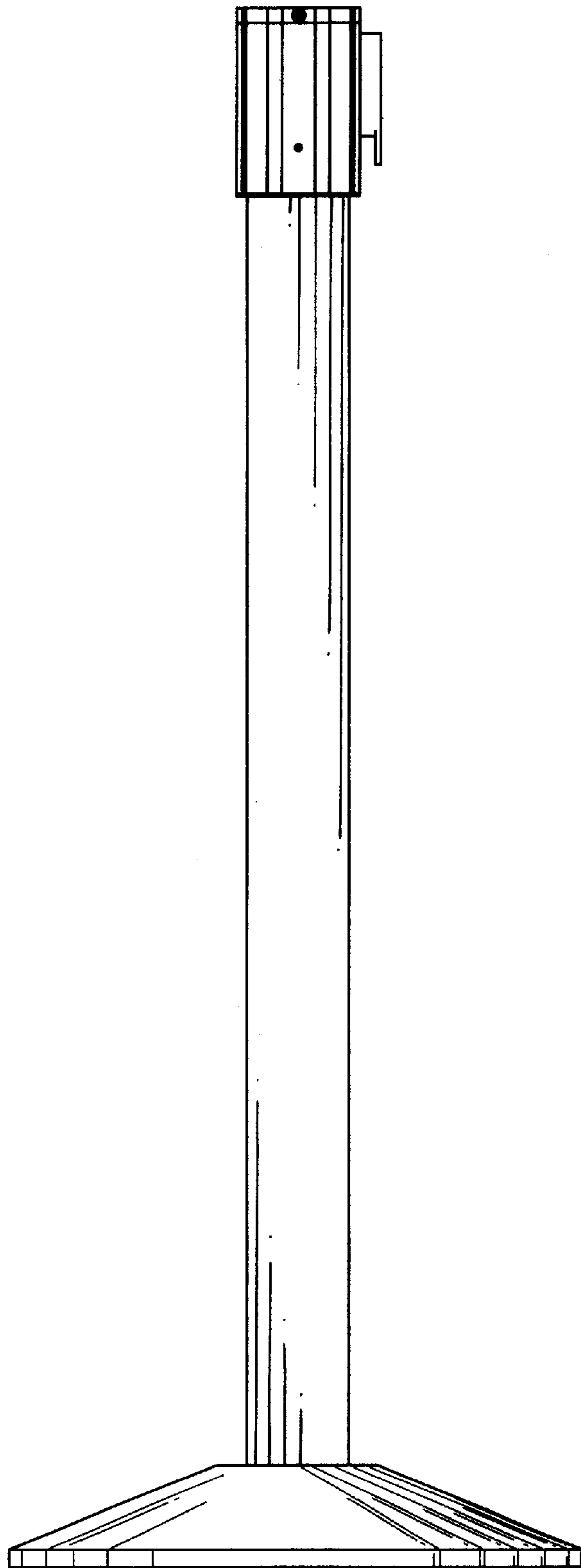


FIG. 4

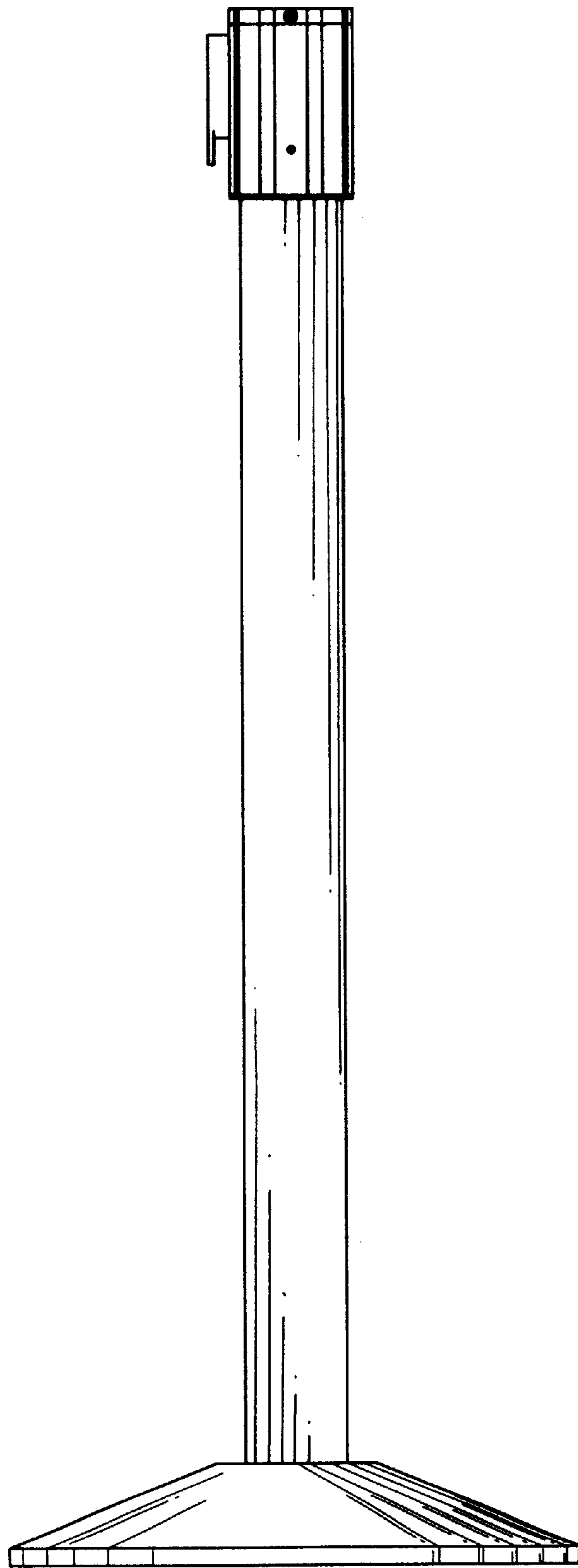


FIG. 5

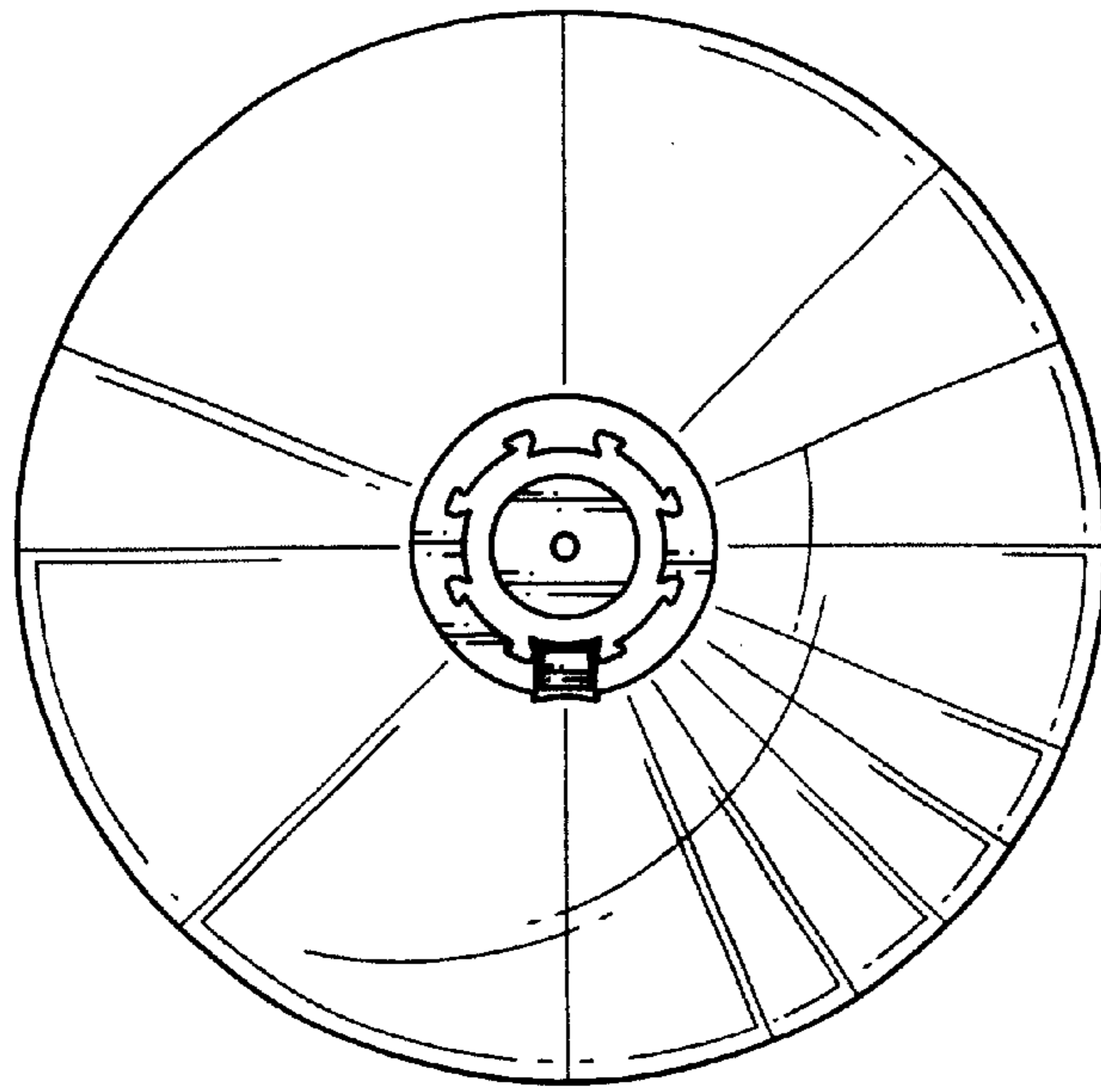


FIG. 6

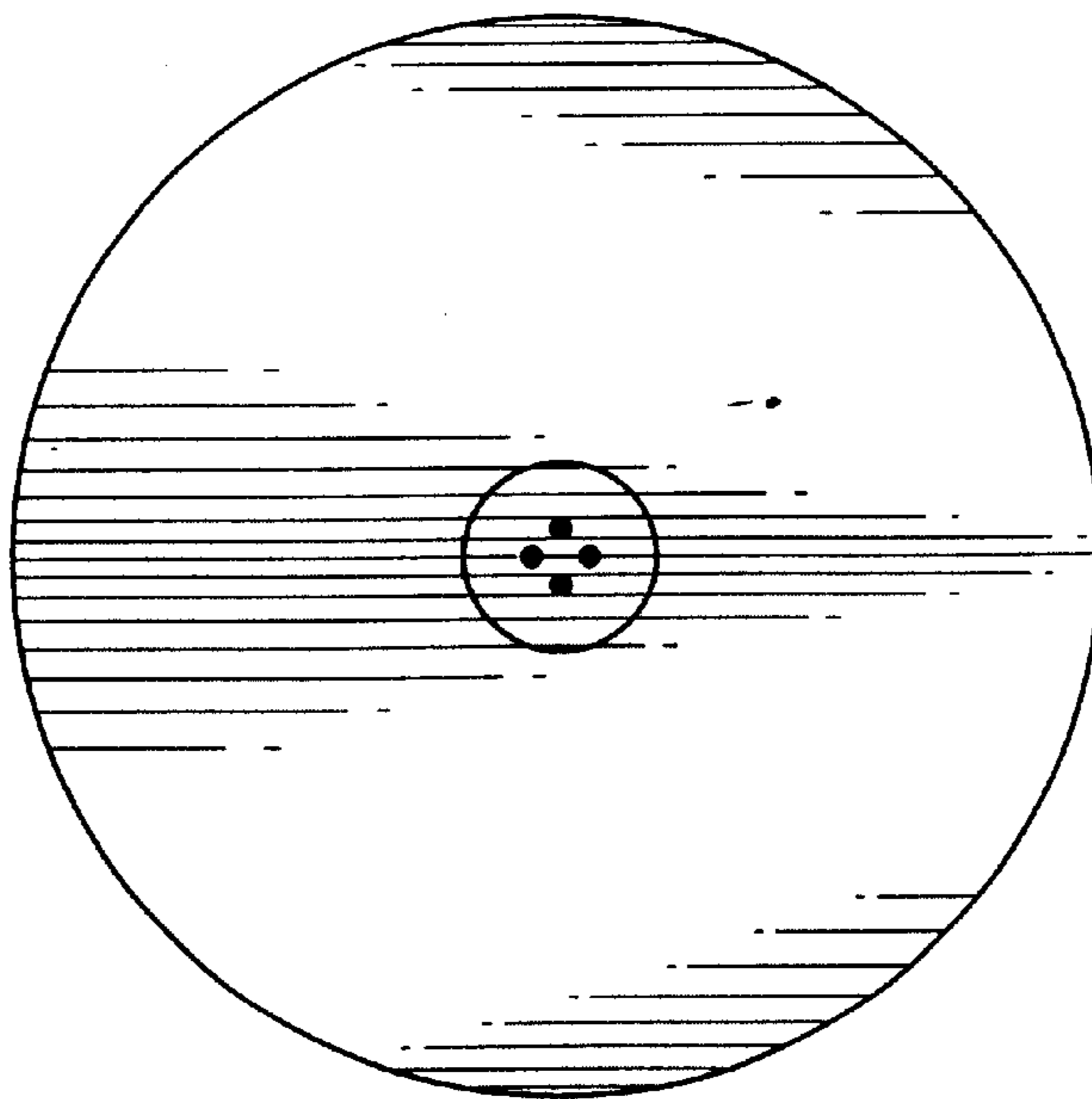


FIG. 7