



US00D483129S

(12) **United States Design Patent**
Chustak

(10) **Patent No.:** **US D483,129 S**

(45) **Date of Patent:** **** Dec. 2, 2003**

(54) **TRACK**

(76) **Inventor:** **Daniel A. Chustak**, 602 E. Eckman St.,
South Bend, IN (US) 46614

(**) **Term:** **14 Years**

(21) **Appl. No.:** **29/168,308**

(22) **Filed:** **Sep. 30, 2002**

(51) **LOC (7) Cl.** **25-04**

(52) **U.S. Cl.** **D25/68**

(58) **Field of Search** 182/36, 85, 103;
D25/68, 69

(56) **References Cited**

U.S. PATENT DOCUMENTS

4,846,303 A * 7/1989 Cooper et al. 182/36

D371,853 S * 7/1996 Grampo D25/68

* cited by examiner

Primary Examiner—Doris Clark

(74) *Attorney, Agent, or Firm*—Leo H McCormick, Jr.

(57) **CLAIM**

The ornamental design for a track, as shown and described.

DESCRIPTION

FIG. 1 is a perspective view of a track showing my new design;

FIG. 2 is a top view of thereof;

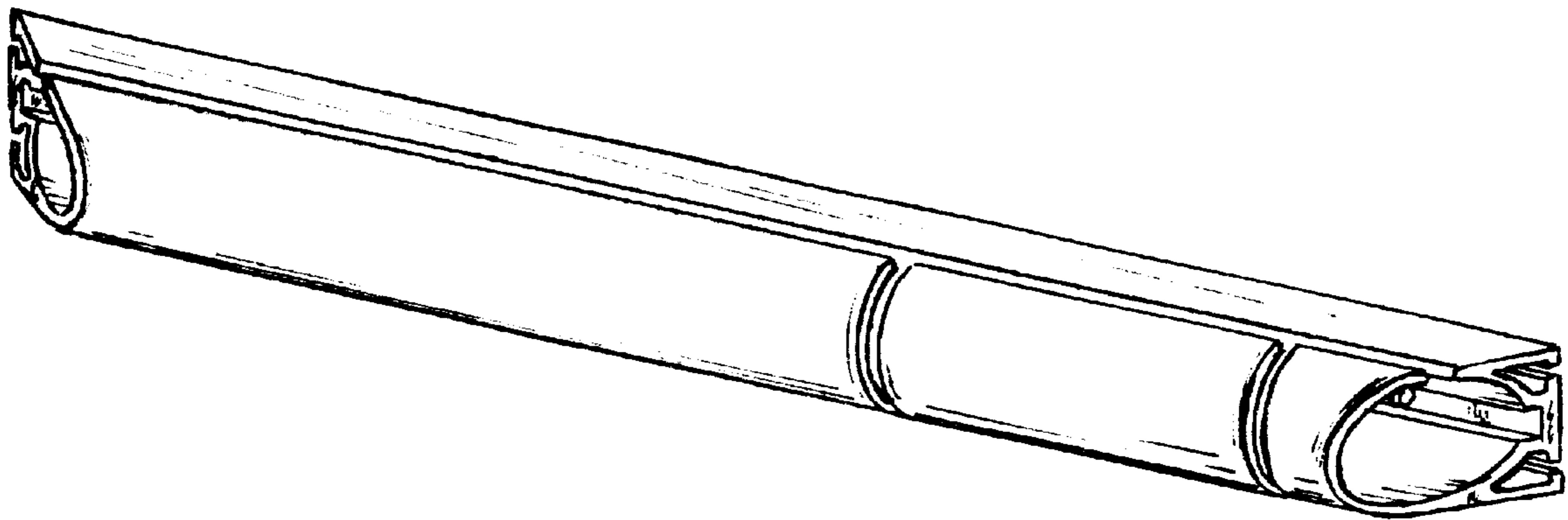
FIG. 3 is a front elevational view thereof;

FIG. 4 is a bottom view thereof;

FIG. 5 is a rear elevational view thereof; and,

FIG. 6 is a side view thereof.

1 Claim, 1 Drawing Sheet



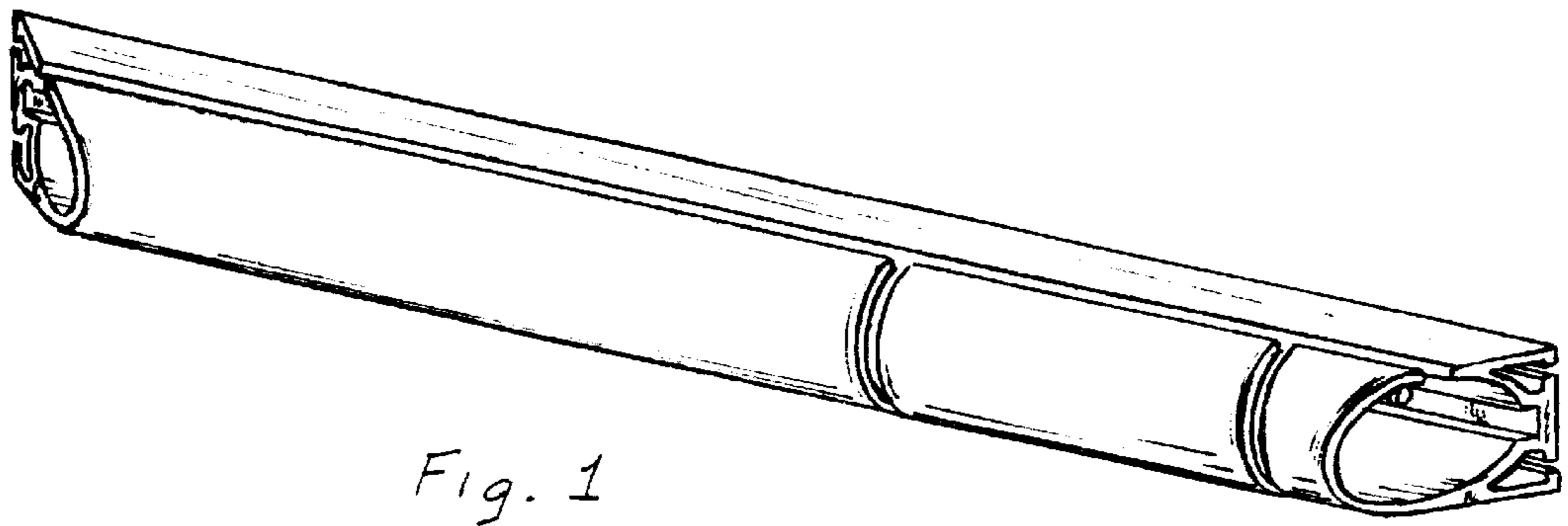


Fig. 1

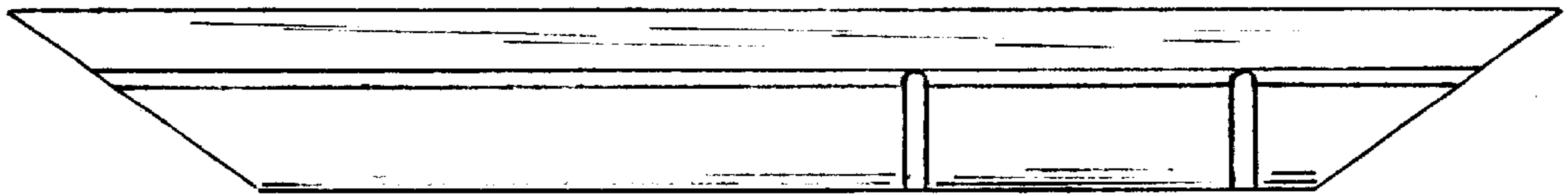


Fig. 2



Fig. 3

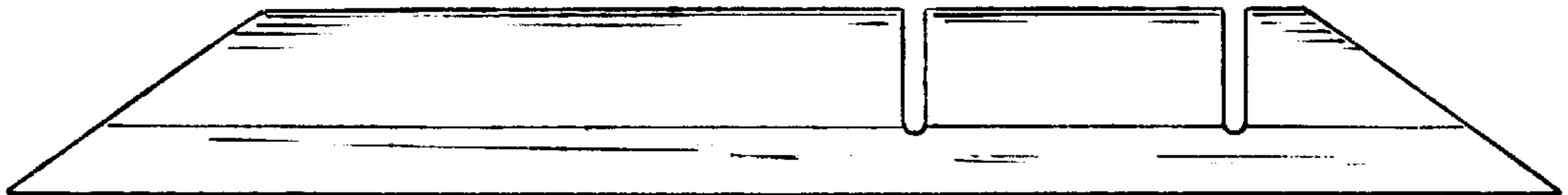


Fig. 4

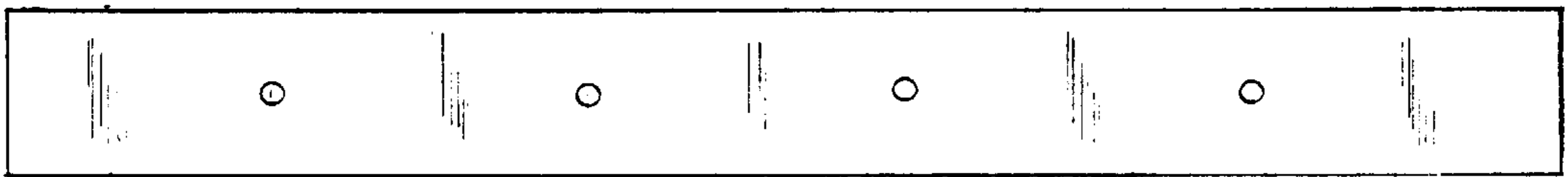


Fig. 5

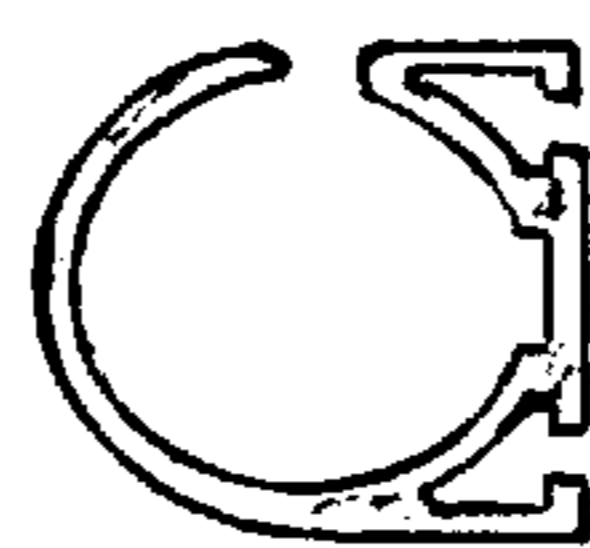


Fig. 6