



US00D483128S

(12) **United States Design Patent**  
**Wang**

(10) **Patent No.:** **US D483,128 S**

(45) **Date of Patent:** **\*\* Dec. 2, 2003**

(54) **TWO TIER GAZEBO**

D458,689 S 6/2002 Wang

(75) Inventor: **Jean Sun Wang**, Arcadia, CA (US)

\* cited by examiner

(73) Assignee: **Dragon Claw (U.S.A.) Incorporated**,  
Irwindale, CA (US)

*Primary Examiner*—Doris Clark

(74) *Attorney, Agent, or Firm*—Thomas I. Rozsa; Tony D. Chen

(\*\*) Term: **14 Years**

(57) **CLAIM**

(21) Appl. No.: **29/164,096**

The ornamental design for a two tier gazebo, as shown and described.

(22) Filed: **Jul. 16, 2002**

**DESCRIPTION**

(51) **LOC (7) Cl.** ..... **25-02**

(52) **U.S. Cl.** ..... **D25/56**

(58) **Field of Search** ..... D25/1, 56, 61;  
52/82; 135/87, 90, 908, 907

FIG. 1 is a perspective view of a two tier gazebo, showing my new design;

FIG. 2 is a front elevational view thereof, the rear elevational view being identical;

FIG. 3 is a side elevational view thereof, the other side being identical;

FIG. 4 is a top plan view thereof; and,

FIG. 5 is a bottom plan view thereof.

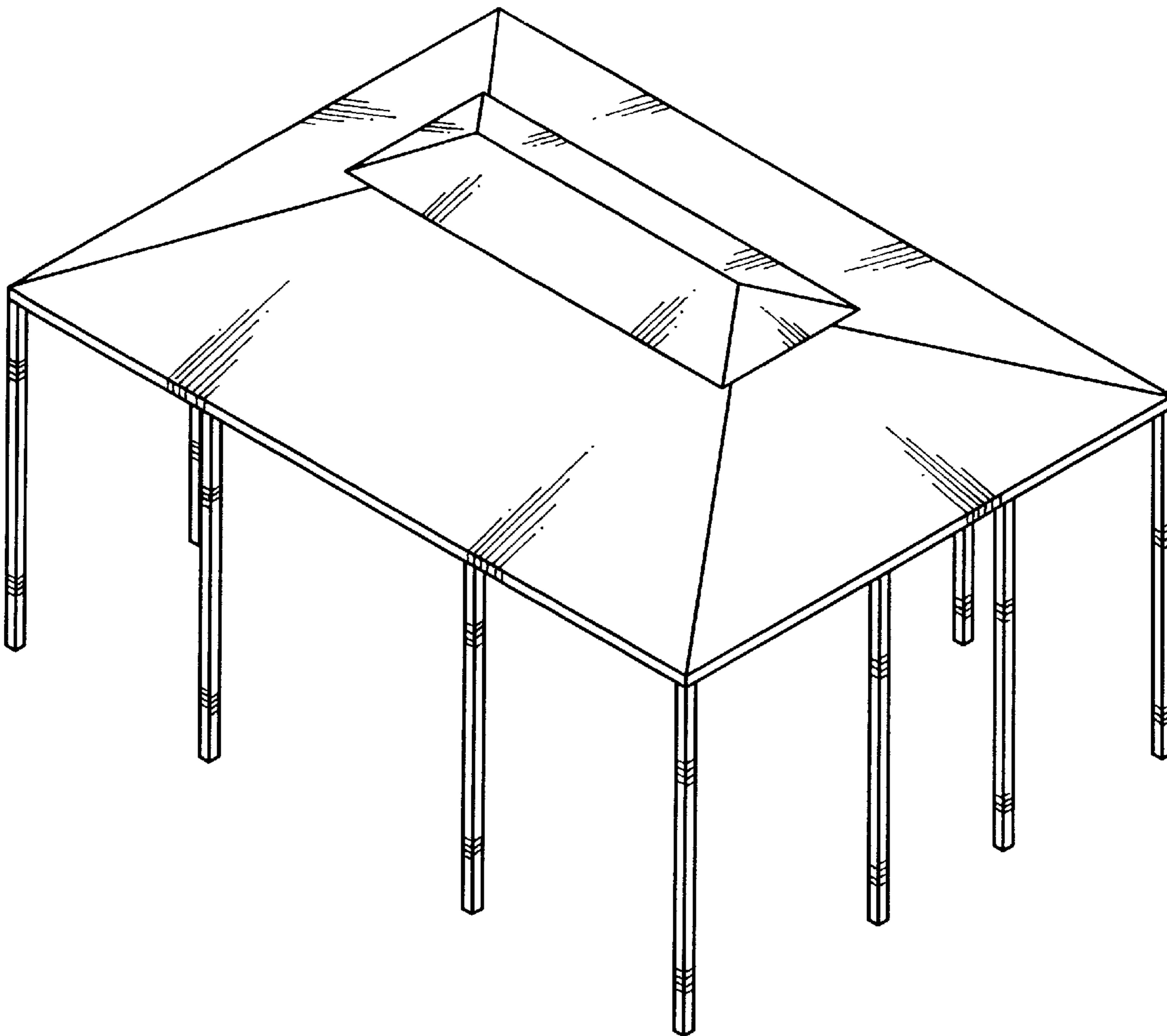
(56) **References Cited**

**U.S. PATENT DOCUMENTS**

D385,969 S \* 11/1997 Kievit ..... D25/56

D420,751 S \* 2/2000 Powell et al. .... D25/56

**1 Claim, 3 Drawing Sheets**



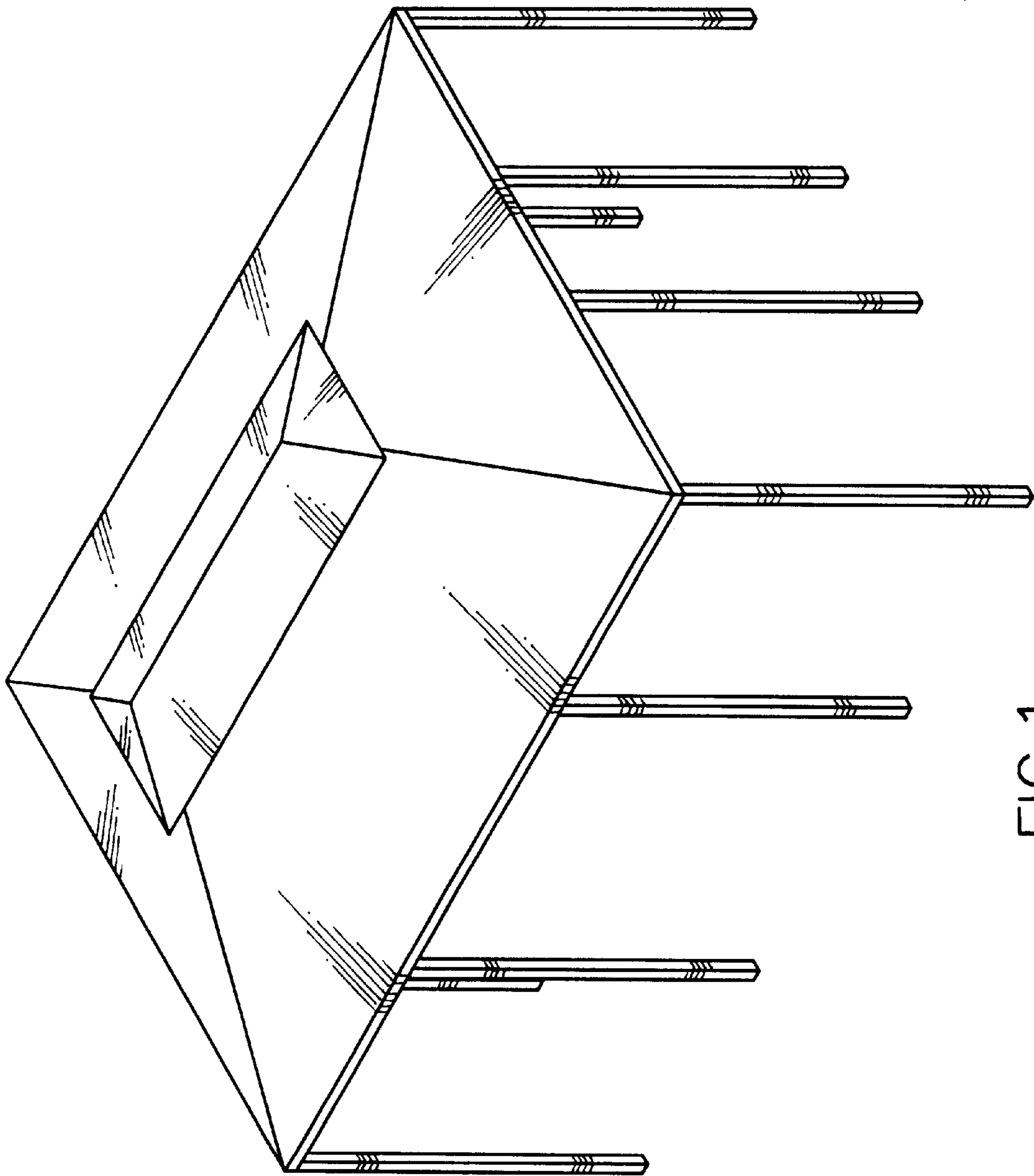


FIG. 1

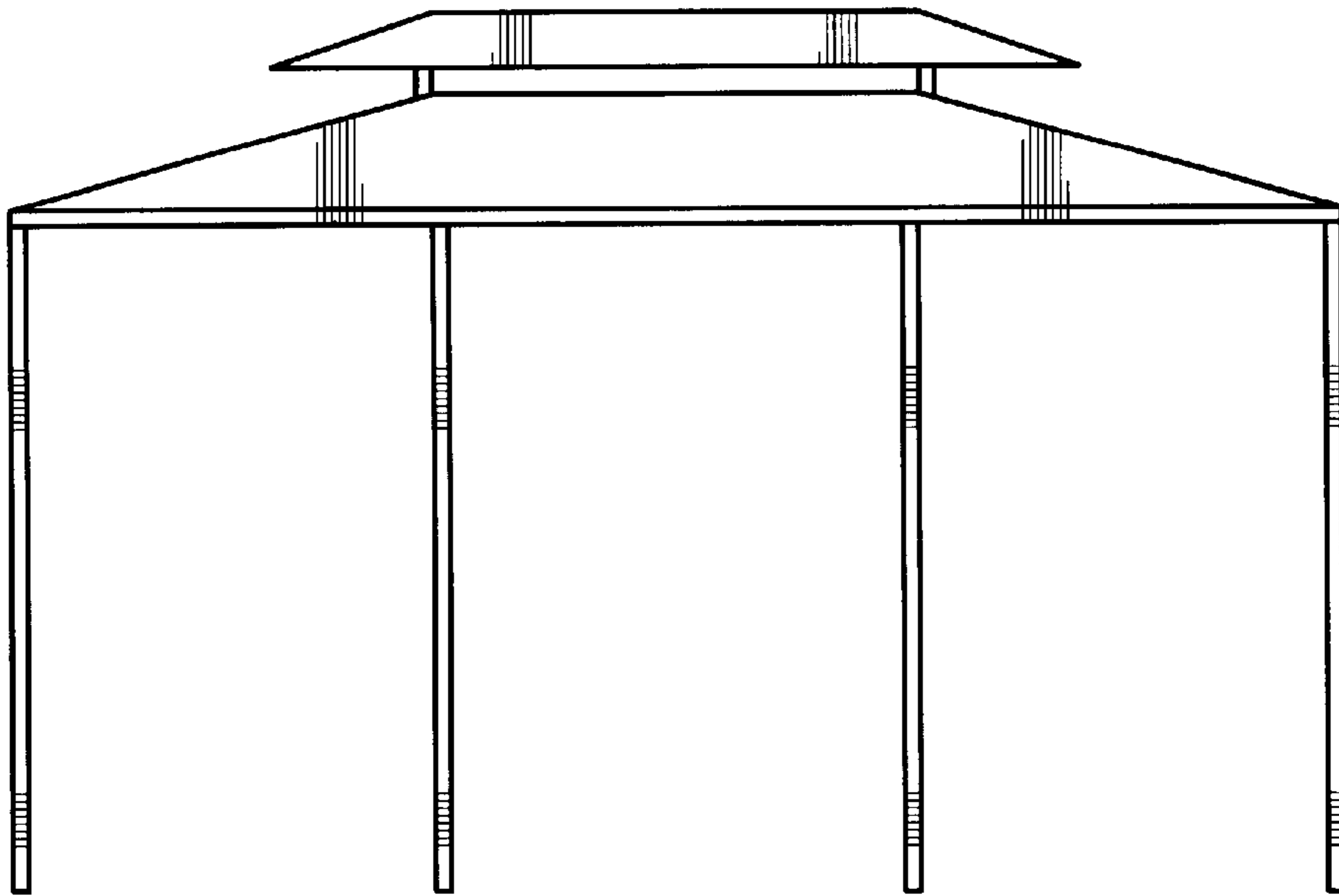


FIG. 2

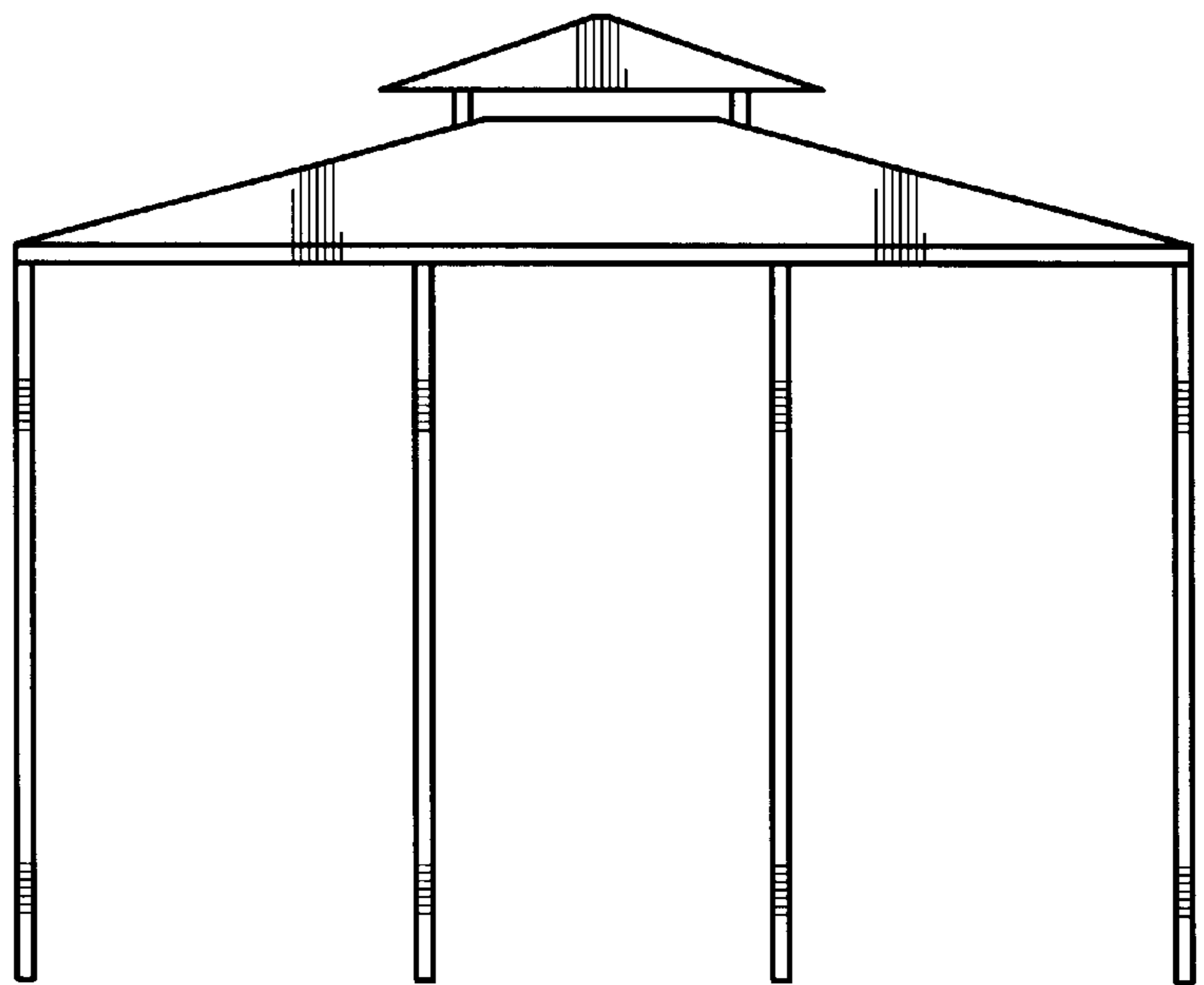


FIG. 3

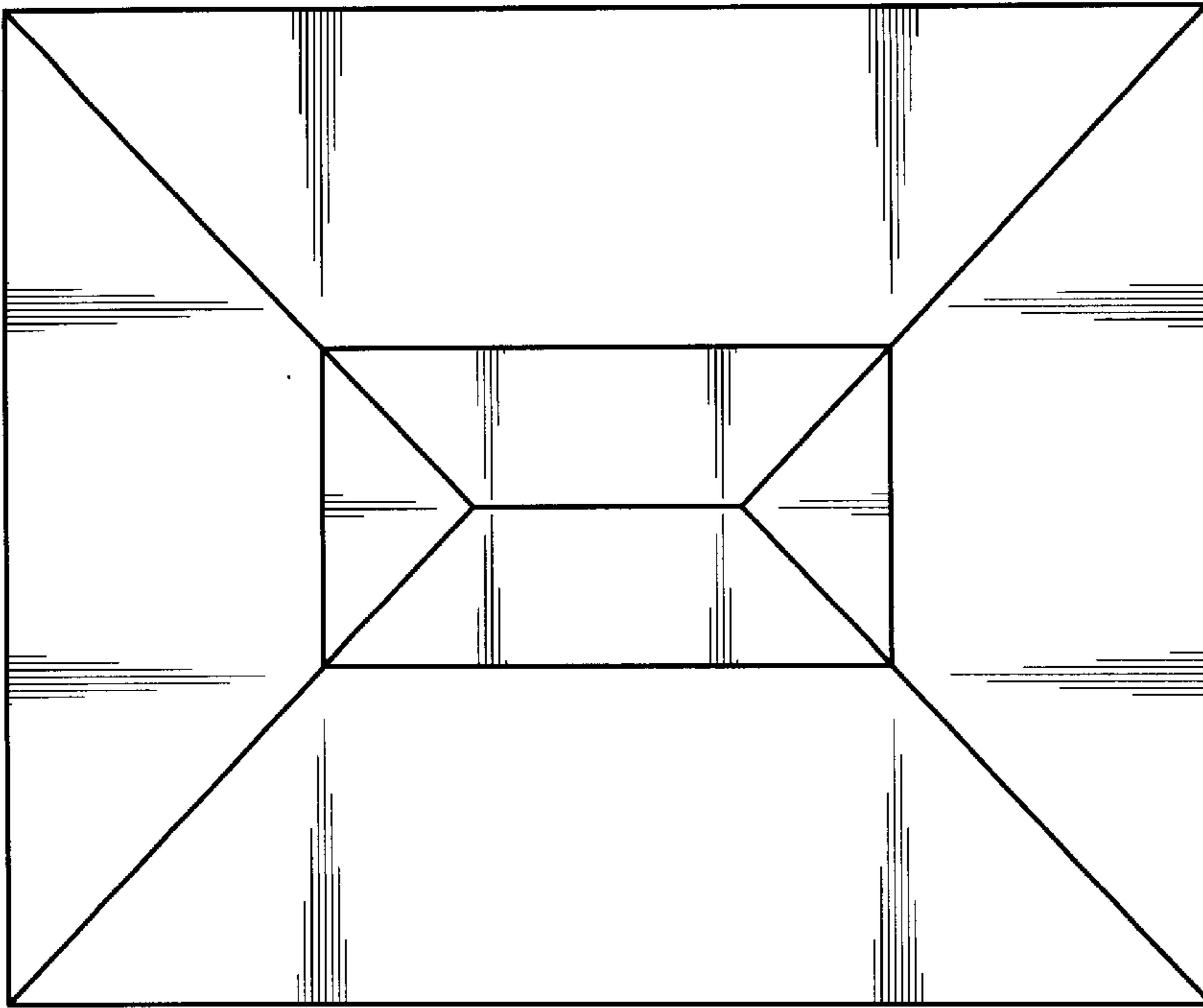


FIG. 4

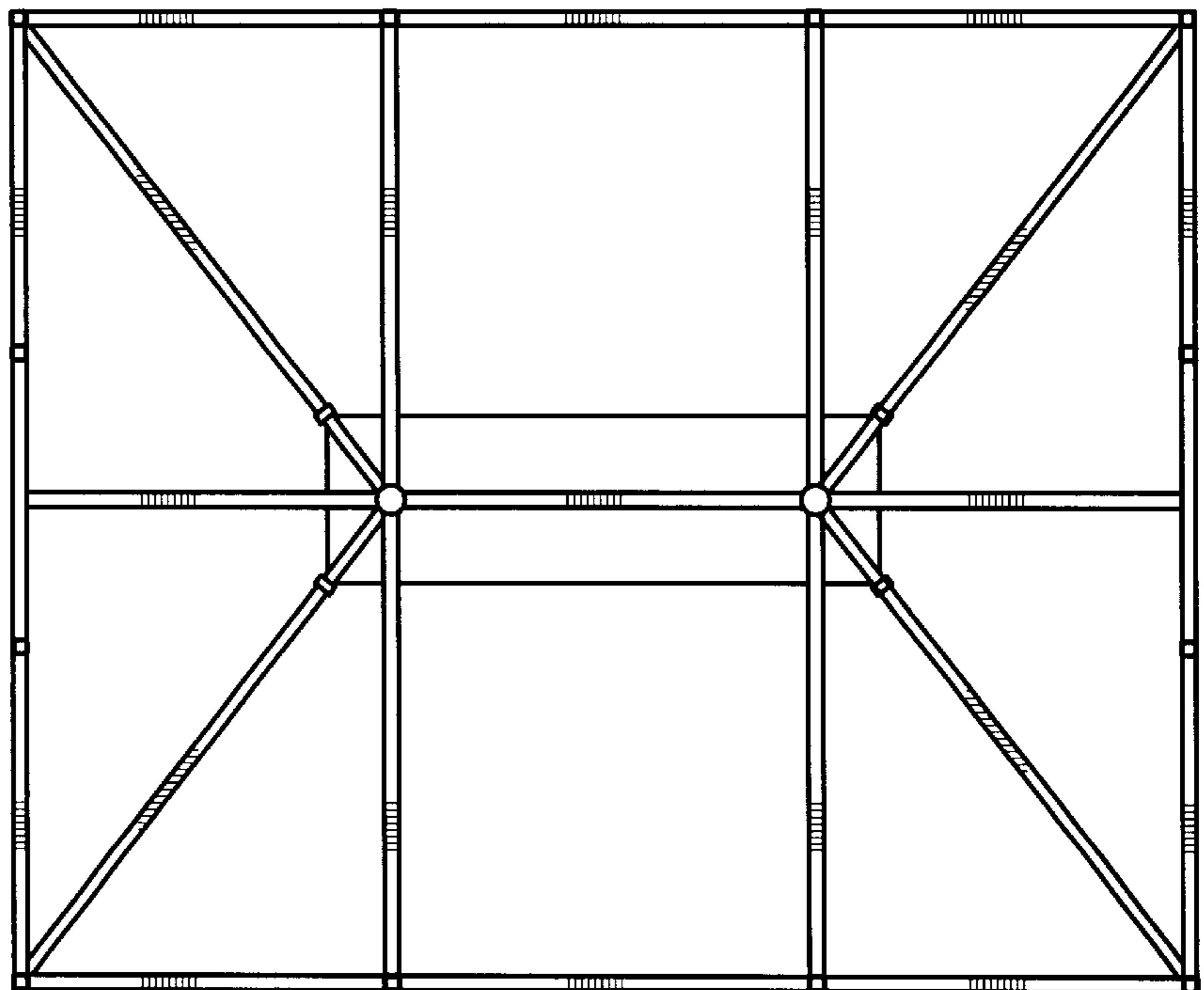


FIG. 5