



US00D483126S

(12) **United States Design Patent**
Marsh

(10) **Patent No.:** **US D483,126 S**

(45) **Date of Patent:** **** Dec. 2, 2003**

(54) **MESSAGE DEVICE**

(75) **Inventor:** **Derek L. Marsh**, Hertfordshire (GB)

(73) **Assignee:** **Tecpro Limited**, Hadley Wood
Hertfordshire (GB)

(**) **Term:** **14 Years**

(21) **Appl. No.:** **29/171,035**

(22) **Filed:** **Nov. 15, 2002**

(51) **LOC (7) Cl.** **28-03**

(52) **U.S. Cl.** **D24/211**

(58) **Field of Search** D24/211, 212,
D24/200; 601/118, 128, 131, 134, 136

(56) **References Cited**

U.S. PATENT DOCUMENTS

- 3,685,511 A * 8/1972 Alvarez 601/115
- 4,679,549 A * 7/1987 Quam et al. 601/128
- 5,165,390 A * 11/1992 Fleetwood 601/99

- D340,528 S * 10/1993 Broney D24/215
- D374,082 S * 9/1996 Vitko D24/211
- D396,295 S * 7/1998 Summers D24/211
- 6,146,343 A * 11/2000 Stewart 601/118

* cited by examiner

Primary Examiner—Stella Reid

(74) *Attorney, Agent, or Firm*—Dorsey & Whitney LLP

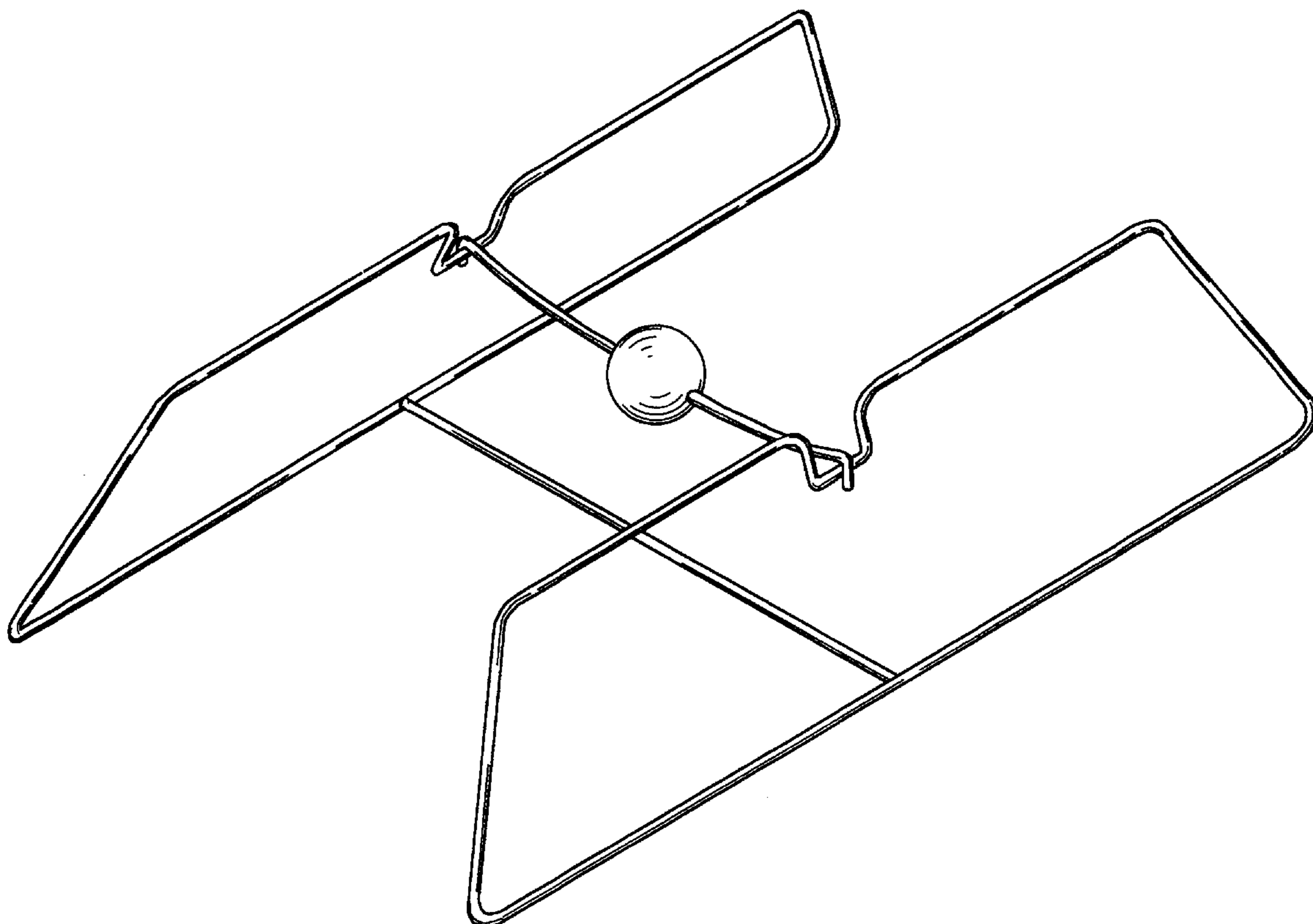
(57) **CLAIM**

I claim the ornamental design for a message device, as shown.

DESCRIPTION

FIG. 1 is an isometric view of a message device, showing my new design;
 FIG. 2 is a front view thereof;
 FIG. 3 is a top view thereof;
 FIG. 4 is a side view thereof; and,
 FIG. 5 is a bottom view thereof.

1 Claim, 2 Drawing Sheets



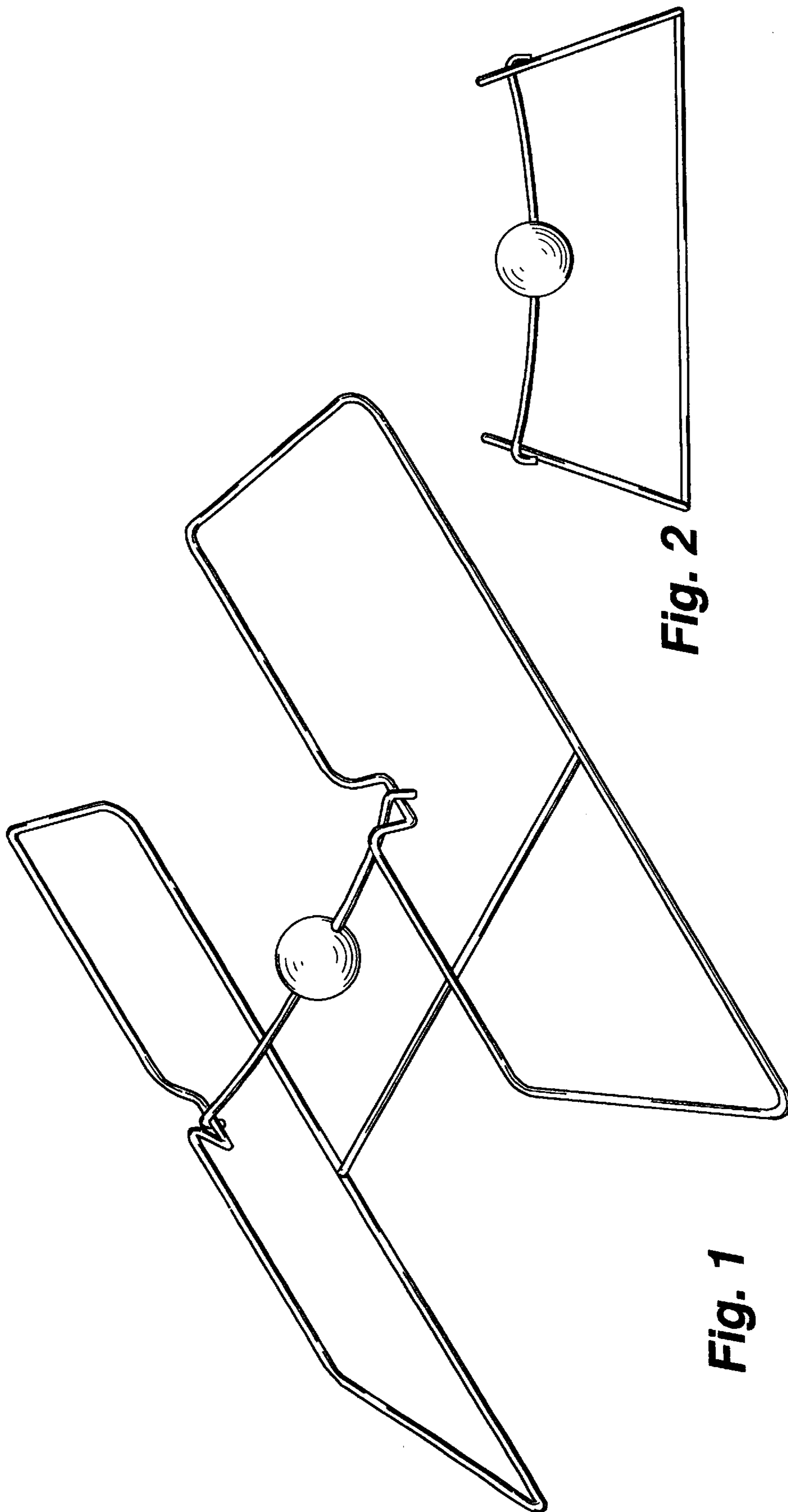


Fig. 2

Fig. 1

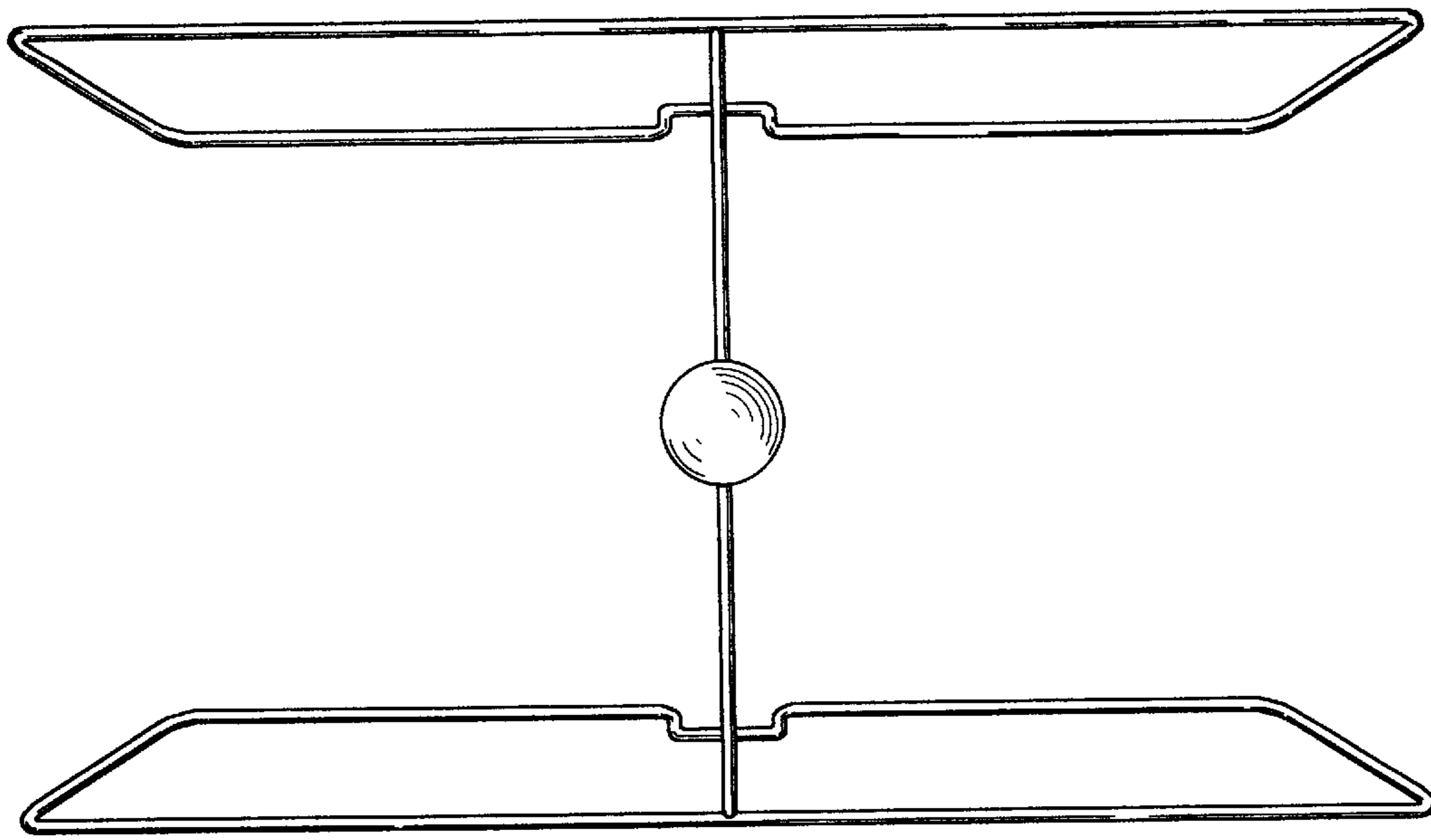


Fig. 5

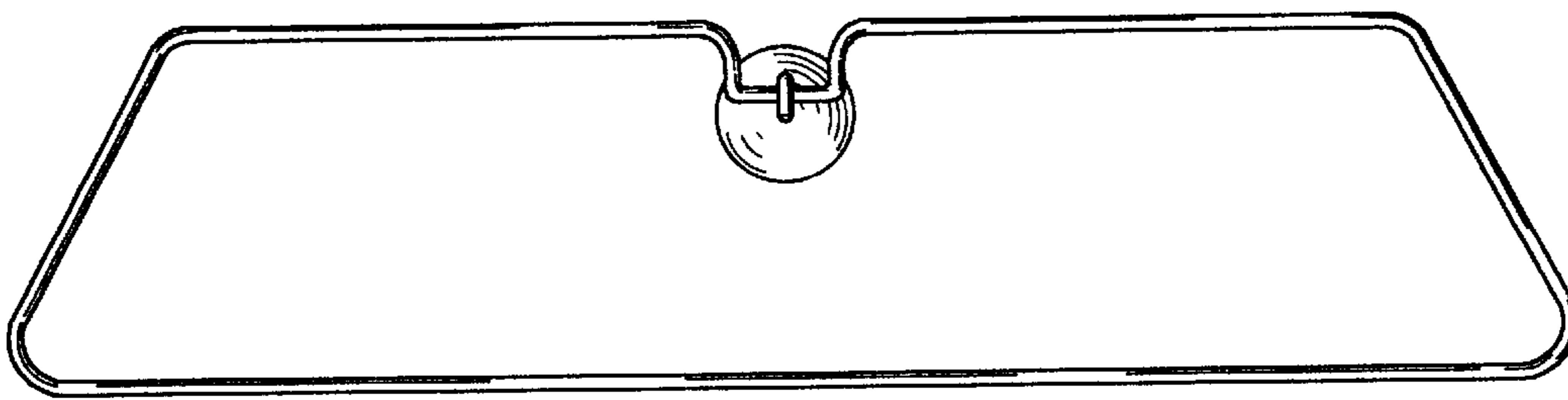


Fig. 4

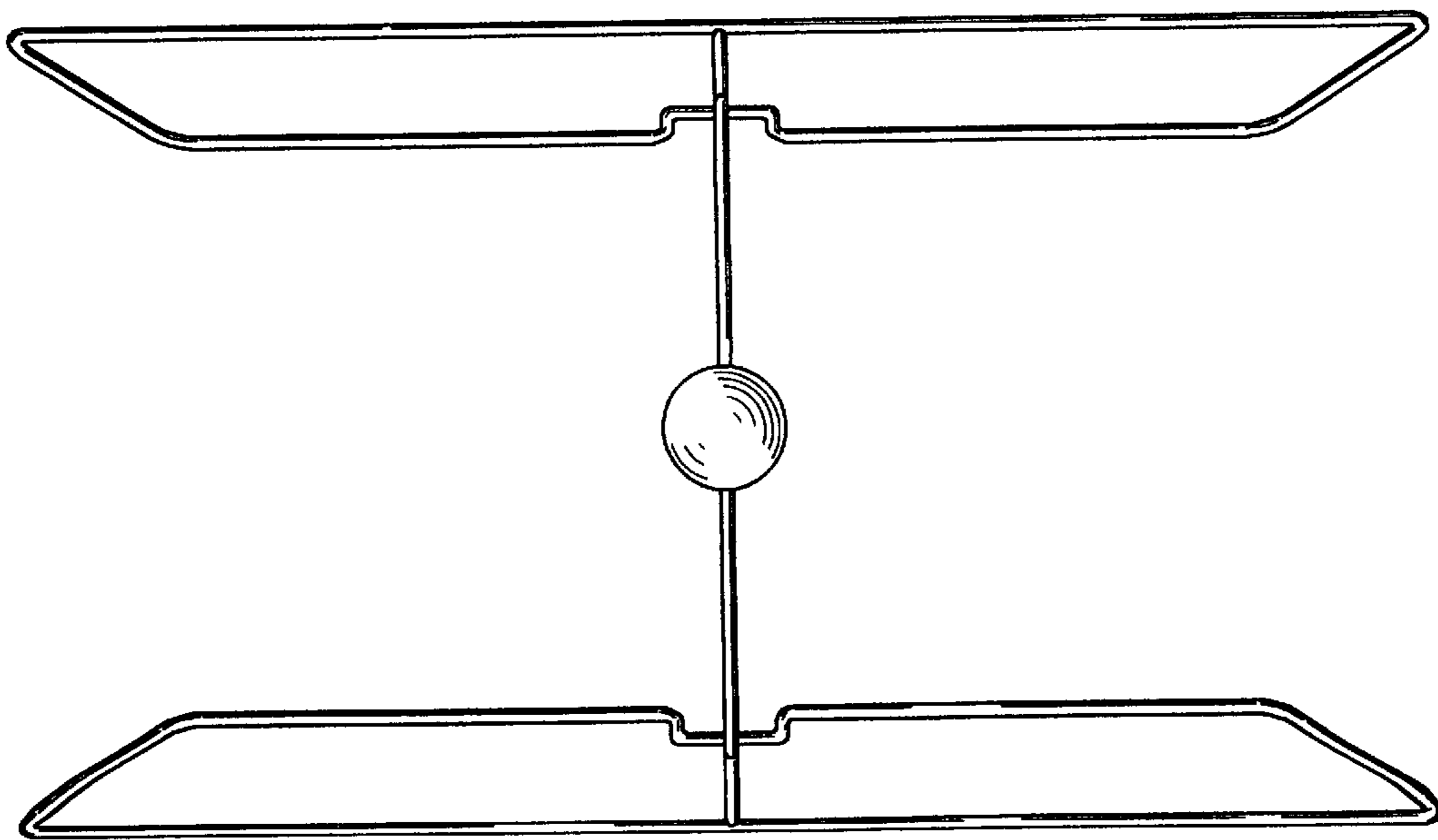


Fig. 3