



US00D483121S

(12) **United States Design Patent**
Drewes, Jr. et al.

(10) **Patent No.:** **US D483,121 S**

(45) **Date of Patent:** **** Dec. 2, 2003**

(54) **NEEDLE HUB**

(75) Inventors: **David A. Drewes, Jr.**, Bloomington, IN (US); **Gregory A. Frankland**, Unionville, IN (US); **Eric D. Densford**, Indianapolis, IN (US)

(73) Assignees: **Cook Urological Incorporated**, Spencer, IN (US); **Sabin Corporation**, Bloomington, IN (US)

(**) Term: **14 Years**

(21) Appl. No.: **29/166,566**

(22) Filed: **Aug. 30, 2002**

(51) **LOC (7) Cl.** **24-02**

(52) **U.S. Cl.** **D24/130; D24/129**

(58) **Field of Search** D24/130, 112, D24/129; 604/533, 164.11, 174, 905, 177, 164.03, 165.03, 164.04, 164.07; 128/912

(56) **References Cited**

U.S. PATENT DOCUMENTS

- D345,419 S * 3/1994 Horrigan et al. D24/130
- 5,382,239 A * 1/1995 Orr et al. 604/177
- 5,385,561 A 1/1995 Cerny
- D363,542 S 10/1995 Parris et al.
- D372,093 S 7/1996 Sampson et al.
- D375,160 S 10/1996 Sampson et al.
- D378,130 S 2/1997 Schmidt

- D410,284 S 5/1999 Piontek et al.
- D416,623 S 11/1999 Molina
- D454,637 S * 3/2002 Nestenborg D24/130
- 6,506,182 B2 * 1/2003 Estabrook et al. 604/905
- 6,544,247 B1 * 4/2003 Gardeski et al. 604/510

* cited by examiner

Primary Examiner—Ian Simmons

(74) *Attorney, Agent, or Firm*—Brinks Hofer Gilson & Lione

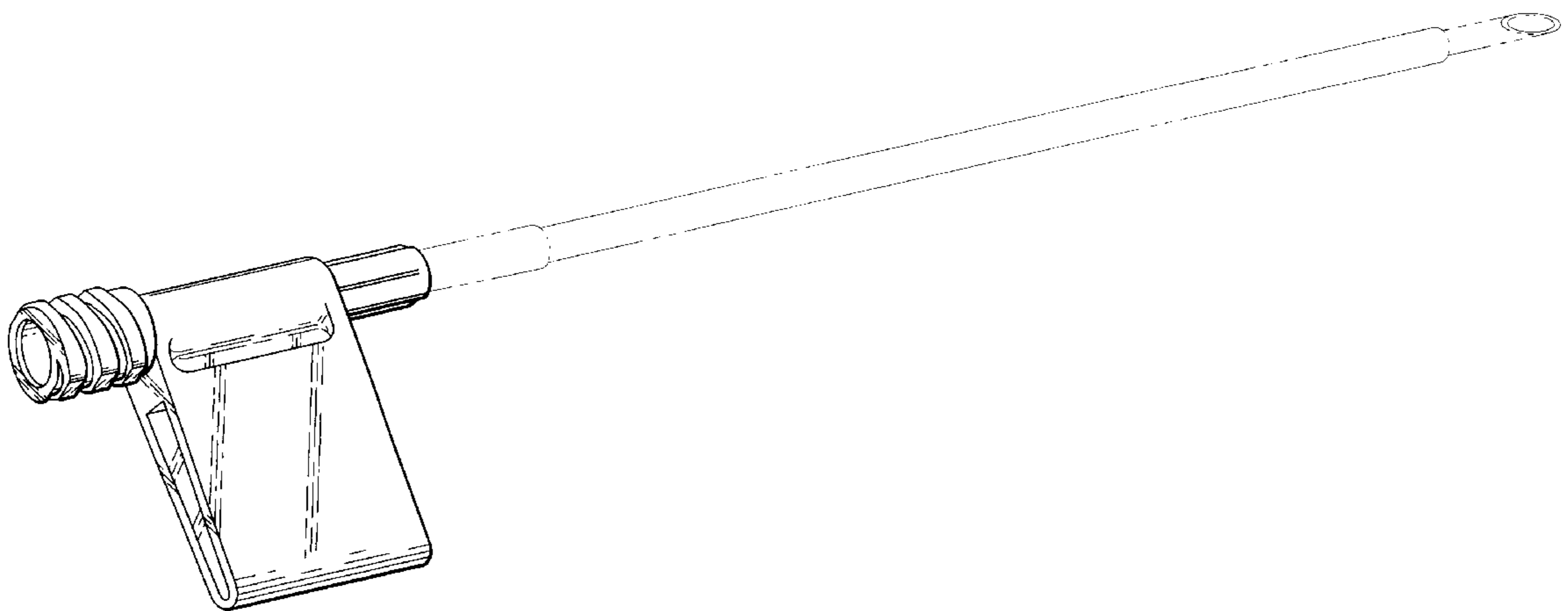
(57) **CLAIM**

The ornamental design for a needle hub, as shown and described.

DESCRIPTION

FIG. 1 is a perspective view of a needle hub showing our new design, the broken line showing is for illustrative purposes only and forms no part of the claimed design; FIG. 2 is a left-side elevational view of the embodiment of FIG. 1; FIG. 3 is a right-side elevational view, showing the side opposite that in FIG. 2; FIG. 4 is a top plan view of the embodiment of FIG. 1; FIG. 5 is a bottom plan view of the embodiment of FIG. 1; FIG. 6 is a front elevational view of the embodiment of FIG. 1; and, FIG. 7 is a rear elevational view of the embodiment of FIG. 1.

1 Claim, 3 Drawing Sheets



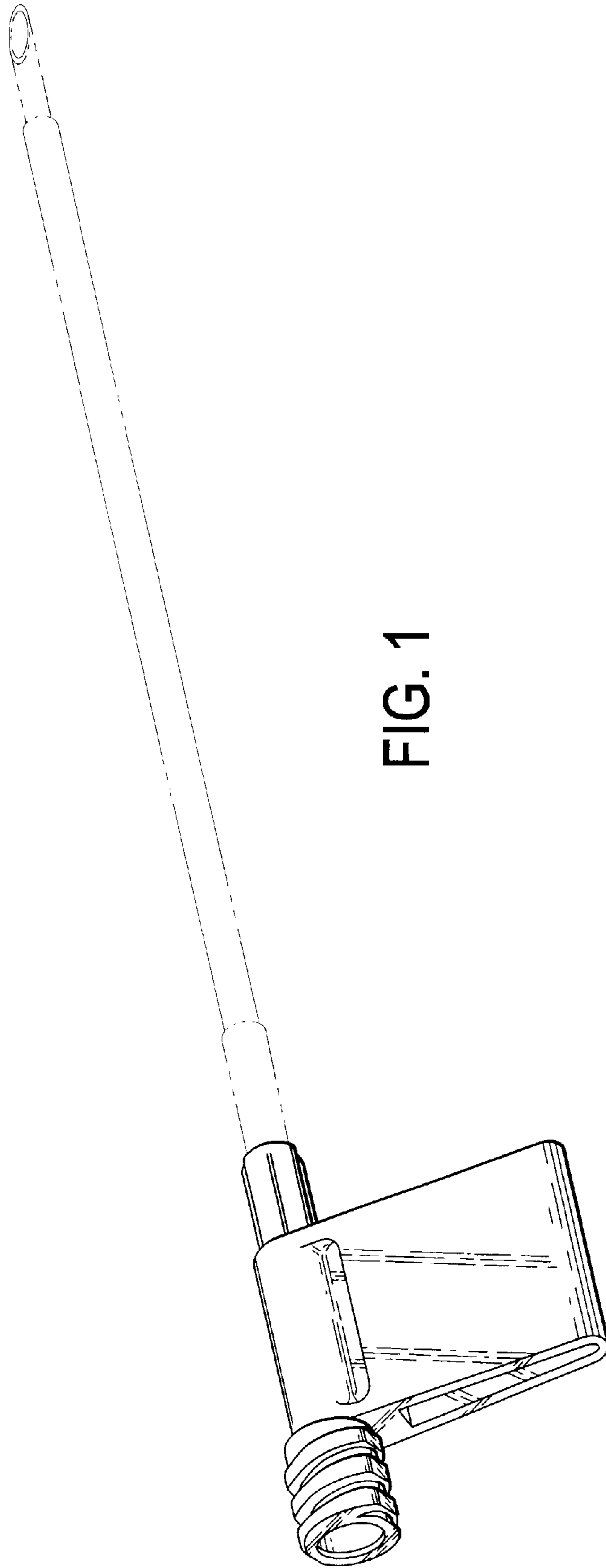


FIG. 1

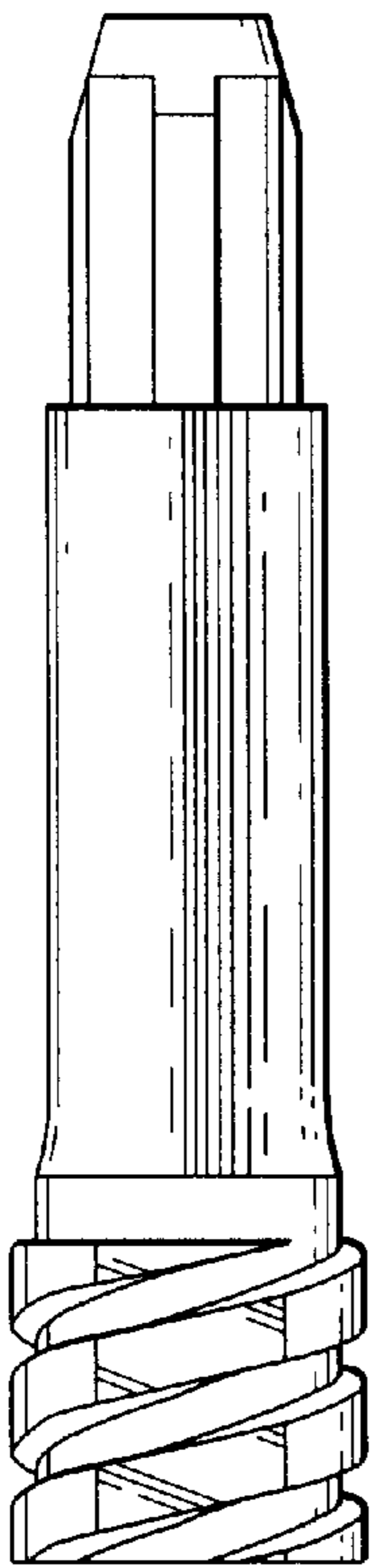


FIG. 4

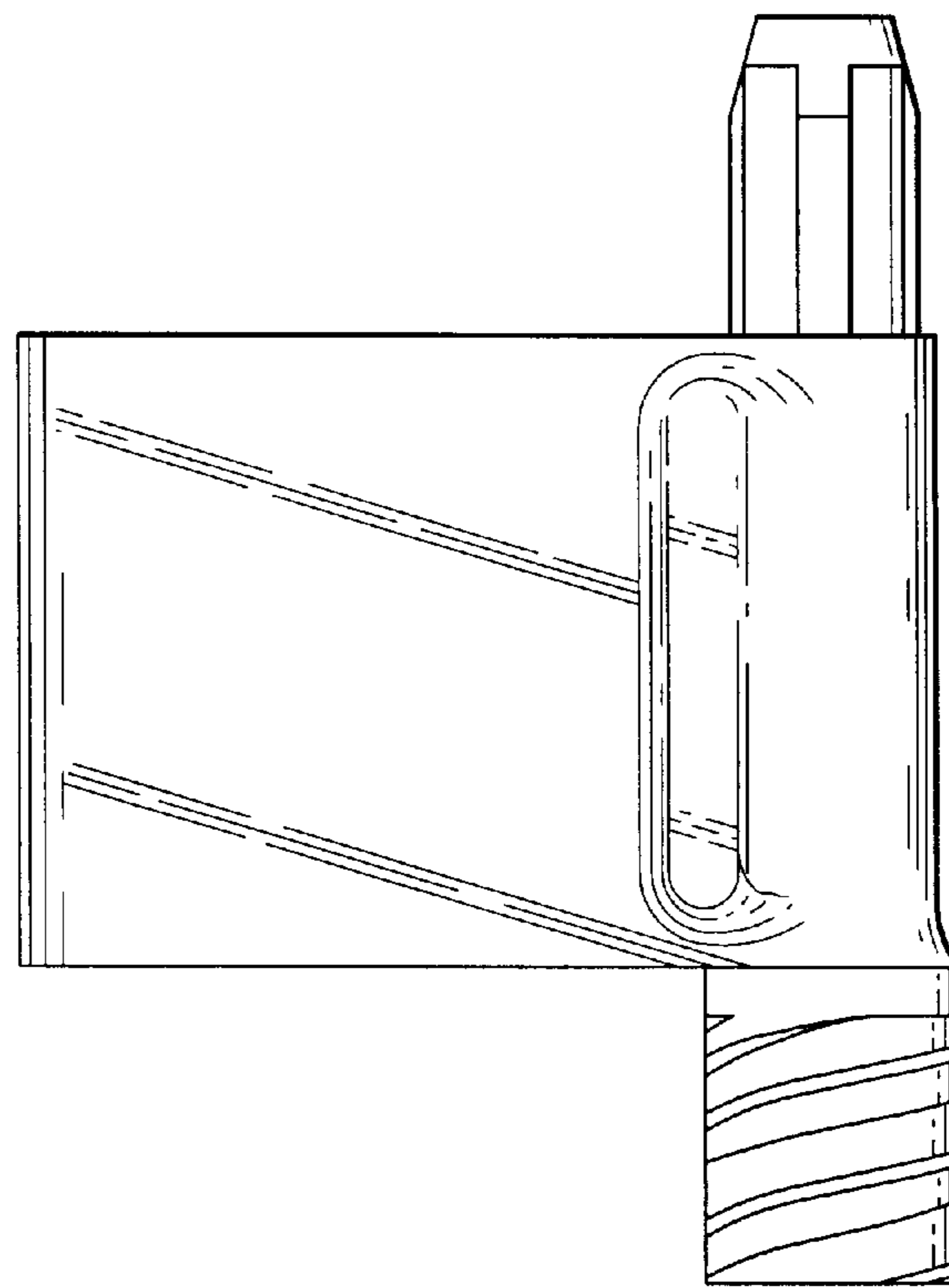


FIG. 2

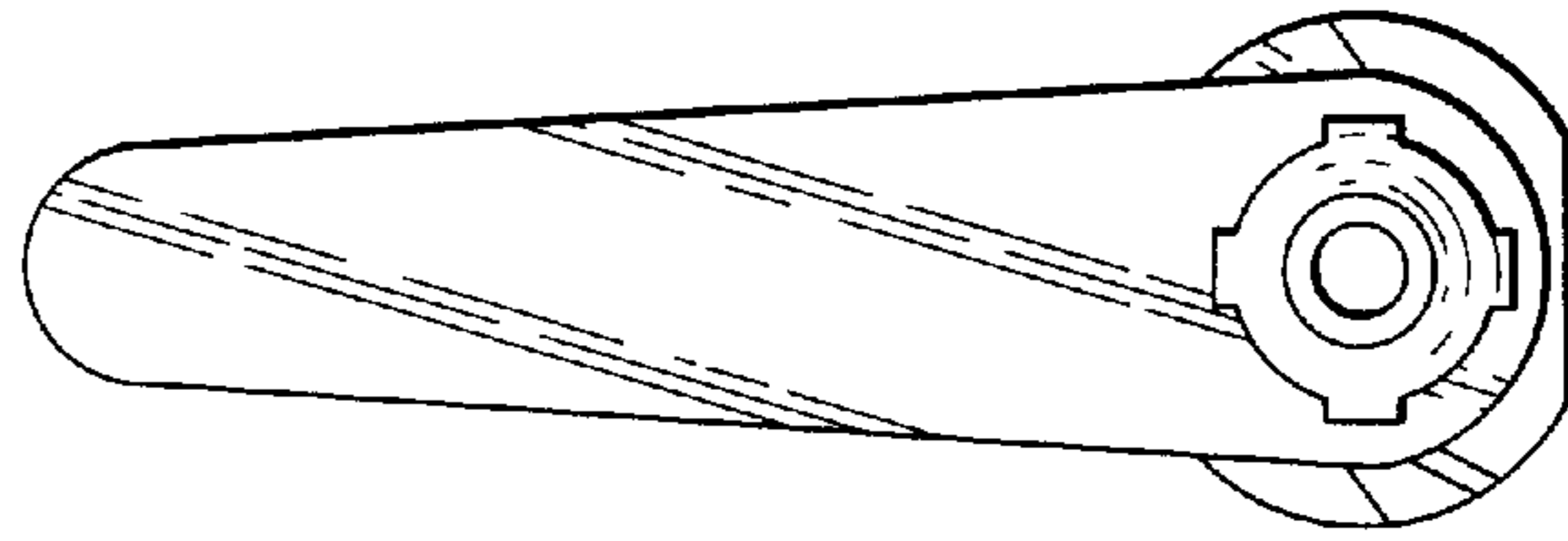


FIG. 6

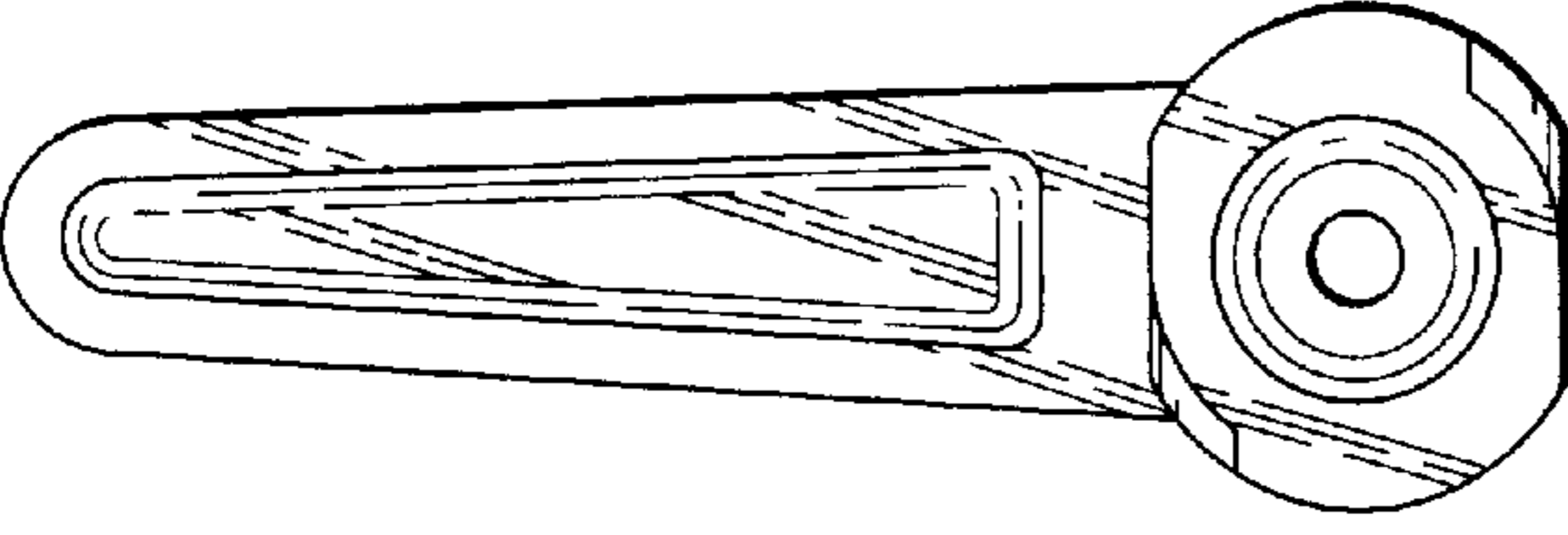


FIG. 7

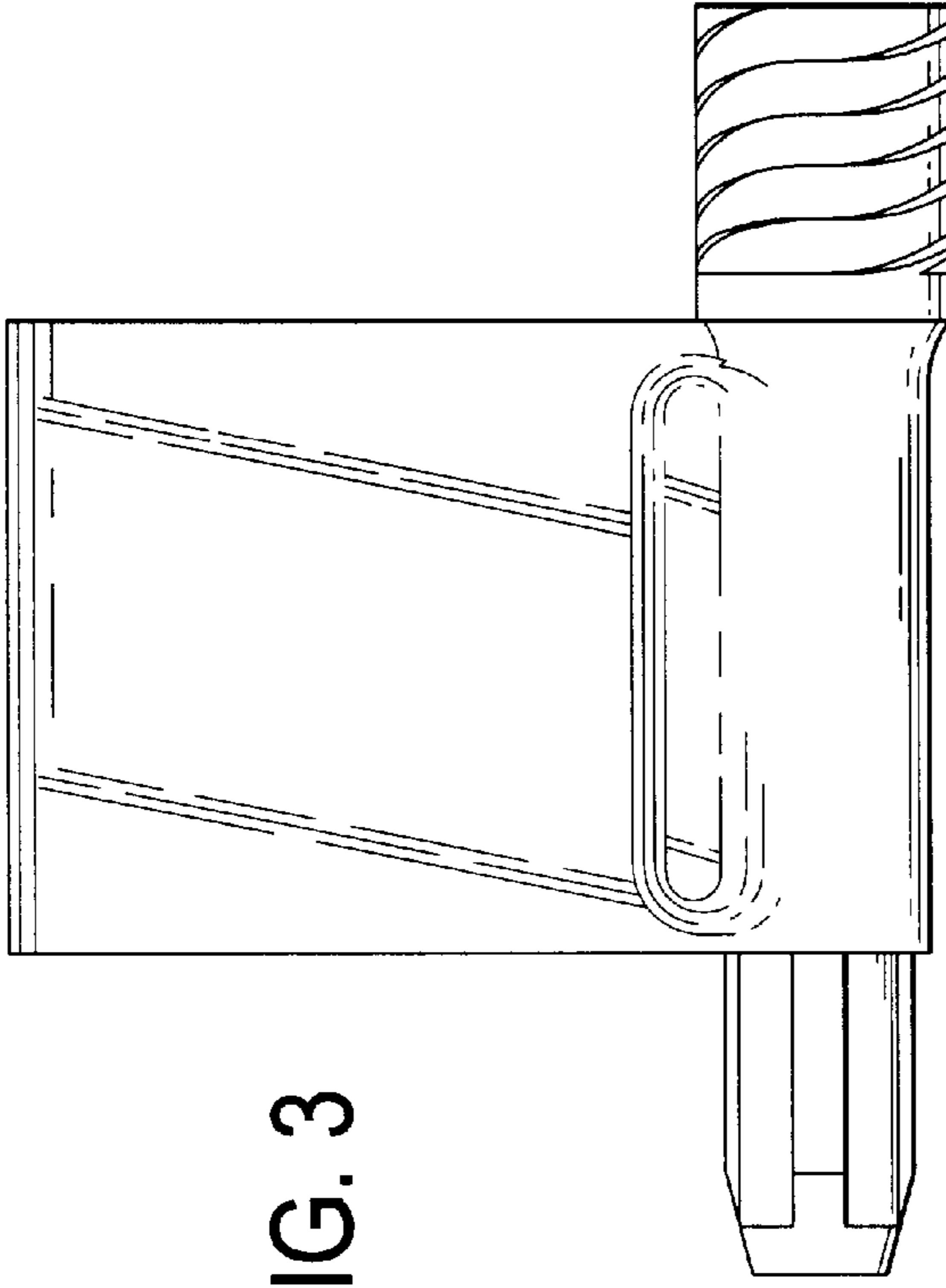


FIG. 3

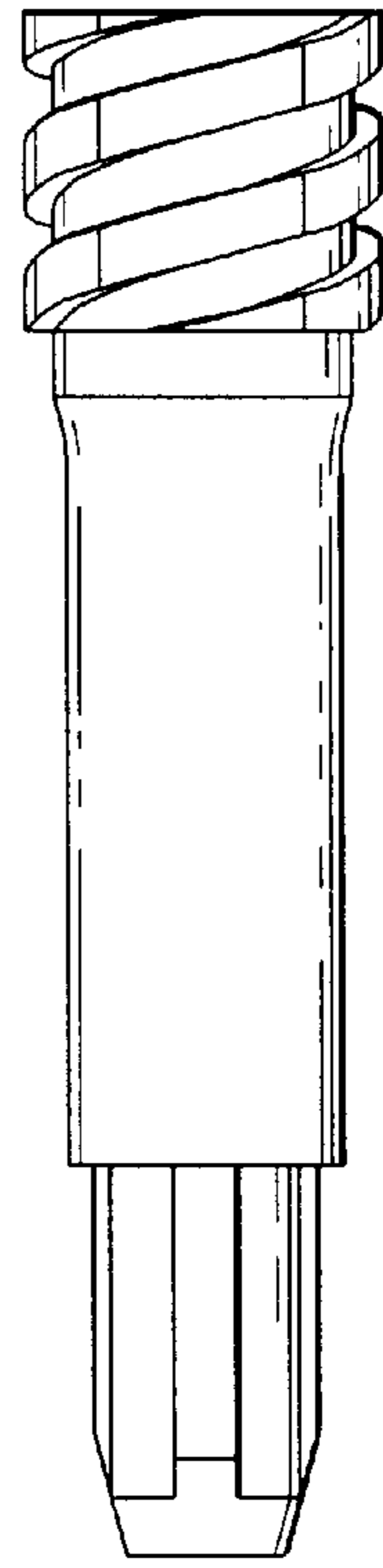


FIG. 5