



US00D483109S

(12) **United States Design Patent**
Chang et al.

(10) **Patent No.:** **US D483,109 S**

(45) **Date of Patent:** **** Dec. 2, 2003**

(54) **FRAME OF A HEAT-DISSIPATING FAN**

D461,238 S * 8/2002 Horng D23/411
6,525,938 B1 * 2/2003 Chen 361/695

(75) Inventors: **Shun-Chen Chang**, Taipei (TW);
Kuo-Cheng Lin, Taoyuan (TW);
Wen-Shi Huang, Taoyuan (TW)

* cited by examiner

(73) Assignee: **Delta Electronics Inc.**, Taoyuan Hsien
(TW)

Primary Examiner—Lisa Lichtenstein
(74) *Attorney, Agent, or Firm*—Birch, Stewart, Kolasch &
Birch, LLP

(**) Term: **14 Years**

(57) **CLAIM**

(21) Appl. No.: **29/170,199**

The ornamental design for a frame of a heat-dissipating fan,
as shown and described herein.

(22) Filed: **Nov. 4, 2002**

DESCRIPTION

(51) **LOC (7) Cl.** **23-04**

(52) **U.S. Cl.** **D23/411**

(58) **Field of Search** D23/411; 361/695,
361/697

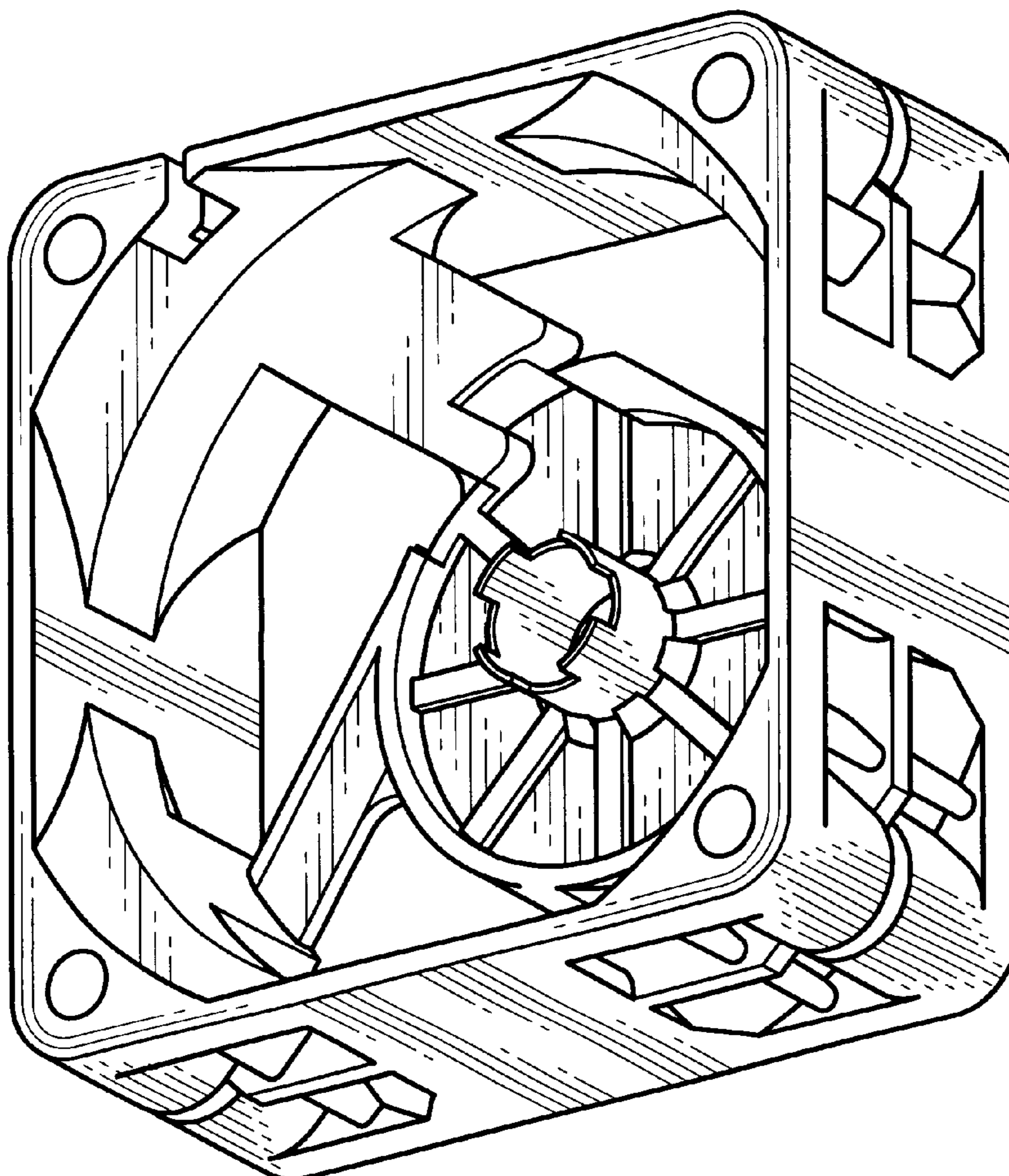
FIG. 1 is a perspective view of a frame of a heat-dissipating fan showing our new design;
FIG. 2 is a right side view thereof;
FIG. 3 is a top view thereof;
FIG. 4 is a front view thereof;
FIG. 5 is a bottom view thereof;
FIG. 6 is a left side view thereof; and,
FIG. 7 is a rear view thereof.

(56) **References Cited**

U.S. PATENT DOCUMENTS

6,322,042 B1 * 11/2001 Nemec 248/694

1 Claim, 4 Drawing Sheets



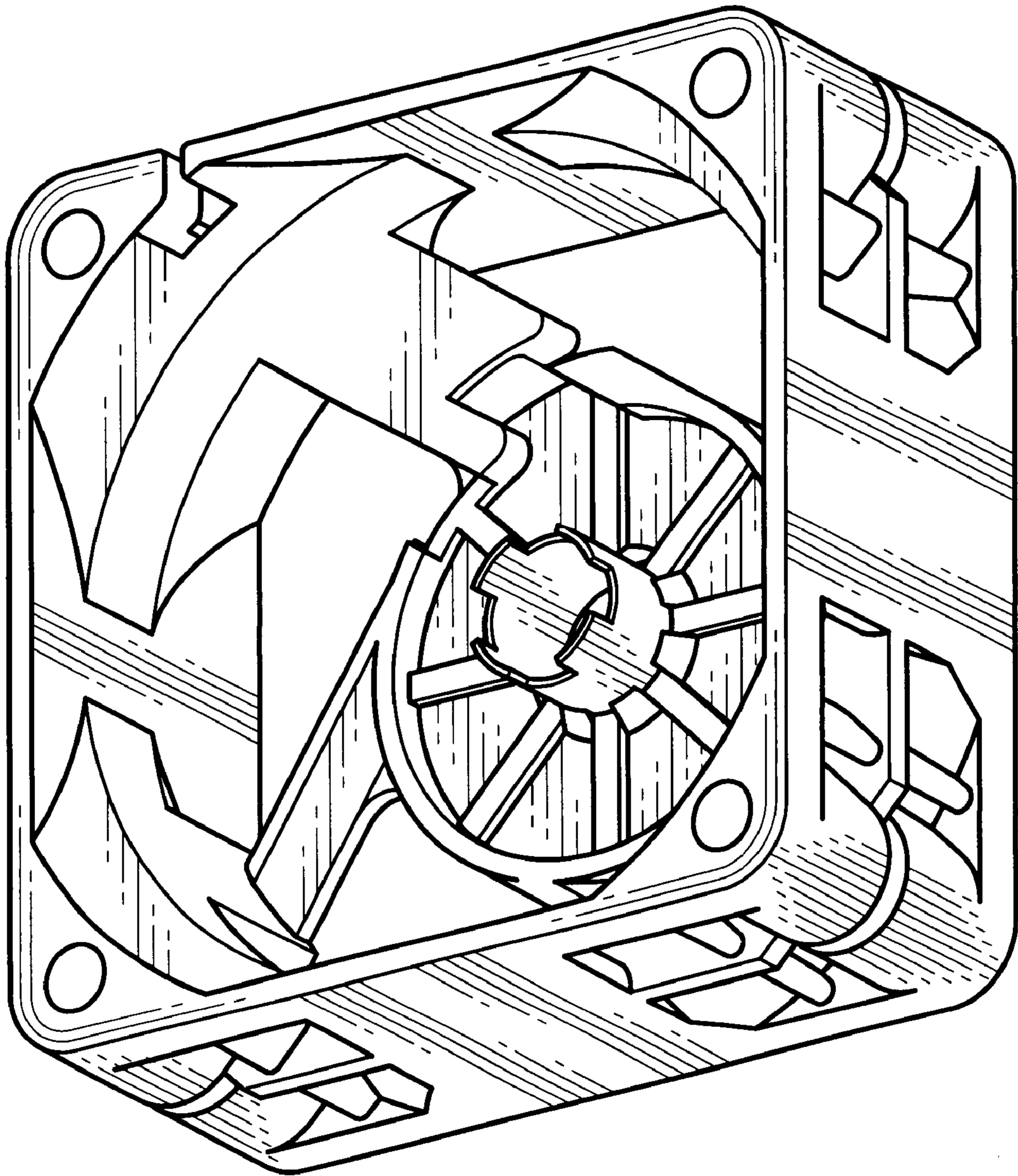


Fig. 1

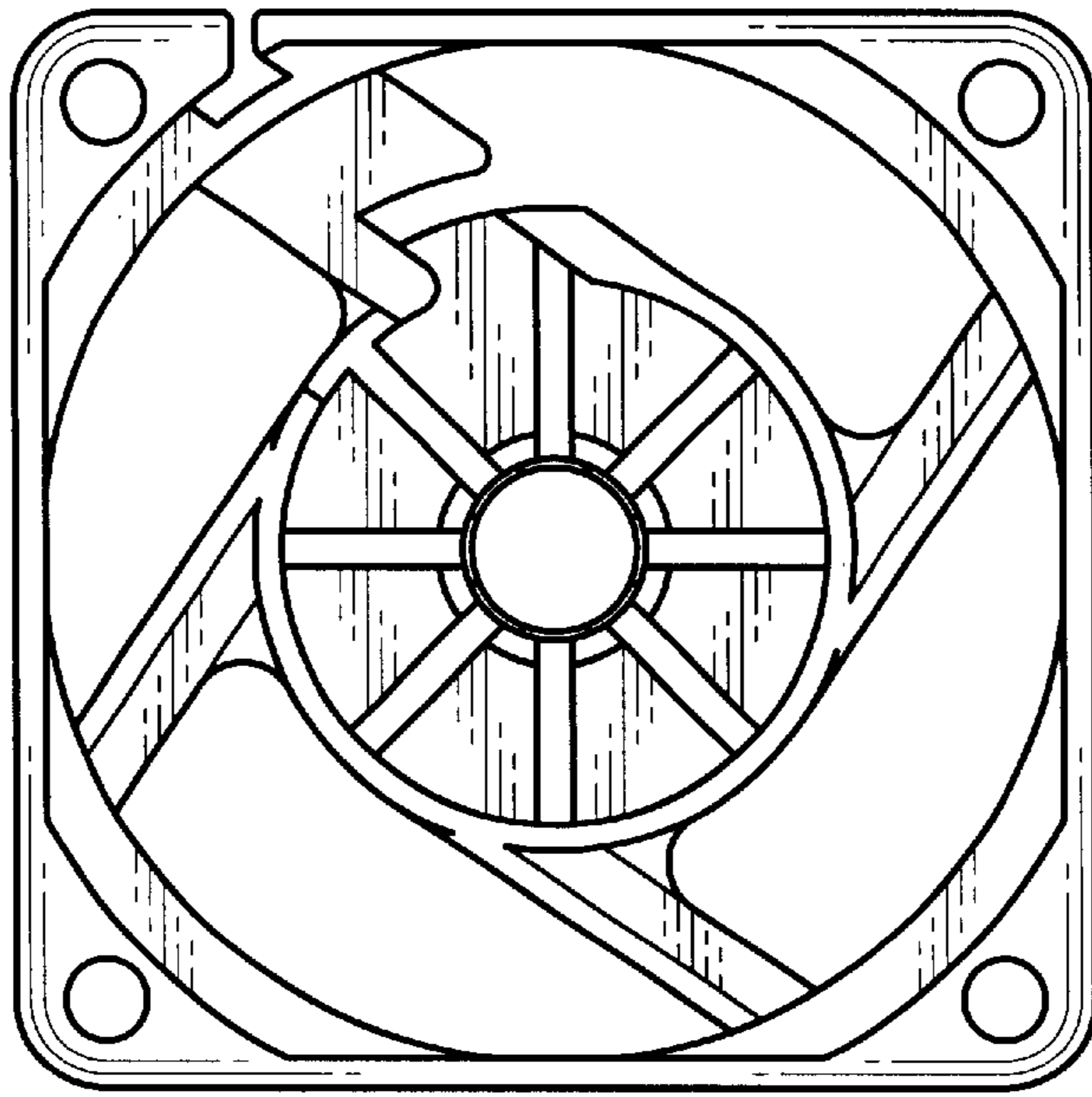


Fig. 2

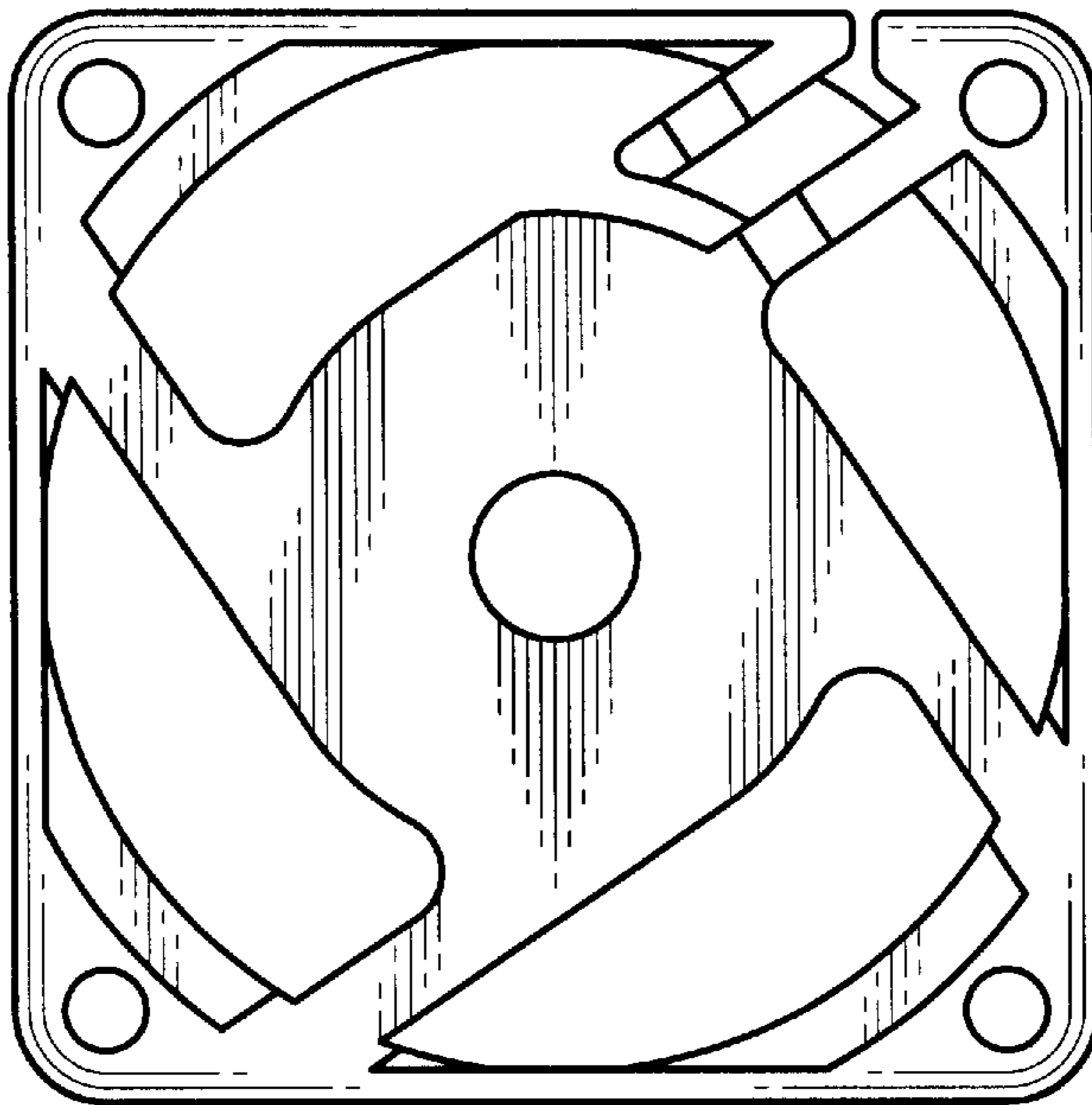


Fig. 3

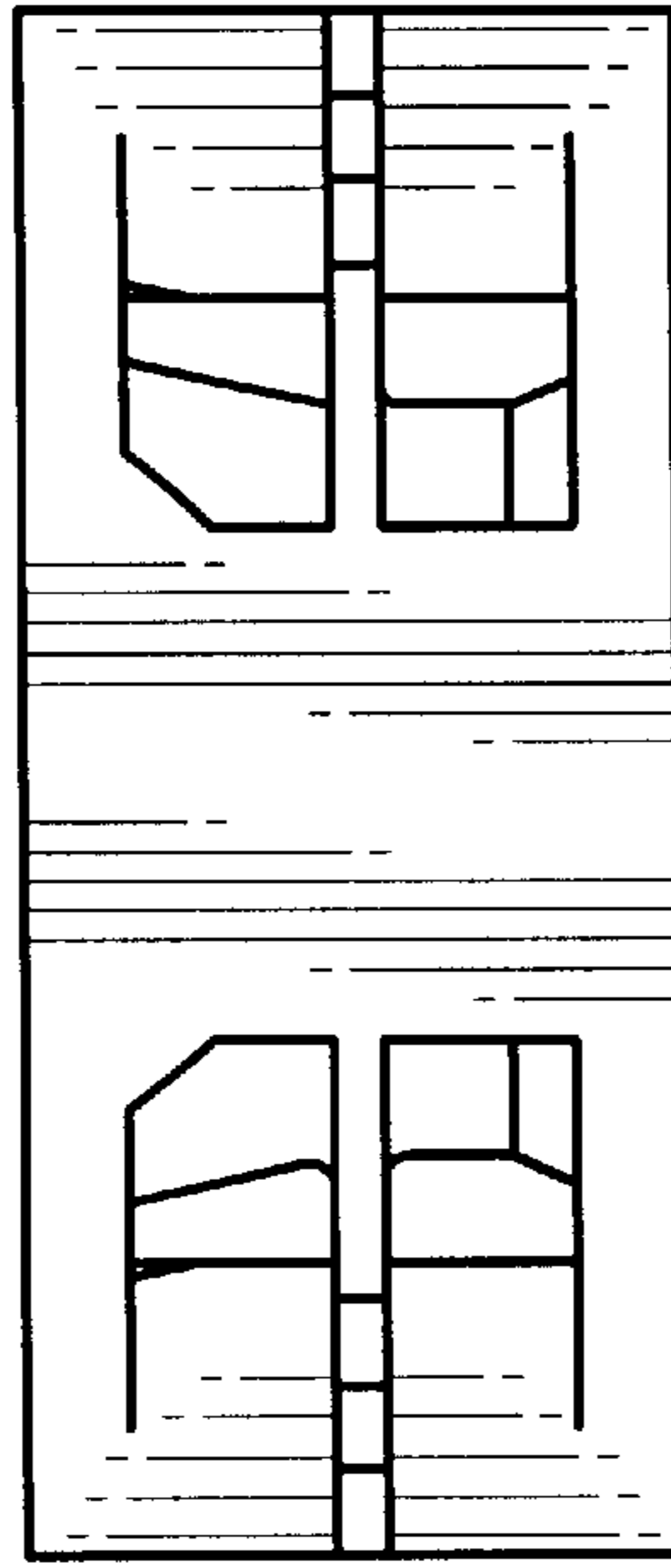


Fig. 4

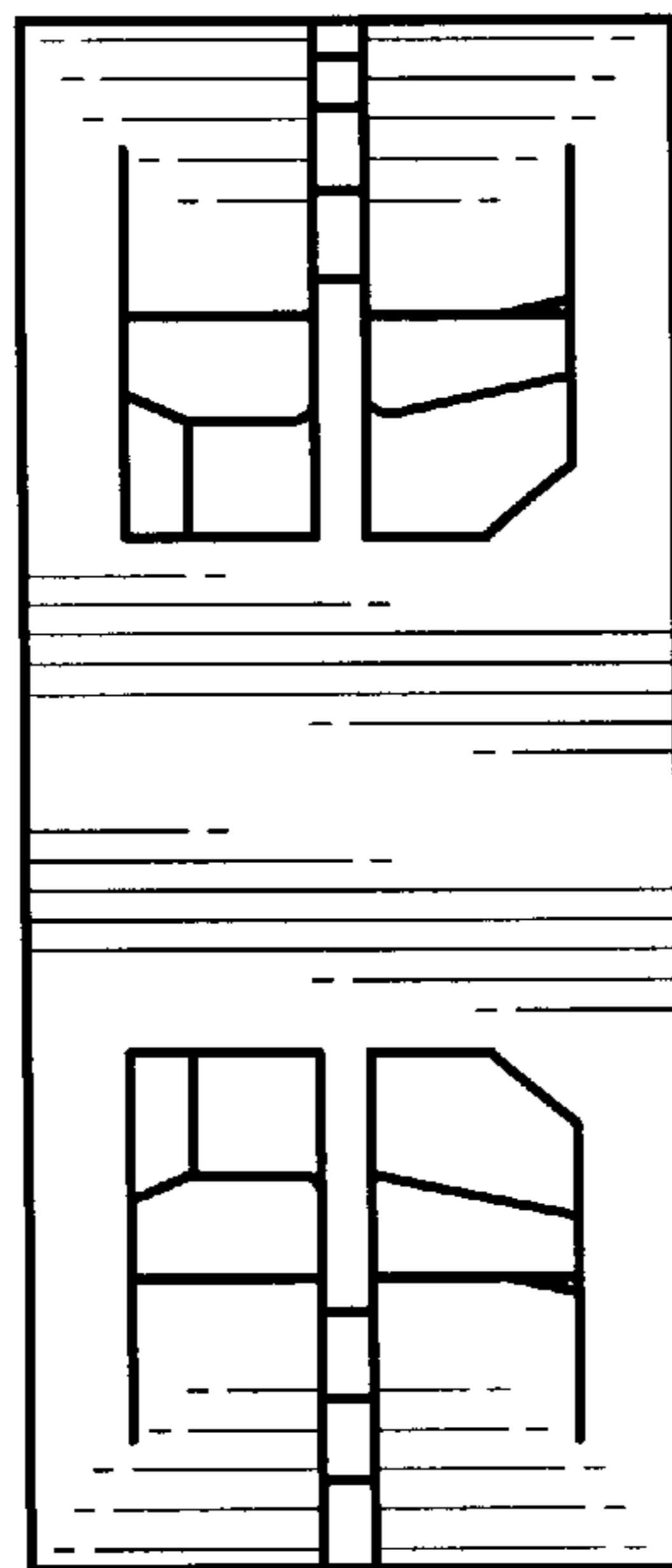


Fig. 5

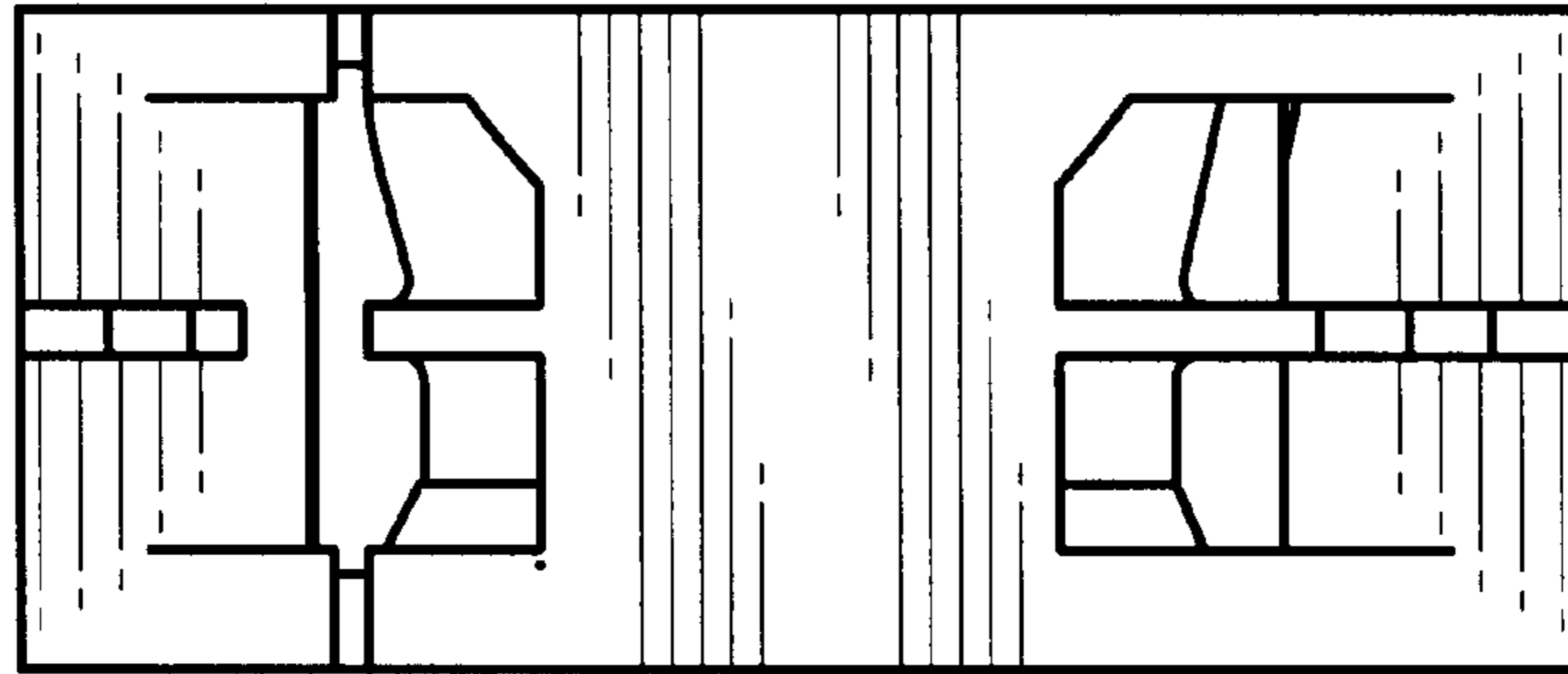


Fig. 6

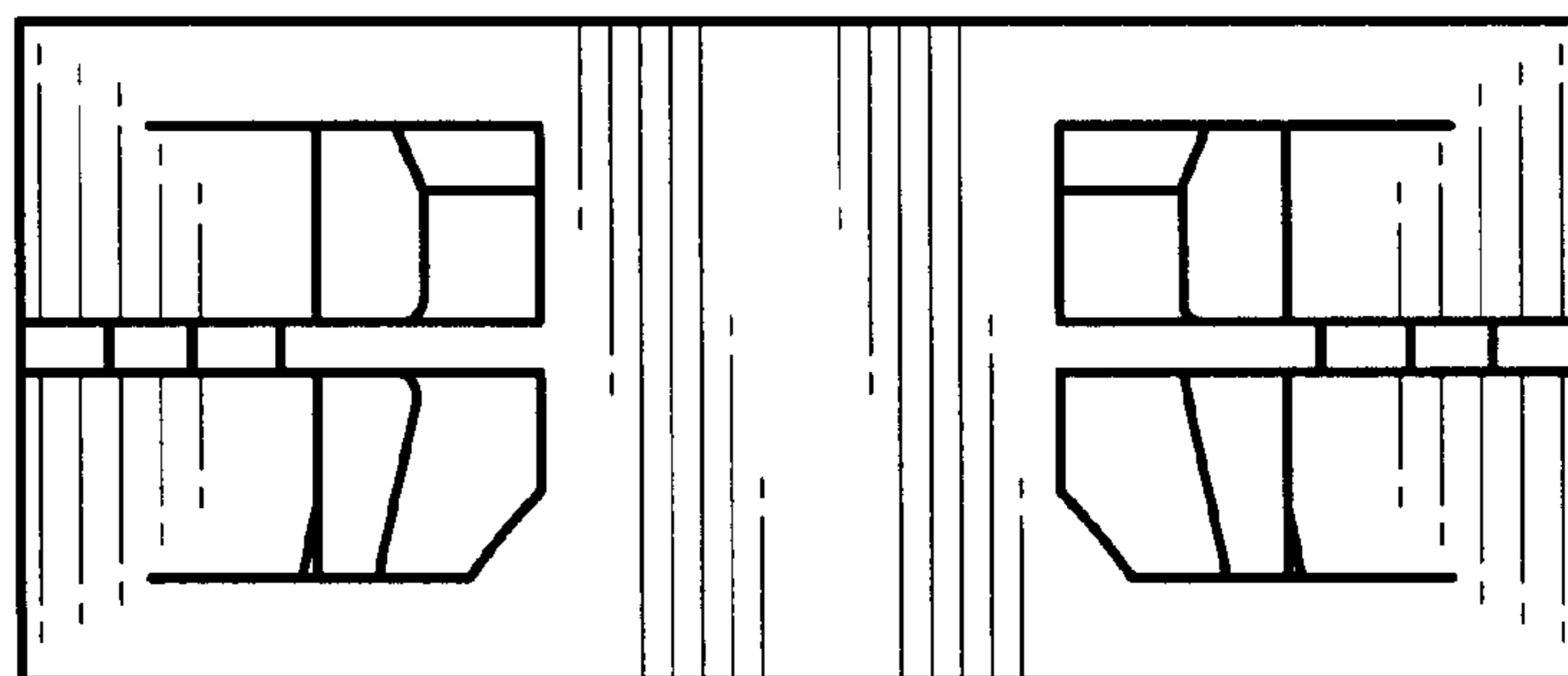


Fig. 7