



US00D483108S

(12) **United States Design Patent**
Frampton

(10) **Patent No.:** **US D483,108 S**

(45) **Date of Patent:** **** Dec. 2, 2003**

(54) **LATTICE MOTOR HOUSING FOR A CEILING FAN**

(75) **Inventor:** **Thomas C. Frampton**, Indianapolis, IN (US)

(73) **Assignee:** **Fanimation Design & Manufacturing, Inc.**, Lebanon, IN (US)

(**) **Term:** **14 Years**

(21) **Appl. No.:** **29/162,273**

(22) **Filed:** **Jun. 14, 2002**

Related U.S. Application Data

(62) Division of application No. 29/153,796, filed on Jan. 11, 2002, now abandoned.

(51) **LOC (7) Cl.** **23-04**

(52) **U.S. Cl.** **D23/411**

(58) **Field of Search** D23/411, 377, D23/379, 385, 413; 416/5; 392/364

(56) **References Cited**

U.S. PATENT DOCUMENTS

2,079,044 A 5/1937 Santmyer
D133,120 S * 7/1942 Spear D23/377
4,132,360 A 1/1979 Lee, Jr.

D313,467 S 1/1991 Frampton
5,439,352 A 8/1995 Line
D403,061 S * 12/1998 Jaspers-Fayer et al. D23/377
D408,074 S * 4/1999 Tai D23/377
D426,879 S * 6/2000 Gajewski D23/411
D438,950 S 3/2001 Frampton
D443,926 S 6/2001 Frampton

* cited by examiner

Primary Examiner—Lisa Lichtenstein
(74) *Attorney, Agent, or Firm*—Daniel L. Boots; Bingham McHale LLP

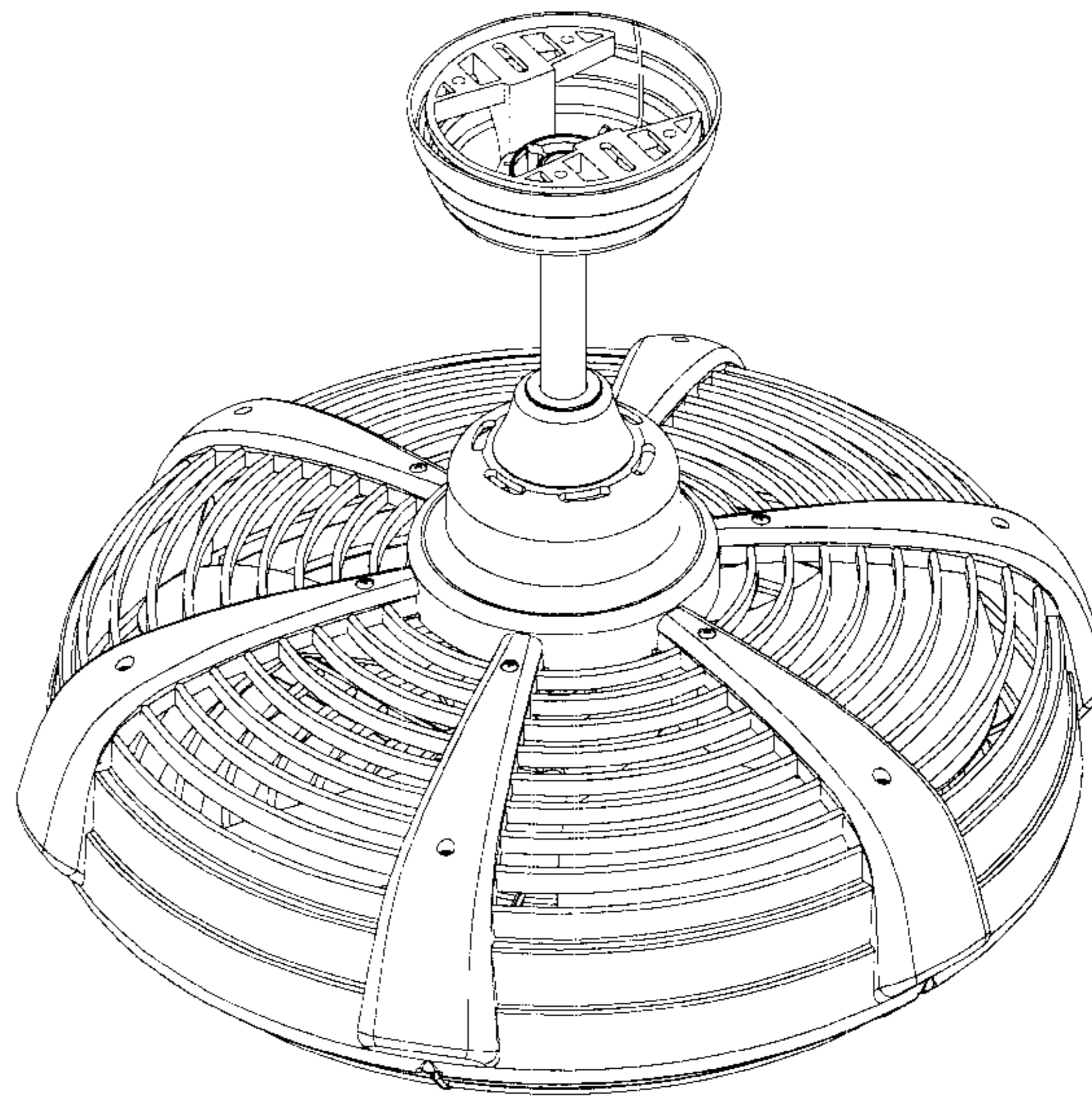
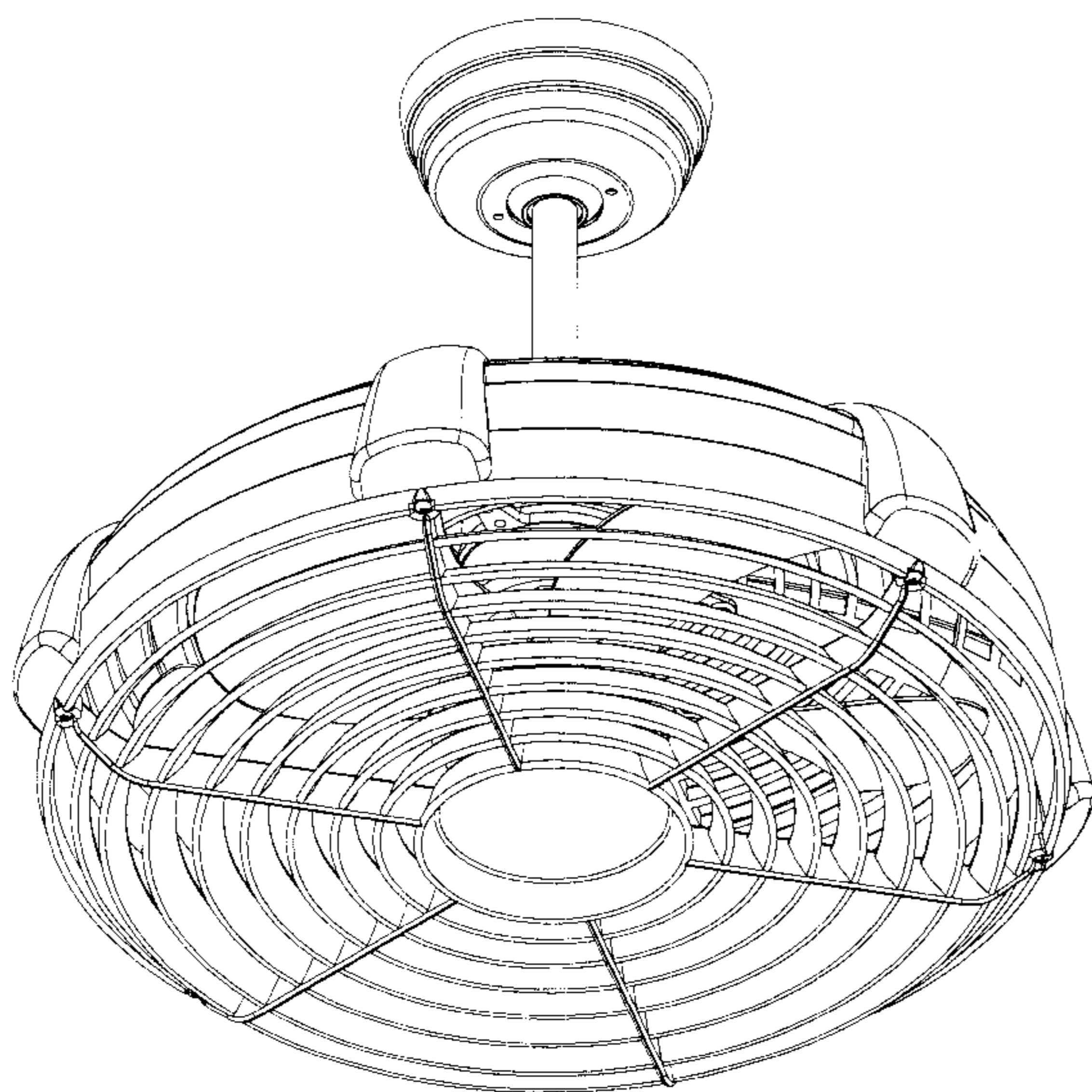
(57) **CLAIM**

The ornamental design for a lattice motor housing for a ceiling fan, as shown.

DESCRIPTION

FIG. 1 is a side view of the lattice motor housing for a ceiling fan showing my new design;
FIG. 2 is another side view of the design of FIG. 1;
FIG. 3 is a top view of the design of FIG. 1;
FIG. 4 is a bottom view of the design of FIG. 1;
FIG. 5 is an elevated perspective view of the bottom of the design of FIG. 1; and,
FIG. 6 is an elevated perspective view of the top of the design of FIG. 1;

1 Claim, 6 Drawing Sheets



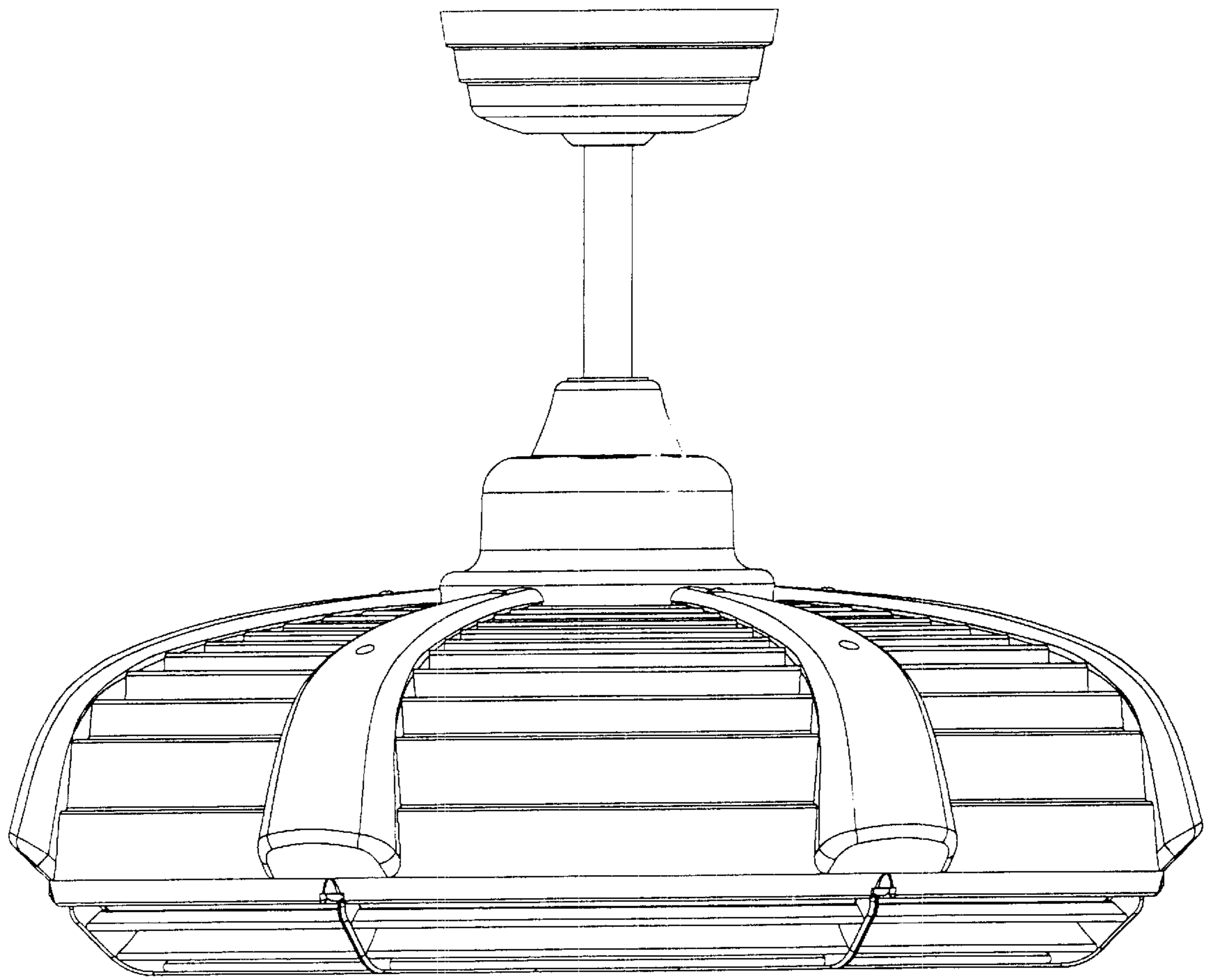


Fig. 1

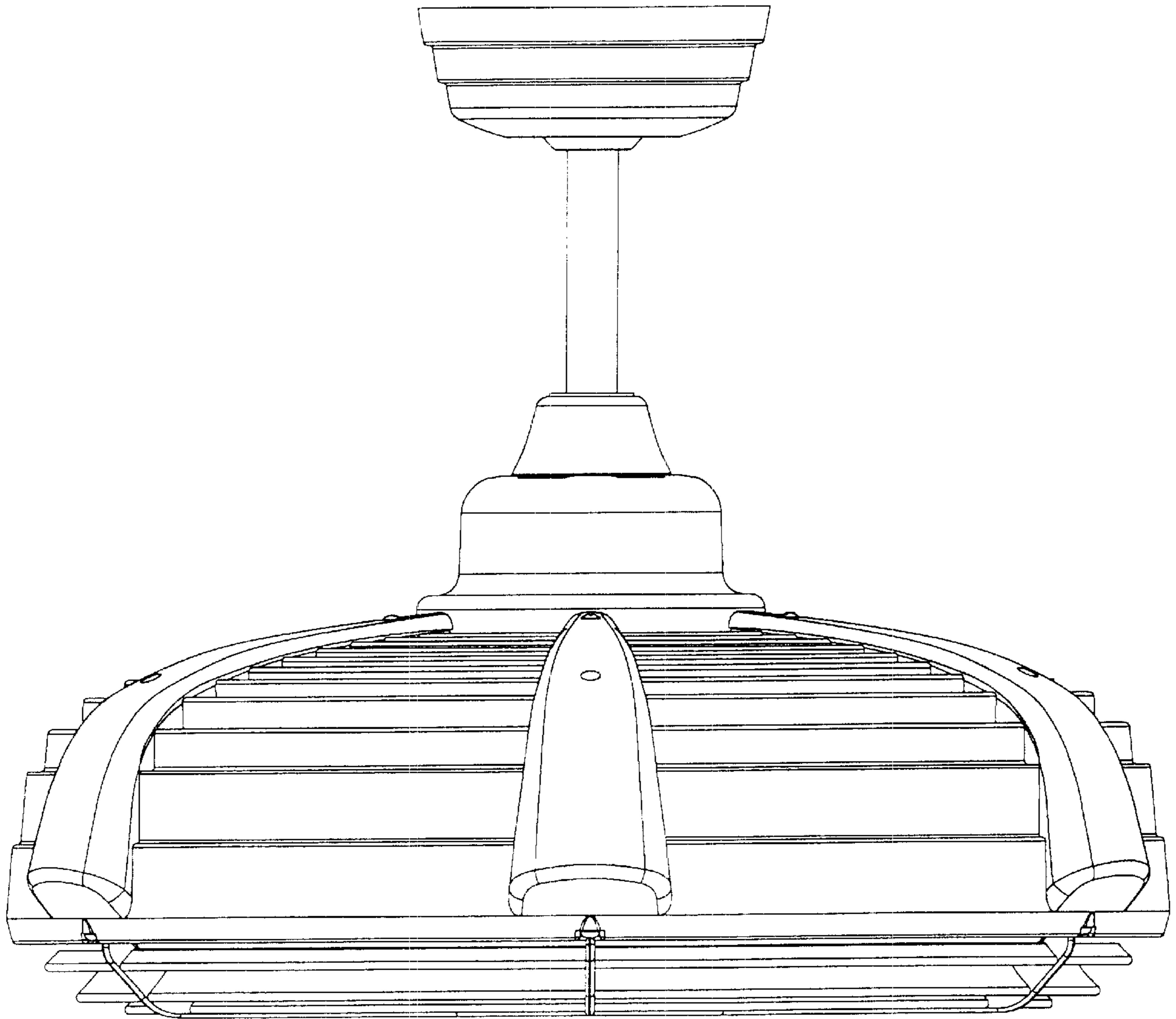


Fig. 2

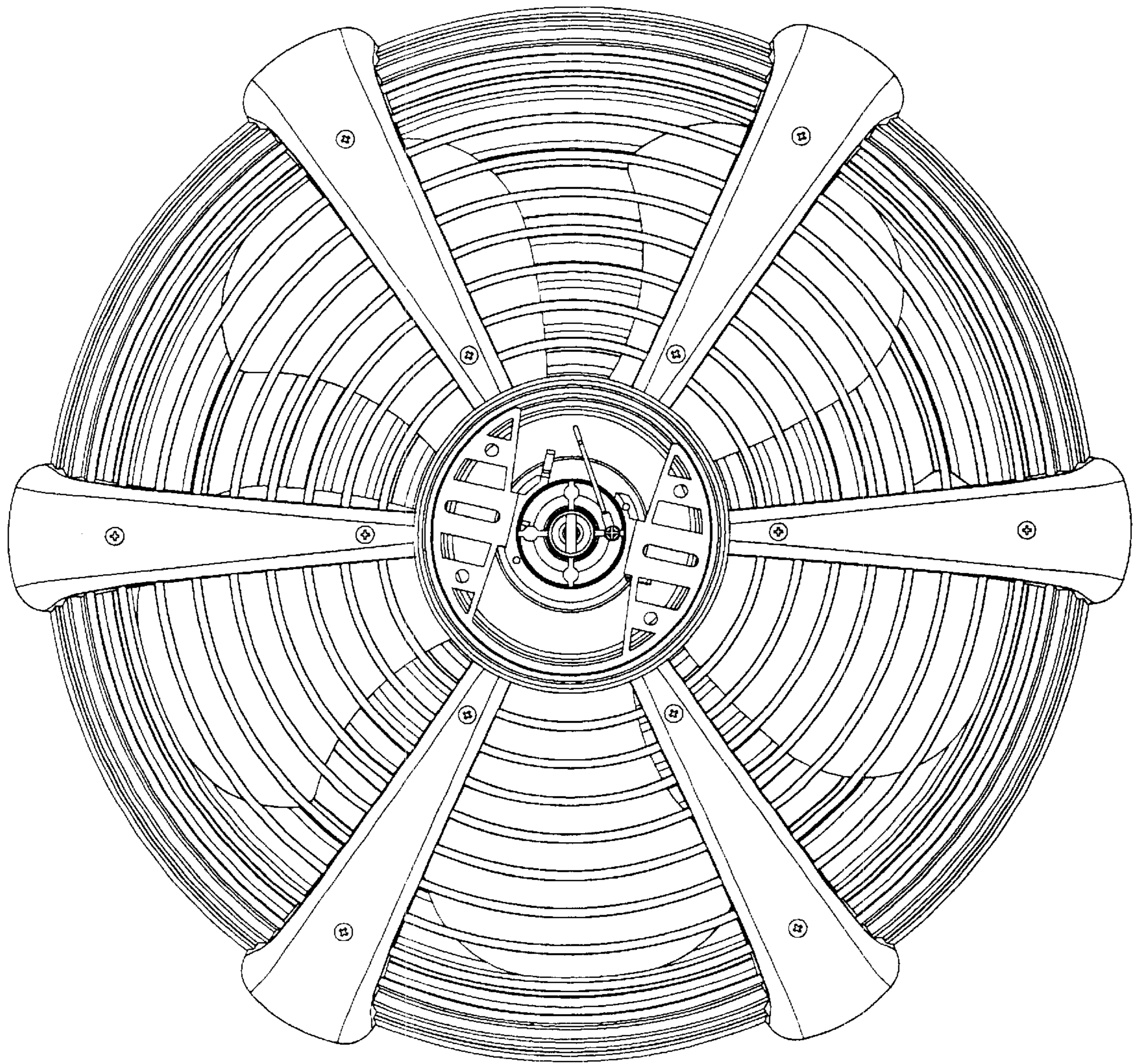


Fig. 3

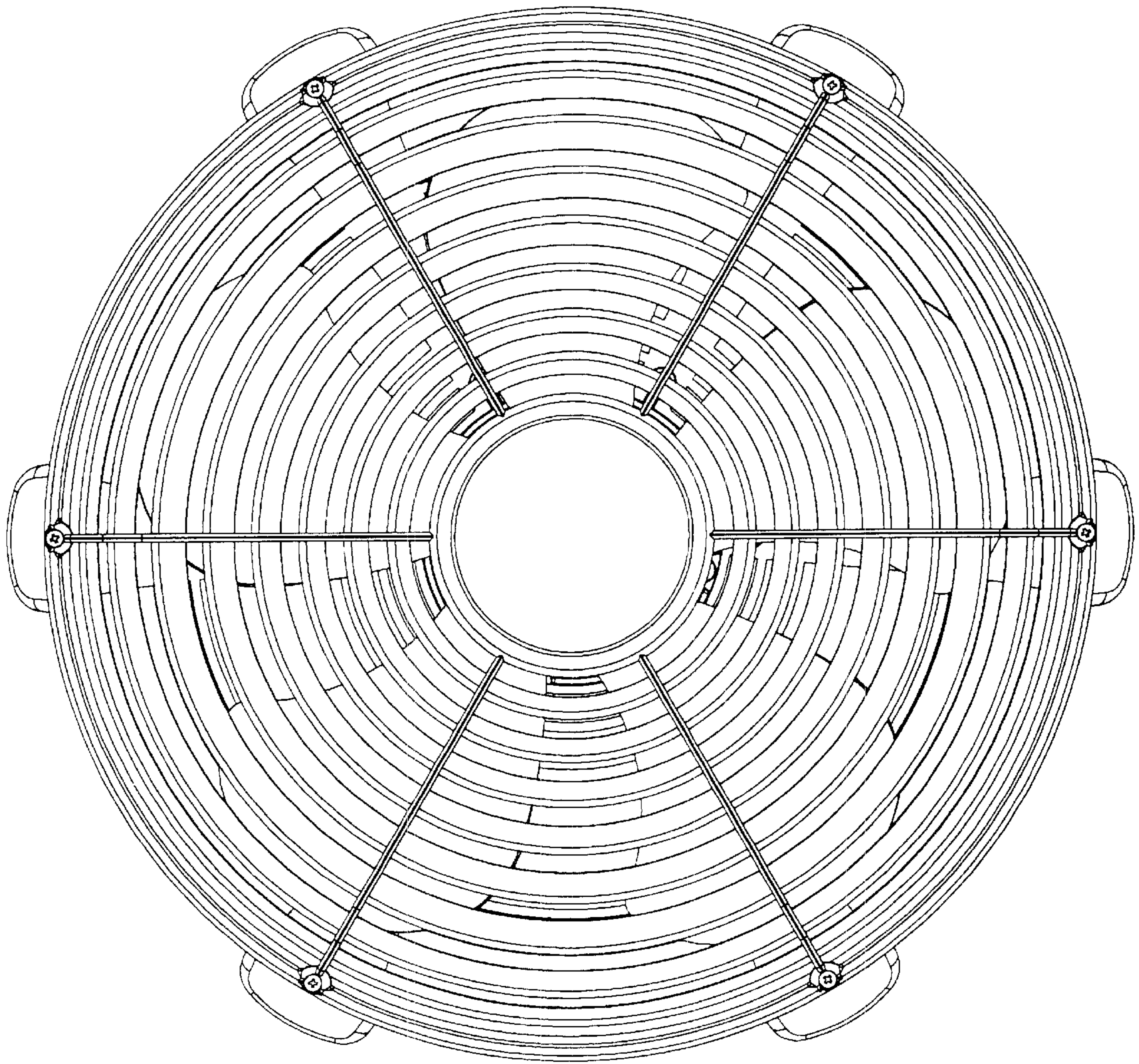


Fig. 4

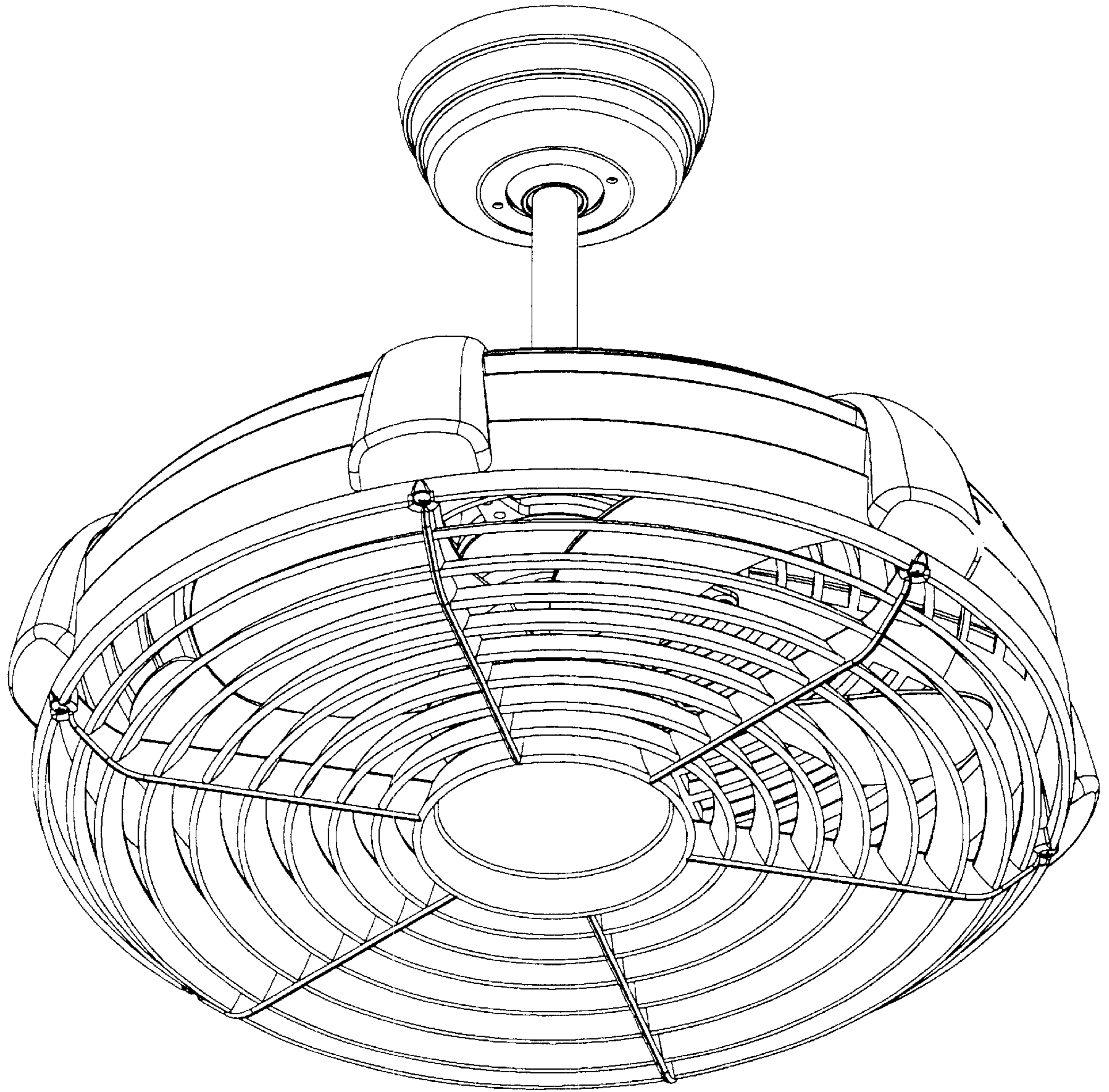


Fig. 5

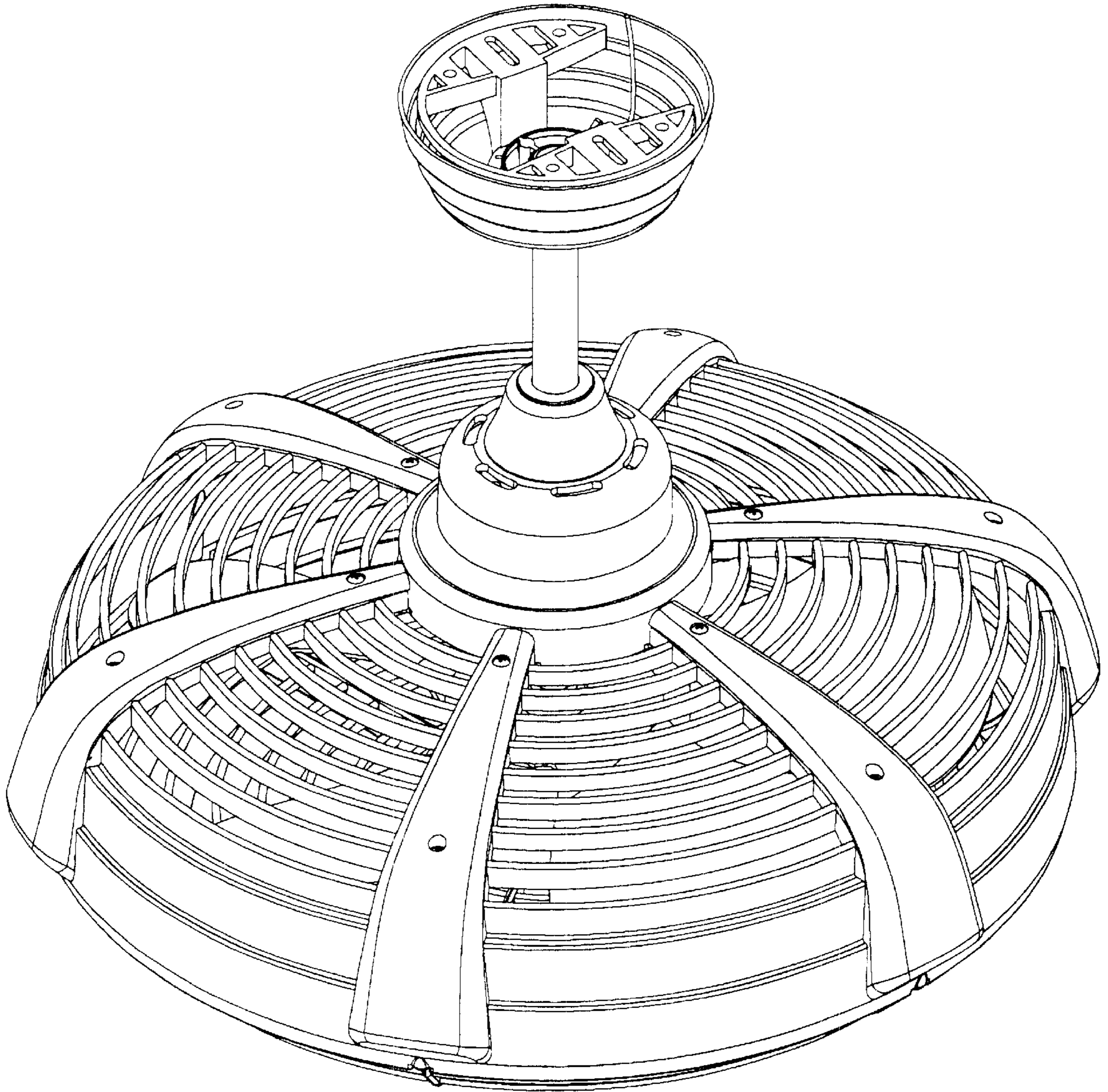


Fig. 6