



US00D483107S

(12) **United States Design Patent**
Horng et al.

(10) **Patent No.:** **US D483,107 S**

(45) **Date of Patent:** **** Dec. 2, 2003**

(54) **HEAT-DISSIPATION FAN**

6,525,939 B2 * 2/2003 Liang et al. 361/697
6,587,341 B1 * 7/2003 Wei 361/695

(75) Inventors: **Alex Horng**, Kaohsiung (TW);
Yin-Rong Horng, Kaohsiung (TW);
Ching-Sheng Hong, Kaohsiung (TW);
Tsung-Min Hsieh, Kaohsiung Hsien
(TW)

* cited by examiner

Primary Examiner—Lisa Lichtenstein
(74) *Attorney, Agent, or Firm*—Bacon & Thomas, PLLC

(73) Assignee: **Sunonwealth Electric Machine
Industry Co., Ltd.**, Kaohsiung (TW)

(57) **CLAIM**

(**) Term: **14 Years**

The ornamental design for a heat-dissipation fan, as shown
in the accompanying drawings.

(21) Appl. No.: **29/177,228**

DESCRIPTION

(22) Filed: **Mar. 7, 2003**

(30) **Foreign Application Priority Data**

Jan. 21, 2003 (TW) 92300429

(51) **LOC (7) Cl.** **23-04**

(52) **U.S. Cl.** **D23/379**

(58) **Field of Search** D23/370, 379;
361/697, 695; 165/121

FIG. 1 is a perspective view of the heat-dissipation fan in
accordance with the embodiment of the claimed design;

FIG. 2 is a right side elevational view thereof;

FIG. 3 is a top plan view thereof;

FIG. 4 is a front elevational view thereof;

FIG. 5 is a bottom plan view thereof;

FIG. 6 is a left side elevational view thereof; and,

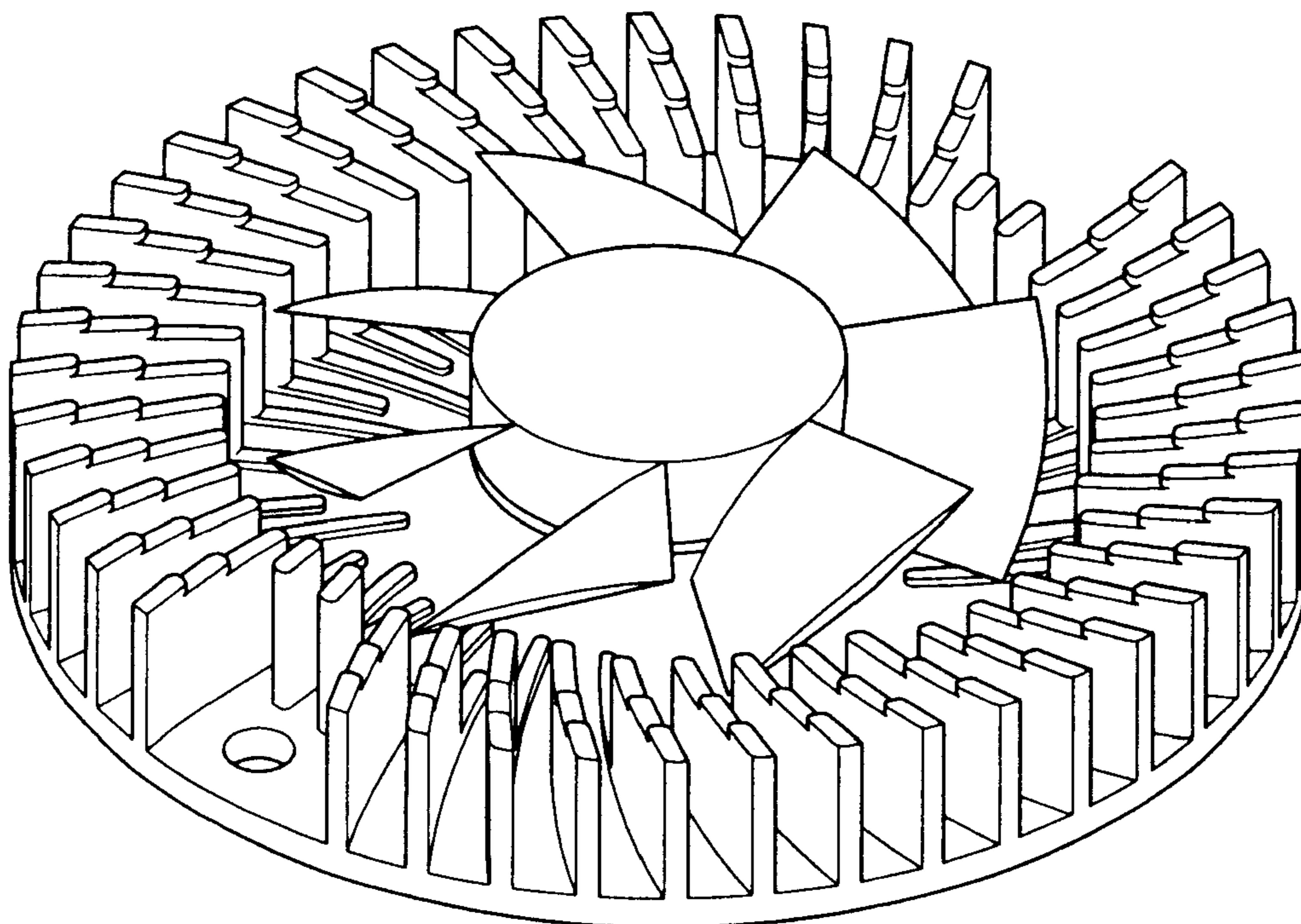
FIG. 7 is a rear elevational view thereof.

(56) **References Cited**

U.S. PATENT DOCUMENTS

5,335,722 A * 8/1994 Wu 165/122

1 Claim, 4 Drawing Sheets



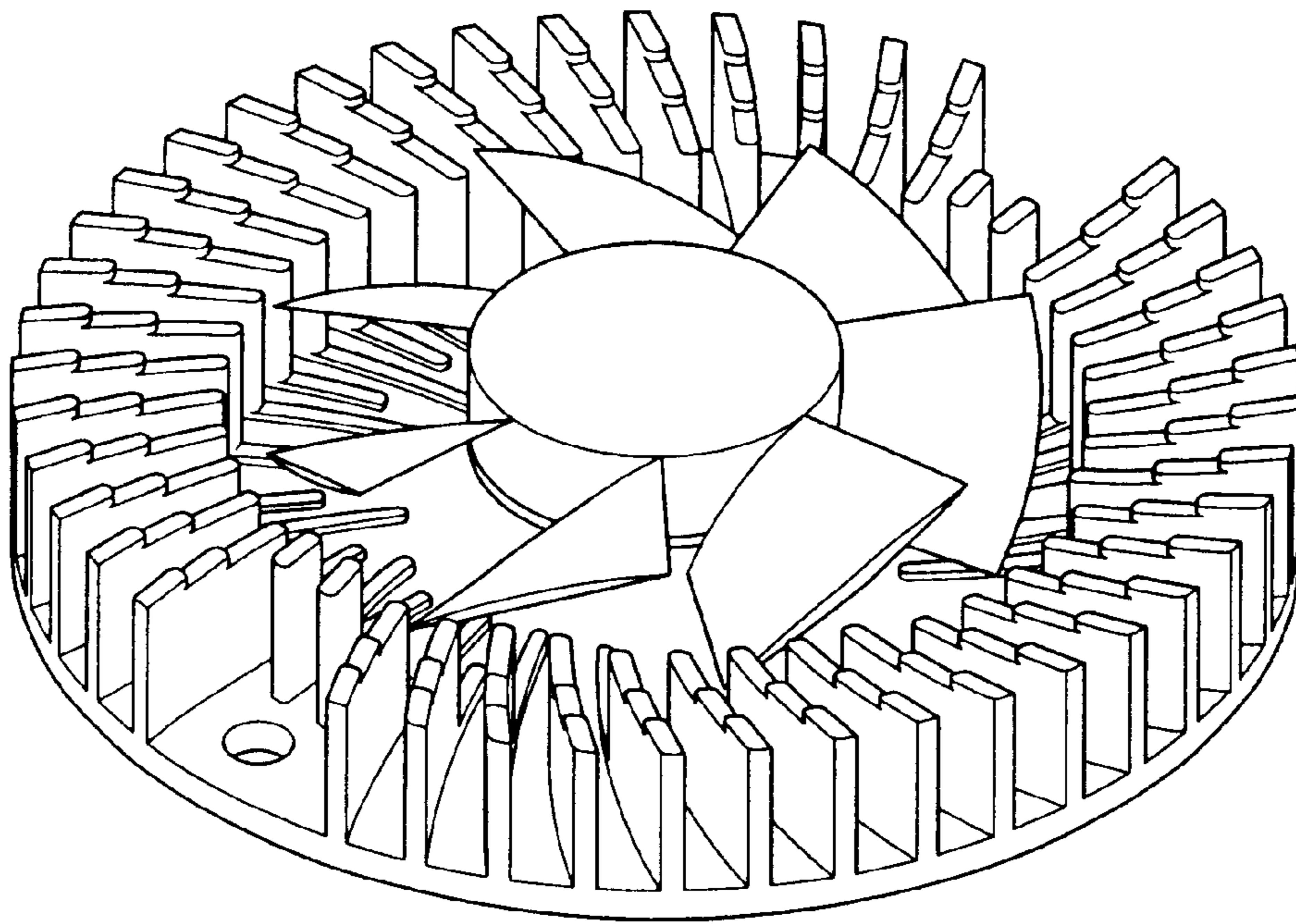


FIG. 1

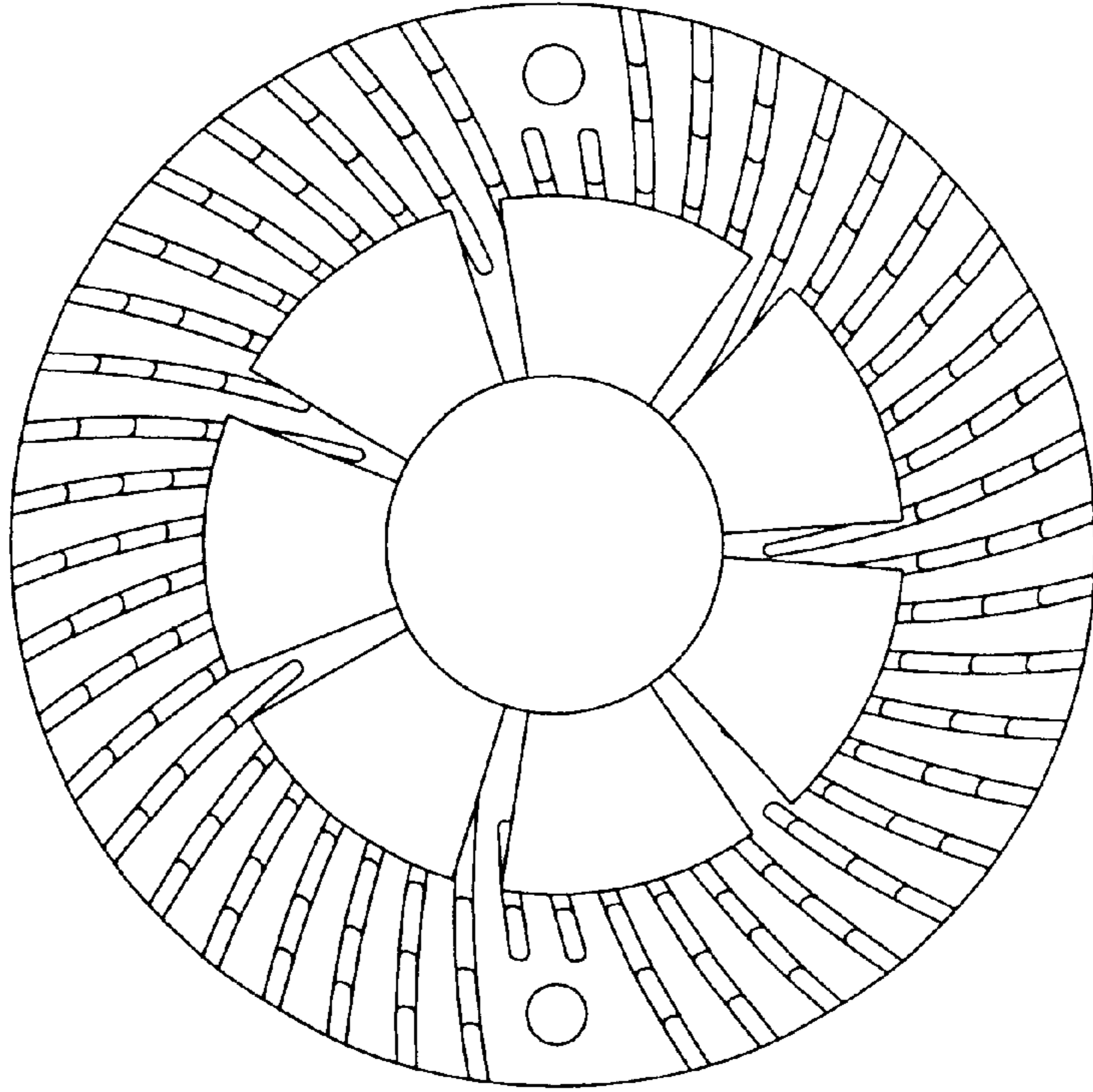


FIG. 3

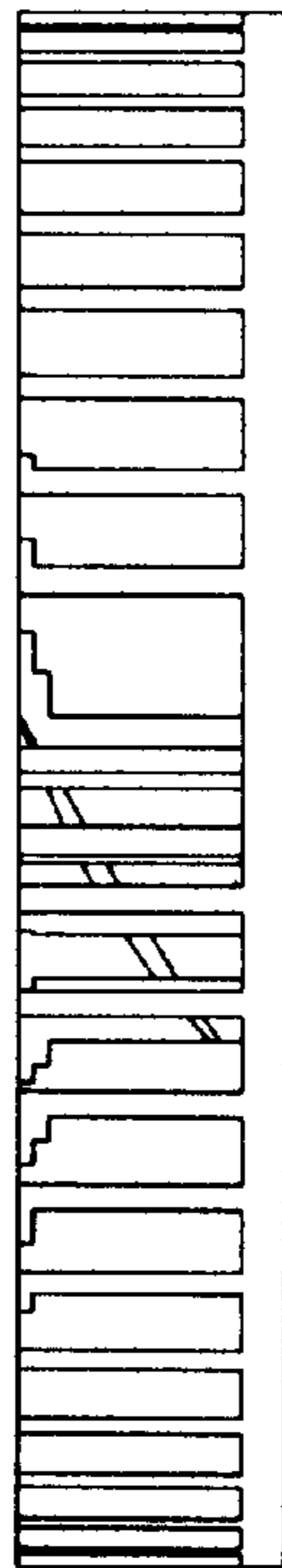


FIG. 2

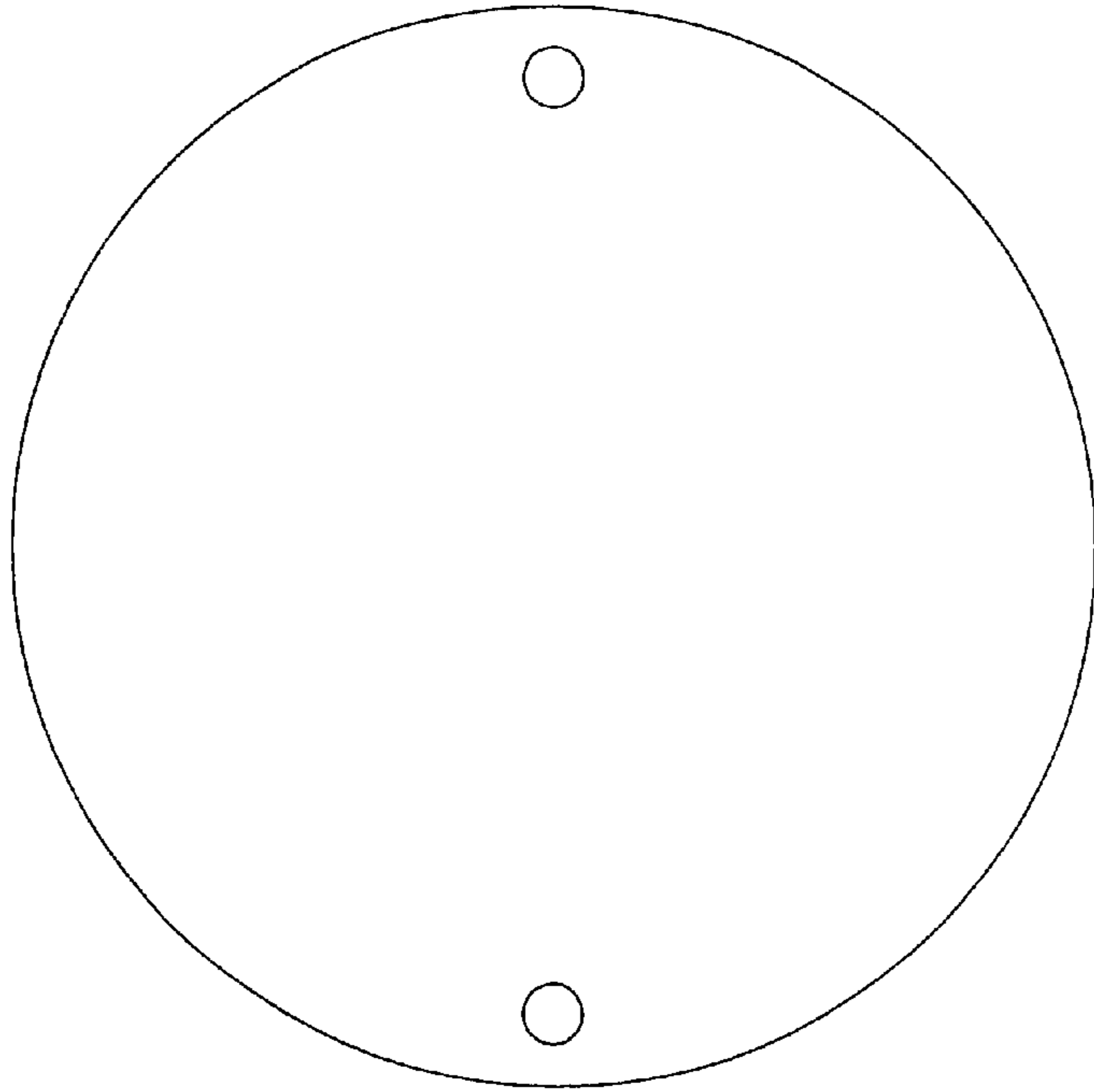


FIG. 5

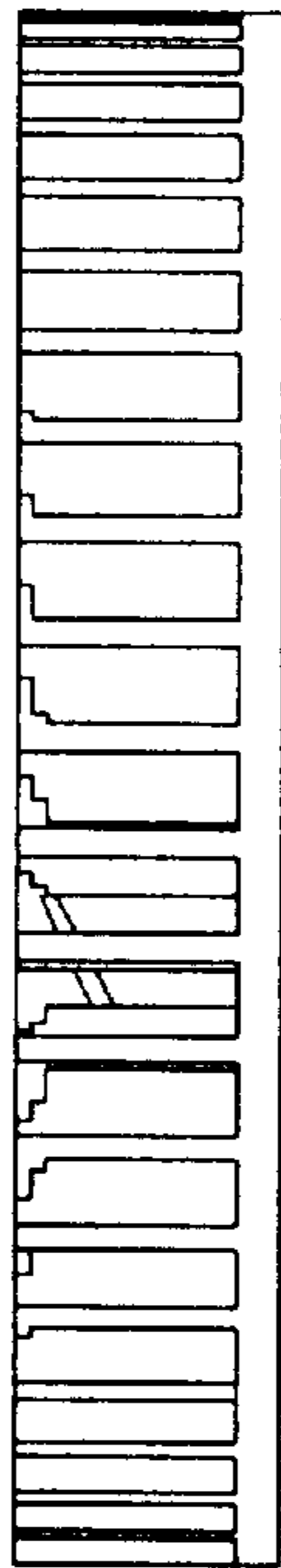


FIG. 4

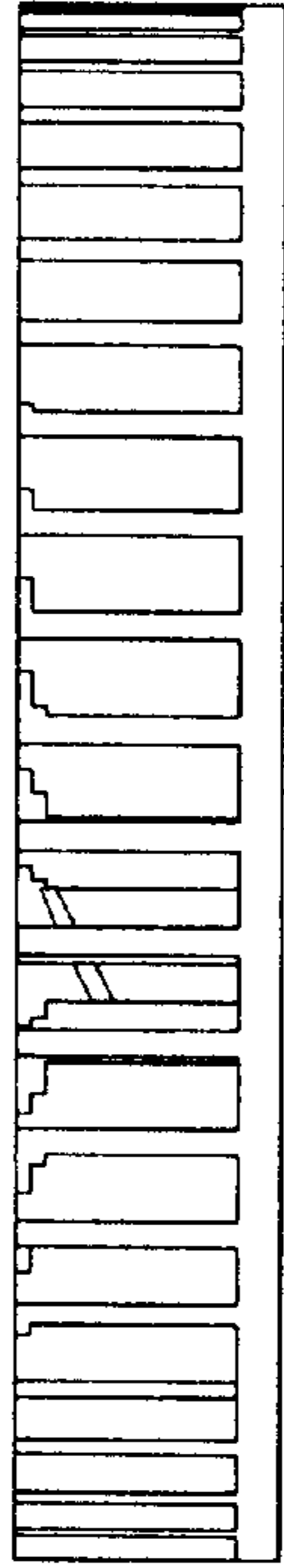


FIG. 6

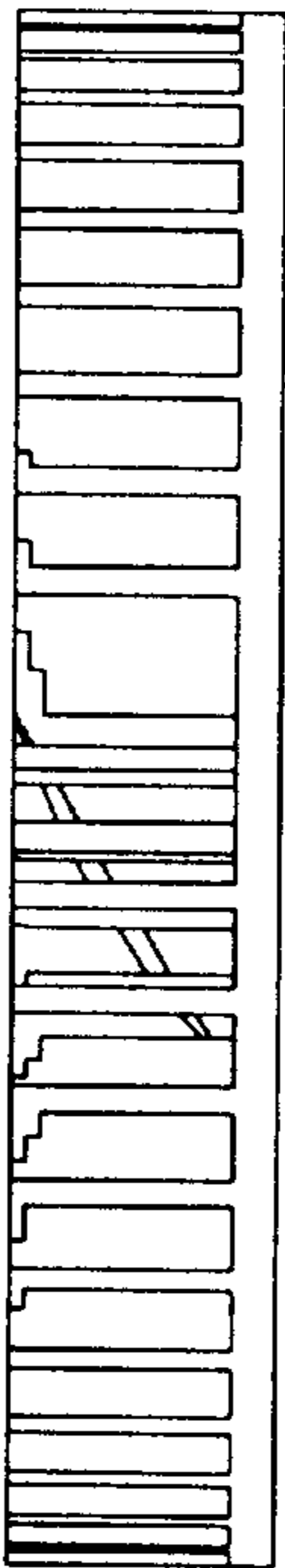


FIG. 7