



US00D483104S

(12) **United States Design Patent**
Hill et al.

(10) **Patent No.:** **US D483,104 S**

(45) **Date of Patent:** **** Dec. 2, 2003**

(54) **COMBINED ELECTRICAL VEHICLE AIR FRESHENER AND CIGARETTE LIGHTER ADAPTER**

5,192,342 A 3/1993 Baron et al.
5,334,361 A 8/1994 Rafaelides
D390,939 S * 2/1998 Colandro D23/366
D442,683 S * 5/2001 Wu D23/366

(76) Inventors: **Ervin L. Hill**, 4509 SE. 20th St., Del City, OK (US) 73115; **Hemat M. M. Hussein**, 4509 SE. 20th St., Del City, OK (US) 73115

* cited by examiner

Primary Examiner—Lisa Lichtenstein
(74) *Attorney, Agent, or Firm*—Donald R. Schoonover

(**) Term: **14 Years**

(57) **CLAIM**

(21) Appl. No.: **29/179,253**

We claim the ornamental design for a combined electrical vehicle air freshener and cigarette lighter adapter, as shown and described.

(22) Filed: **Apr. 8, 2003**

(51) **LOC (7) Cl.** **23-04**

(52) **U.S. Cl.** **D23/366**

(58) **Field of Search** D23/366-369;
392/390, 404, 405, 406; D13/144; 261/DIG. 65;
422/123, 125, 4

DESCRIPTION

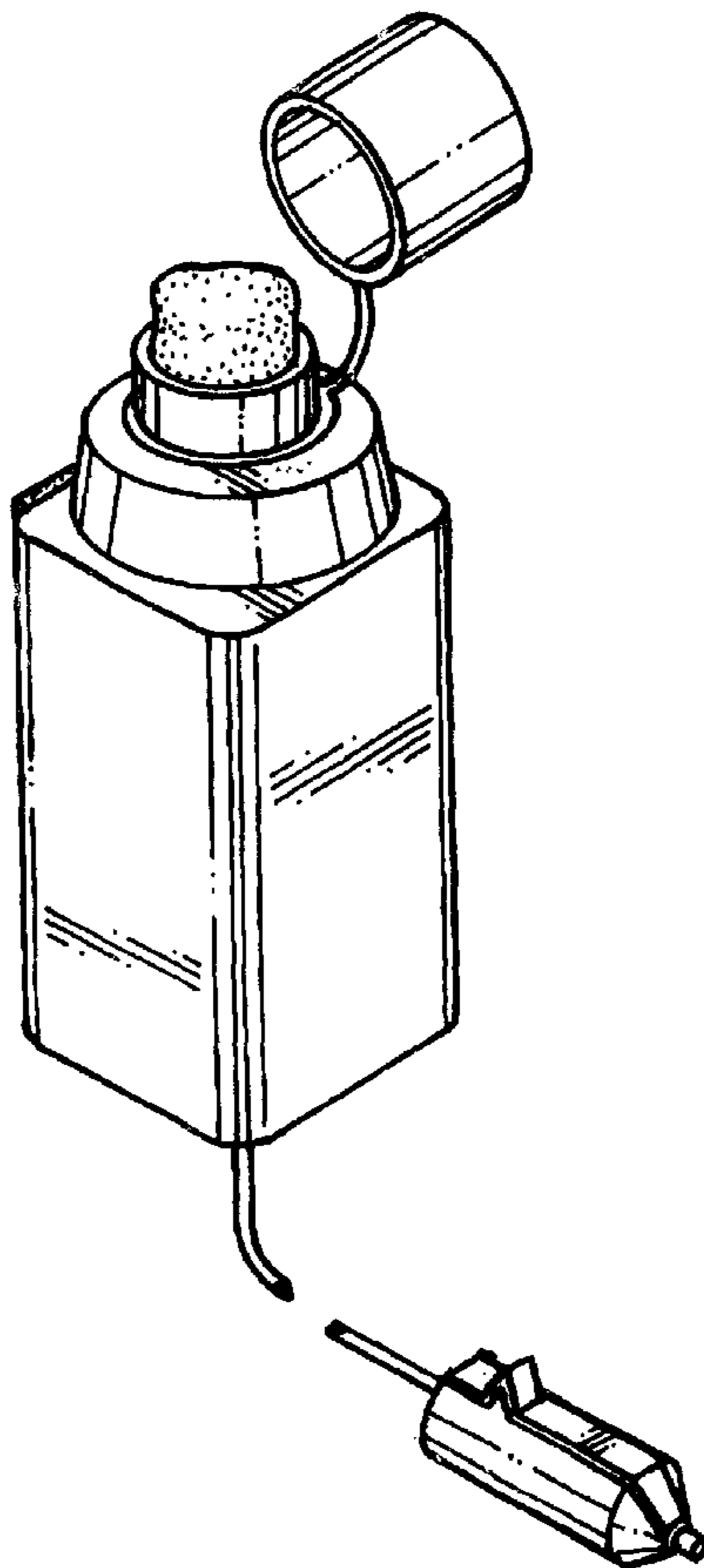
FIG. 1 is an exploded perspective view of a combined electrical vehicle air freshener and cigarette lighter adapter showing our new design;
FIG. 2 is an exploded front elevational view thereof;
FIG. 3 is an exploded rear elevational view thereof;
FIG. 4 is a left side elevational view thereof;
FIG. 5 is a right side elevational view thereof;
FIG. 6 is an exploded top plan view thereof; and,
FIG. 7 is an exploded bottom plan view thereof.
The electrical cord has been shown broken away in FIGS. 1, 2, 3, 6 and 7 to indicate indeterminate length.

(56) **References Cited**

U.S. PATENT DOCUMENTS

3,558,055 A 1/1971 Storchheim
D263,414 S 3/1982 Dolan
4,913,034 A 4/1990 Ripple et al.
4,968,456 A 11/1990 Muderlak et al.
D315,789 S * 3/1991 Muderlak D23/366

1 Claim, 4 Drawing Sheets



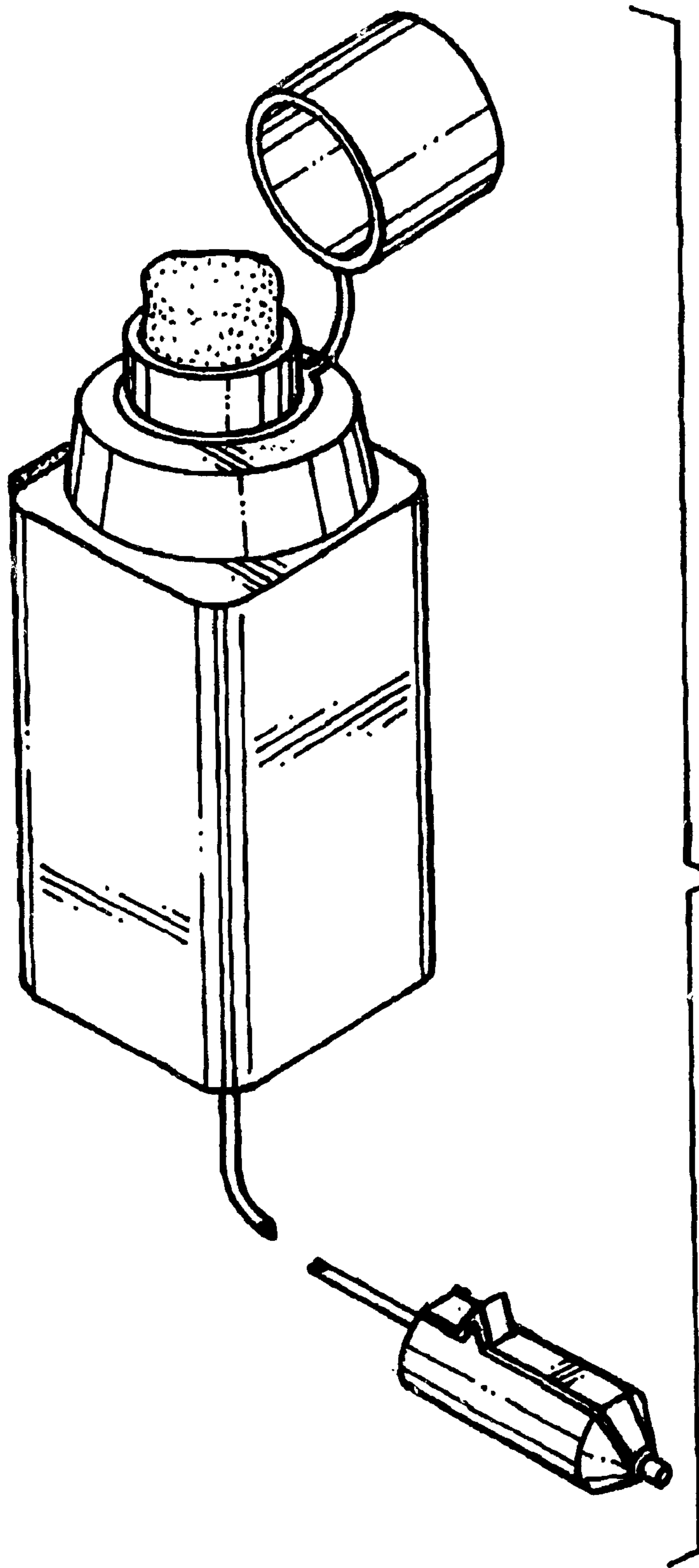


FIG. 1.

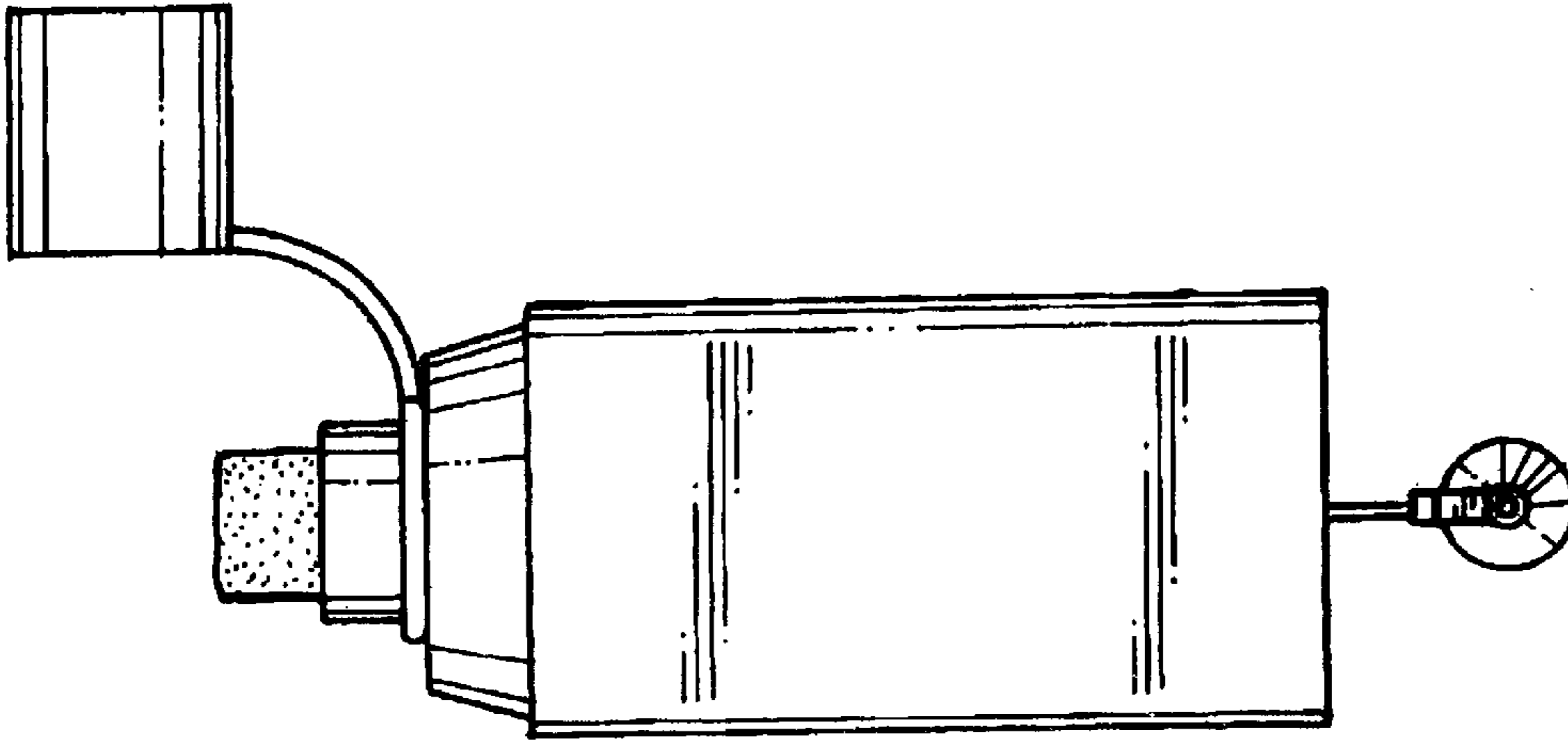


FIG. 4.

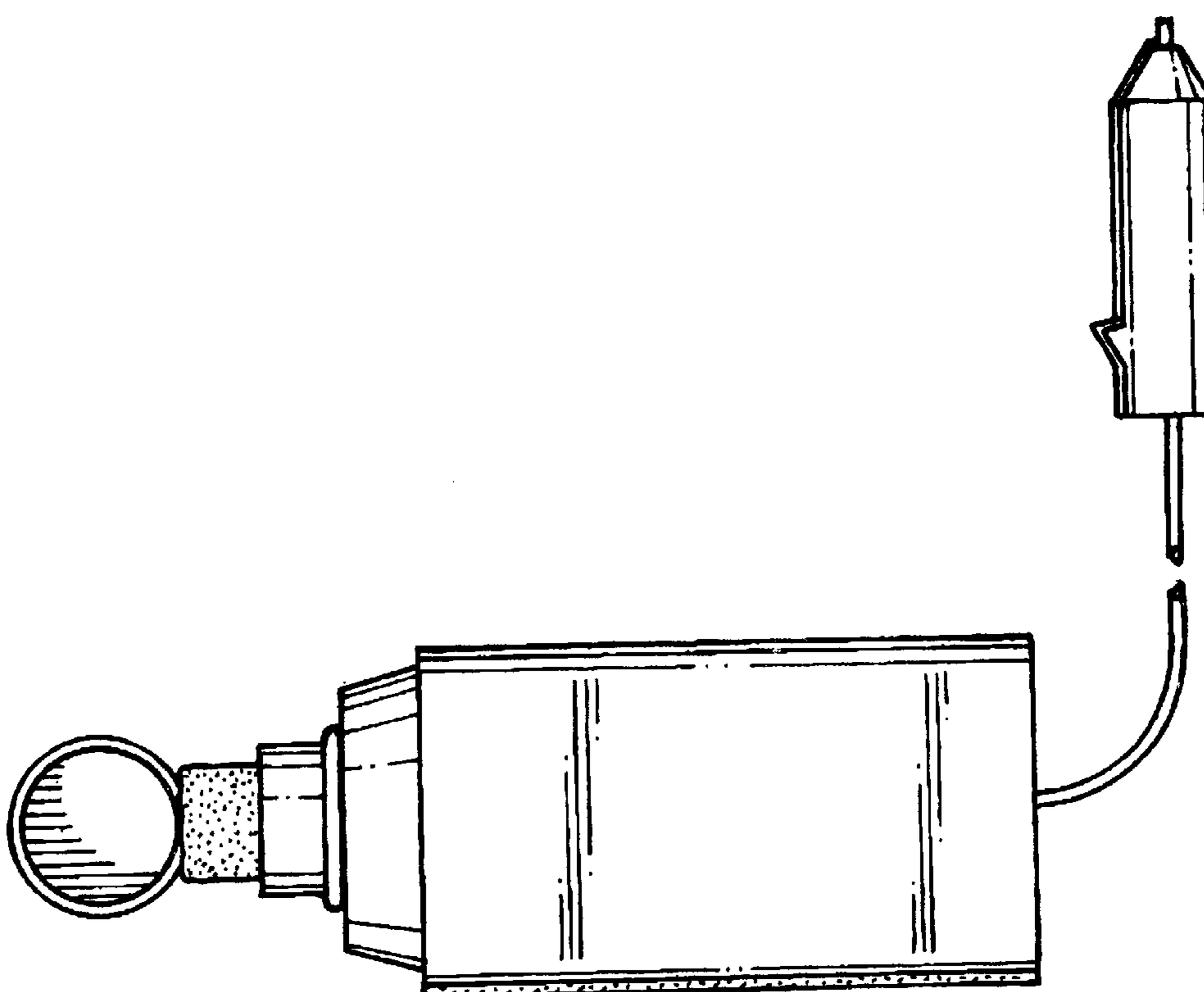


FIG. 2.

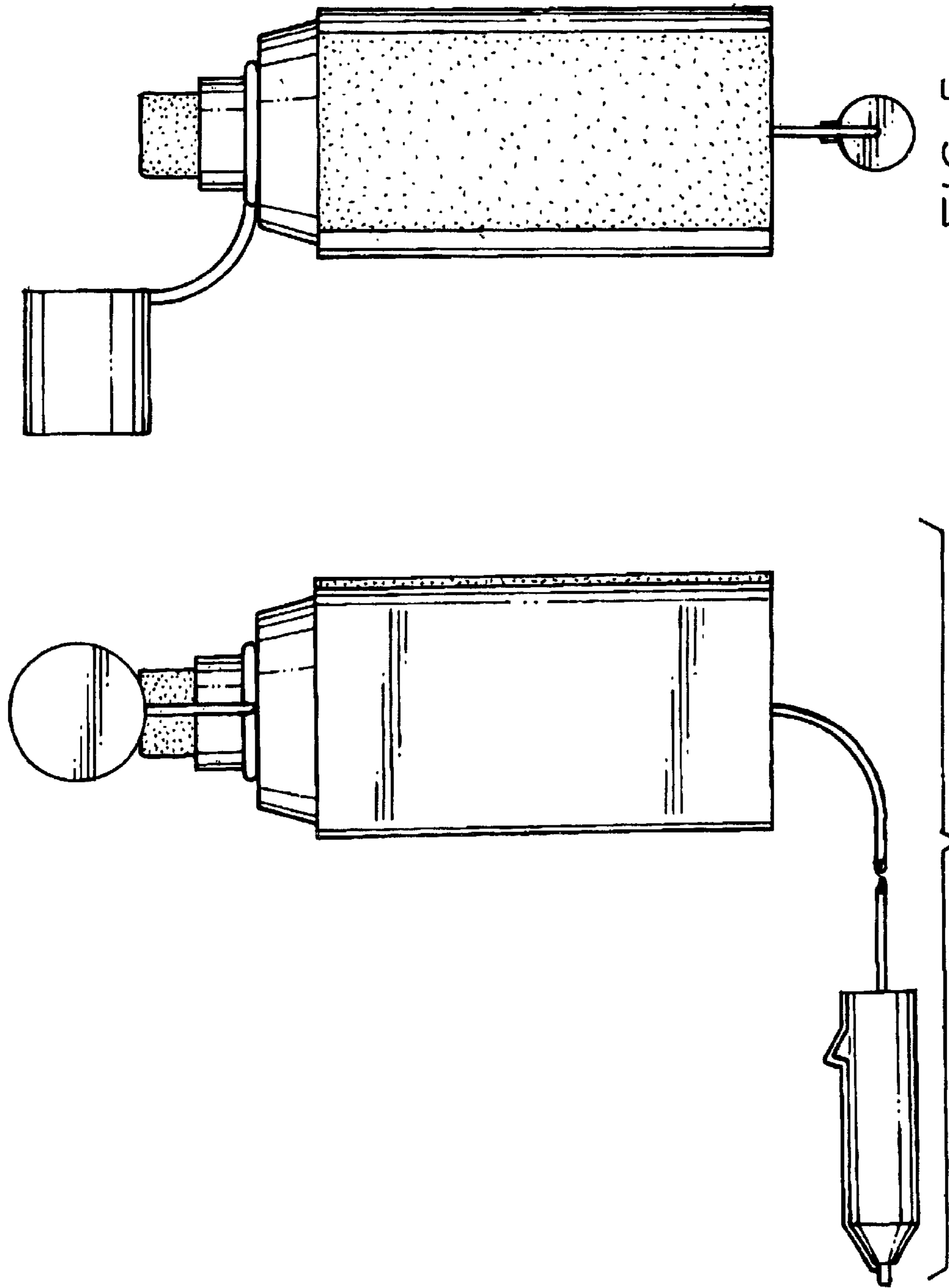


FIG. 5.

FIG. 3.

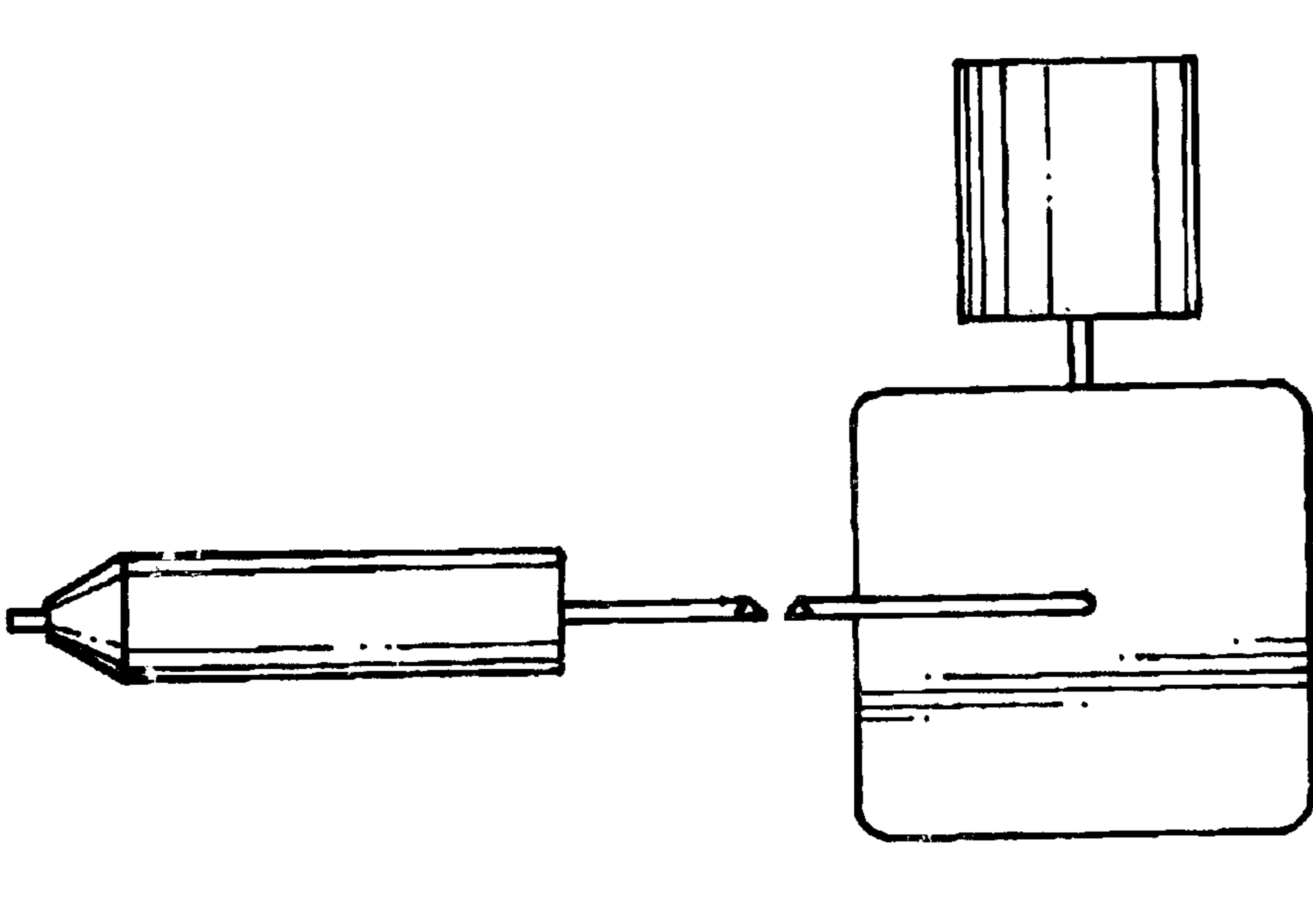


FIG. 7.

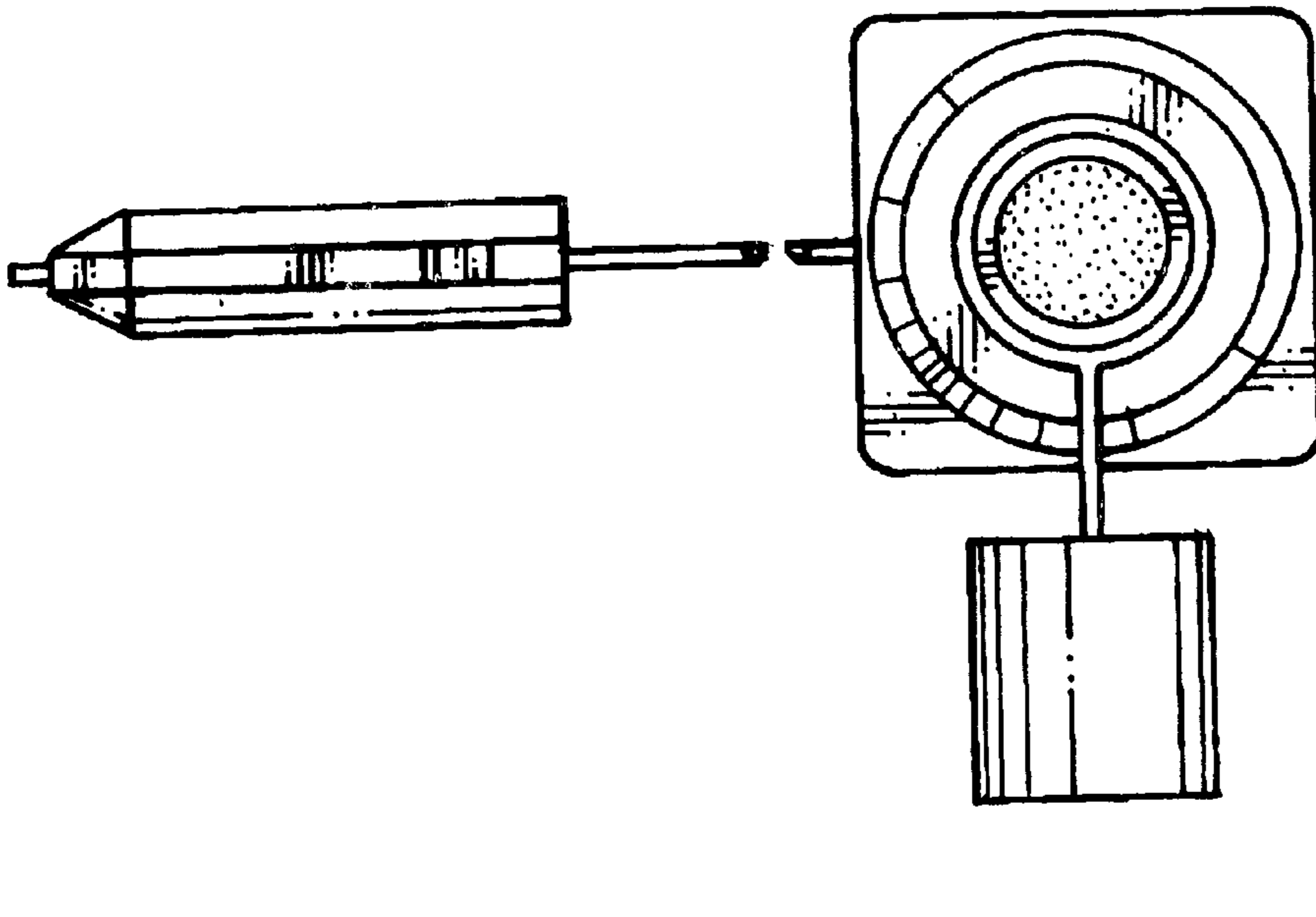


FIG. 6.