



US00D483096S

(12) **United States Design Patent**
Gotoh et al.

(10) **Patent No.:** **US D483,096 S**

(45) **Date of Patent:** **** Dec. 2, 2003**

(54) **PIPE COUPLING SOCKET**

(76) Inventors: **Kunihiko Gotoh**, c/o Nitto Kohki Co., Ltd., 9-4, Nakaikegami 2-chome, Ohta-ku, Tokyo (JP); **Hiroyuki Kitagawa**, c/o Nitto Kohki Co., Ltd., 9-4, Nakaikegami 2-chome, Ohta-ku, Tokyo (JP)

(**) Term: **14 Years**

(21) Appl. No.: **29/172,680**

(22) Filed: **Dec. 17, 2002**

(30) **Foreign Application Priority Data**

Jul. 25, 2002 (JP) 2002-019894

(51) **LOC (7) Cl.** **23-01**

(52) **U.S. Cl.** **D23/262; D23/235**

(58) **Field of Search** D23/259, 260, D23/262, 235, 233; 285/316, 275, 277; 251/149.1, 150

(56) **References Cited**

U.S. PATENT DOCUMENTS

- D167,662 S * 9/1952 Ulrich D23/262
- D267,506 S * 1/1983 Evans D23/262
- D313,067 S 12/1990 Kotake et al.
- D329,495 S 9/1992 Kotake

- D333,179 S 2/1993 Mikiya et al.
- D359,797 S 6/1995 Saito
- 5,855,227 A 1/1999 Stucchi
- D413,967 S * 9/1999 Yuen D23/262
- D434,834 S 12/2000 Goto

OTHER PUBLICATIONS

Copending U.S. Design Application "Pipe Coupling Plug" by Kunihiko Gotoh and Hiroyuki Kitagawa, filed Dec. 17, 2002.

* cited by examiner

Primary Examiner—Robin V. Taylor

(57) **CLAIM**

The ornamental design for a pipe coupling socket, as shown and described.

DESCRIPTION

FIG. 1 is a perspective view taken from the top, front and left side of a pipe coupling socket showing our new design; FIG. 2 is a front elevational view thereof, the rear being a mirror image of the front; FIG. 3 is a top plan view thereof; FIG. 4 is a bottom view thereof; FIG. 5 is a left side elevational view thereof; and, FIG. 6 is a right side elevational view thereof.

1 Claim, 2 Drawing Sheets

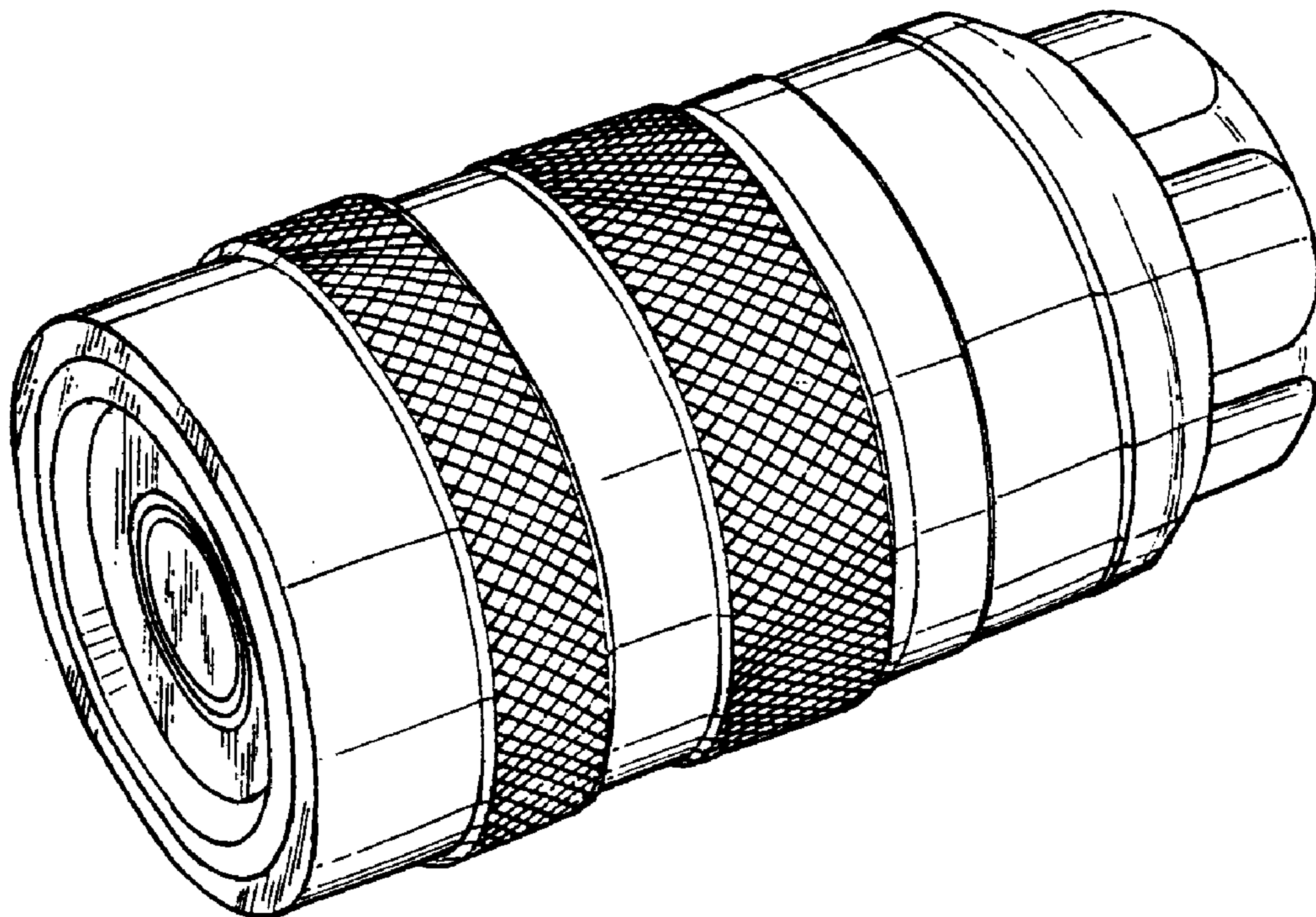


FIG. 1

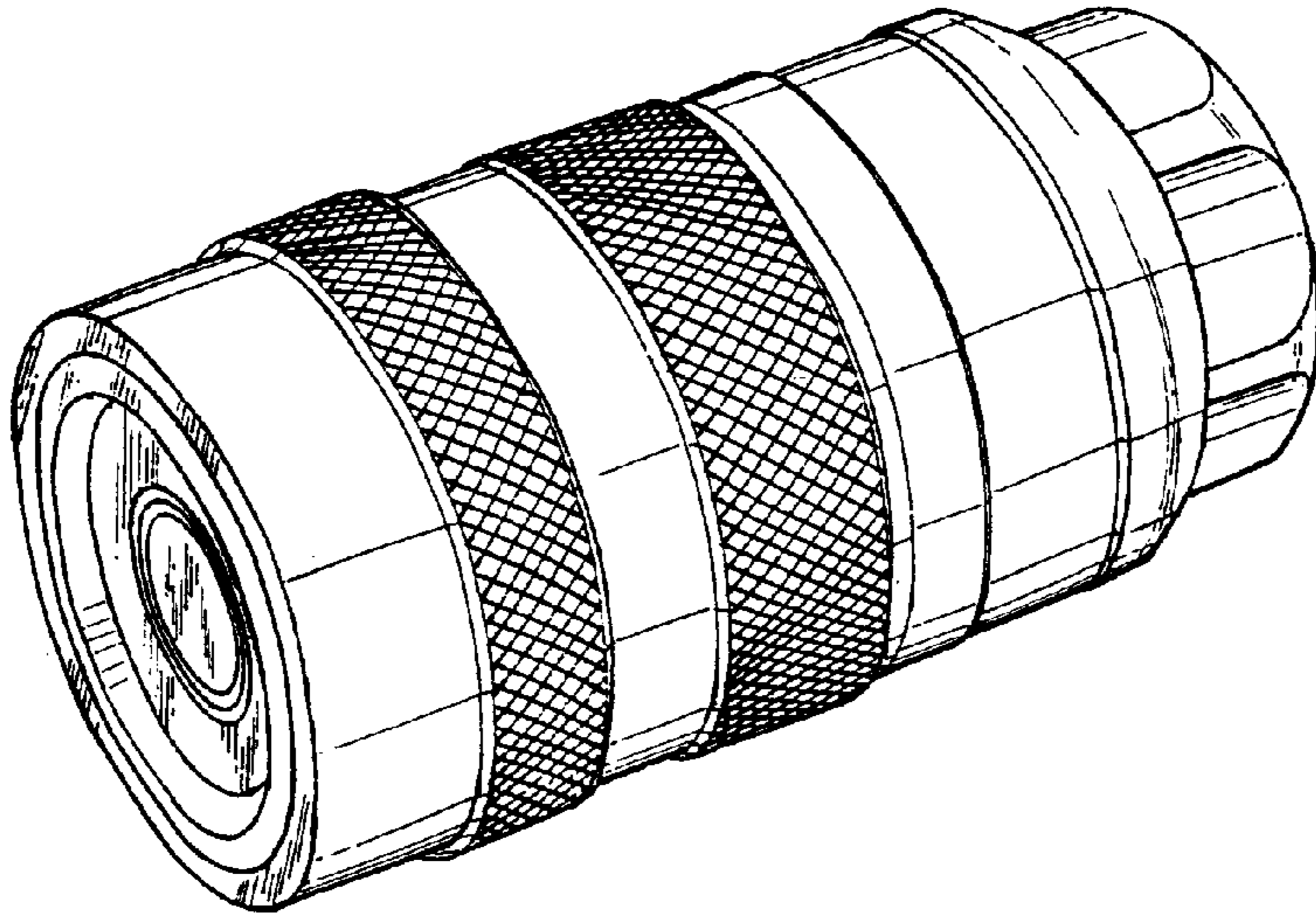


FIG. 2

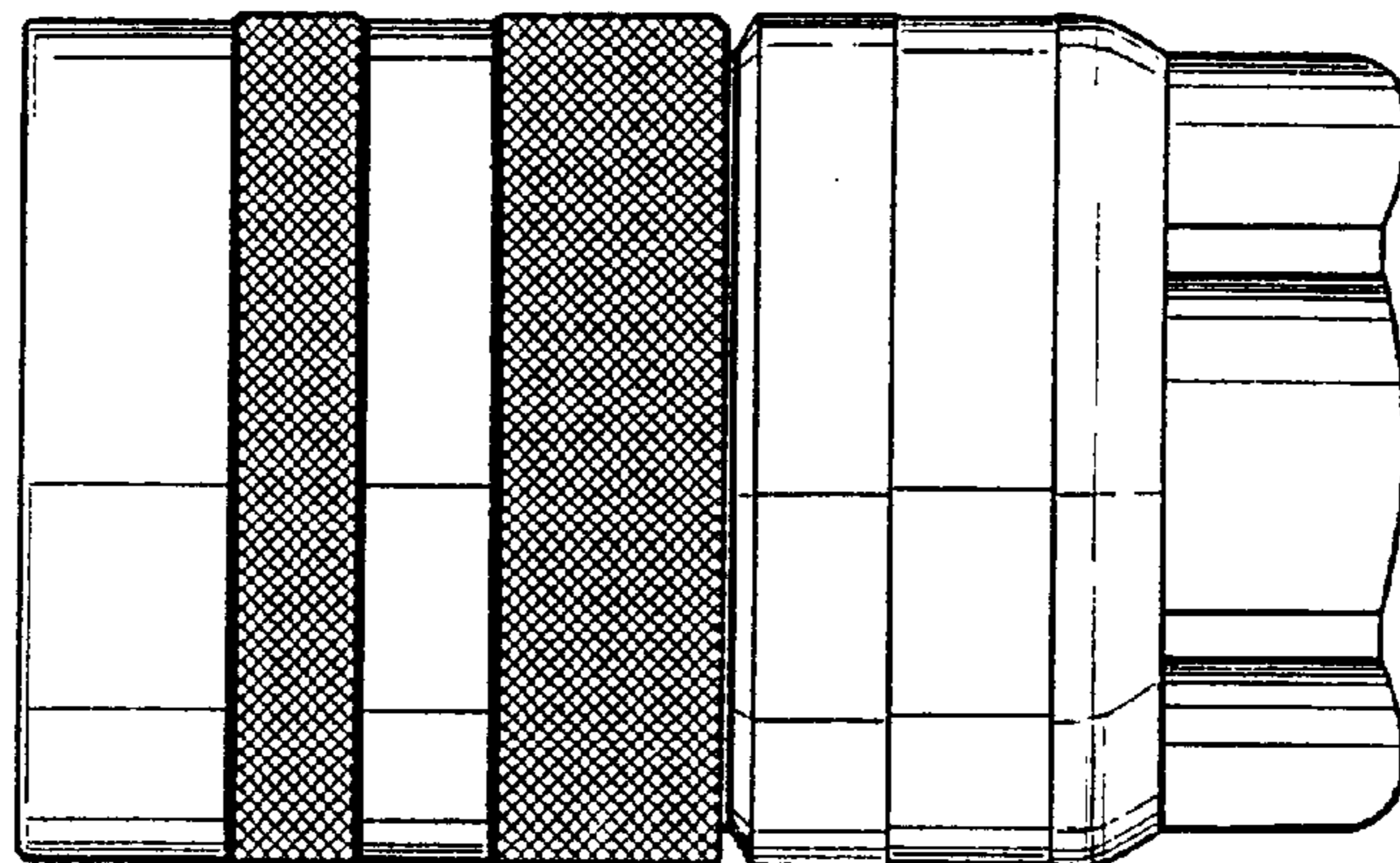


FIG. 3

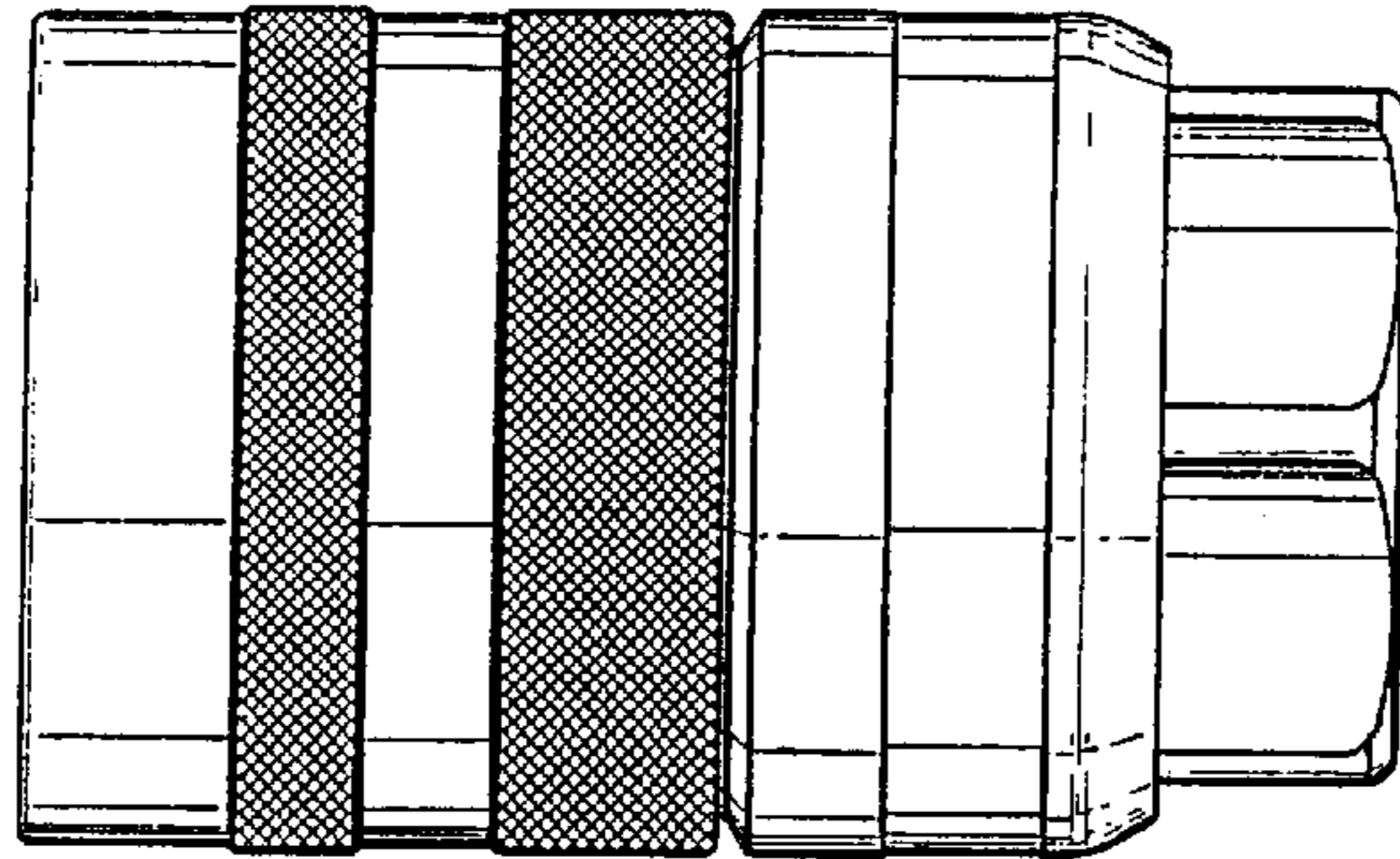


FIG. 4

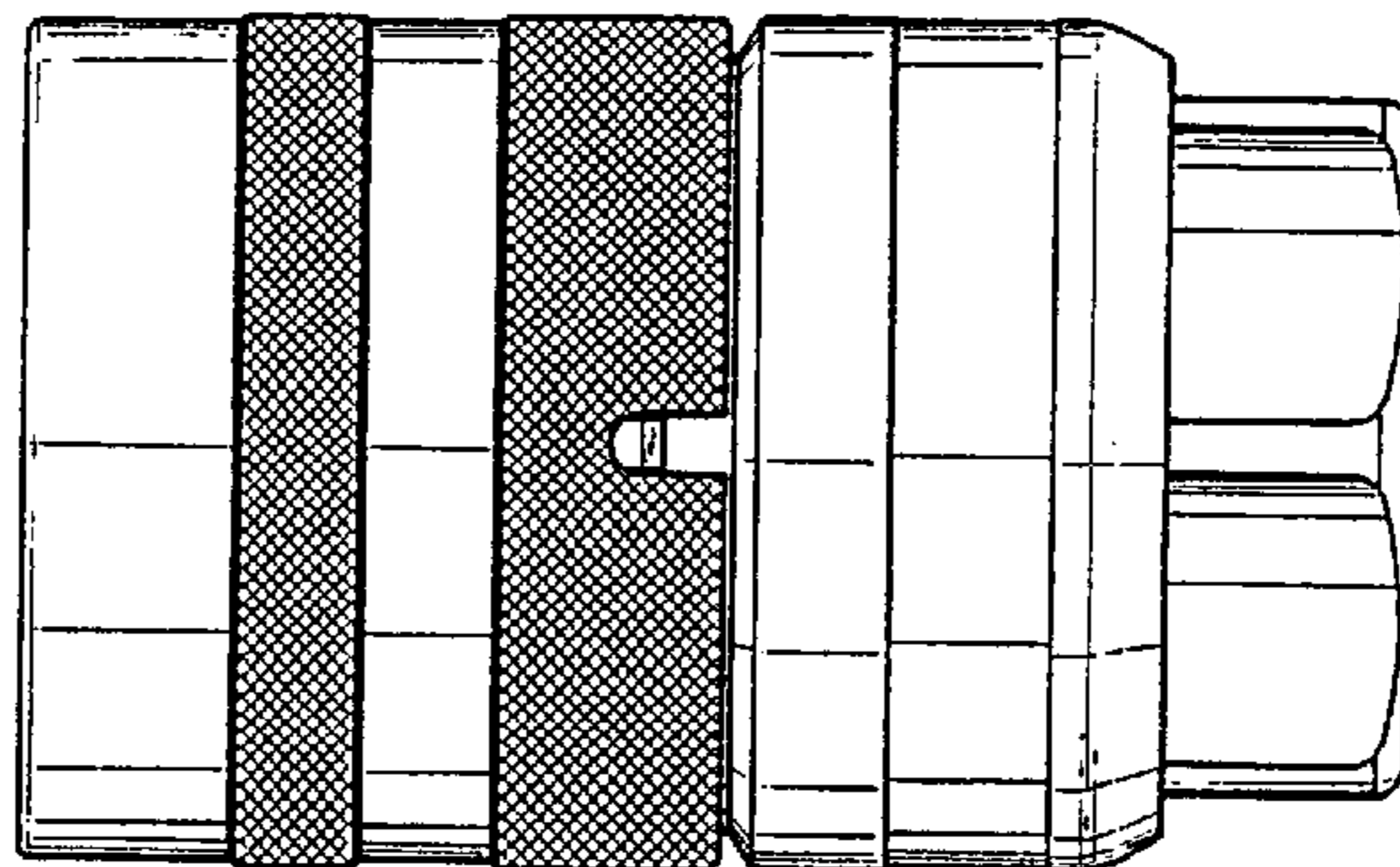


FIG. 5

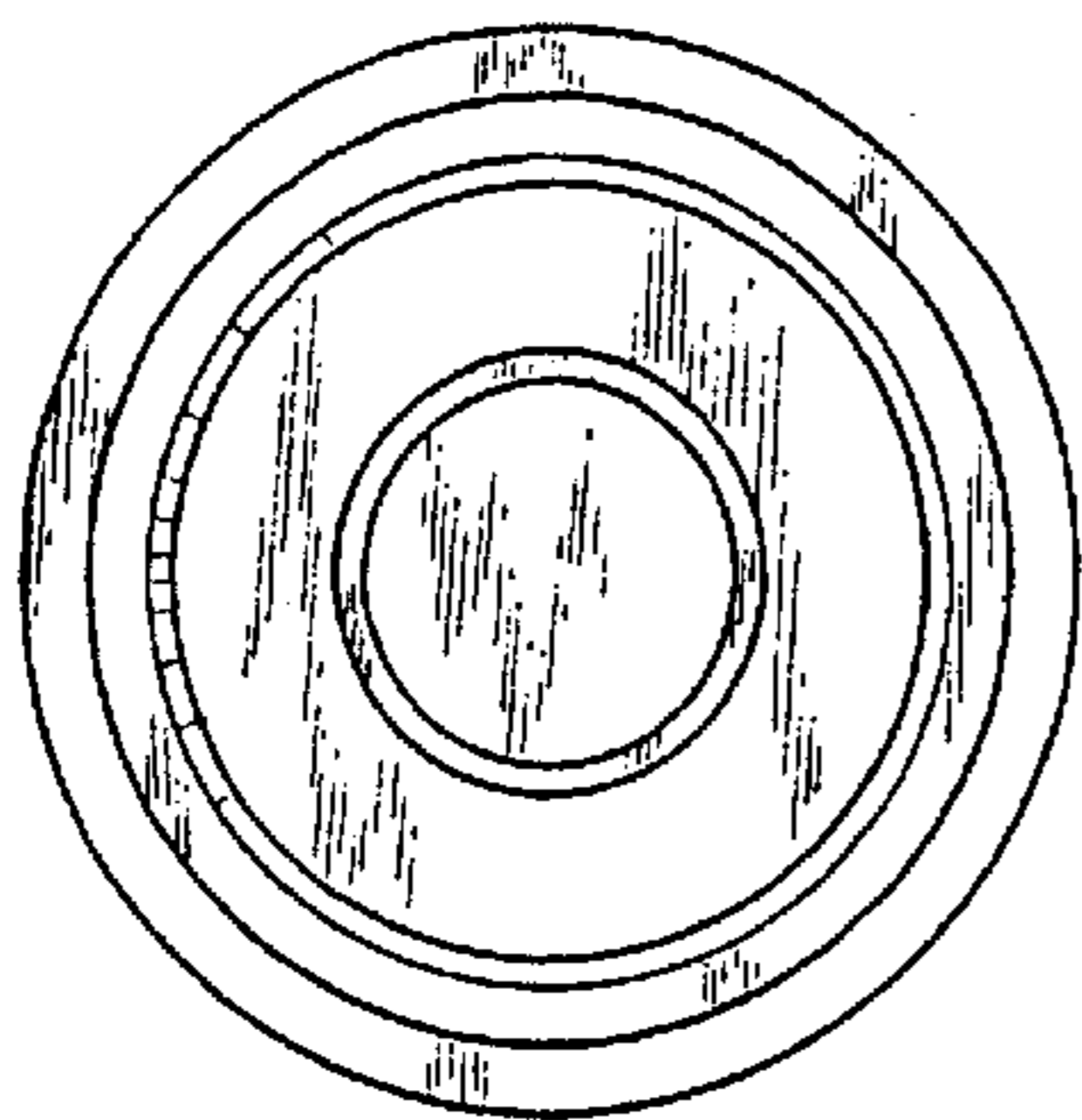


FIG. 6

