



US00D483091S

(12) **United States Design Patent**  
**Griffiths et al.**

(10) **Patent No.:** **US D483,091 S**

(45) **Date of Patent:** **\*\* Dec. 2, 2003**

(54) **SAFETY REEL DEVICE**

(76) Inventors: **John M. Griffiths**, 251 Tompkins Rd.,  
Montgomery, NY (US) 12549; **Darrin**  
**E. Milne**, 245 Westervelt La., Mahwan,  
NJ (US) 07430

(\*\*) Term: **14 Years**

(21) Appl. No.: **29/165,731**

(22) Filed: **Aug. 15, 2002**

(51) **LOC (7) Cl.** ..... **22-05**

(52) **U.S. Cl.** ..... **D22/137**

(58) **Field of Search** ..... D22/134-141;  
242/381, 322, 118.3, 118.4, 118.6, 118.7,  
311, 295; 43/20, 21

(56) **References Cited**

**U.S. PATENT DOCUMENTS**

D212,945 S	*	12/1968	Clickner	.....	D22/137
D324,256 S	*	2/1992	Poe et al.	.....	D22/140
D371,823 S	*	7/1996	Charlton	.....	D22/140
D412,023 S	*	7/1999	Shields	.....	D22/137
D456,874 S	*	5/2002	Park	.....	D22/137

**OTHER PUBLICATIONS**

Ocean Management Systems, Inc., Catalog, 2001, p. 35  
(published after Aug. 16, 2001).  
Ocean Management Systems, Inc., Catalog, 2000, p. 32.

Ocean Management Systems, Inc., Catalog, 1998, p. 28.  
Ocean Management Systems, Inc., Catalog, 1995, p. 27.

\* cited by examiner

*Primary Examiner*—Catherine R. Oliver

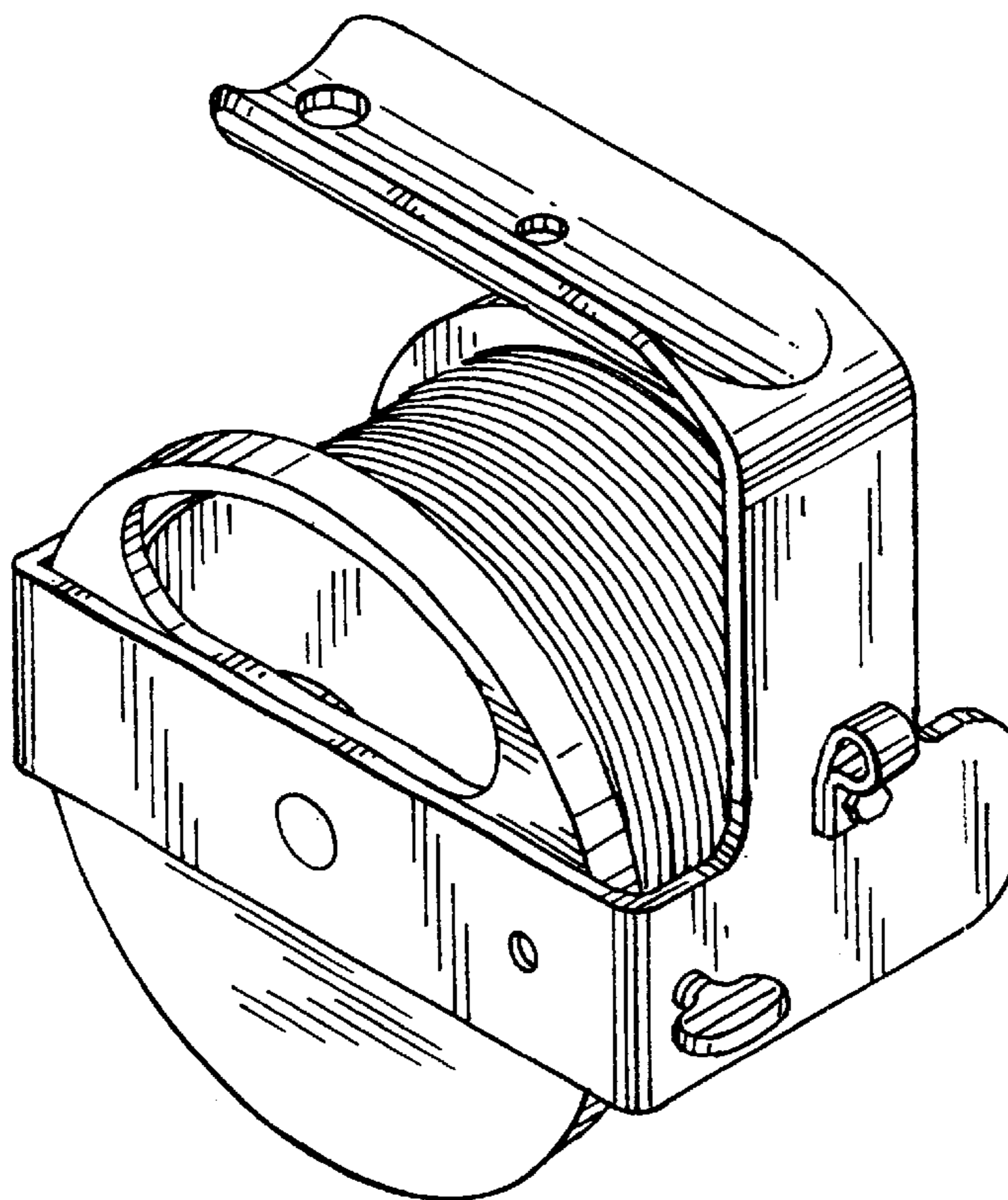
(57) **CLAIM**

The ornamental design for a safety reel device, as shown and described.

**DESCRIPTION**

FIG. 1 is a perspective view of a safety reel device, showing our new design;  
FIG. 2 is a top view thereof;  
FIG. 3 is a side view thereof;  
FIG. 4 is a front view thereof;  
FIG. 5 is a rear view thereof;  
FIG. 6 is another side view thereof;  
FIG. 7 is a bottom view thereof;  
FIG. 8 is an alternate embodiment of FIG. 1, the only difference being that this embodiment shows the safety reel device without string; and,  
FIG. 9 is an alternate embodiment of FIG. 1, the only difference being that this embodiment shows the safety reel device with a clip.

**1 Claim, 6 Drawing Sheets**



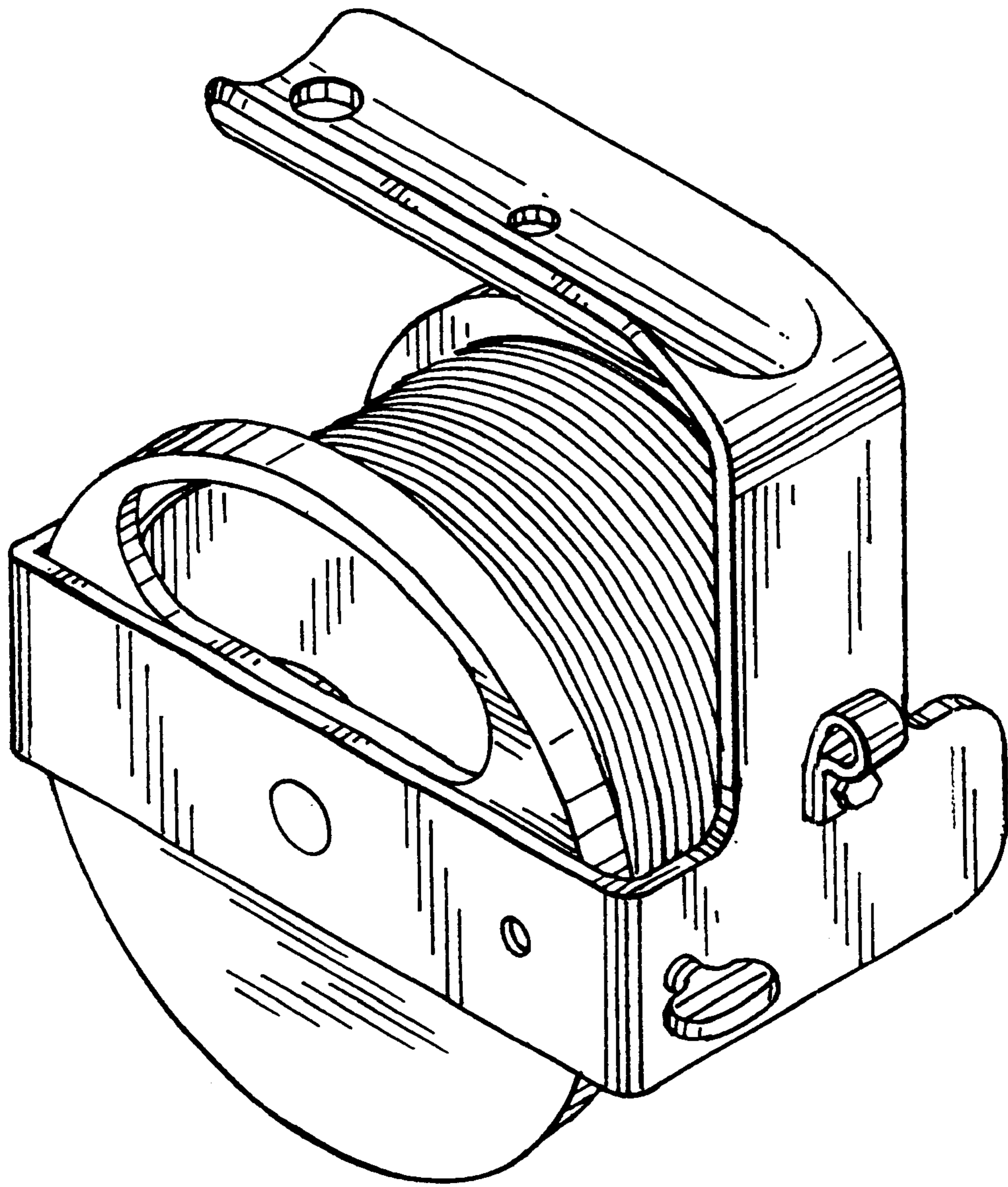


FIG.1

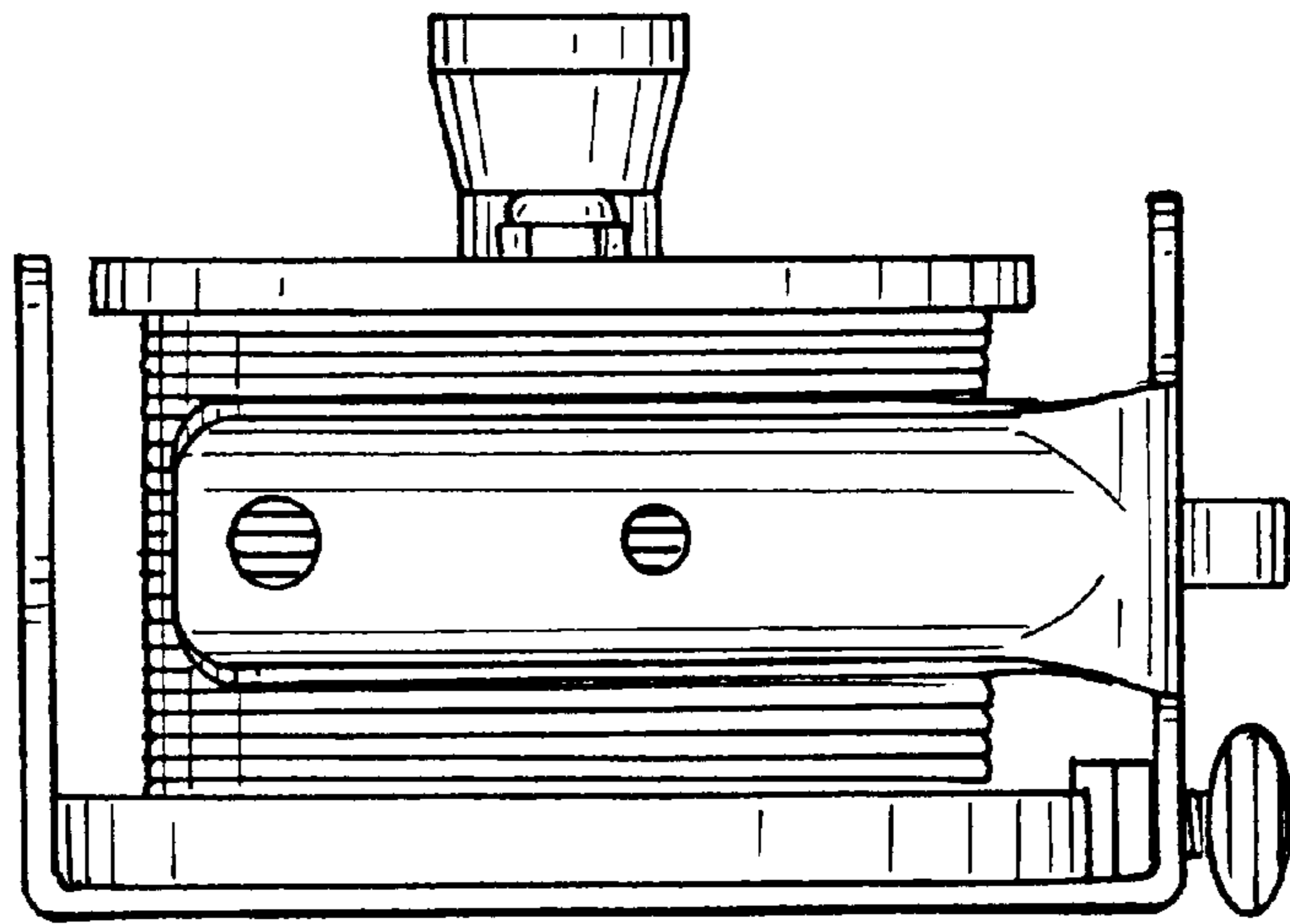


FIG. 2

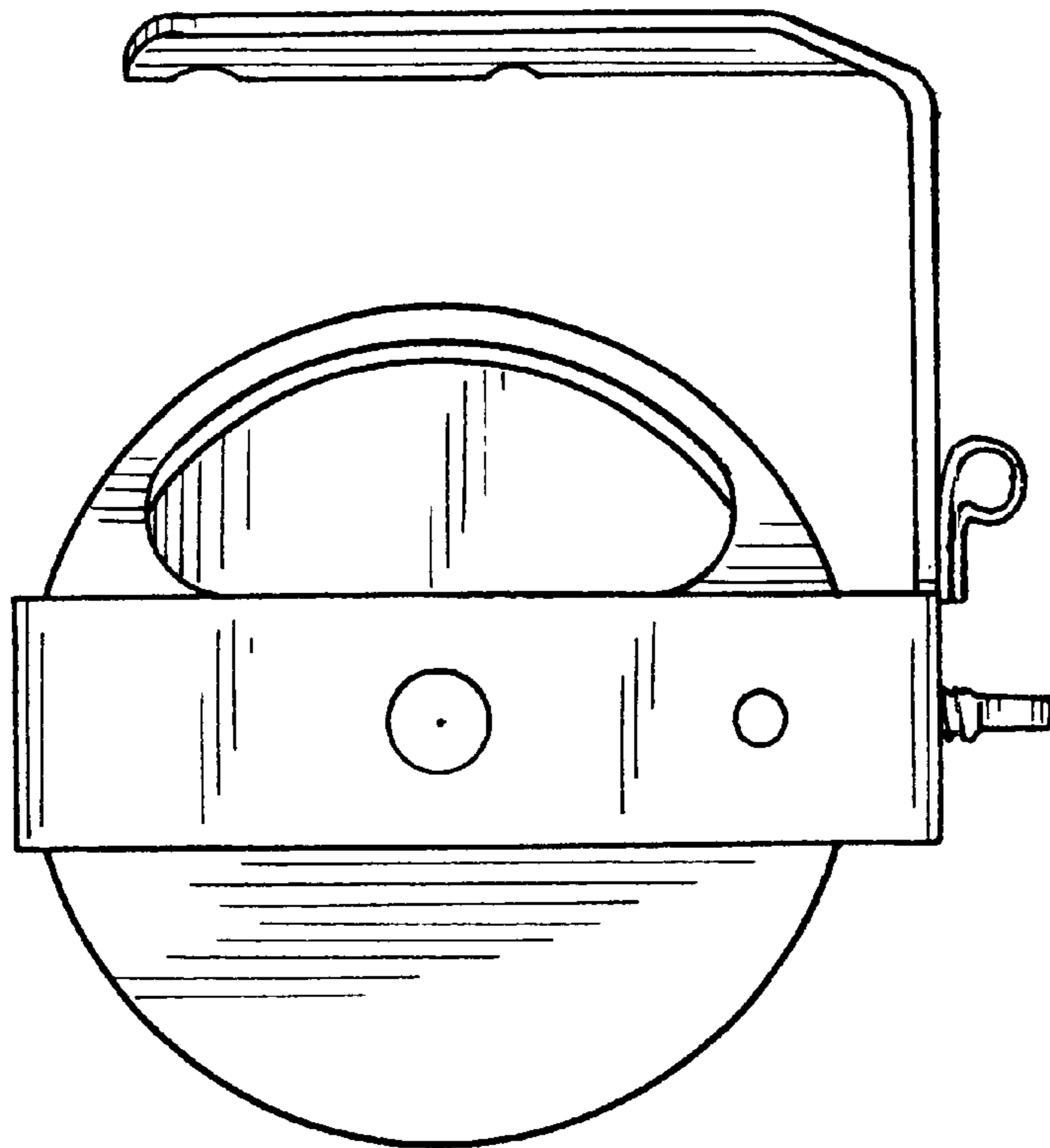


FIG. 3

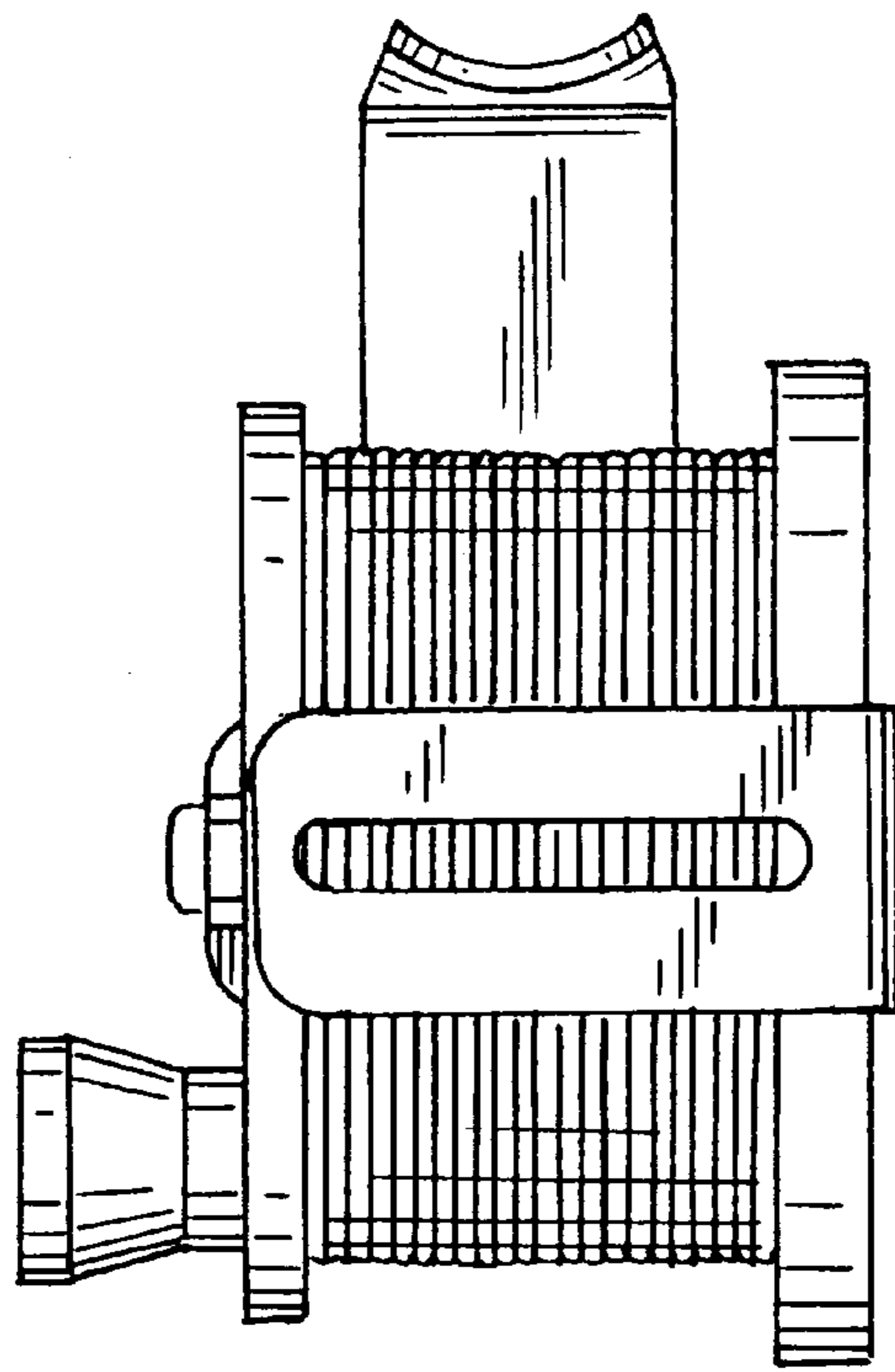


FIG. 4

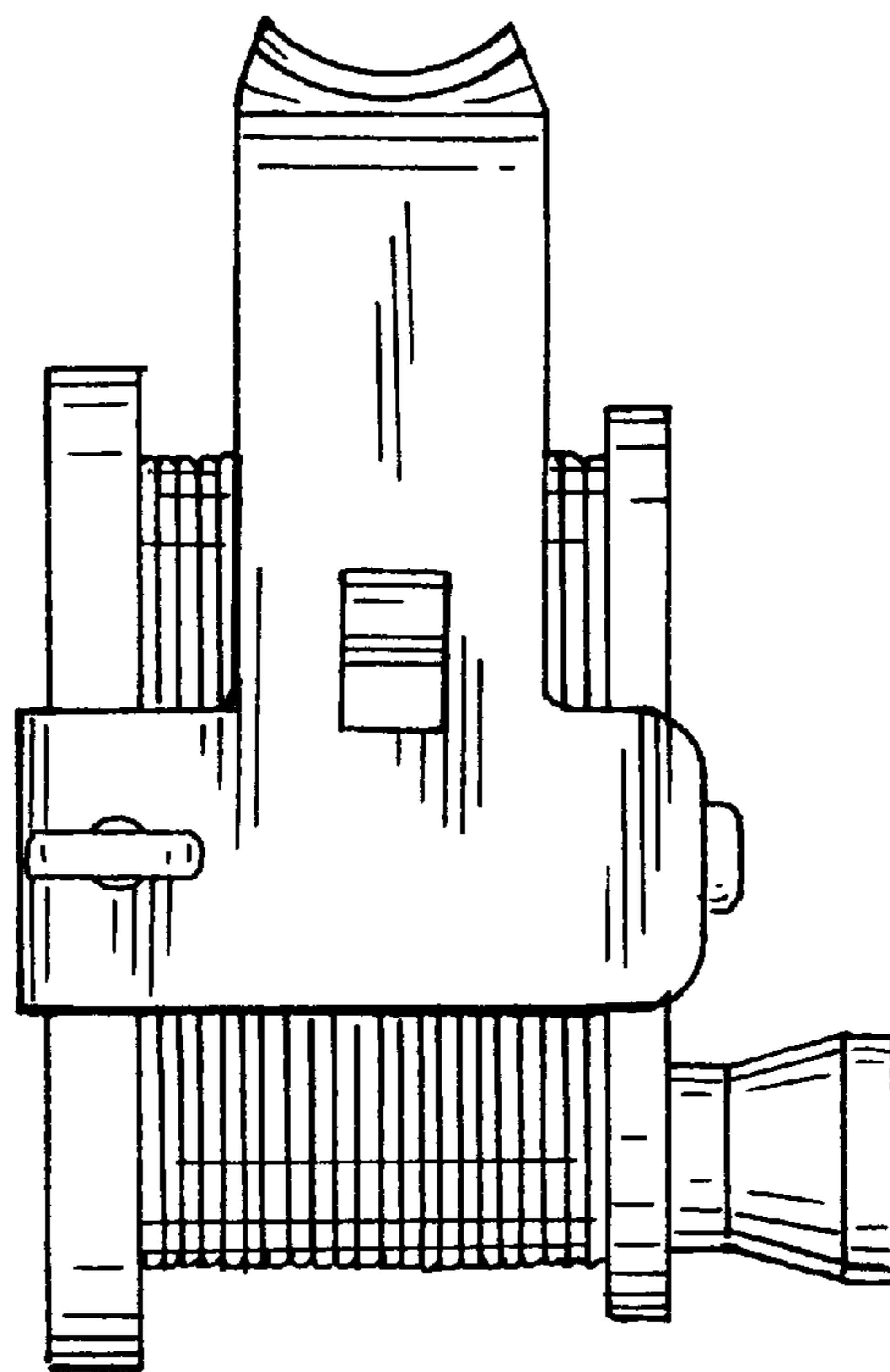


FIG. 5

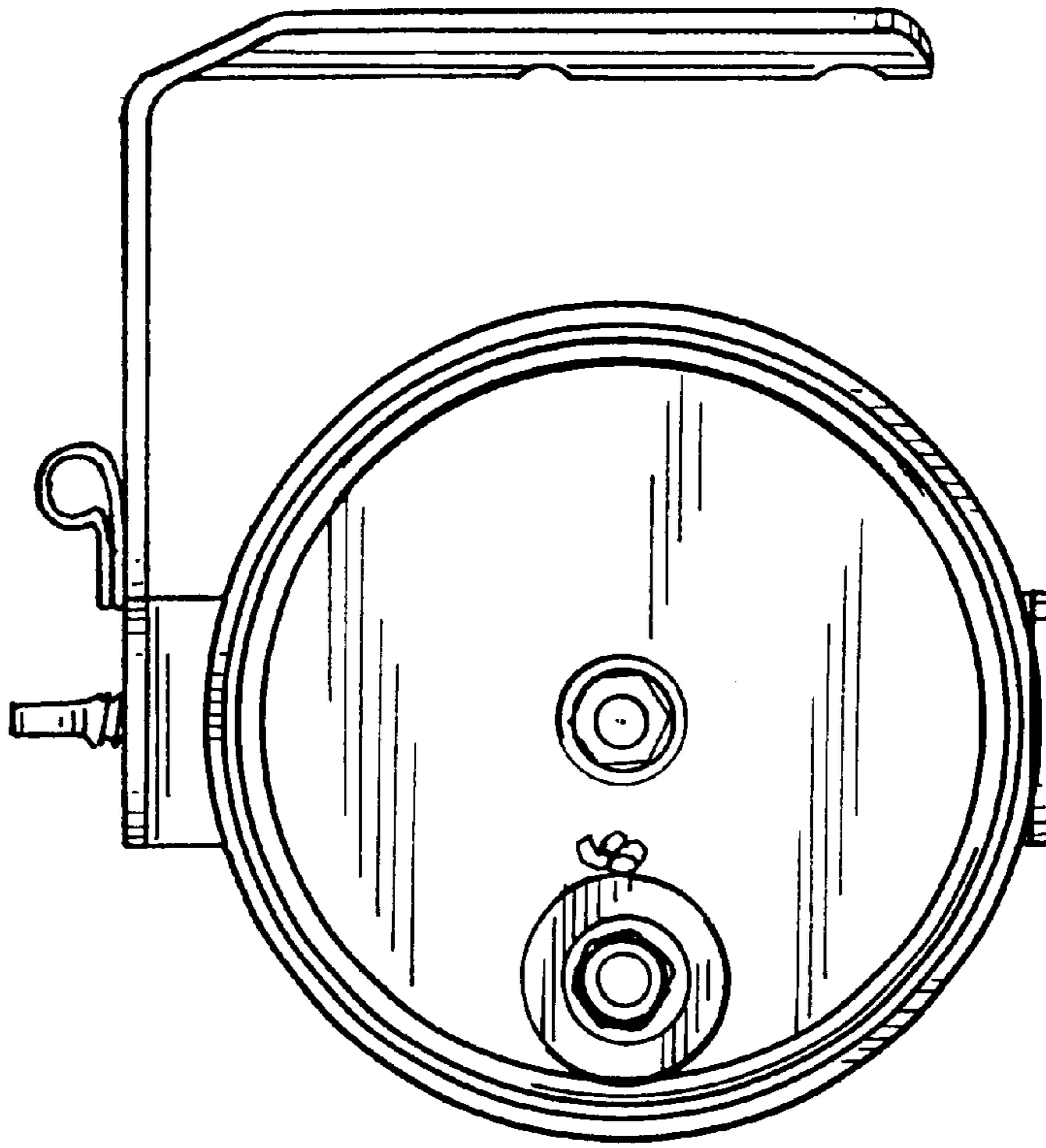


FIG. 6

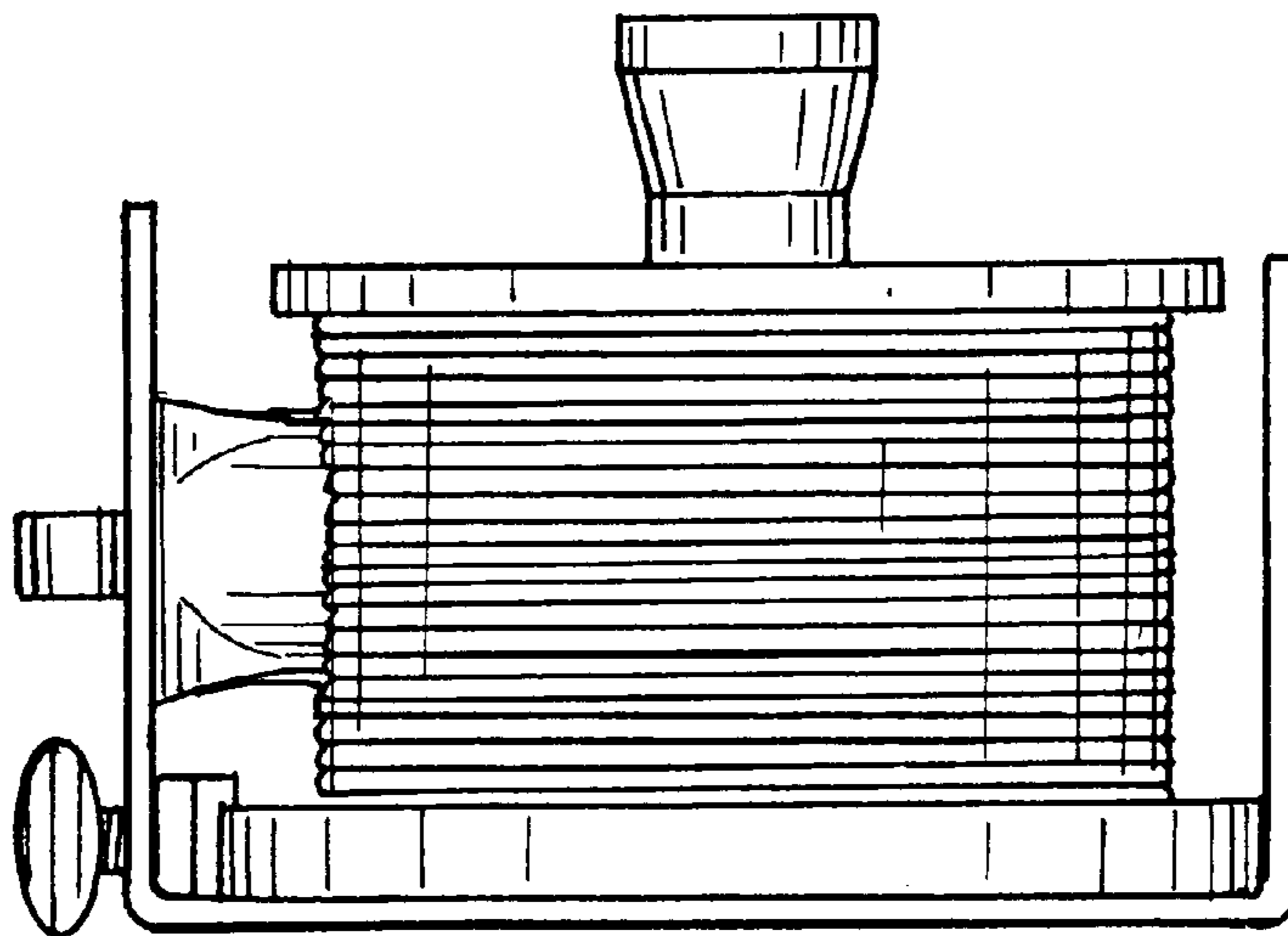


FIG. 7

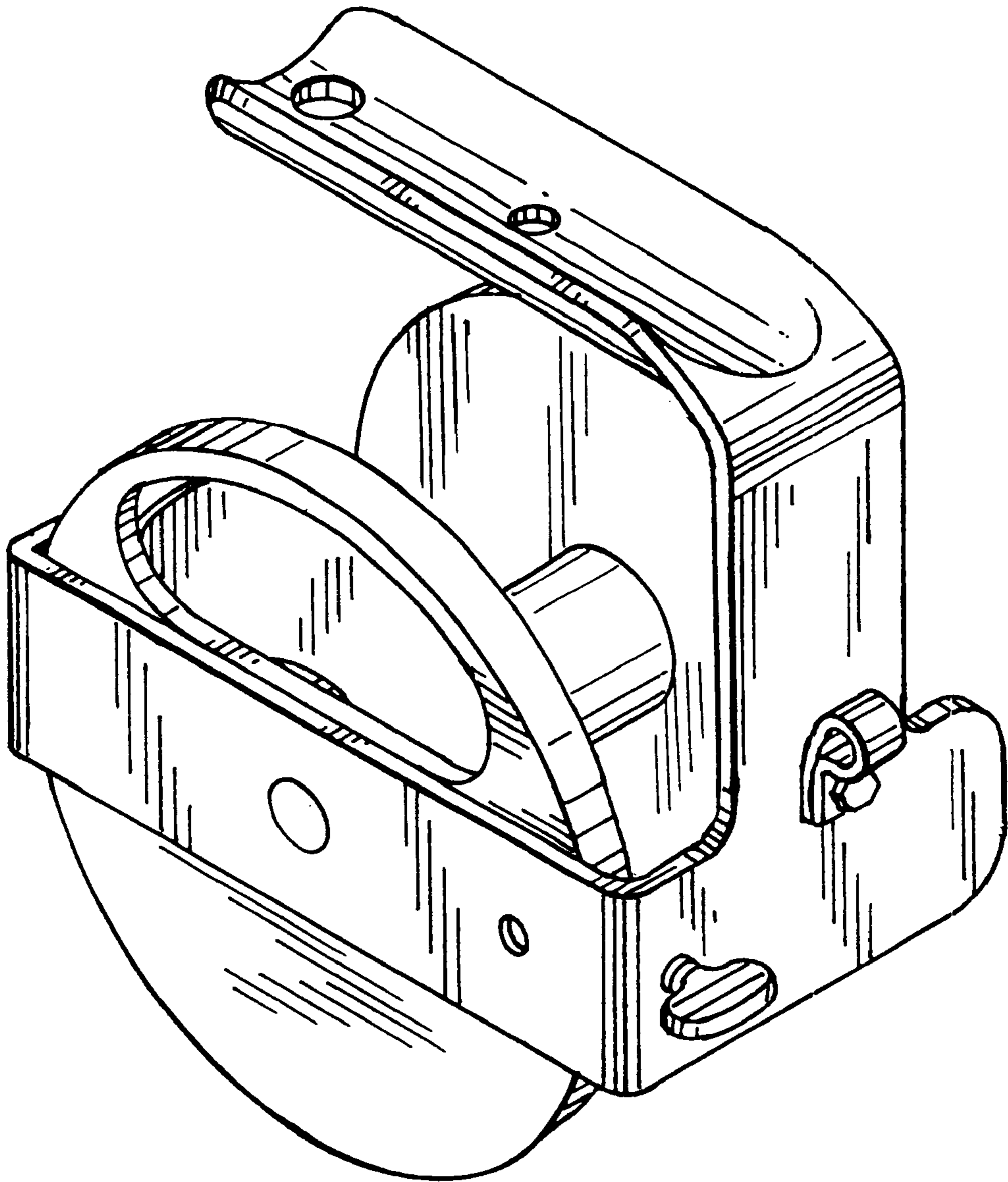


FIG.8

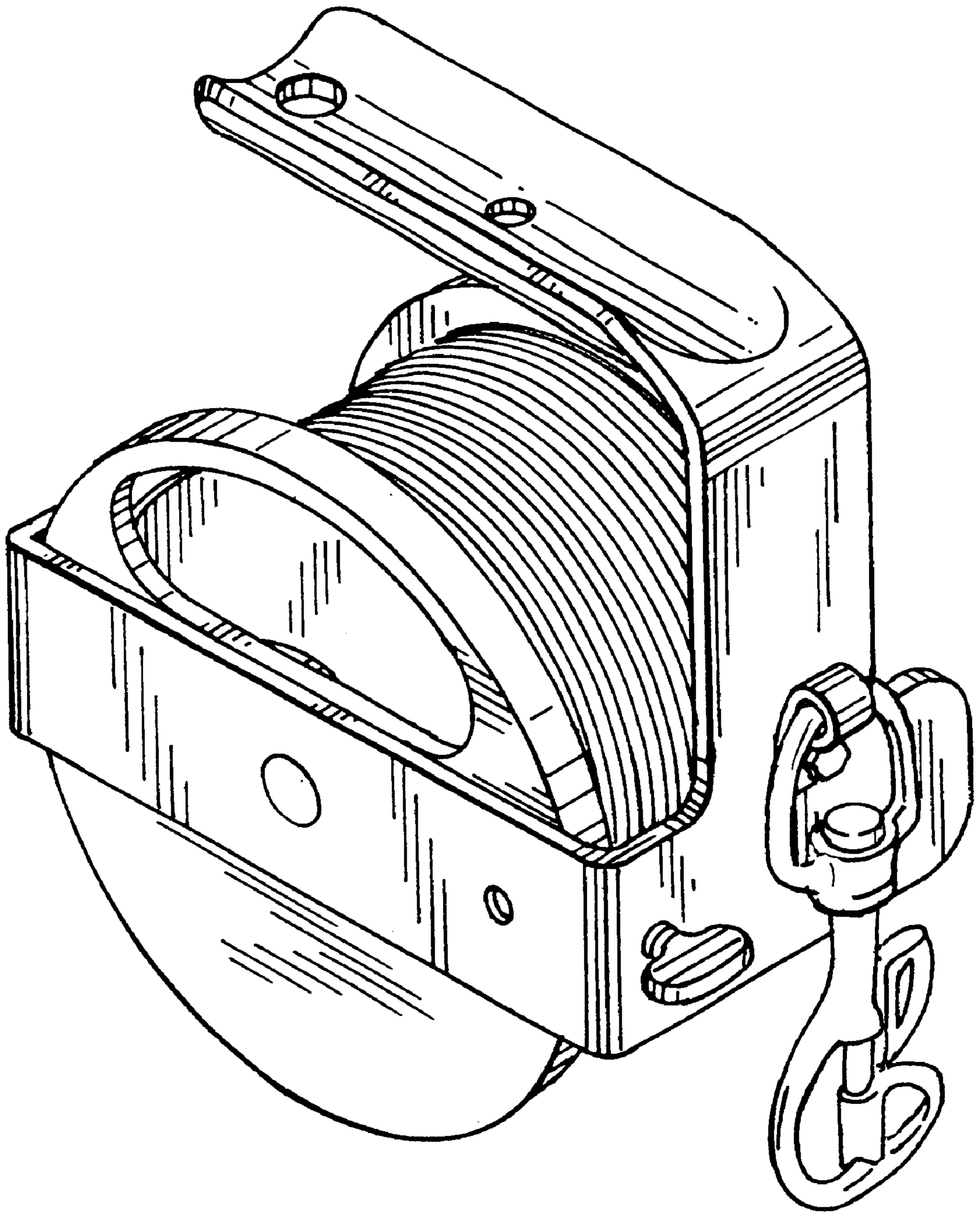


FIG. 9