



US00D483085S

(12) **United States Design Patent**
Mathews, Jr.

(10) **Patent No.:** **US D483,085 S**

(45) **Date of Patent:** **** Dec. 2, 2003**

(54) **GLASS GOLF PUTTER**

(76) Inventor: **Raymond D. Mathews, Jr.**, 59 N.
Harbor St., Branford, CT (US) 06405

(**) Term: **14 Years**

(21) Appl. No.: **29/171,586**

(22) Filed: **Nov. 22, 2002**

(51) **LOC (7) Cl.** **21-02**

(52) **U.S. Cl.** **D21/735**

(58) **Field of Search** **D21/735-746;**
473/324, 327-331, 340, 341, 251-256

(56) **References Cited**

U.S. PATENT DOCUMENTS

D213,120	S	*	1/1969	Mader	D21/735
4,330,128	A	*	5/1982	Morelli	473/307
D317,193	S	*	5/1991	Florian	D21/735
D432,872	S	*	10/2000	Moore	D21/735 X

* cited by examiner

Primary Examiner—Mitchell Siegel

(74) *Attorney, Agent, or Firm*—Melvin I. Stoltz

(57) **CLAIM**

The ornamental design for a glass golf putter, as shown and described.

DESCRIPTION

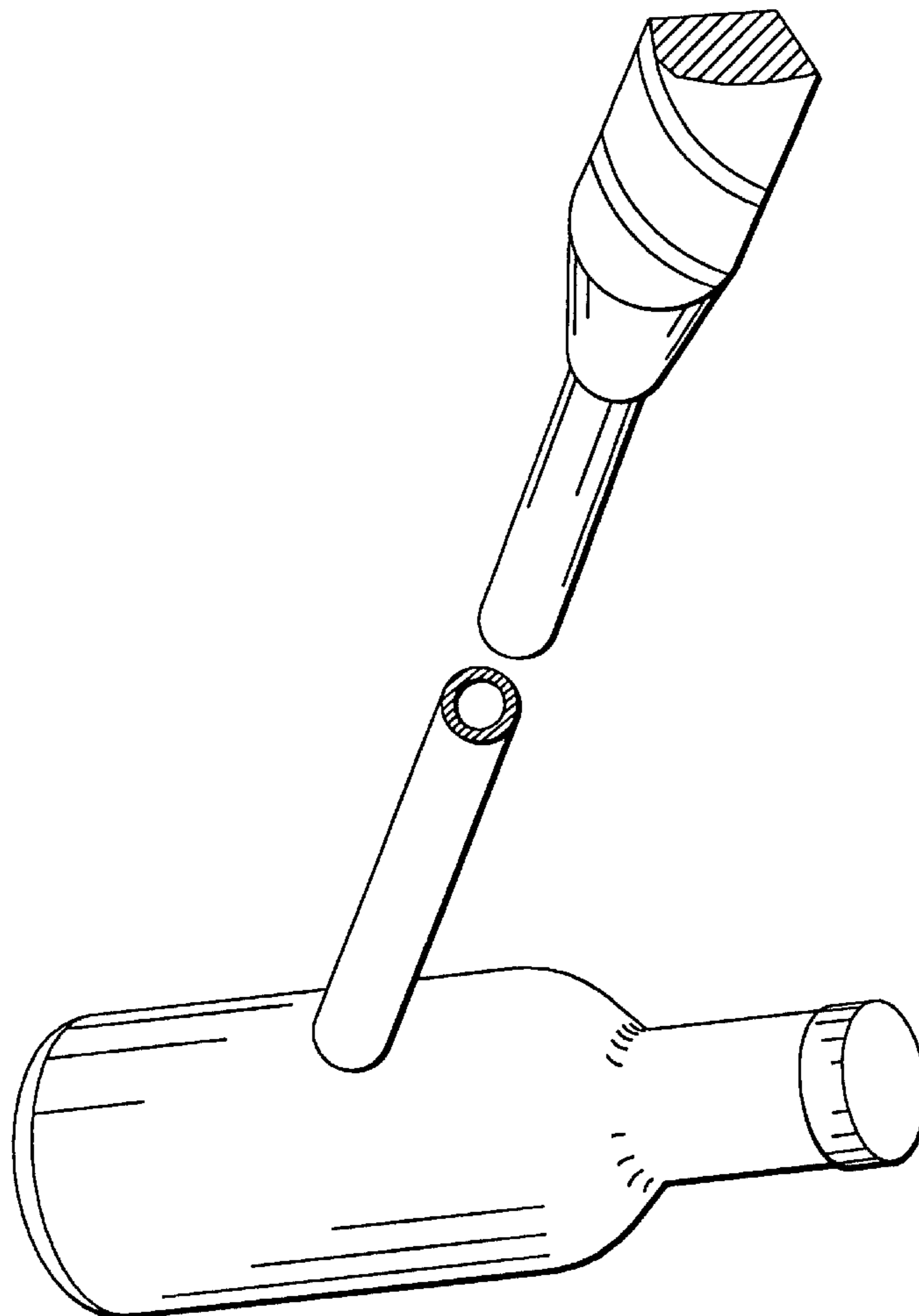
FIG. 1 is a top perspective view of the glass golf putter showing my new design, with the shaft broken away to an indeterminate length;

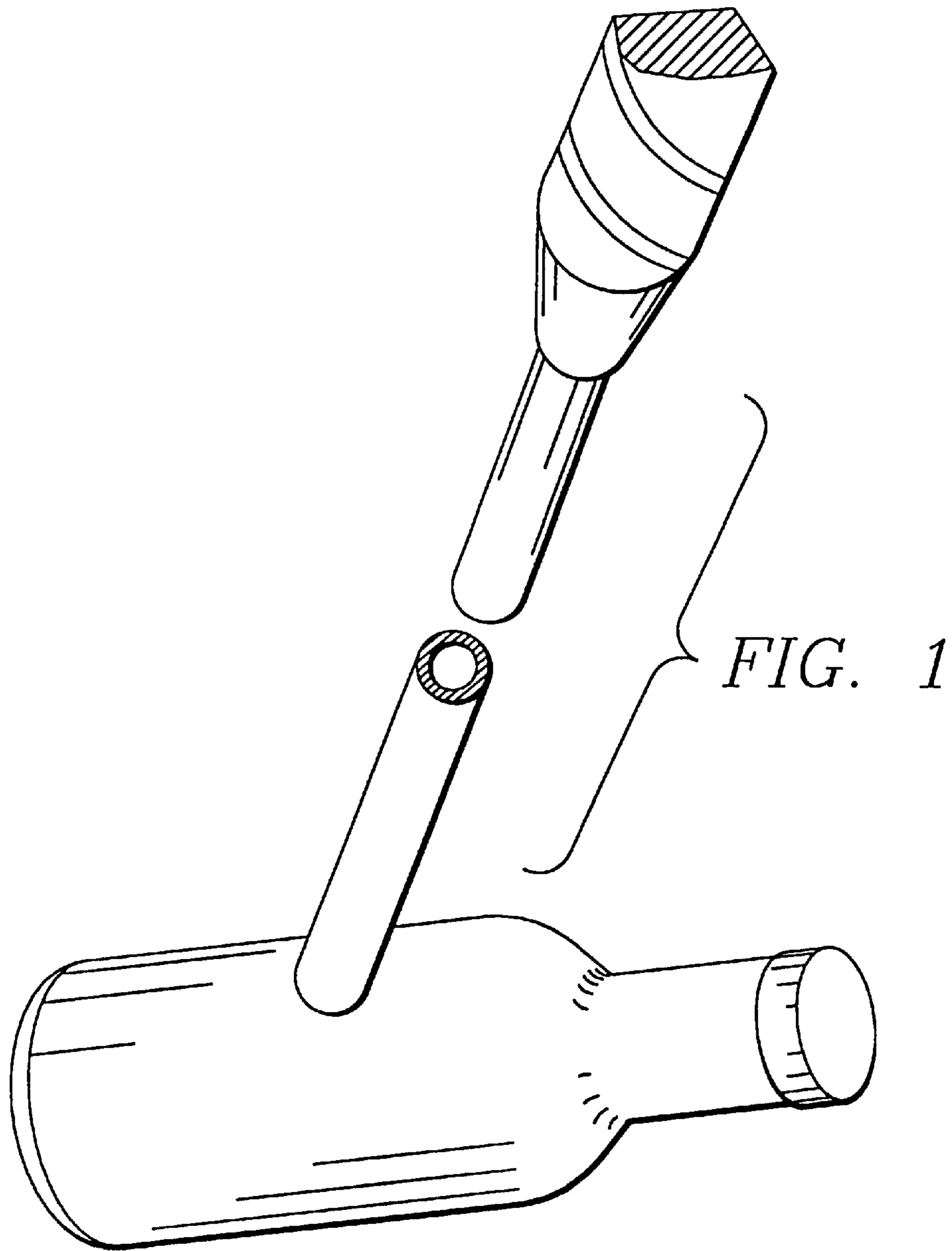
FIG. 2 is a front elevational view thereof;

FIG. 3 is a side elevational view thereof, looking from the right side of FIG. 2, the opposed side being a mirror image thereof; and,

FIG. 4 is a rear elevational view thereof.

1 Claim, 2 Drawing Sheets





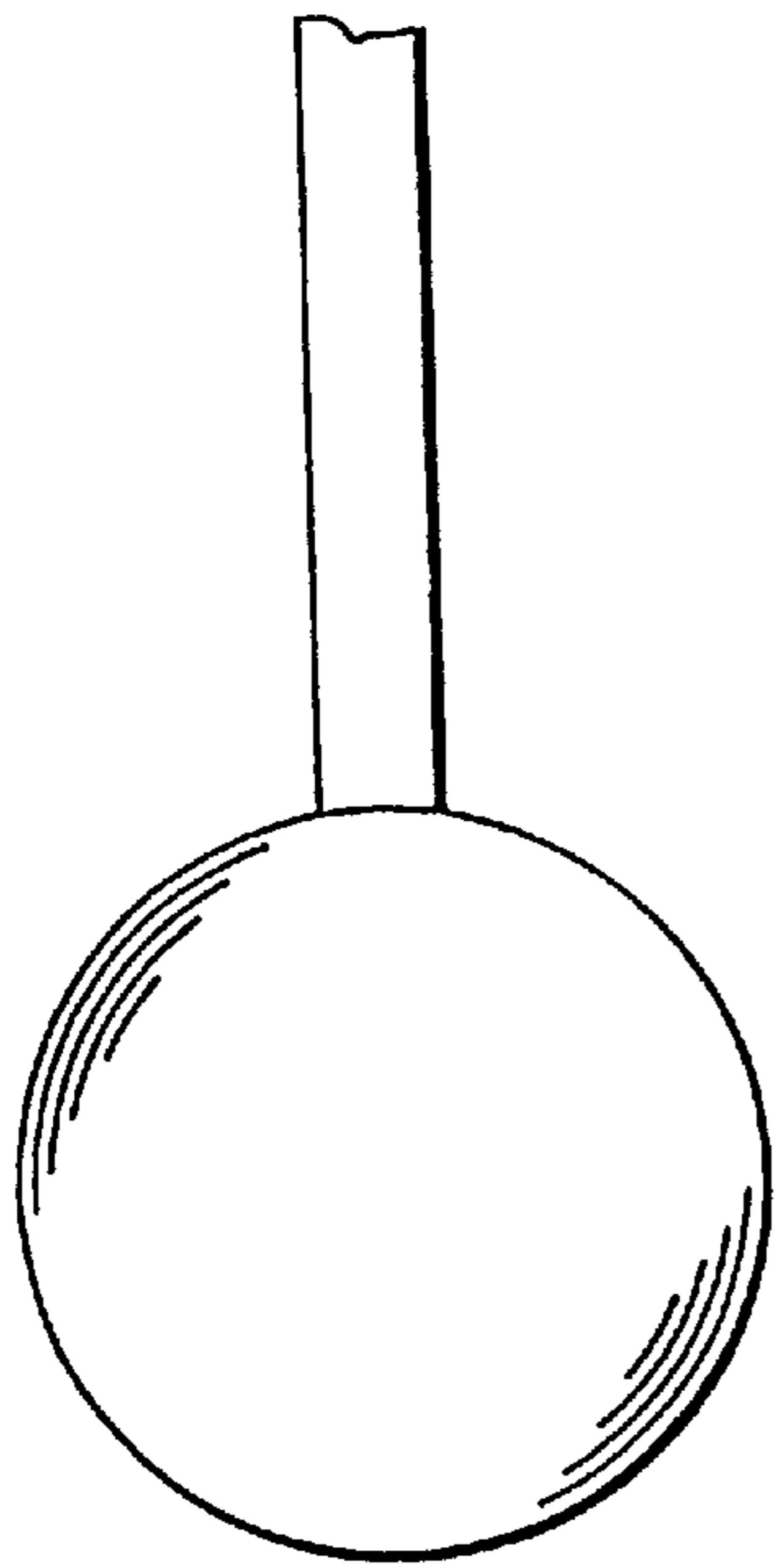


FIG. 2

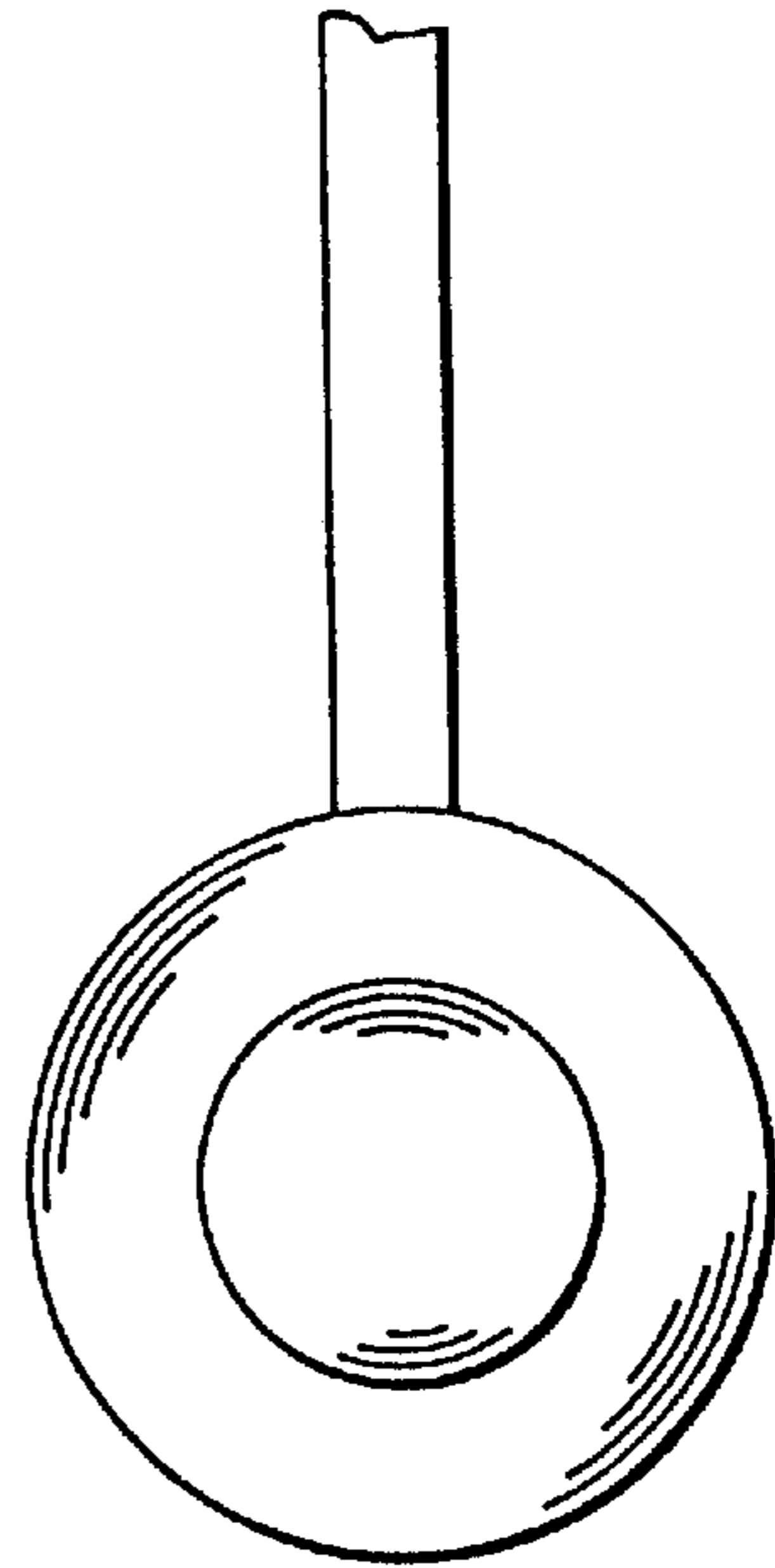


FIG. 4

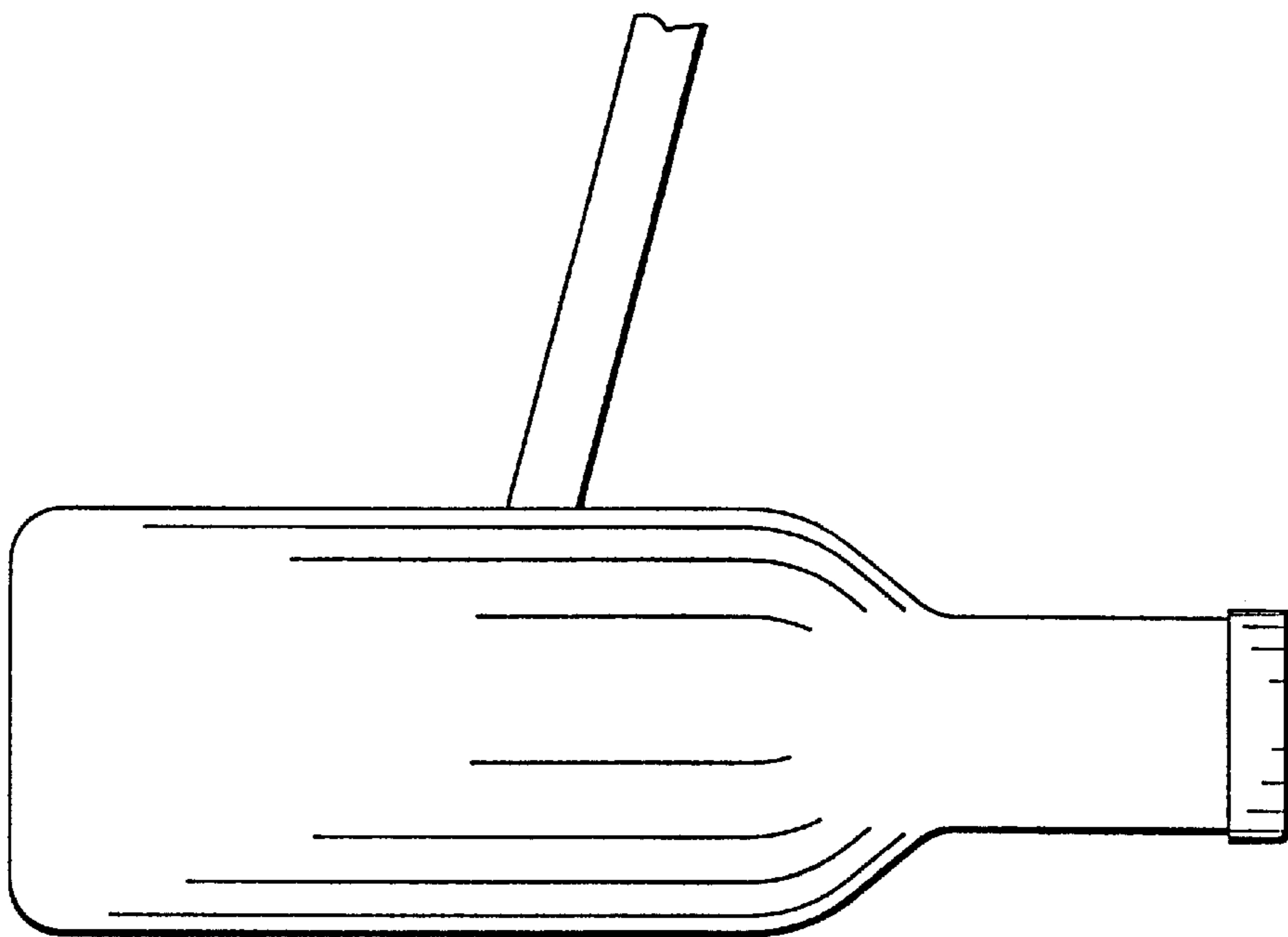


FIG. 3