



US00D483083S

(12) **United States Design Patent**
Allshouse et al.

(10) **Patent No.:** **US D483,083 S**

(45) **Date of Patent:** **** Dec. 2, 2003**

(54) **WEIGHT**

(75) Inventors: **James R. Allshouse**, Newburgh, IN
(US); **Larry J. Gajderowicz**,
Newburgh, IN (US)

(73) Assignee: **Indian Industries, Inc**, Evansville, IN
(US)

(**) Term: **14 Years**

(21) Appl. No.: **29/173,630**

(22) Filed: **Jan. 2, 2003**

(51) **LOC (7) Cl.** **21-02**

(52) **U.S. Cl.** **D21/680; D21/681**

(58) **Field of Search** D21/662, 680,
D21/681, 682, 683; 482/105, 106, 107,
108

(56) **References Cited**

U.S. PATENT DOCUMENTS

5,137,502 A	8/1992	Anastasi	482/106
D354,322 S	1/1995	Vodhanel, Jr.	D21/680
D406,183 S	* 2/1999	Zovich	D21/680
D409,695 S	5/1999	Rojas et al.	D21/680
D421,076 S	2/2000	Lincar	D21/680
D424,140 S	5/2000	Lincar	D21/680

D433,720 S	11/2000	Rojas et al.	D21/680
D433,721 S	11/2000	Rojas et al.	D21/680
D434,090 S	11/2000	Wallace et al.	D21/680
D442,654 S	* 5/2001	Buchanan	D21/680
D445,154 S	7/2001	Lincar	D21/680
D446,265 S	8/2001	Lincar	D21/680
D446,559 S	8/2001	Lincar	D21/681
D448,055 S	9/2001	Lien et al.	D21/681
6,319,176 B1	* 11/2001	Landfair	482/93
6,436,015 B1	8/2002	Frasco et al.	482/106
D463,001 S	9/2002	Buchanan	D21/680

* cited by examiner

Primary Examiner—Philip S. Hyder

(74) *Attorney, Agent, or Firm*—Woodard, Emhardt,
Moriarty McNett & Henry LLP

(57) **CLAIM**

The ornamental design for a weight, as shown and described.

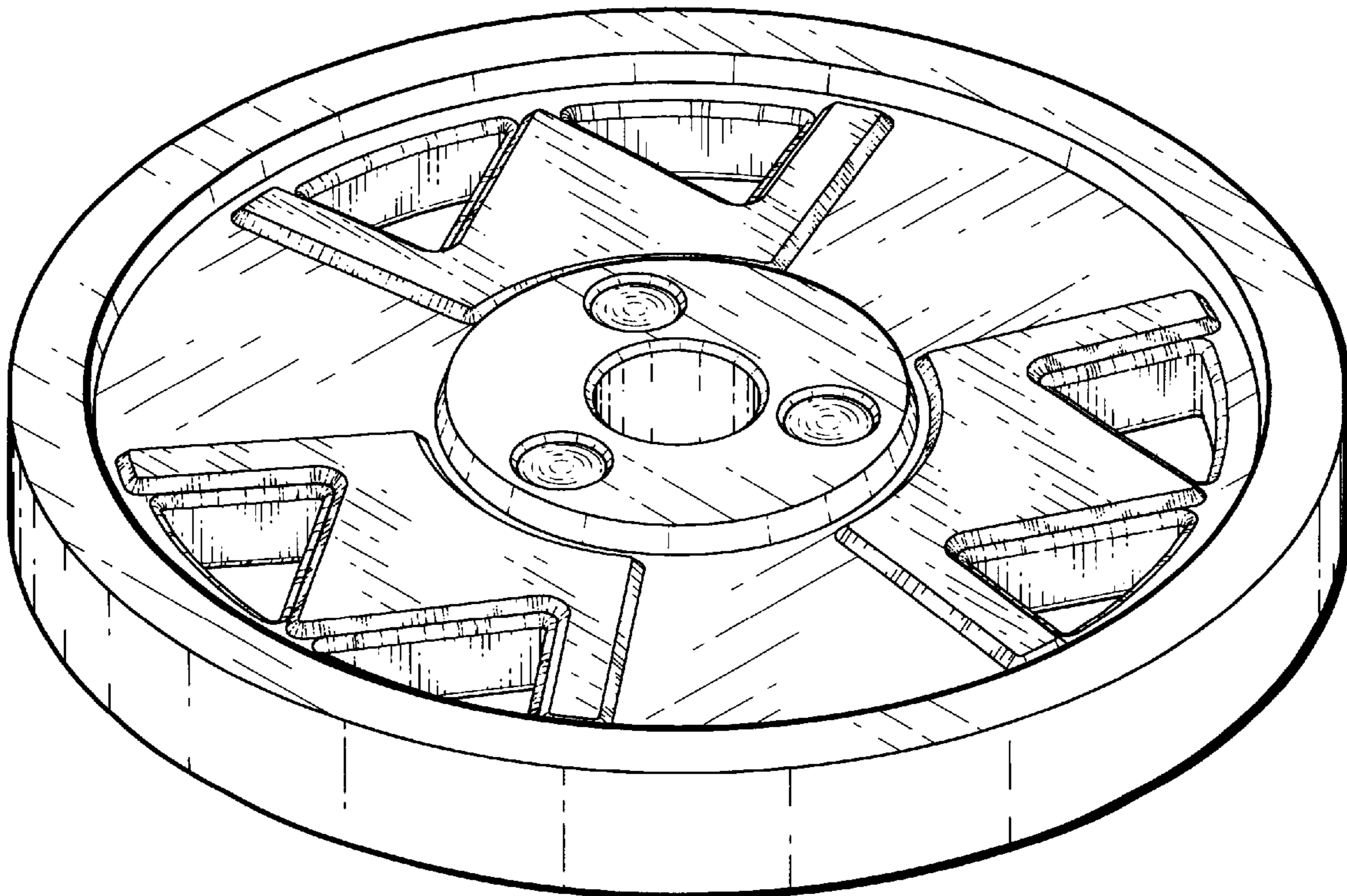
DESCRIPTION

FIG. 1 is a perspective view of a weight showing our new design.

FIG. 2 is an end-on view thereof; and,

FIG. 3 is a front view thereof, the rear view is identical.

1 Claim, 2 Drawing Sheets



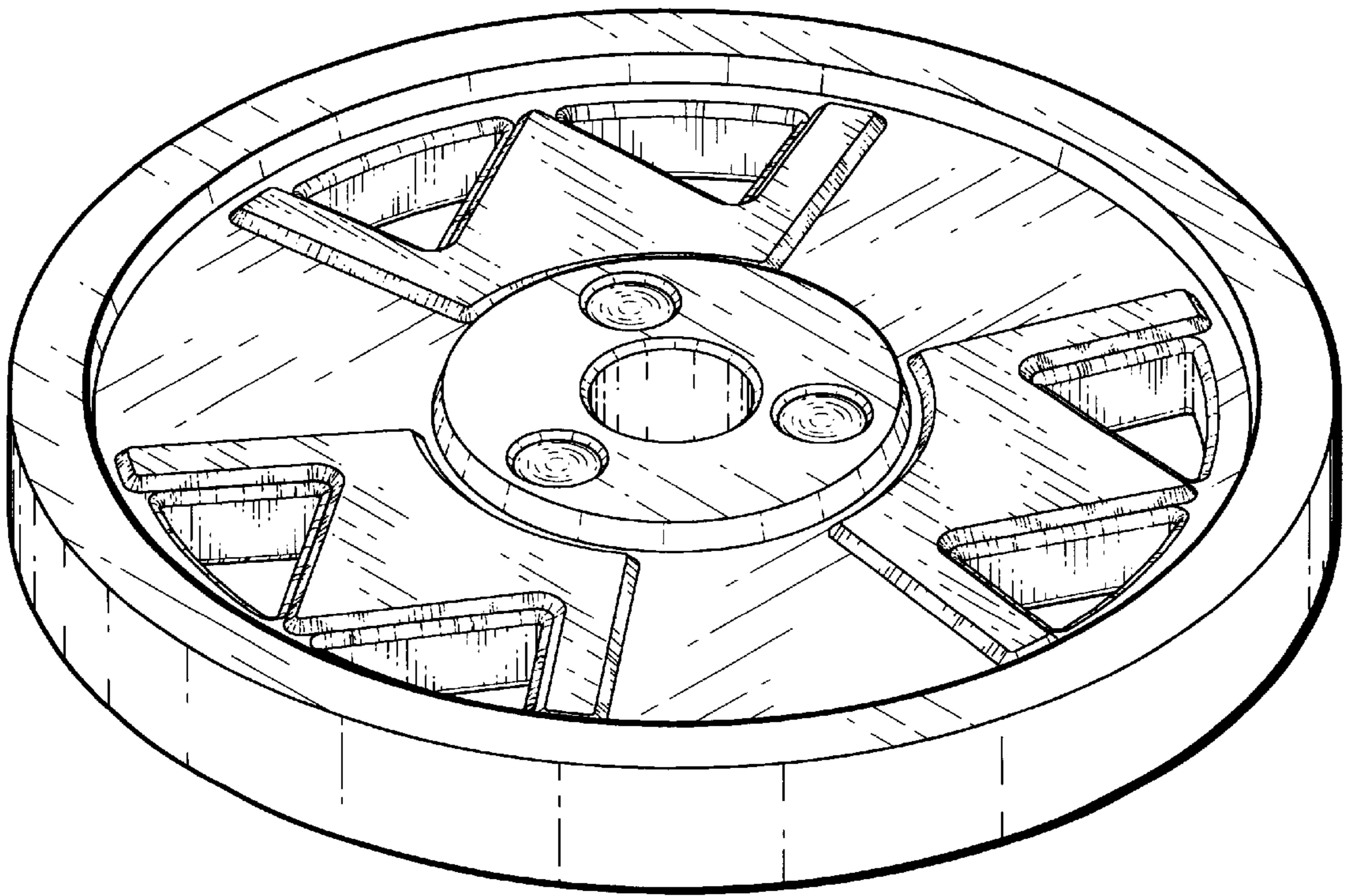


Fig. 1



Fig. 2

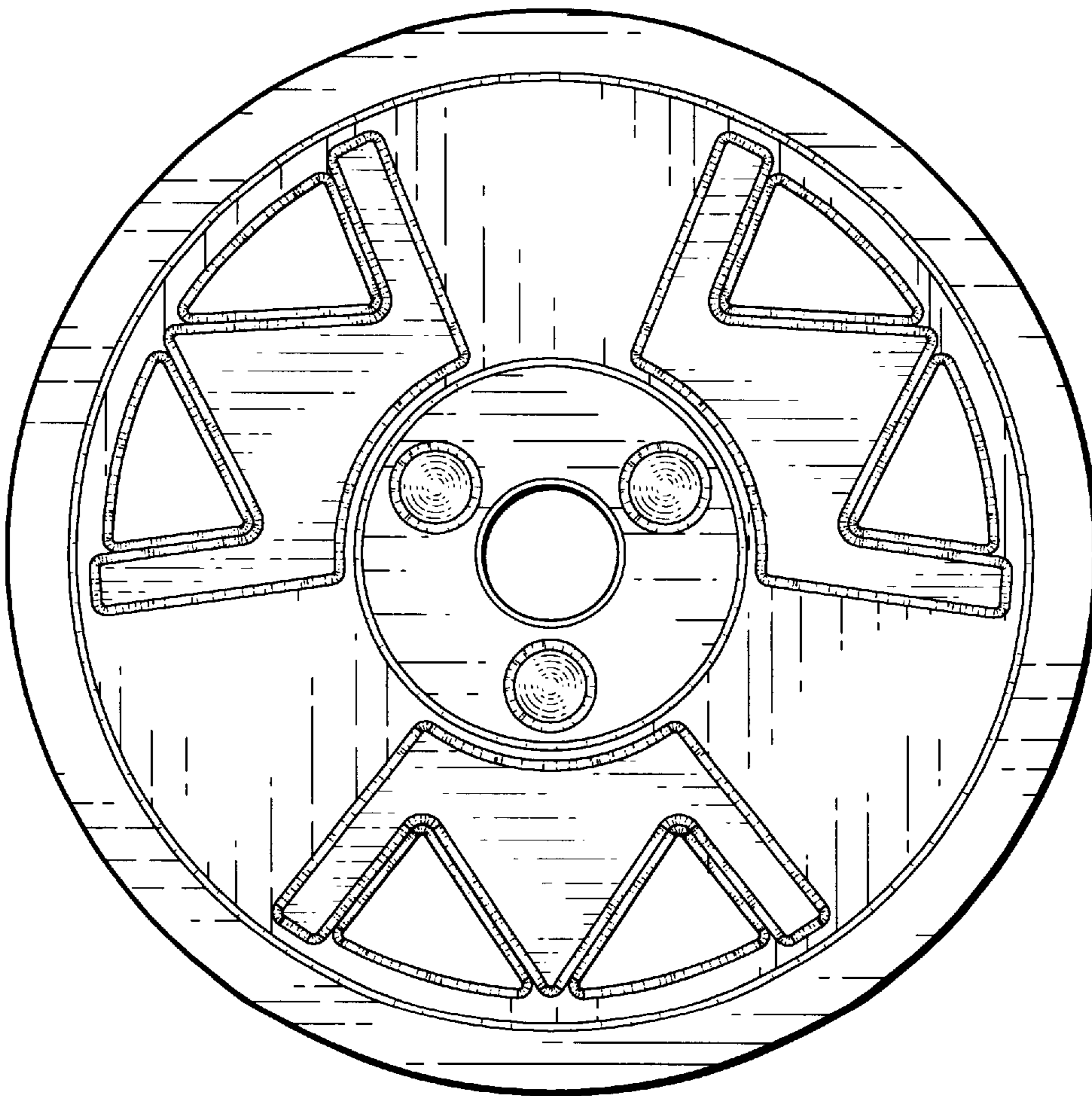


Fig. 3