



US00D483082S

(12) **United States Design Patent** (10) **Patent No.:** **US D483,082 S**  
**Toole** (45) **Date of Patent:** **\*\* Dec. 2, 2003**

(54) **BODY CONDITIONING EXERCISE MACHINE**

5,938,571 A \* 8/1999 Stevens ..... 482/96  
6,238,322 B1 \* 5/2001 Hsu ..... 482/96

(76) Inventor: **Robert M Toole**, P.O. Box 1024,  
Corona, CA (US) 92878

\* cited by examiner

*Primary Examiner*—Philip S. Hyder

(\*\*) Term: **14 Years**

(57) **CLAIM**

(21) Appl. No.: **29/167,933**

The ornamental design for a body conditioning exercise machine, as shown and described.

(22) Filed: **Sep. 18, 2002**

**DESCRIPTION**

(51) **LOC (7) Cl.** ..... **21-02**

(52) **U.S. Cl.** ..... **D21/662; D21/673**

(58) **Field of Search** ..... D21/662, 686,  
D21/687, 689, 690, 691, 692; 482/133,  
95, 96, 140, 142

FIG. 1 is a front perspective view of a body conditioning exercise machine showing my new design;

FIG. 2 is side perspective view of the body conditioning exercise machine, wherein the opposite side perspective view is a mirror image;

FIG. 3 is a top view thereof; and,

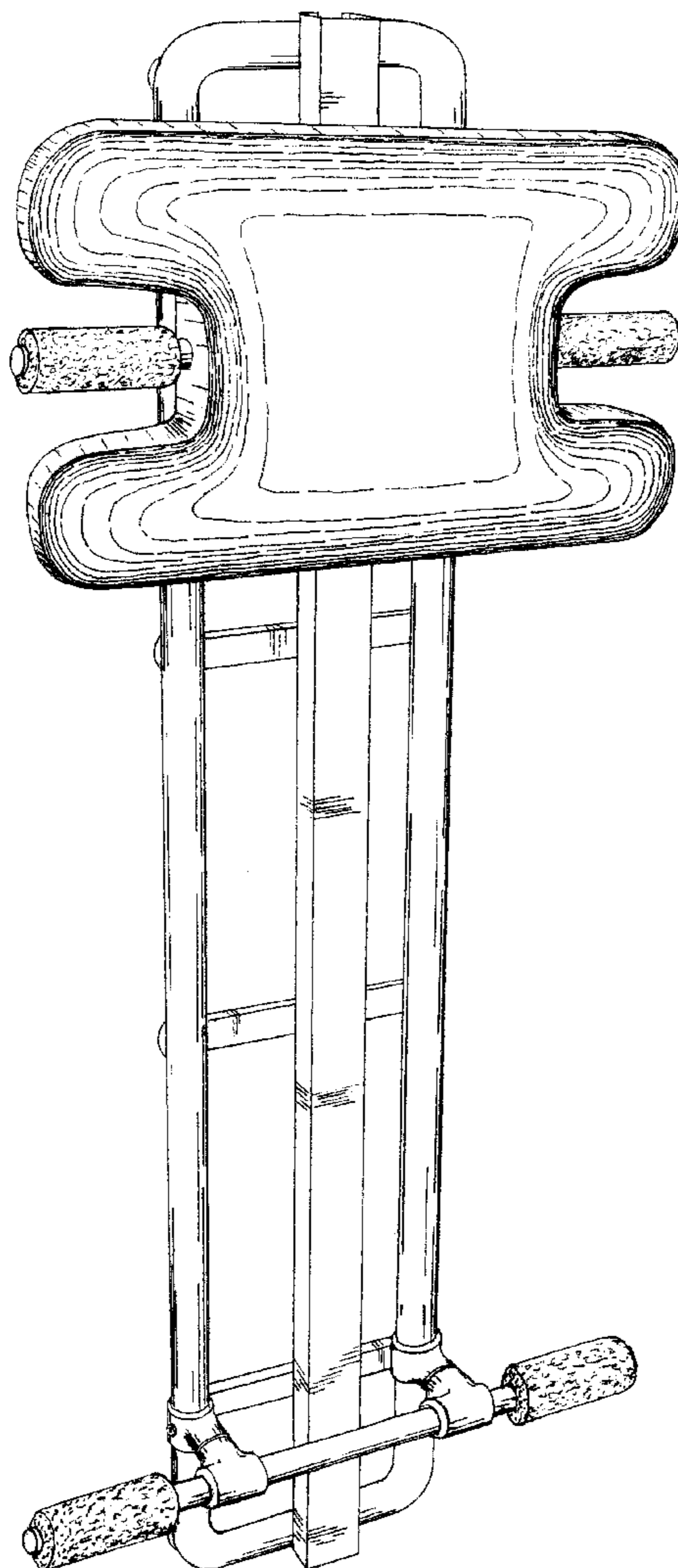
FIG. 4 is a top perspective view thereof.

(56) **References Cited**

**U.S. PATENT DOCUMENTS**

D362,700 S \* 9/1995 Breibart et al. .... D21/673

**1 Claim, 4 Drawing Sheets**



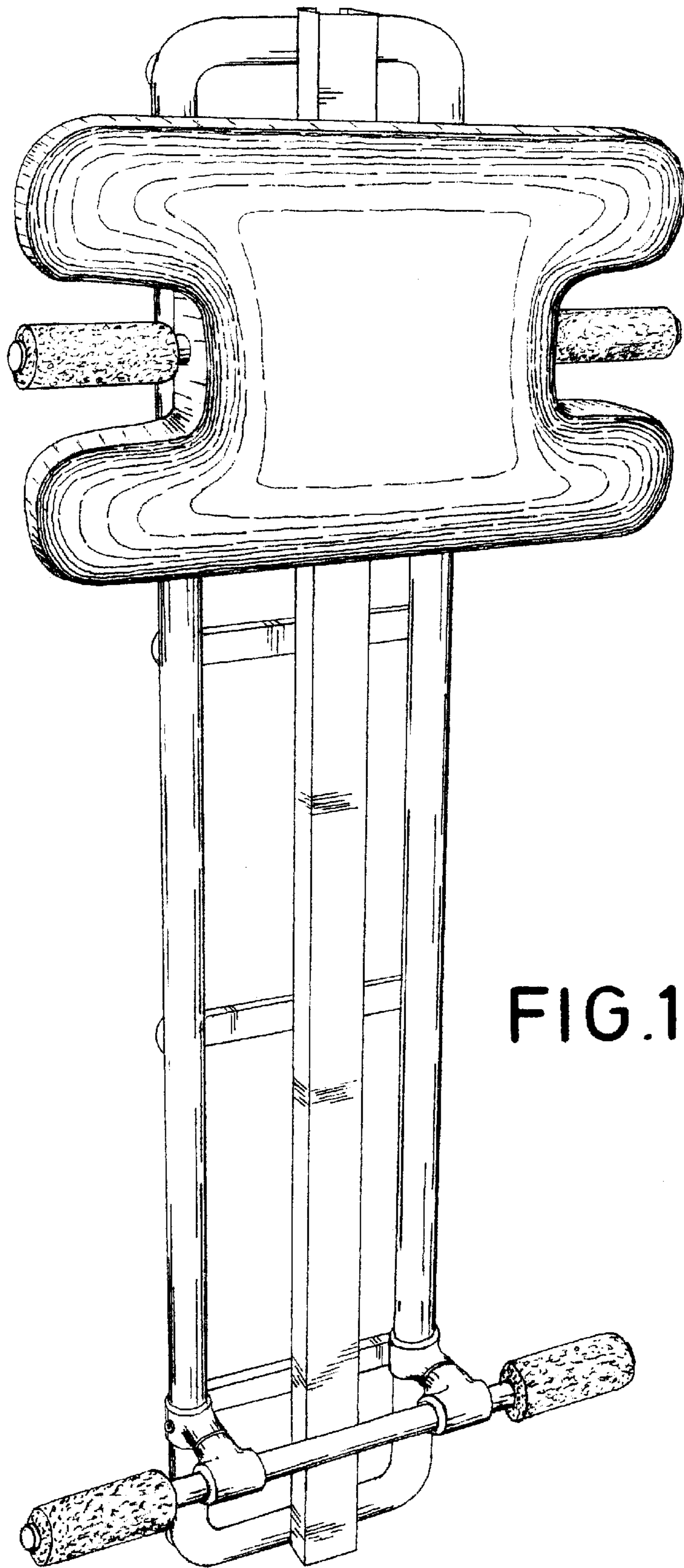


FIG. 1

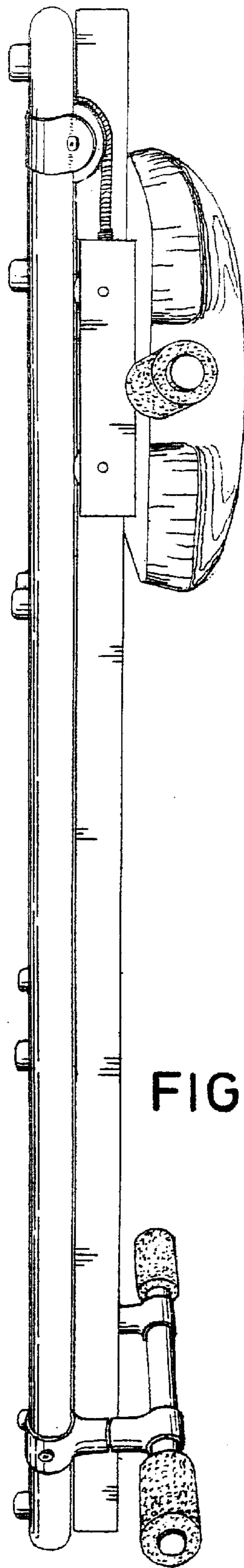


FIG. 2

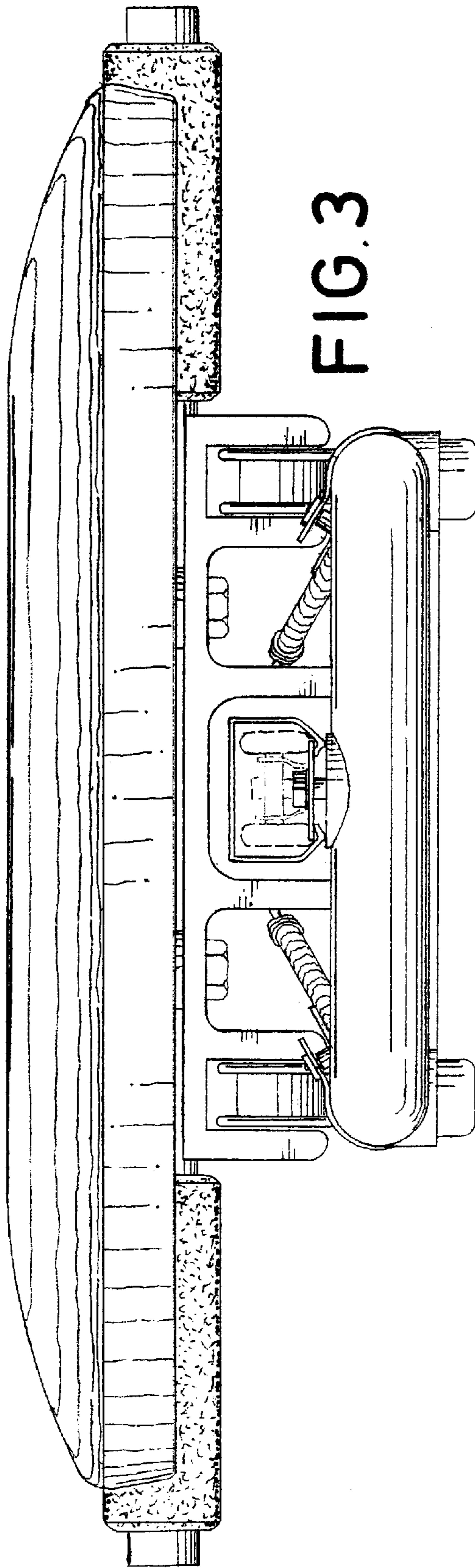


FIG. 3

