



US00D483079S

(12) **United States Design Patent**
Wang et al.

(10) **Patent No.:** **US D483,079 S**

(45) **Date of Patent:** **** Dec. 2, 2003**

(54) **CHILD'S TWO SEATER GOLF CART**

D369,762 S * 5/1996 Molzon et al. D12/16
D394,637 S * 5/1998 Camiano D12/401
D430,619 S * 9/2000 Wang et al. D21/433

(76) Inventors: **Po Szu Wang**, 27 Mecklenberg, Irvine,
CA (US) 92620; **Josephine M. Yang**,
9582 Montanza Way, Buena Park, CA
(US) 90620

* cited by examiner

Primary Examiner—Raphael Barkai

(74) *Attorney, Agent, or Firm*—Joe Nieh

(**) Term: **14 Years**

(57) **CLAIM**

(21) Appl. No.: **29/174,725**

The ornamental design for a child's two seater golf cart, as shown and described.

(22) Filed: **Jan. 23, 2003**

DESCRIPTION

(51) **LOC (7) Cl.** **21-01**

(52) **U.S. Cl.** **D21/433; D21/425; D21/427**

(58) **Field of Search** D21/419-435,
D21/533-539, 548-551; D12/1, 16, 87,
88; 446/424-425, 427, 433, 450, 454, 456-457,
465, 470; 280/87.01, 87.021; 296/186,
210, 102, 37.7

FIG. 1 is a perspective view of a child's two seater golf cart with an optional cover showing my new design;

FIG. 2 is a perspective view of a child's two seater golf cart showing my new design;

FIG. 3 is a front view thereof;

FIG. 4 is a rear view thereof;

FIG. 5 is a right side view thereof;

FIG. 6 is a left side view thereof;

FIG. 7 is a top view thereof; and,

FIG. 8 is a bottom view thereof.

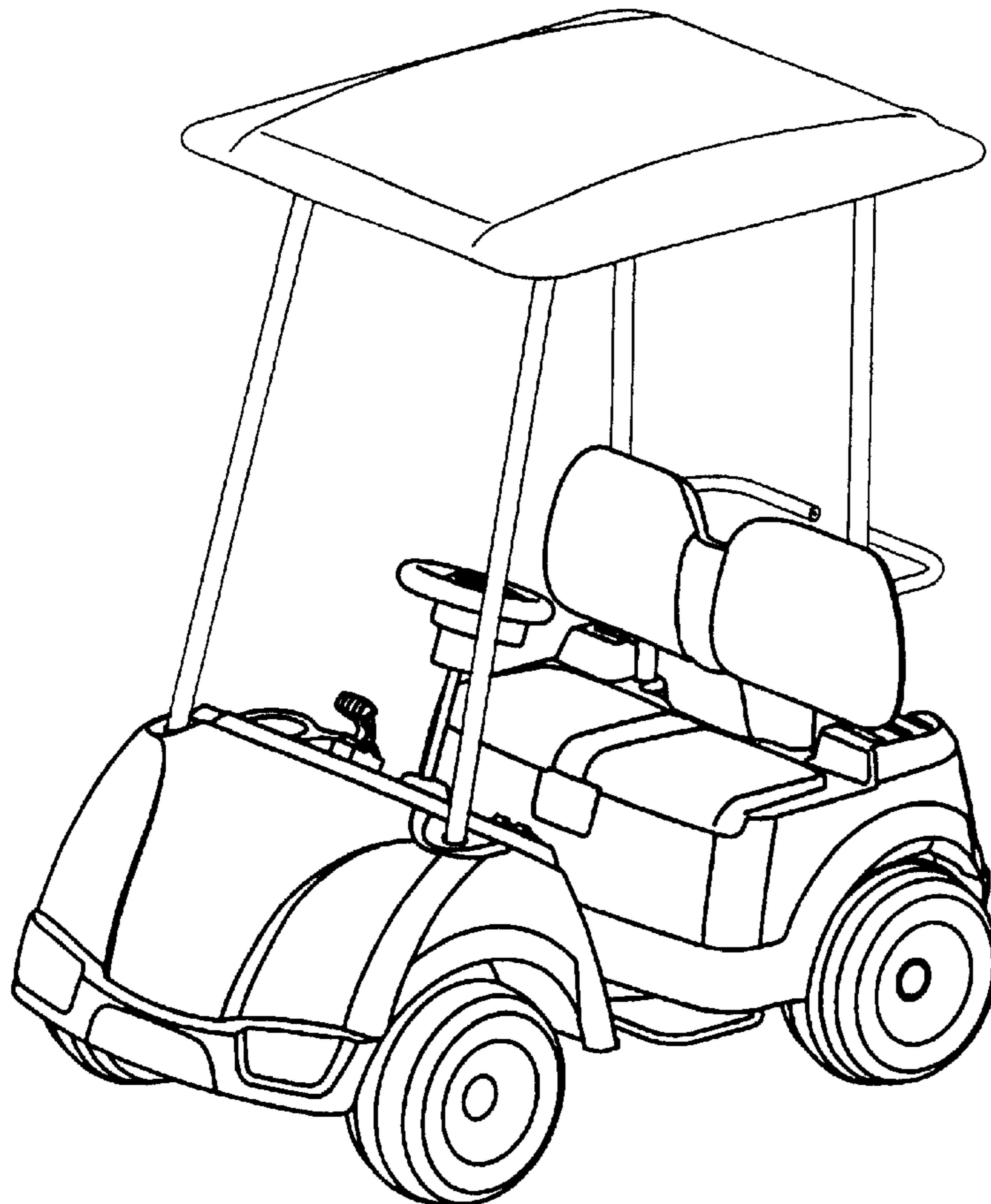
The cart is shown separately in FIGS. 2-8 for ease of illustration only.

(56) **References Cited**

U.S. PATENT DOCUMENTS

4,037,614 A * 7/1977 Hines et al. 296/102
D245,592 S * 8/1977 Davidson D12/16
4,650,238 A * 3/1987 Healey 296/37.7
5,094,500 A * 3/1992 Maypole et al. 296/102

1 Claim, 5 Drawing Sheets



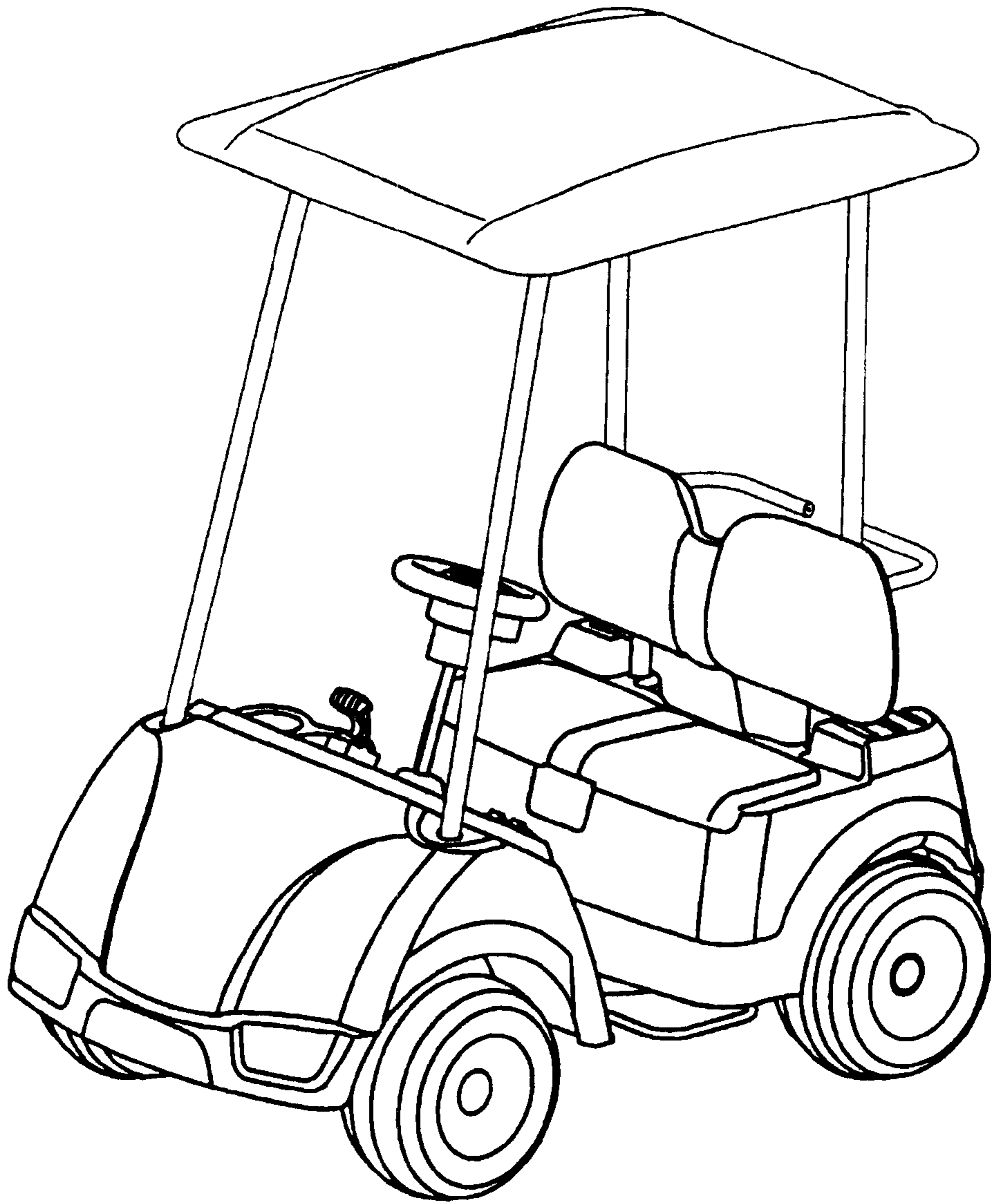


Figure 1

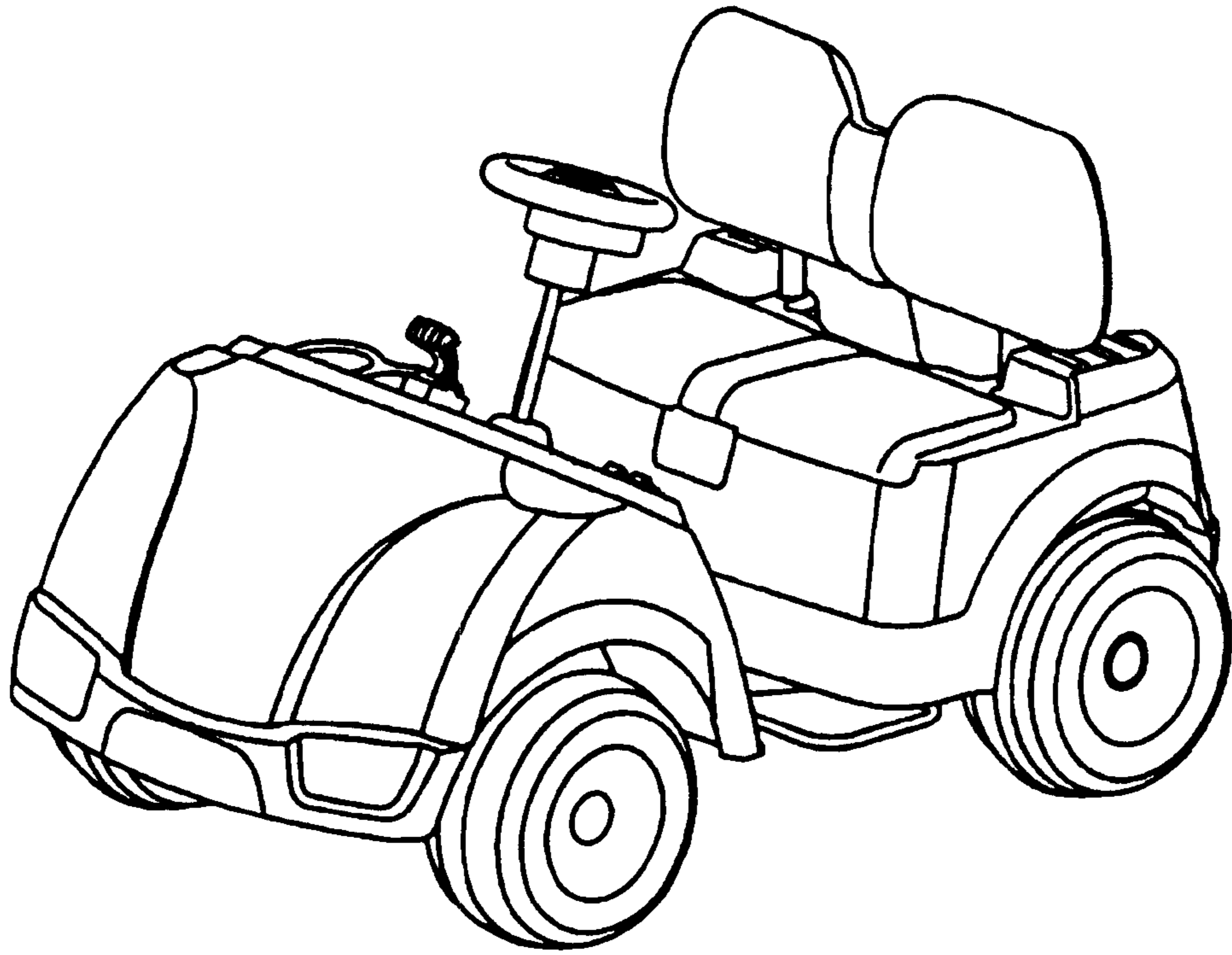


Figure 2

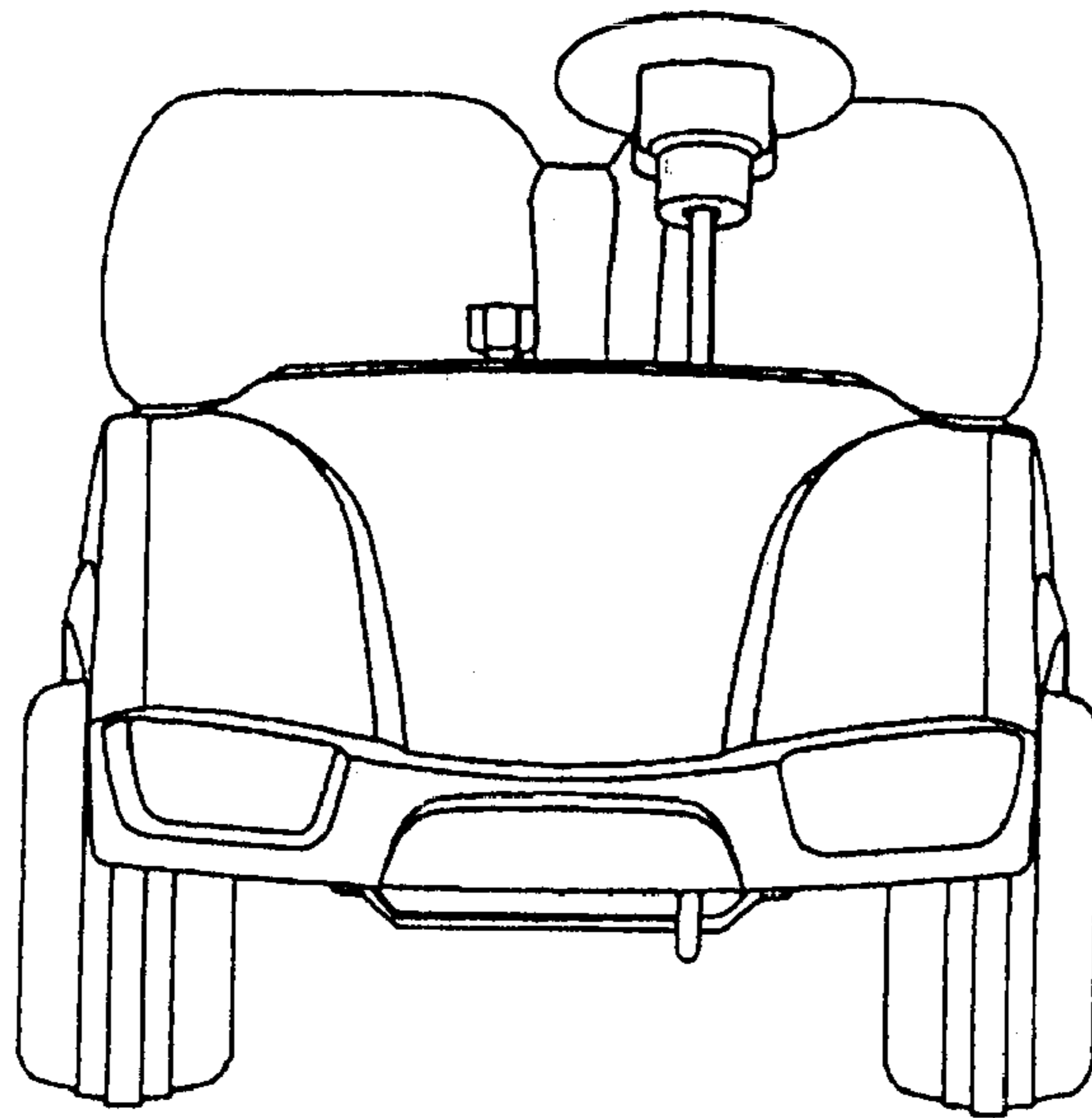


Figure 3

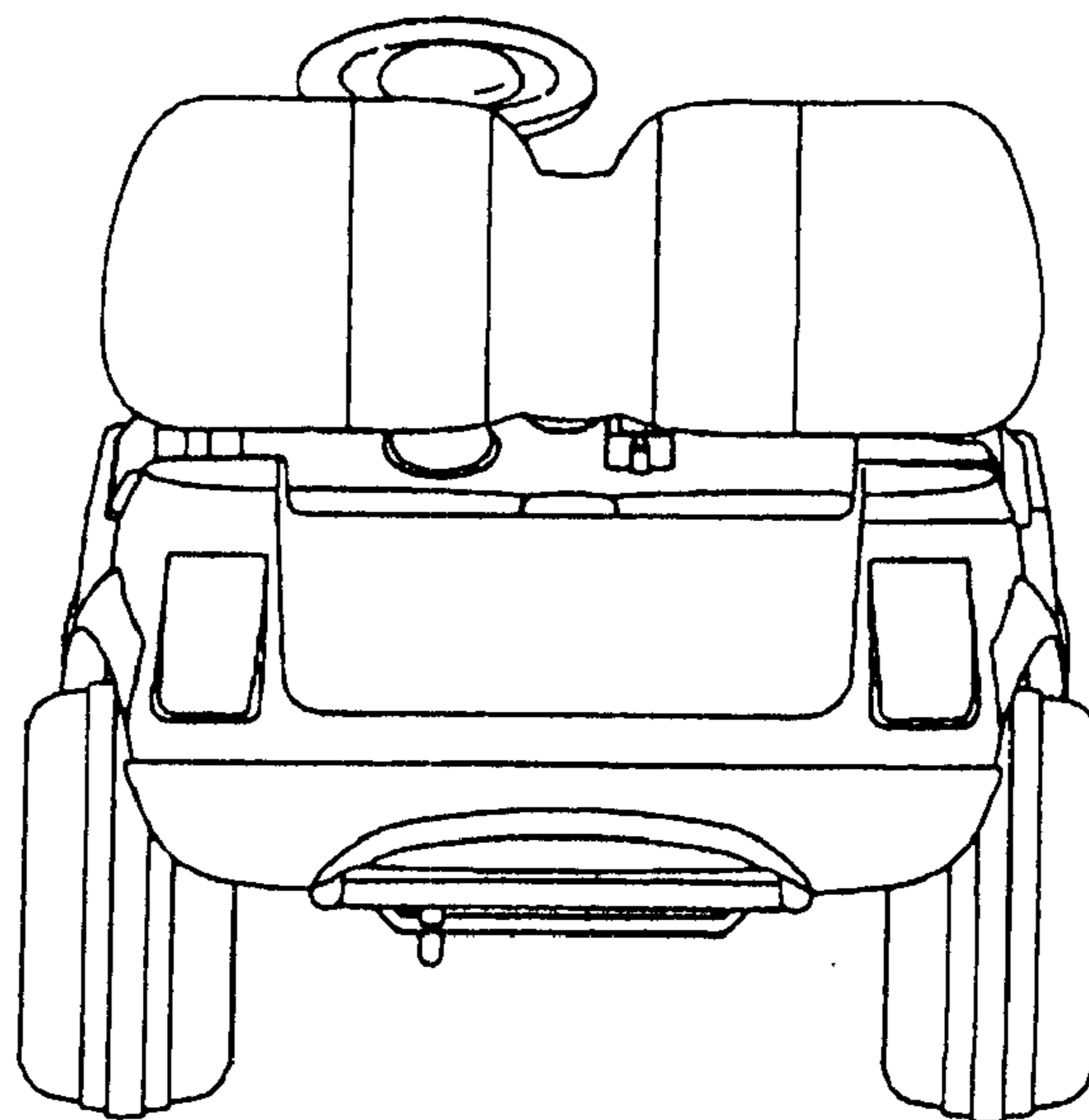


Figure 4

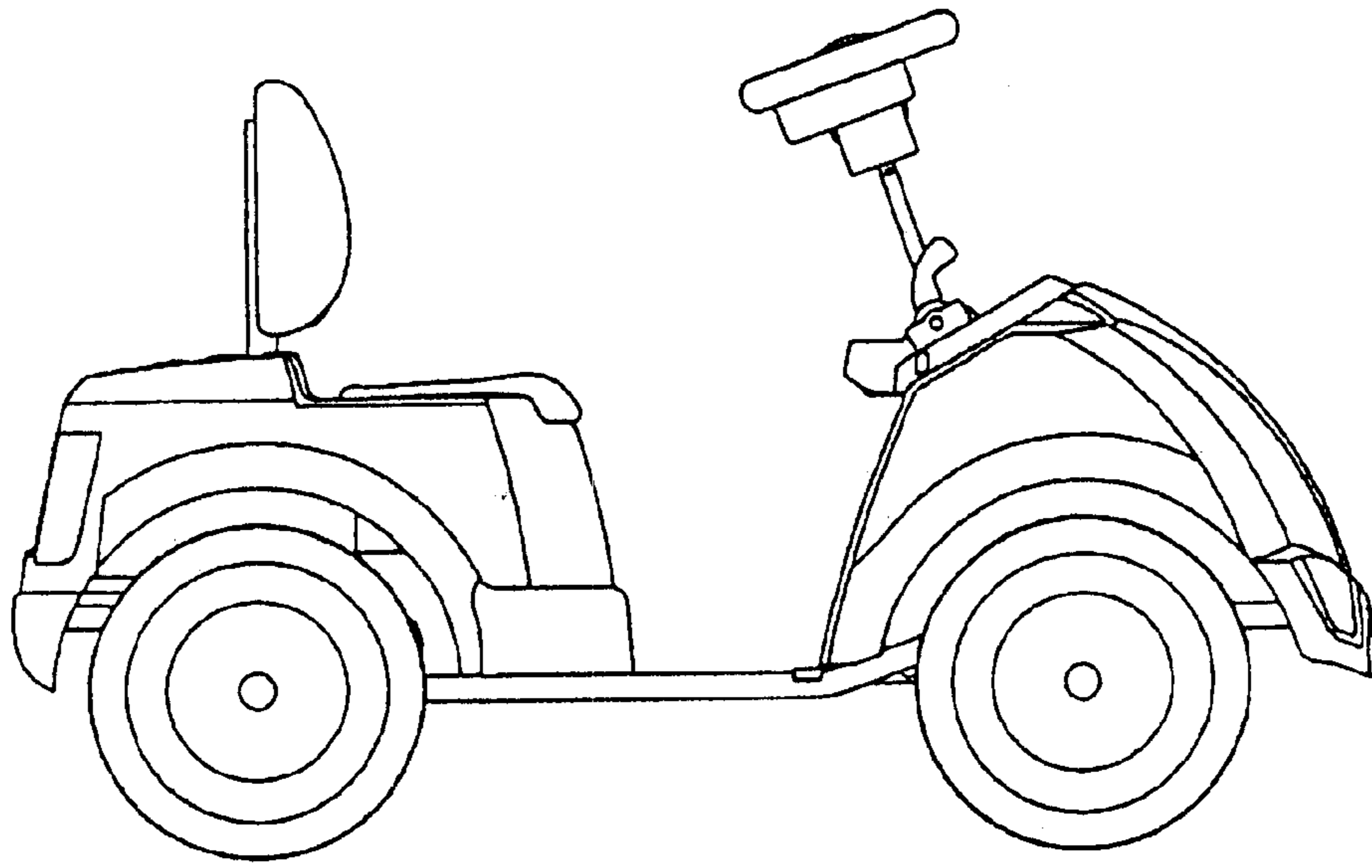


Figure 5

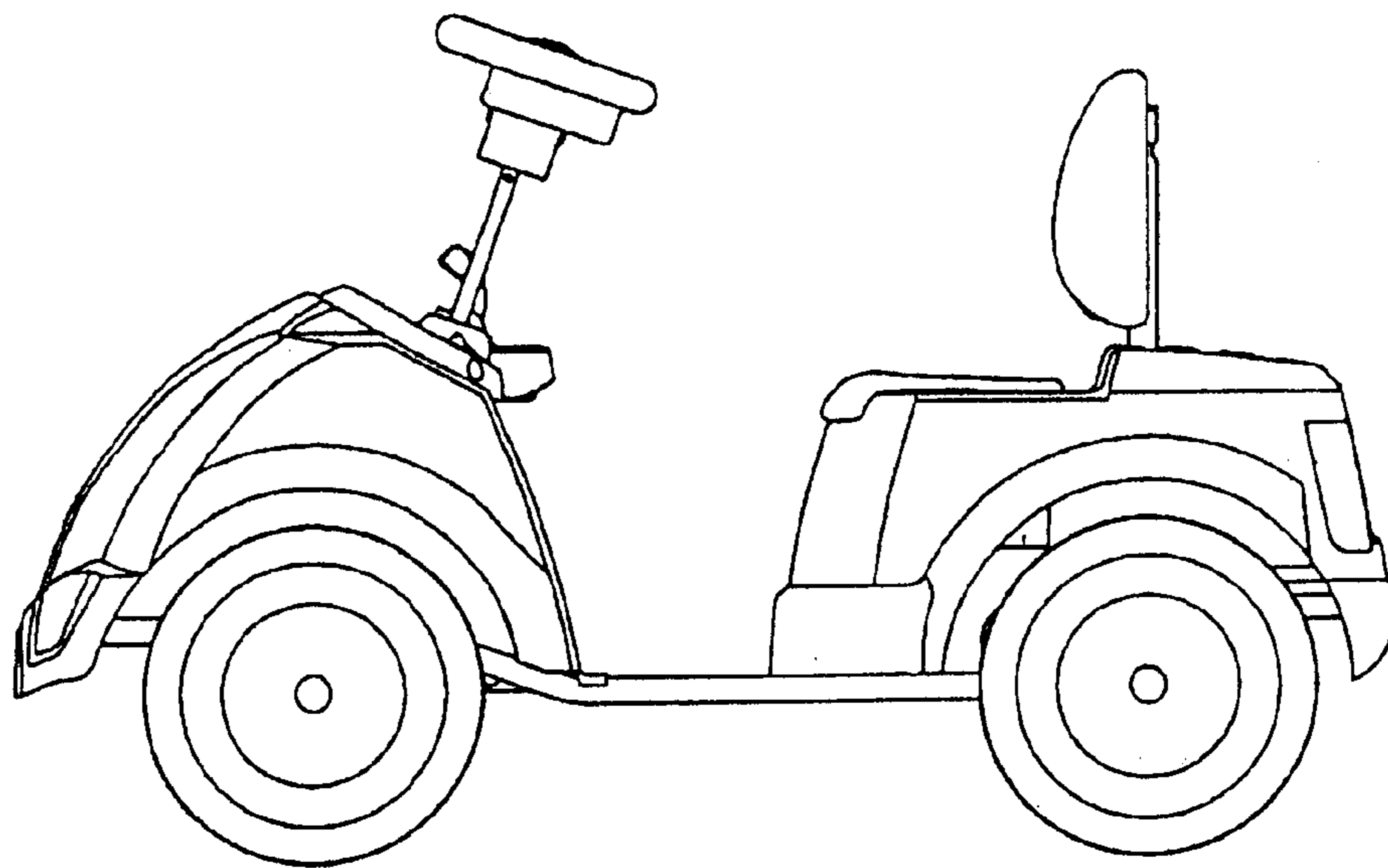


Figure 6

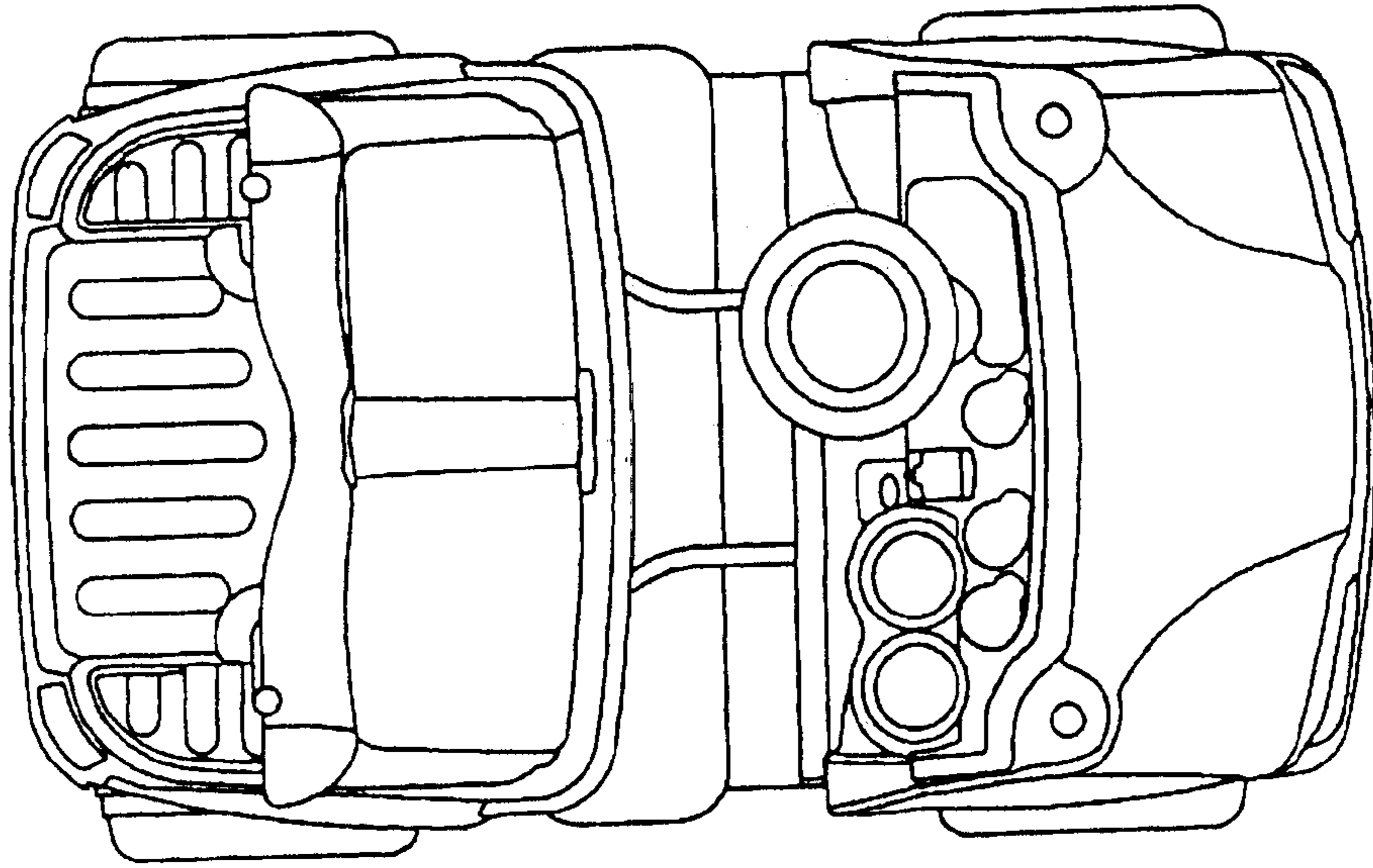


Figure 7

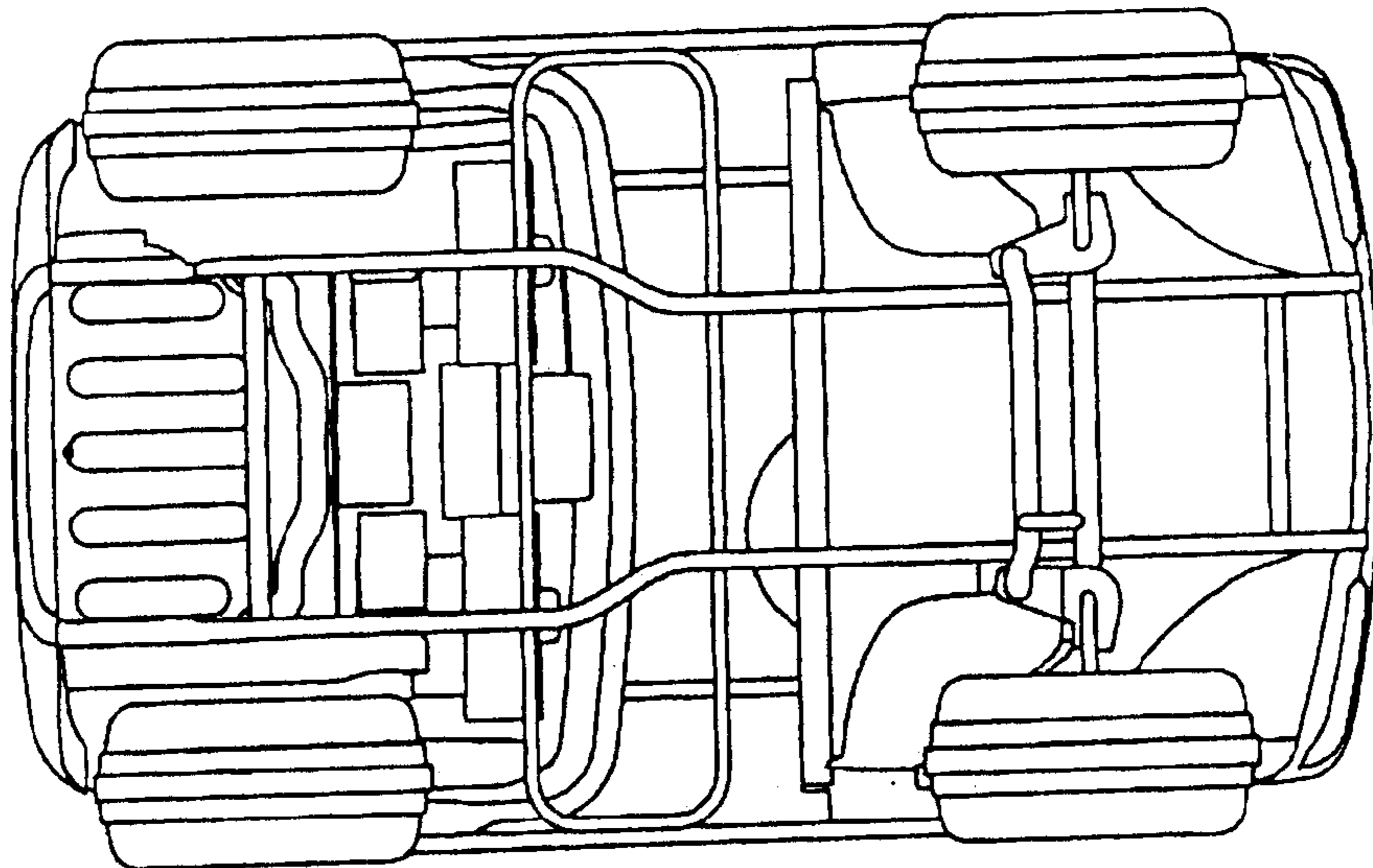


Figure 8