



US00D483075S

(12) **United States Design Patent**
Kang

(10) **Patent No.:** **US D483,075 S**

(45) **Date of Patent:** **** Dec. 2, 2003**

(54) **ARCADE SIMULATOR**
(75) Inventor: **Shin-Chang Kang**, Gyeonggi-do (KR)
(73) Assignee: **Vision Technology System Co., Ltd.**,
Seoul (KR)
(**) Term: **14 Years**

5,299,810 A * 4/1994 Pierce et al. 463/30
5,439,230 A * 8/1995 Mendes, Jr. 463/51
D392,688 S * 3/1998 Isetani et al. D21/326
D403,024 S * 12/1998 Muraki et al. D21/326
D407,759 S * 4/1999 Isetani et al. D21/326
6,322,449 B1 * 11/2001 Klitsner et al. 463/47

* cited by examiner

Primary Examiner—Prabhakar Deshmukh
(74) *Attorney, Agent, or Firm*—Foley & Lardner

(21) Appl. No.: **29/157,375**
(22) Filed: **Mar. 19, 2002**

(57) **CLAIM**

(30) **Foreign Application Priority Data**
Sep. 21, 2001 (KR) 2001-26847

The ornamental design for an arcade simulator, as shown and described.

(51) **LOC (7) Cl.** **21-01**
(52) **U.S. Cl.** **D21/326**
(58) **Field of Search** D21/324-327,
D21/811; 463/1, 29, 30, 46, 47, 50, 51,
58; 273/148 B

DESCRIPTION

FIG. 1 is a perspective view of the arcade simulator taken from the front, right side and above;
FIG. 2 is a front view of the arcade simulator;
FIG. 3 is a rear view of the arcade simulator;
FIG. 4 is a top view of the arcade simulator;
FIG. 5 is a bottom view of the arcade simulator;
FIG. 6 is a left side view of the arcade simulator; and,
FIG. 7 is a right side view of the arcade simulator.

(56) **References Cited**
U.S. PATENT DOCUMENTS

4,960,117 A * 10/1990 Monjrief et al. 463/46
D318,073 S * 7/1991 Jang D21/326

1 Claim, 7 Drawing Sheets

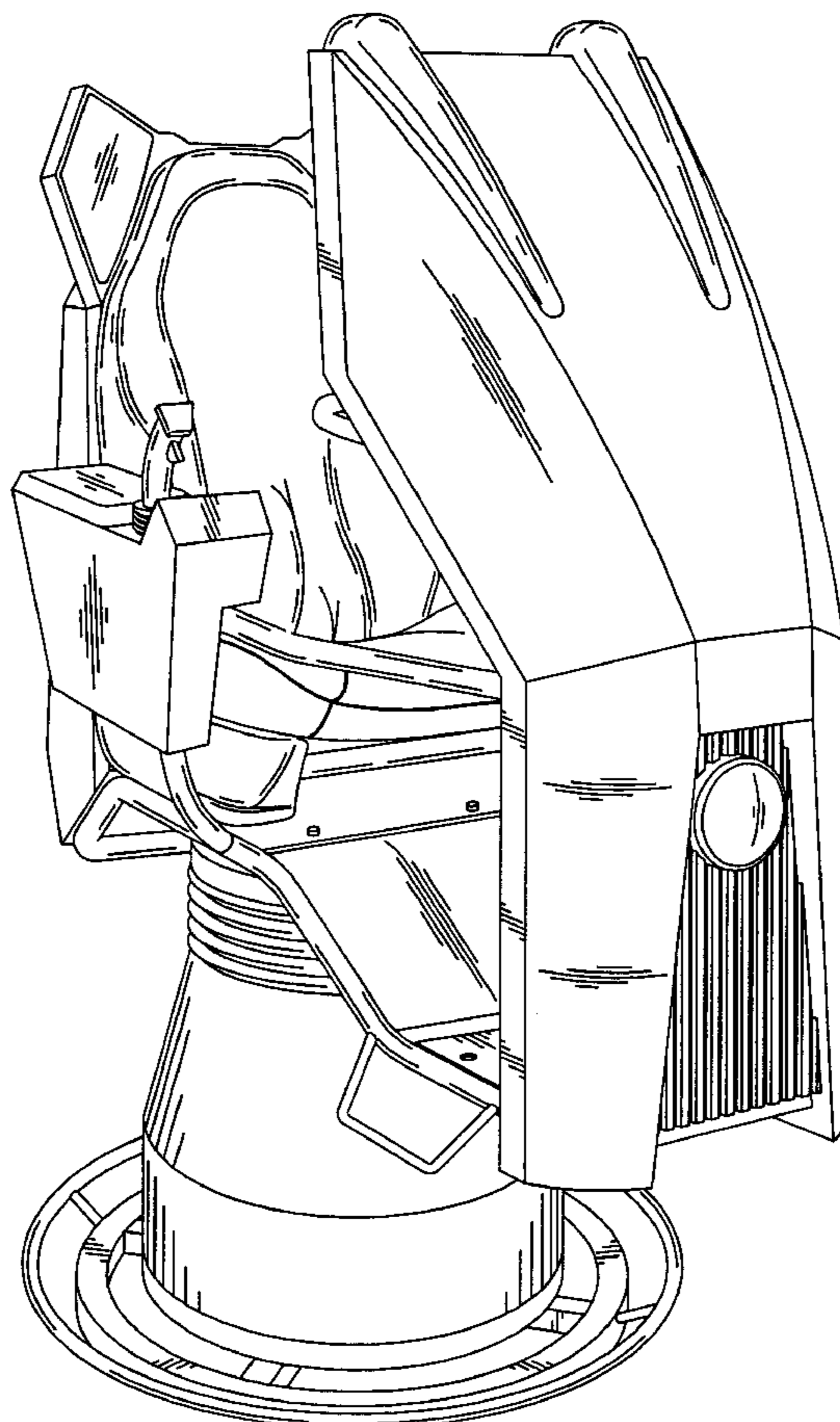


Fig. 1

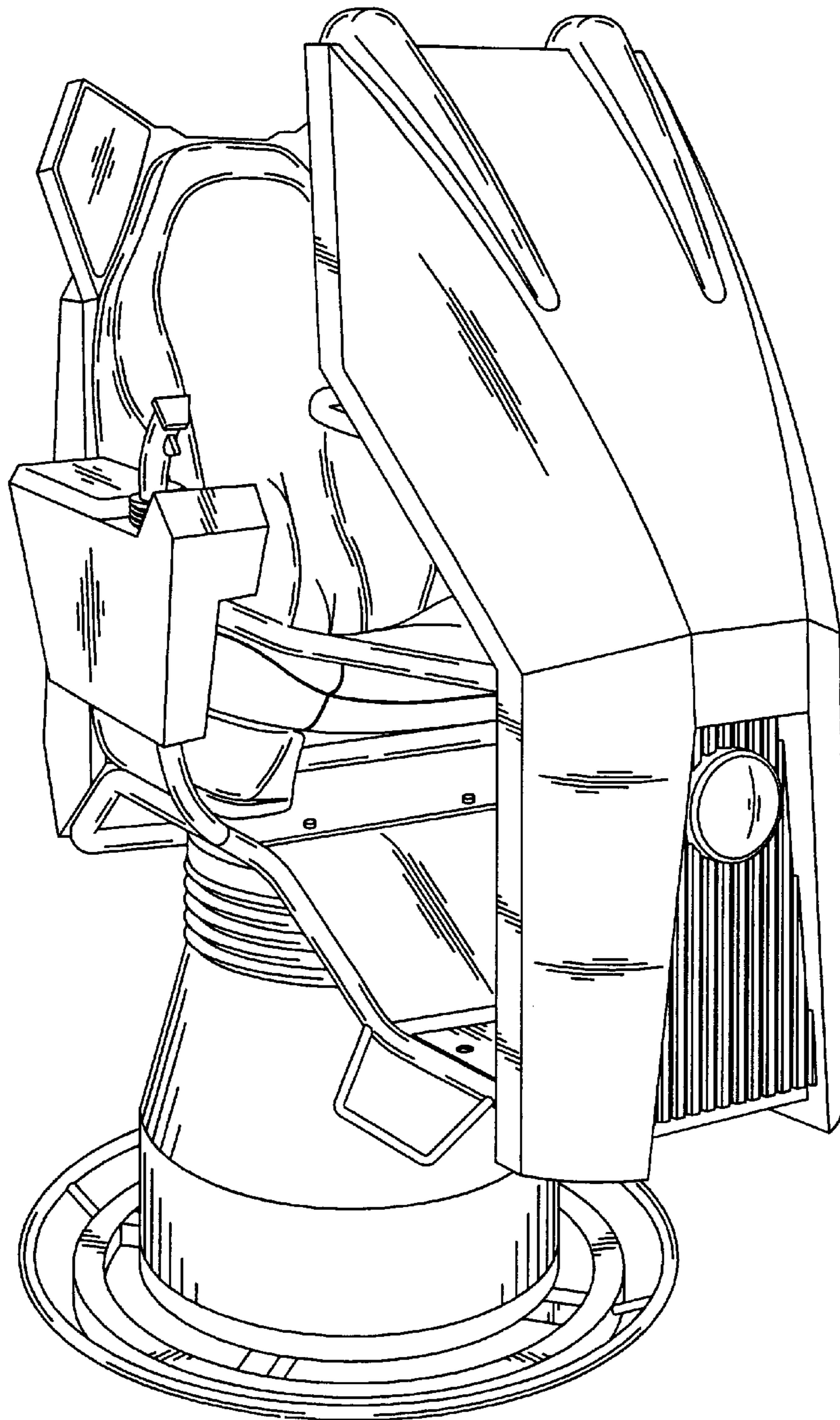


Fig. 2

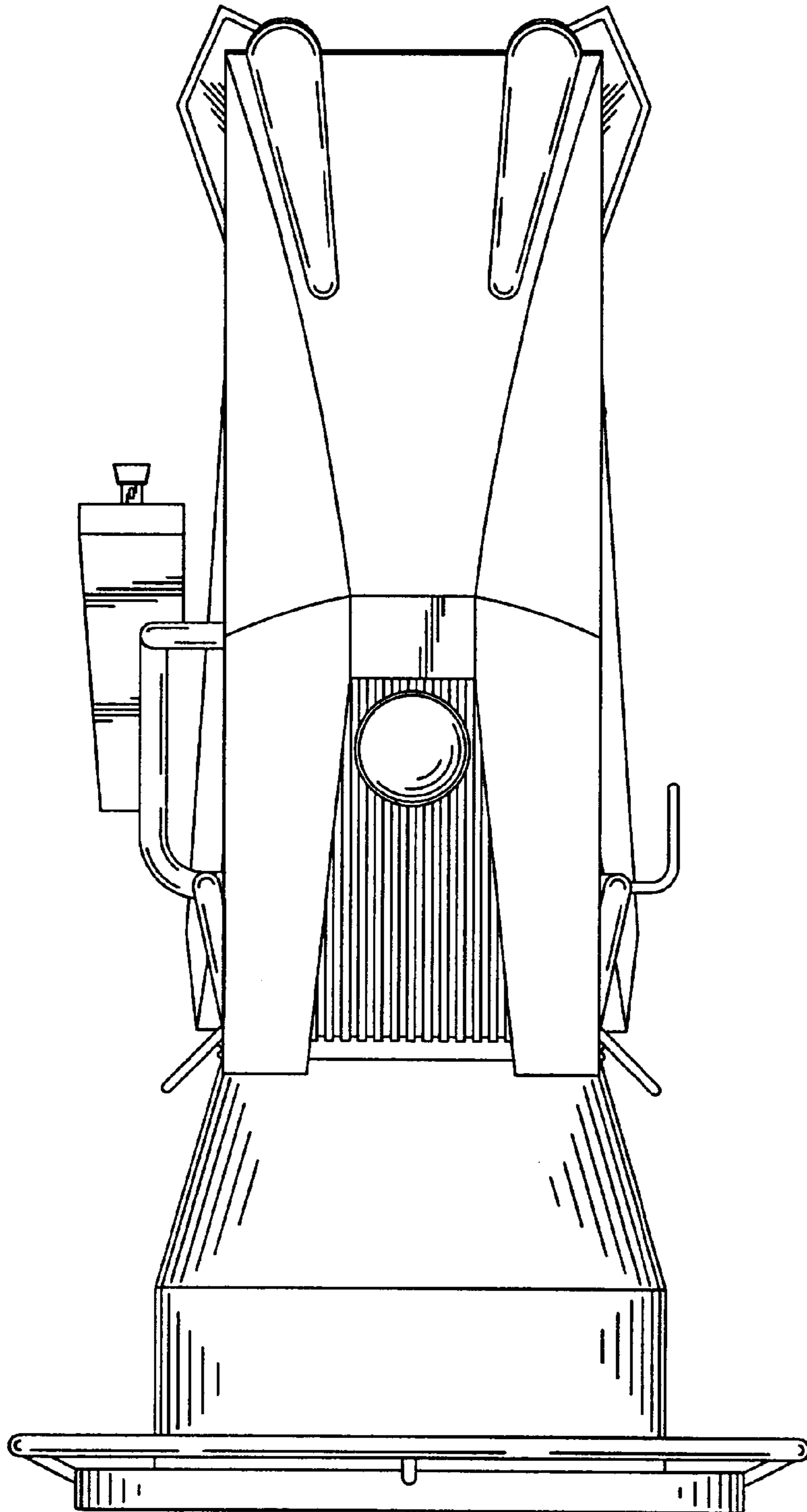


Fig. 3

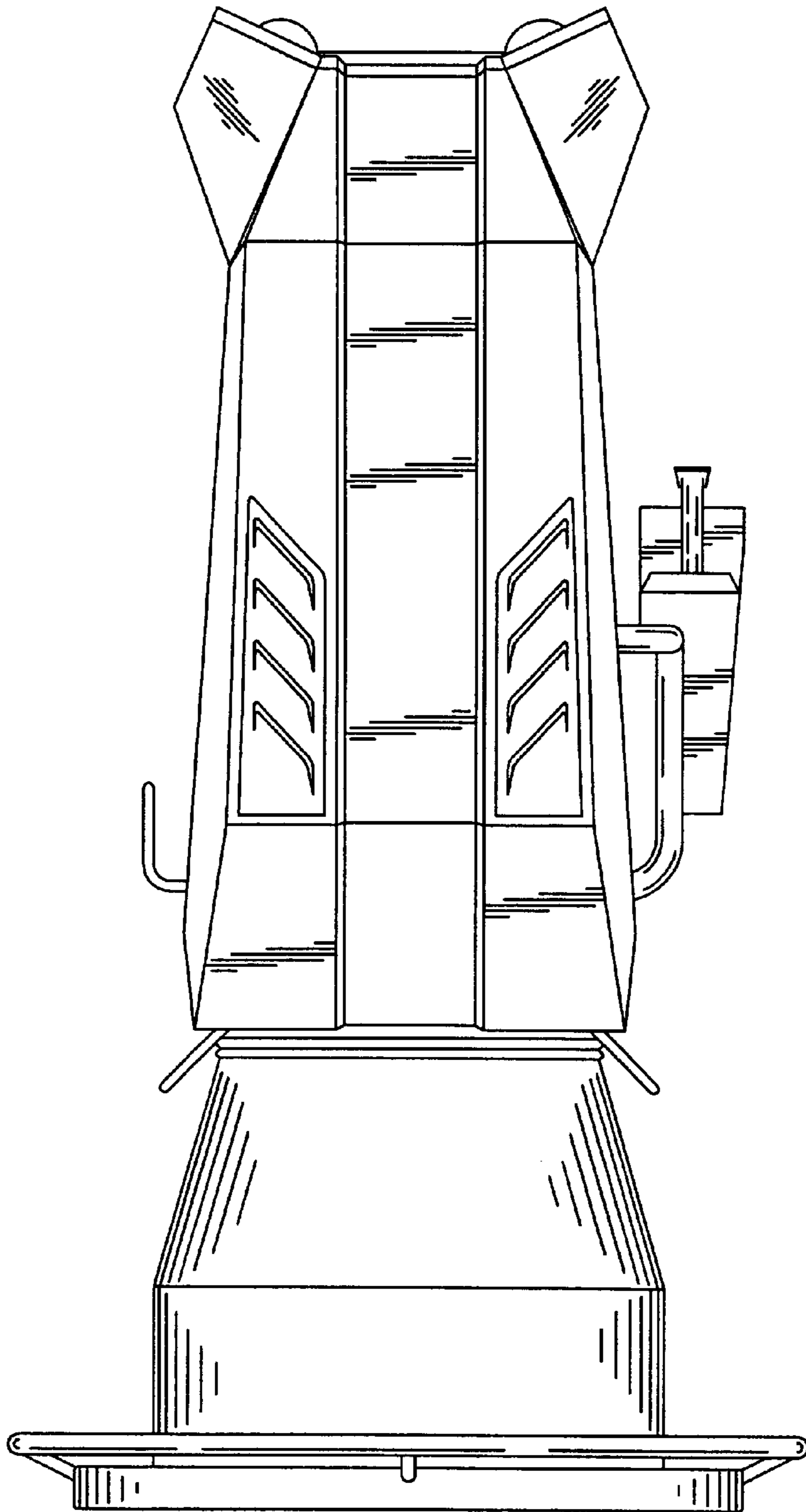


Fig. 4

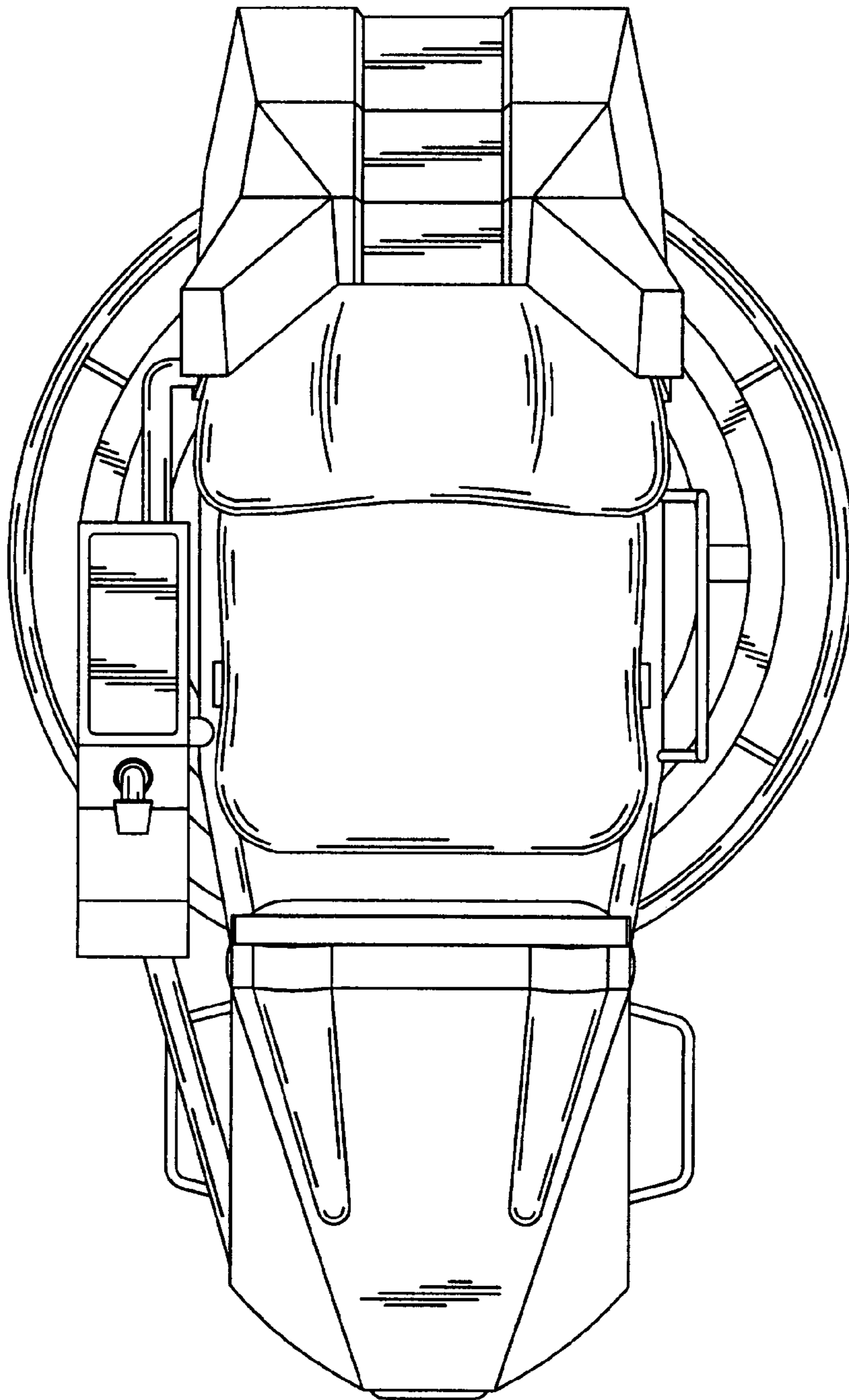


Fig. 5

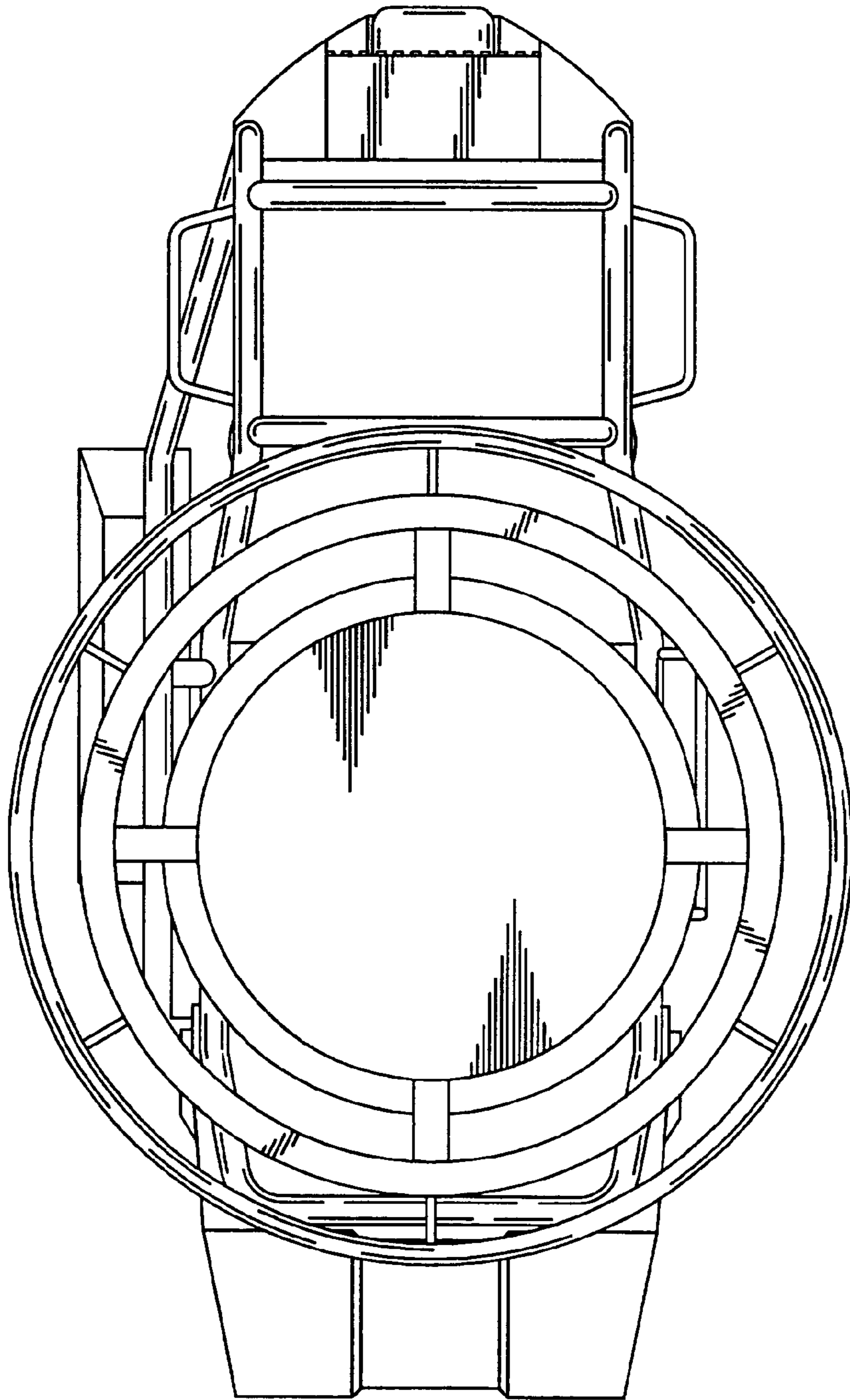


Fig. 6

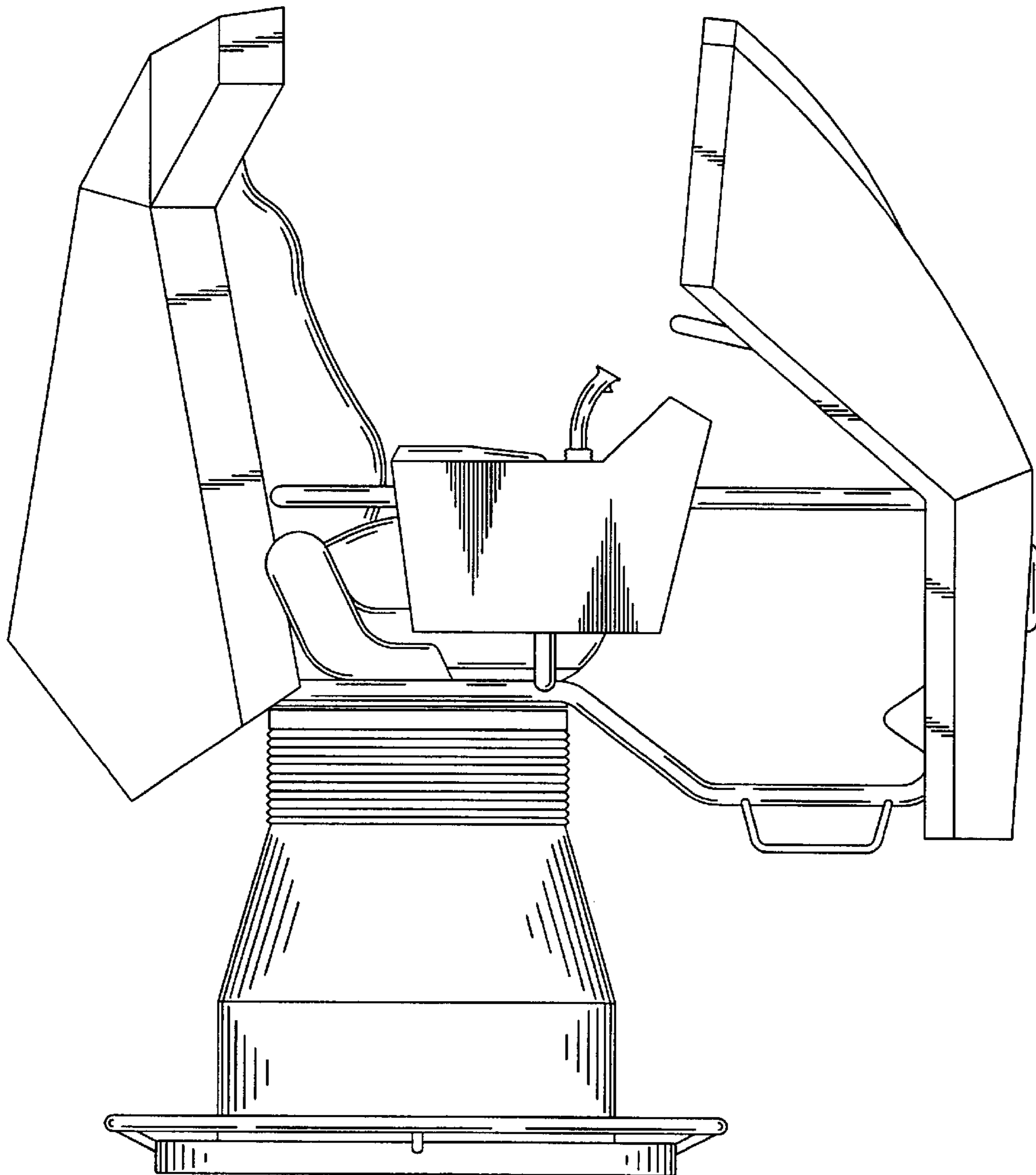


Fig. 7

