



US00D483072S

(12) **United States Design Patent**
Atsuta

(10) **Patent No.:** **US D483,072 S**

(45) **Date of Patent:** **** Dec. 2, 2003**

(54) **VENDING MACHINE ISLAND**

(75) Inventor: **Junichi Atsuta, Katsushika-ku (JP)**

(73) Assignee: **Tomy Company, Ltd., Tokyo (JP)**

(**) Term: **14 Years**

(21) Appl. No.: **29/164,114**

(22) Filed: **Jul. 19, 2002**

(30) **Foreign Application Priority Data**

Jan. 23, 2002 (JP) 2002-001418

(51) **LOC (7) Cl.** **20-01**

(52) **U.S. Cl.** **D20/4**

(58) **Field of Search** D20/1-9; D6/515;
D7/590, 592; D9/339; D21/325, 369, 374;
40/1, 312; 141/104; 194/245, 247, 255,
258, 281, 350; 221/155, 208, 240, 245;
222/135, 144, 144.5, 145.1; 273/447, 448;
312/114

(56) **References Cited**

U.S. PATENT DOCUMENTS

622,624 A * 4/1899 Hewit 141/112

D90,652 S * 9/1933 Gilmer D20/4
D370,030 S * 5/1996 Wingate et al. D20/1
D371,392 S * 7/1996 Wingate et al. D20/1
D421,629 S * 3/2000 Sakata D20/4
D439,617 S * 3/2001 Schwarzli D20/7
D445,458 S * 7/2001 Tomioka D20/1

* cited by examiner

Primary Examiner—Robert M. Spear

(74) *Attorney, Agent, or Firm*—Oliff & Berridge, PLC

(57) **CLAIM**

The ornamental design for vending machine island, as shown and described.

DESCRIPTION

FIG. 1 is a perspective view of a vending machine island; FIG. 2 is a front view thereof; FIG. 3 is a rear view thereof; FIG. 4 is a top view thereof; FIG. 5 is a bottom view thereof; FIG. 6 is a right side view thereof; and, FIG. 7 is a left side view thereof.

The broken lines in the drawings depict environmental structure which forms not part of the claimed design.

1 Claim, 6 Drawing Sheets

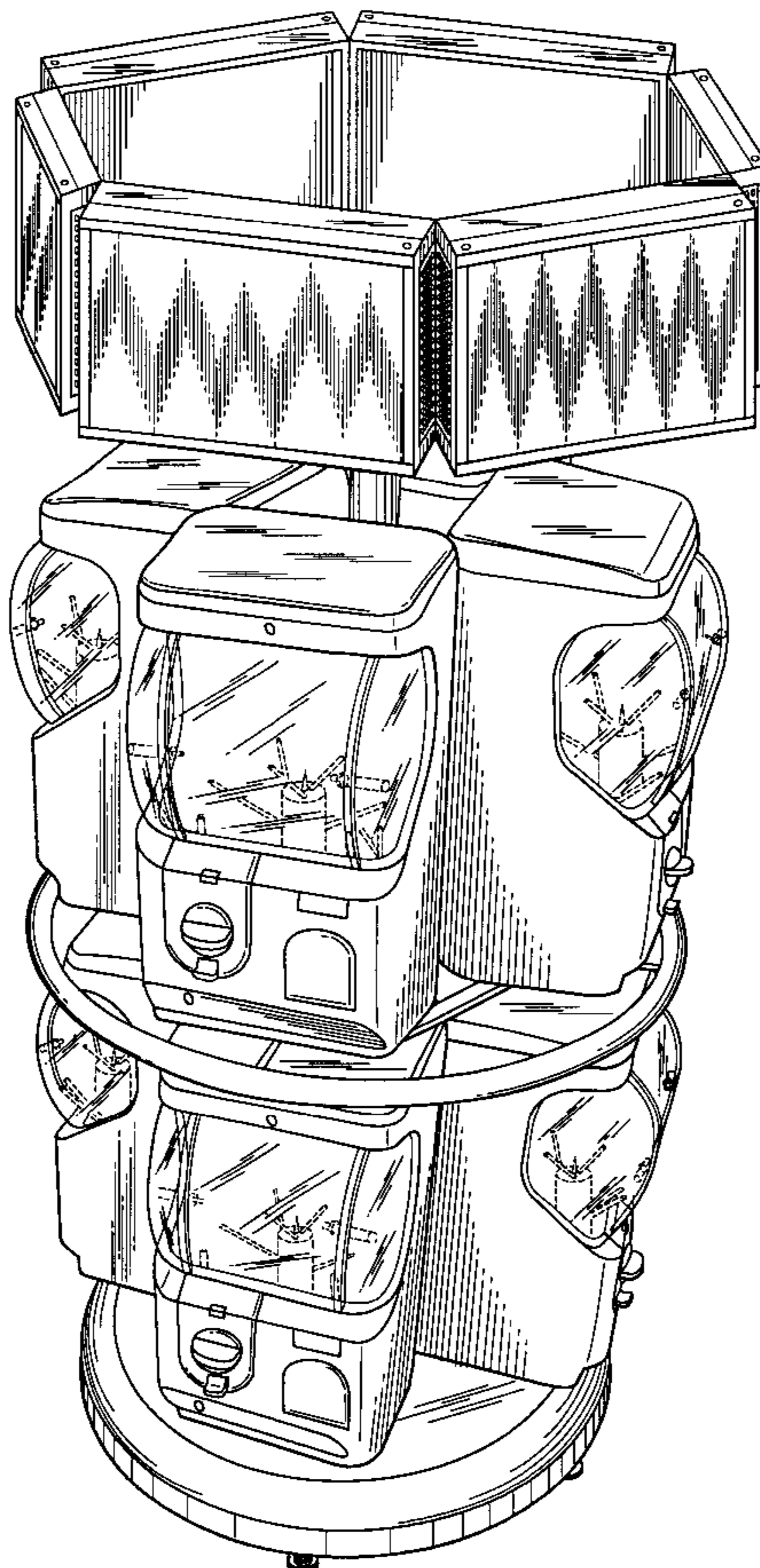


FIG. 1

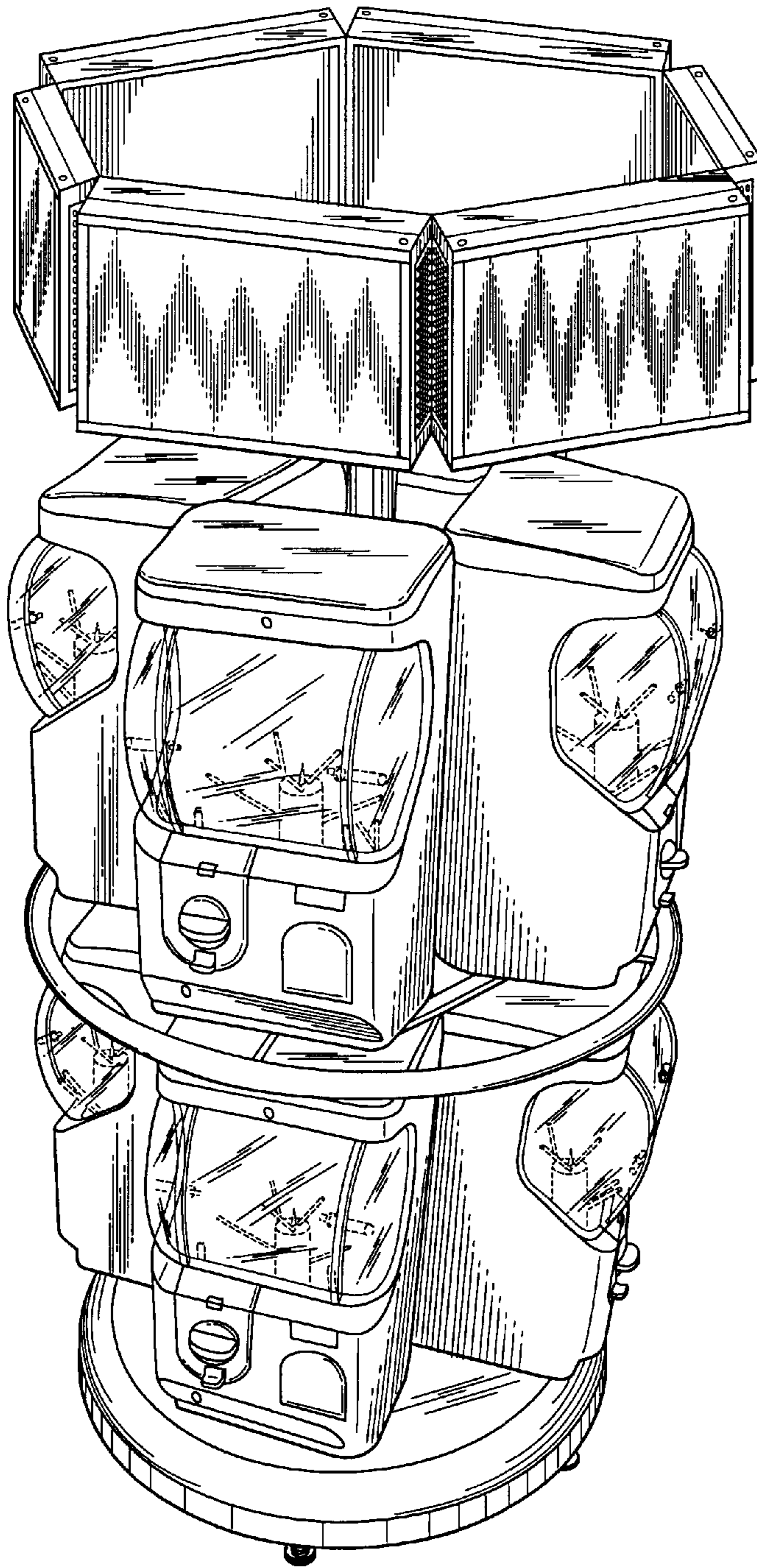


FIG. 2

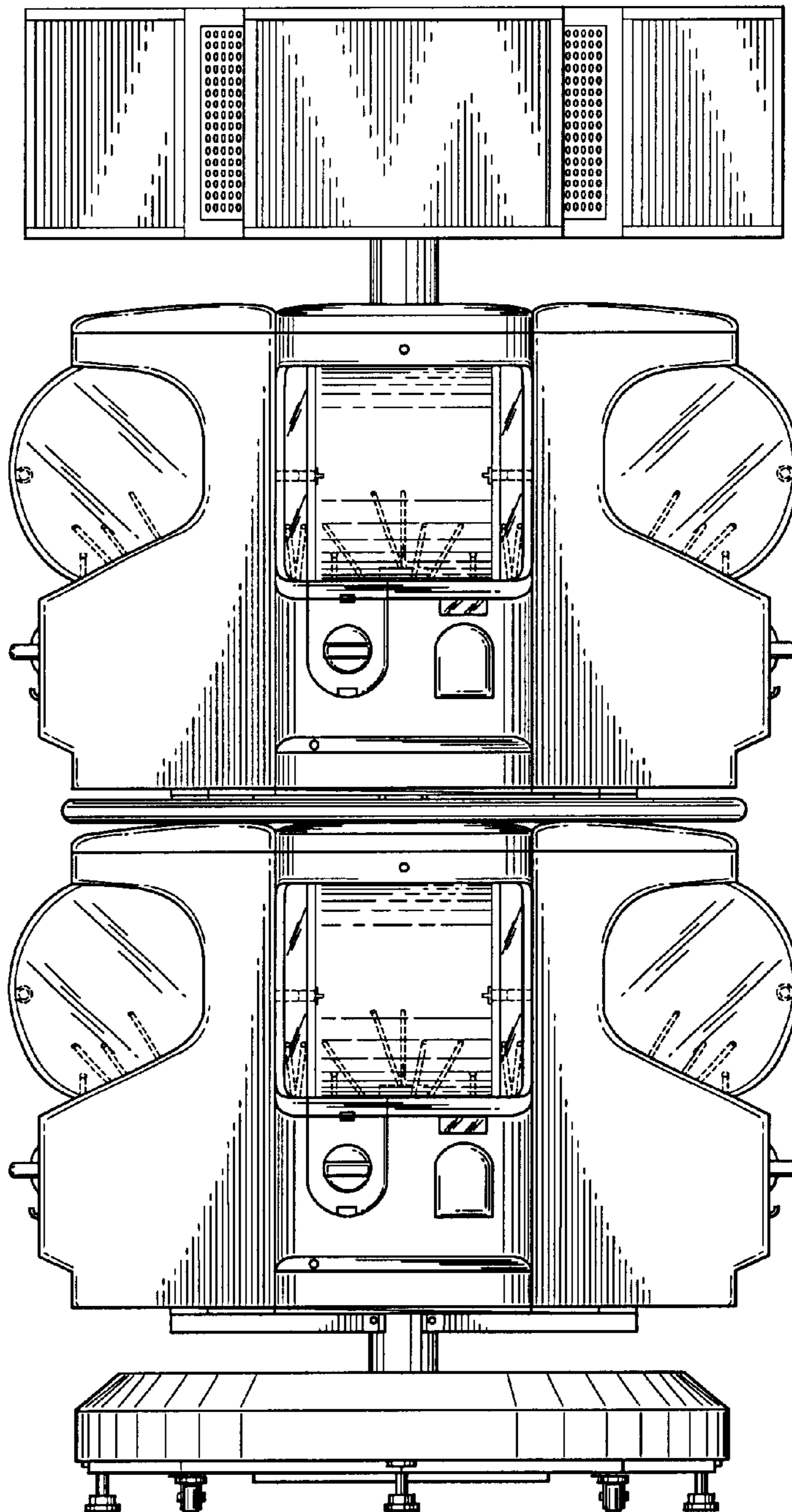


FIG. 3

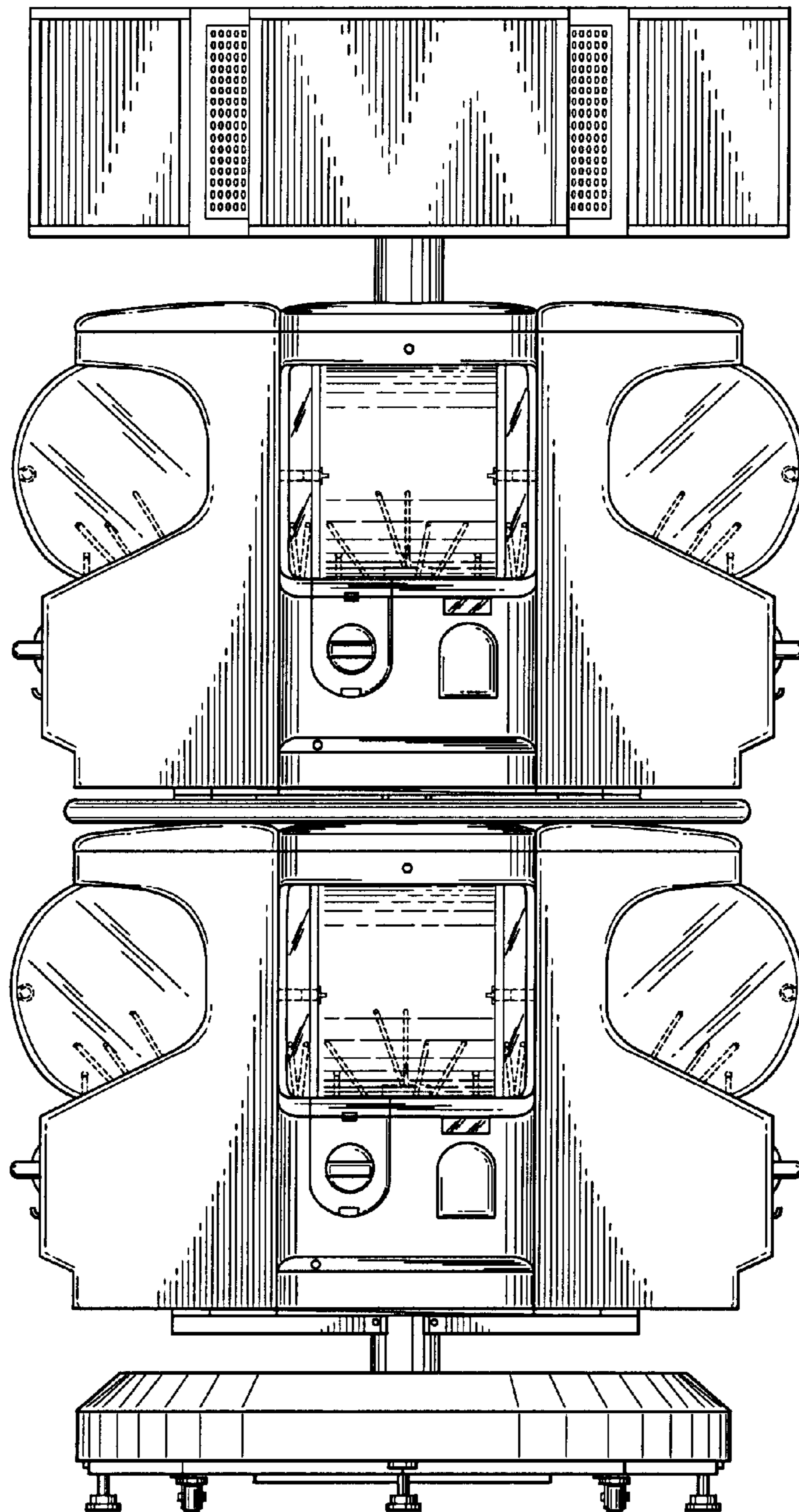


FIG. 4

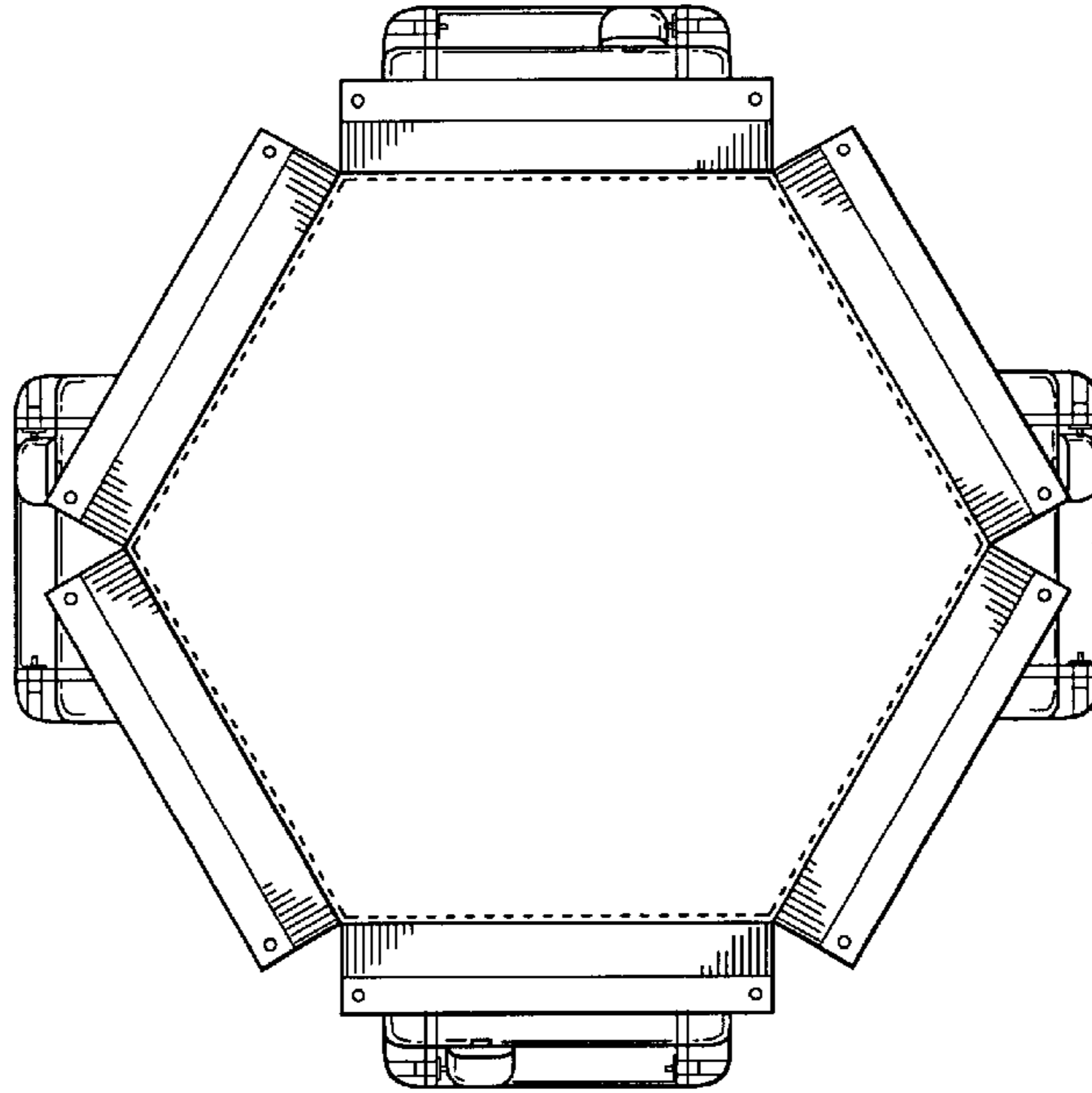


FIG. 5

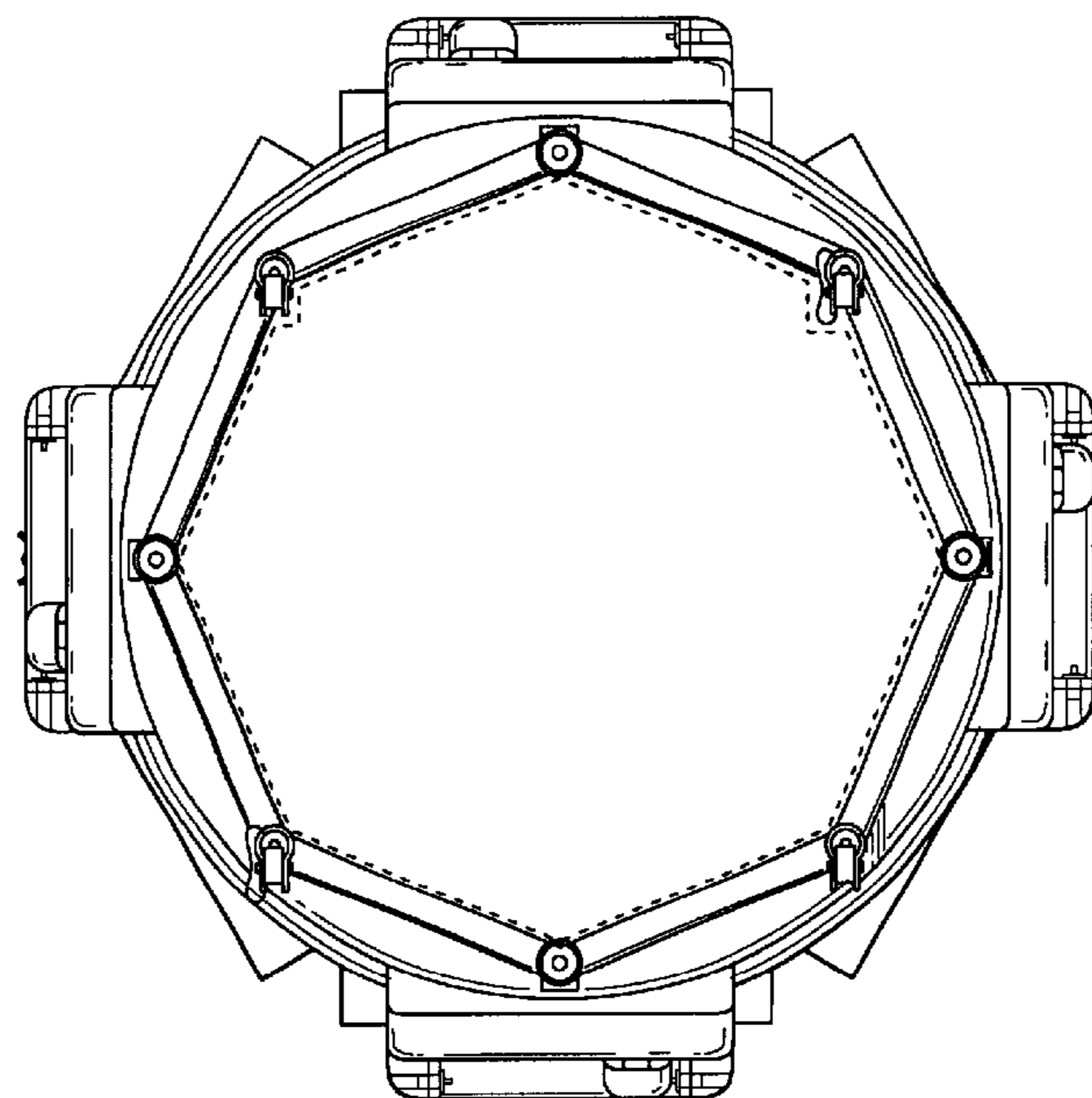


FIG. 6

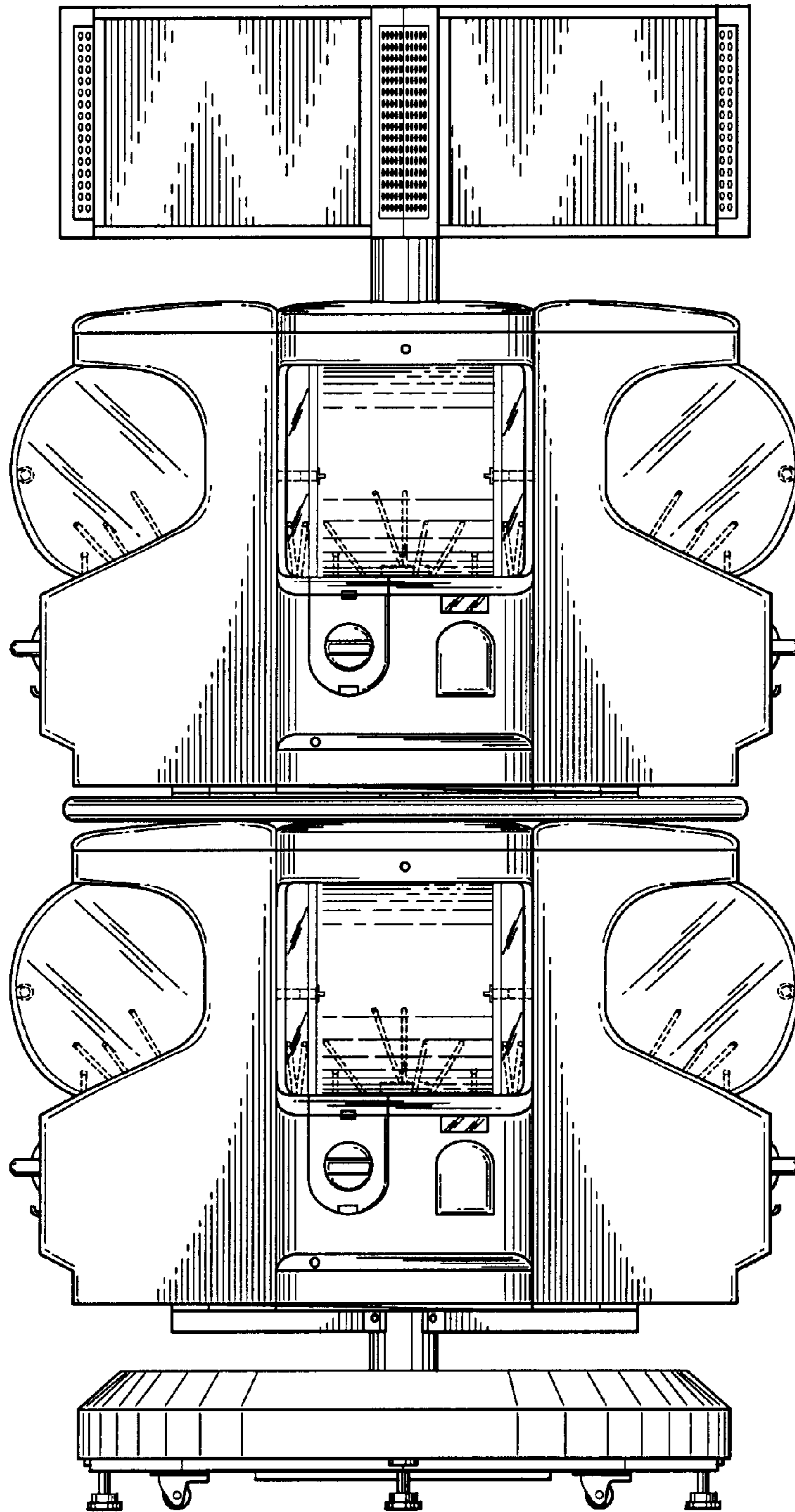


FIG. 7

